



US00D845662S

(12) **United States Design Patent**  
**Ghiorghie**

(10) **Patent No.:** **US D845,662 S**

(45) **Date of Patent:** **\*\* Apr. 16, 2019**

(54) **HOLDER**

(71) Applicant: **InterDesign, Inc.**, Solon, OH (US)

(72) Inventor: **Radu Alexandru Ghiorghie**, Copley, OH (US)

(73) Assignee: **InterDesign, Inc.**, Solon, OH (US)

(\*\*) Term: **15 Years**

(21) Appl. No.: **29/602,868**

(22) Filed: **May 4, 2017**

**Related U.S. Application Data**

(63) Continuation of application No. 29/531,198, filed on Jun. 24, 2015, now Pat. No. Des. 790,247.

(51) **LOC (11) Cl.** ..... **23-02**

(52) **U.S. Cl.**  
USPC ..... **D6/525**

(58) **Field of Classification Search**

USPC ..... D6/525, 512, 524, 552, 567, 304, 314, D6/534, 536, 553, 540, 566; 206/77.1, 206/207, 581, 349, 557, 823, 134, 126, 206/106; D32/52, 55; D34/7; 211/13.1, 211/71.01, 74, 75, 86.01, 126.1, 133.5, 211/134, 181.1

CPC ..... A47K 1/09; A47K 3/281; A47K 10/16; A47K 2201/00; A47K 5/05; A47K 5/18

See application file for complete search history.

(56) **References Cited**

U.S. PATENT DOCUMENTS

D481,894 S *	11/2003	Hunt	.....	D6/525
D577,913 S *	10/2008	Thompson	.....	D6/567
D679,528 S *	4/2013	Gilboe	.....	D6/525
D706,549 S *	6/2014	Cho	.....	D6/524

\* cited by examiner

*Primary Examiner* — Wan Laymon

*Assistant Examiner* — Mark Booker

(74) *Attorney, Agent, or Firm* — Calfee, Halter & Griswold, LLP

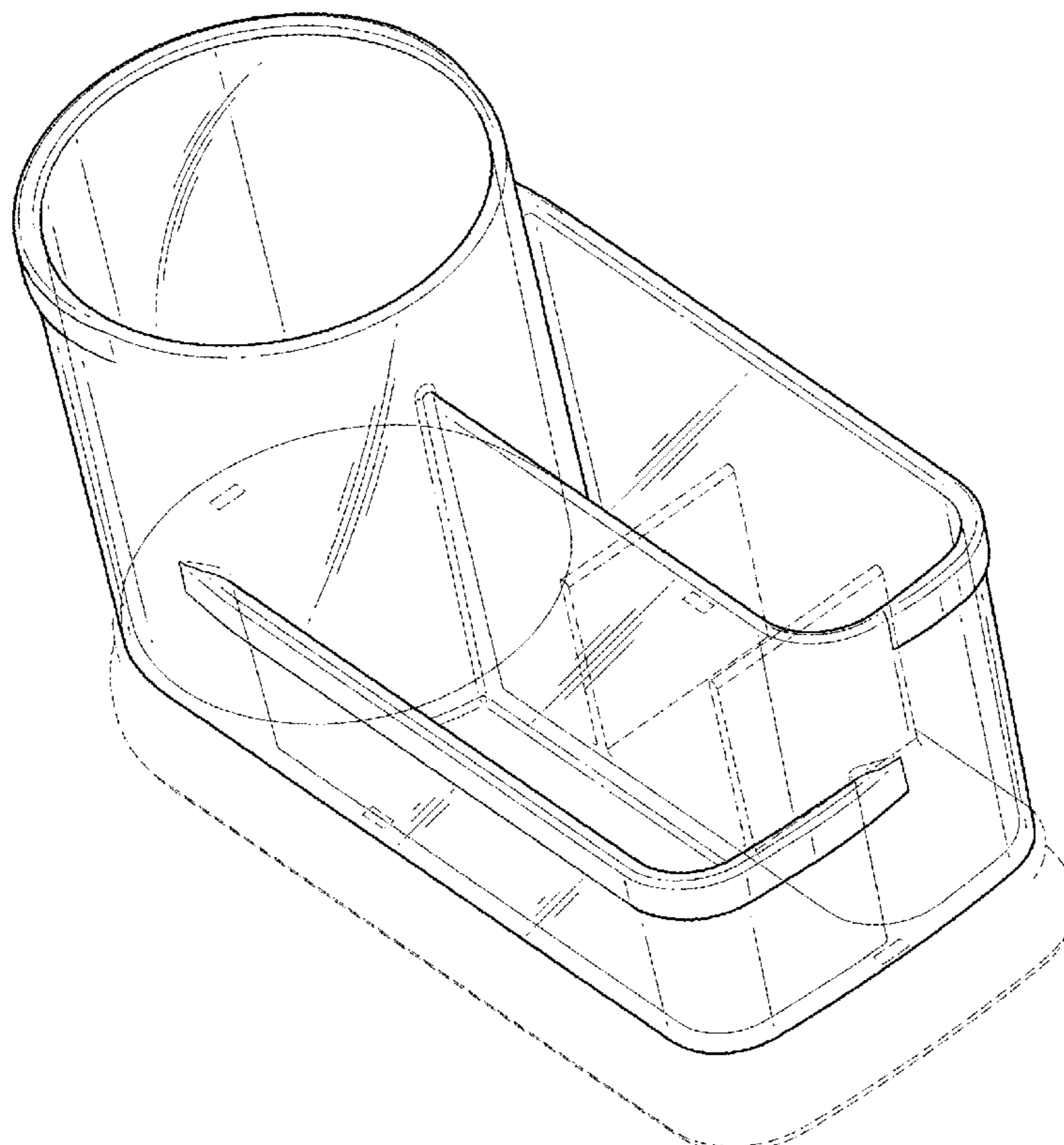
(57) **CLAIM**

I claim the ornamental design for a holder, as shown and described.

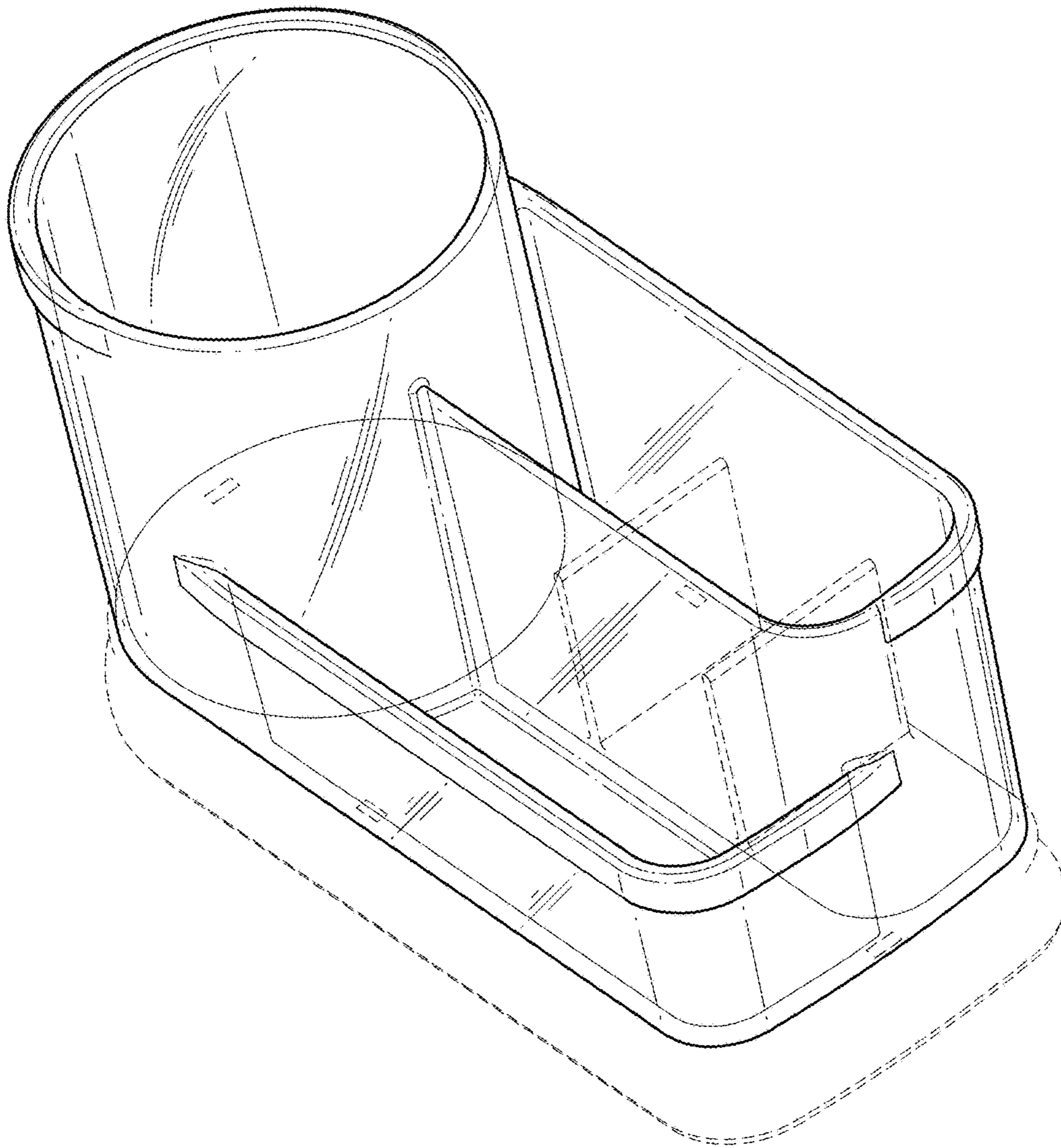
**DESCRIPTION**

FIG. 1 is a front/left/top perspective view of a holder; FIG. 2 is a rear/right/bottom perspective view thereof; FIG. 3 is a top plan view thereof; FIG. 4 is a front elevational view thereof; FIG. 5 is a rear elevational view thereof; FIG. 6 is a left side elevational view thereof; and, FIG. 7 is a right side elevational view thereof. The broken lines shown in the figures represent portions of the holder that form no part of the claimed design.

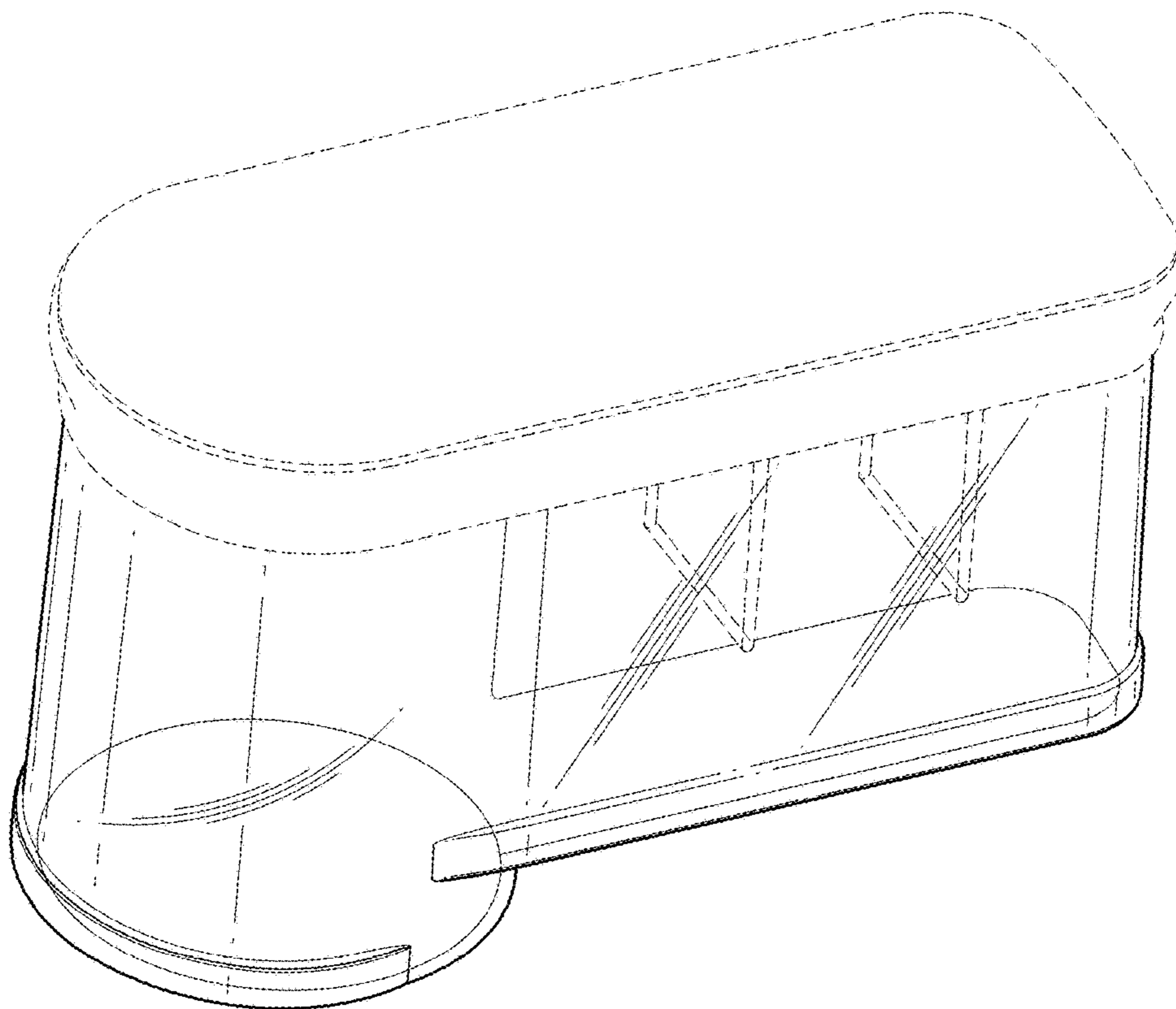
**1 Claim, 5 Drawing Sheets**



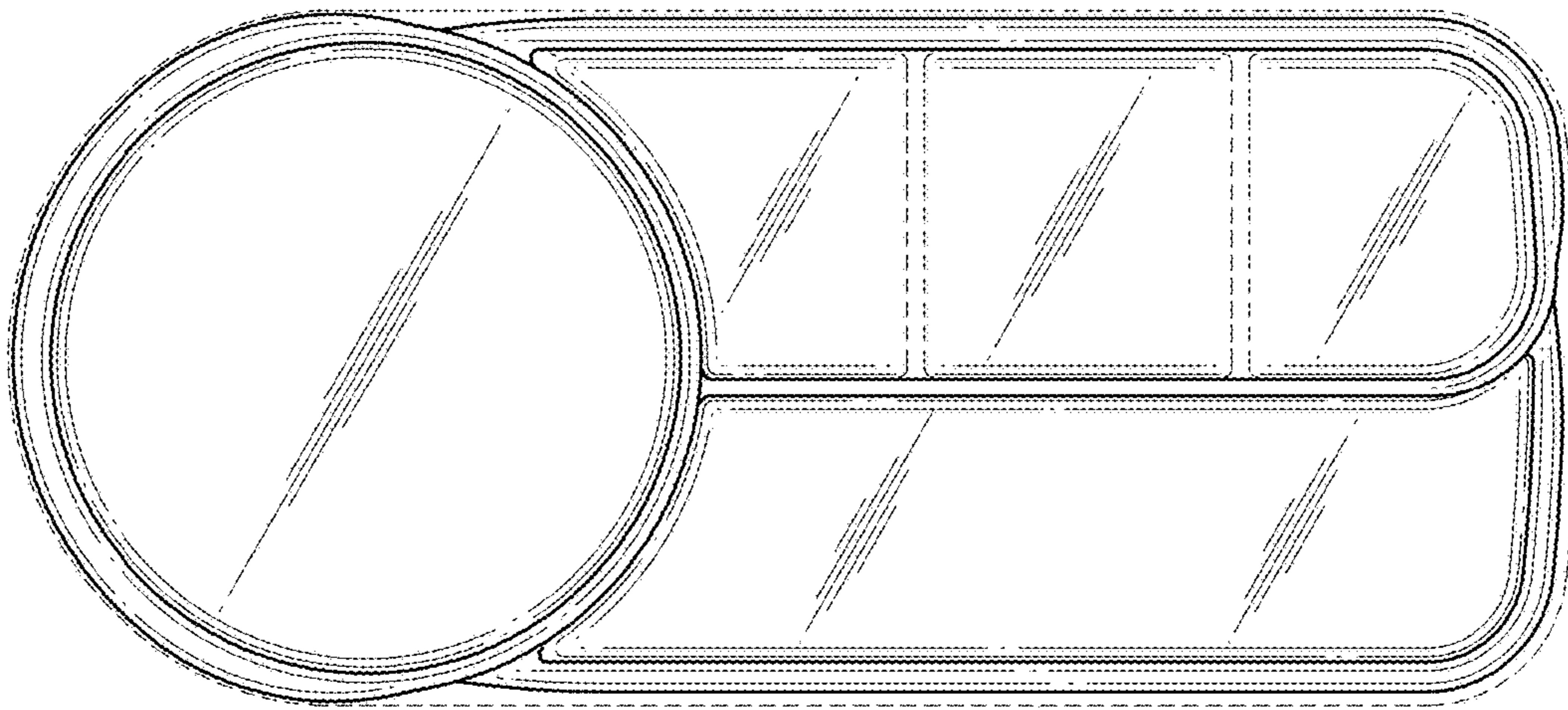
**FIG. 1**



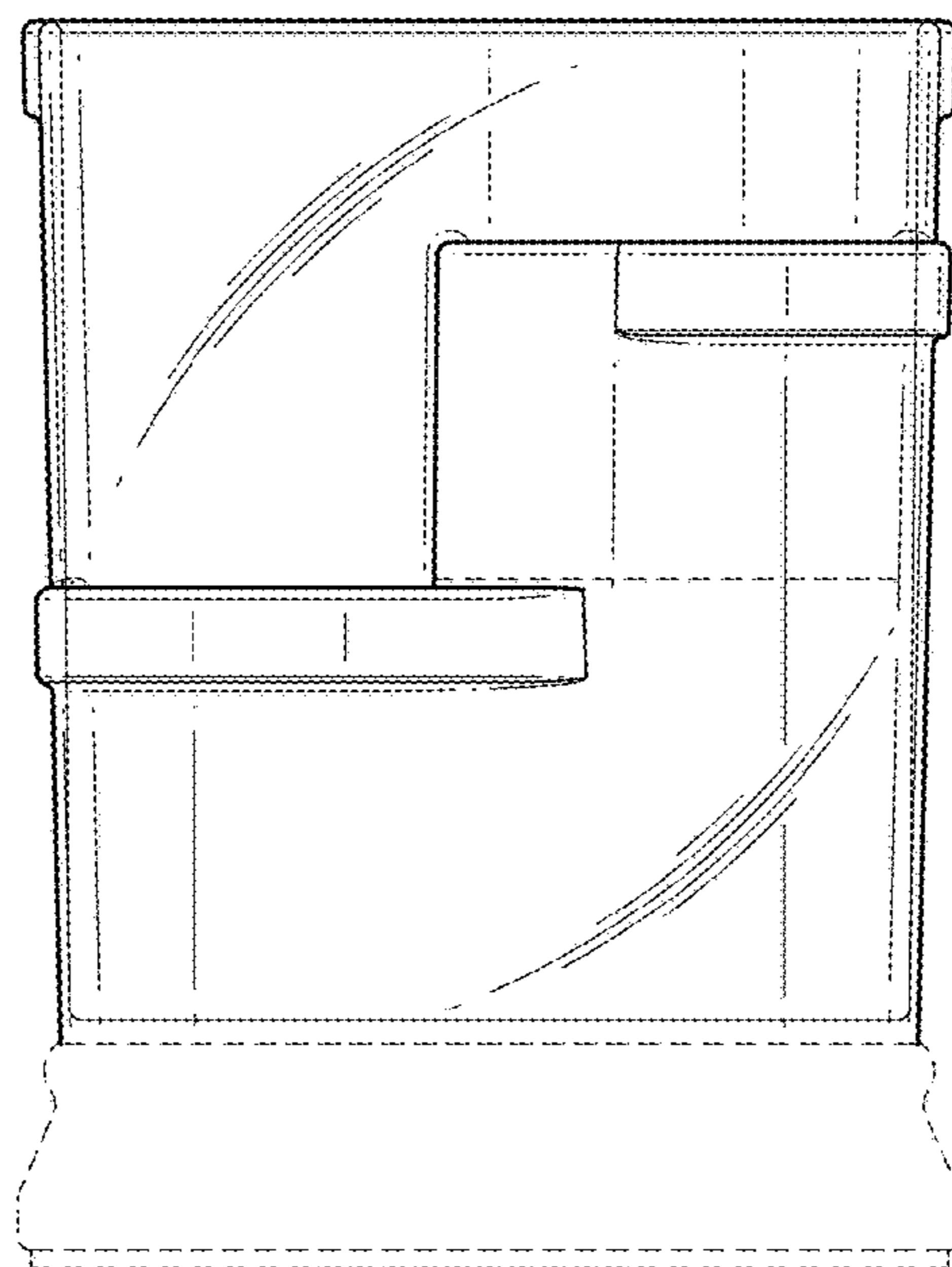
**FIG. 2**



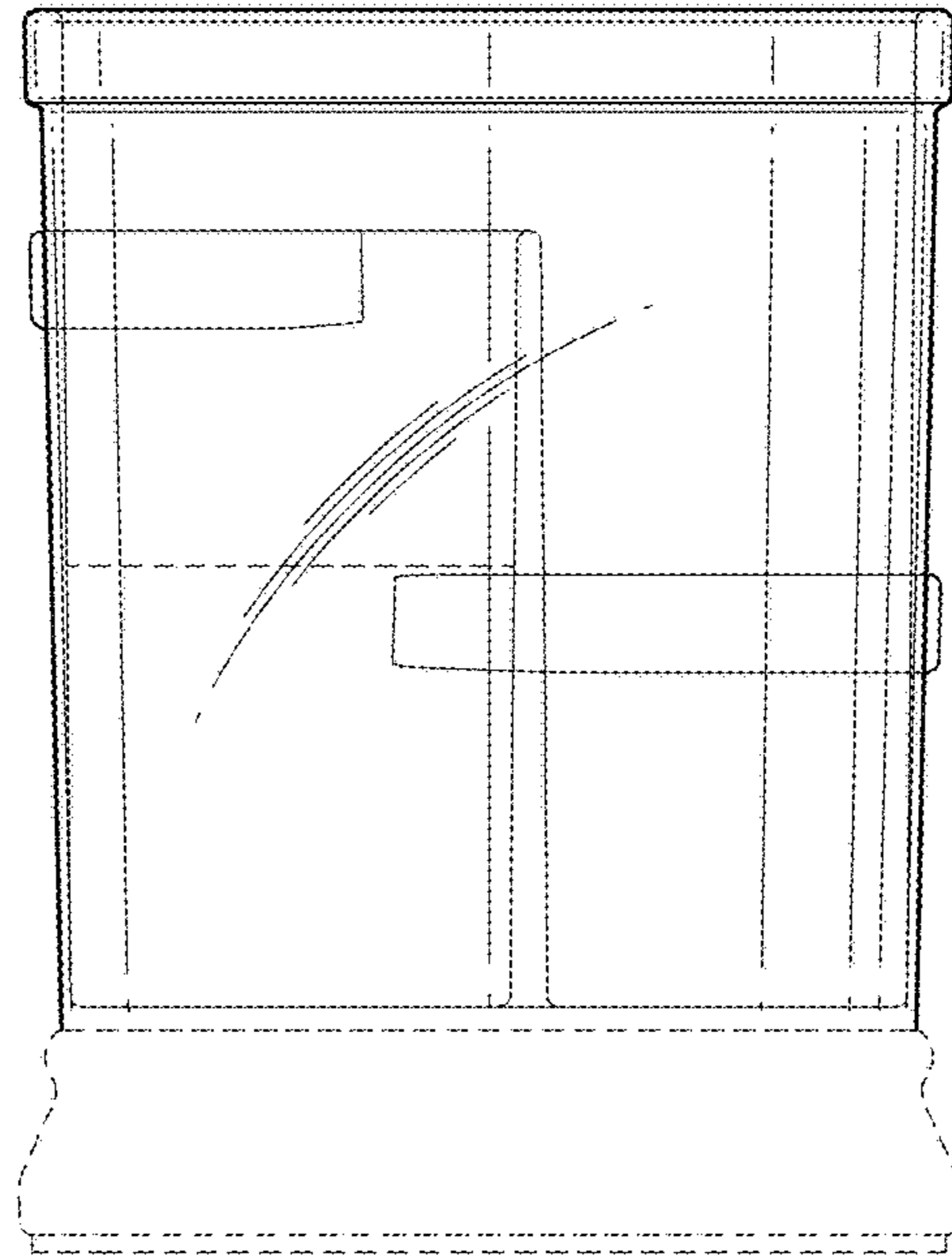
**FIG. 3**



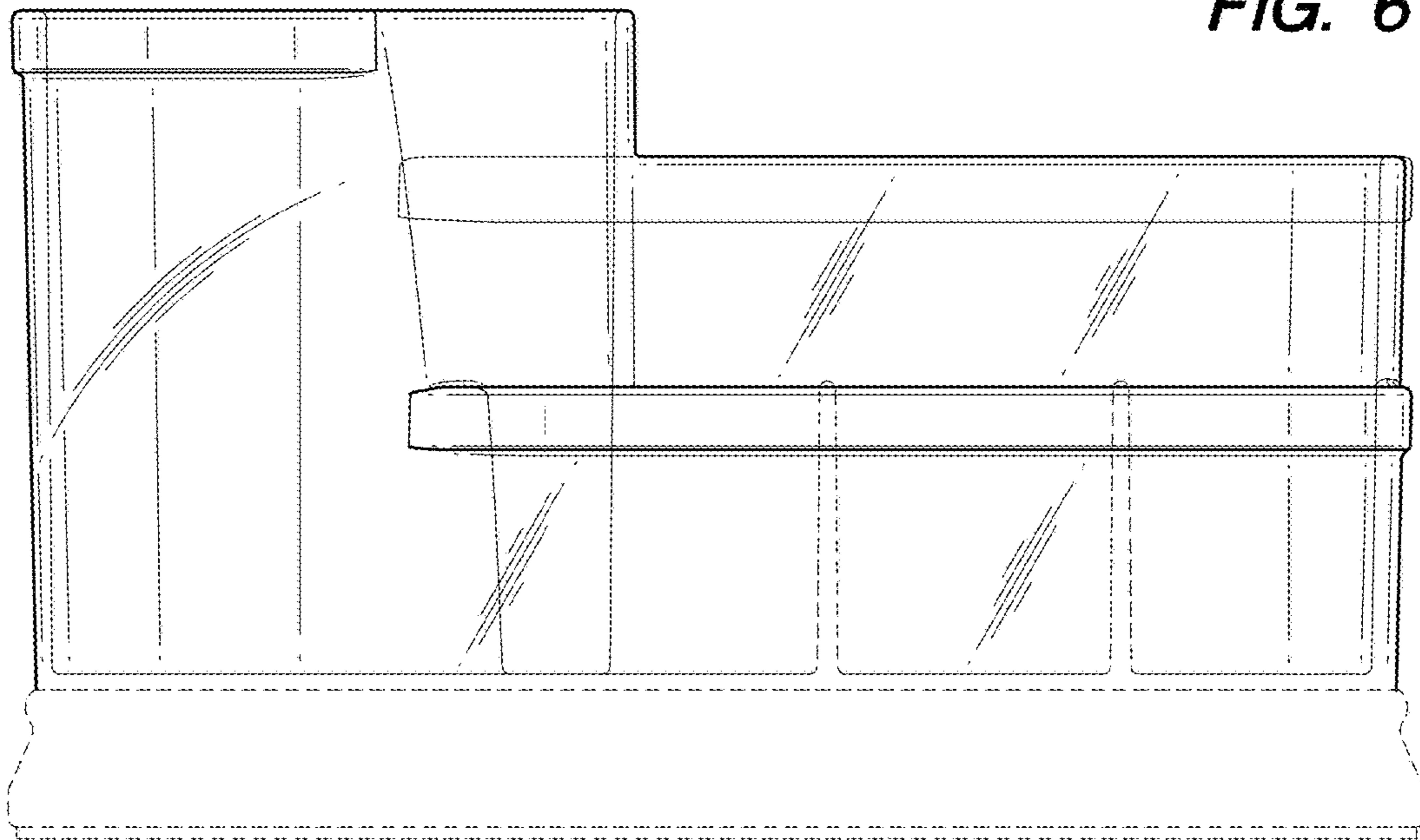
**FIG. 4**



**FIG. 5**



**FIG. 6**



**FIG. 7**

