



US00D845657S

(12) **United States Design Patent** (10) **Patent No.:** **US D845,657 S**  
**Balliu Falgueras et al.** (45) **Date of Patent:** **\*\* Apr. 16, 2019**

(54) **CHAISE LONGUES**  
(71) Applicant: **TRUST WORLD NETWORK, S.L.**  
(72) Inventors: **Carme Balliu Falgueras, Girona (ES);  
Josep Balliu Falgueras, Girona (ES);  
Jordi Aguilar Ribas, Girona (ES)**  
(73) Assignee: **TRUST WORLD NETWORK, S.L.,  
Caldes de Malavella (ES)**

D358,496 S \* 5/1995 Walters ..... D6/361  
D427,443 S \* 7/2000 Hand ..... D6/361  
D509,967 S \* 9/2005 Nardi ..... D6/361  
D513,368 S \* 1/2006 Nardi ..... D6/361  
D518,655 S \* 4/2006 Grosfillex ..... D6/361  
7,134,712 B2 \* 11/2006 Piretti ..... A47C 1/143  
297/29  
D739,154 S \* 9/2015 Eliyahu ..... D6/361  
D825,213 S \* 8/2018 Sagnier ..... D6/361  
2003/0218372 A1 \* 11/2003 Balliu Falgueras ... A47C 1/143  
297/377

(Continued)

(\*\*) Term: **15 Years**  
(21) Appl. No.: **29/629,140**  
(22) Filed: **Dec. 12, 2017**  
(51) **LOC (11) Cl.** ..... **06-01**  
(52) **U.S. Cl.**  
USPC ..... **D6/361**  
(58) **Field of Classification Search**  
USPC ..... D6/334, 360, 361, 362, 364, 368, 369,  
D6/371, 377  
CPC ..... A47C 1/026; A47C 1/032; A47C 1/143;  
A47C 1/146; A47C 4/02; A47C 4/12;  
A47C 4/46; A47C 5/06; A47C 5/10;  
A47C 5/125; A47C 7/40; A47C 15/006;  
A47C 17/162; A47C 17/1753; A47C  
20/04; A47C 20/08; A47C 23/24; A47C  
31/11; Y10S 297/90  
See application file for complete search history.

**FOREIGN PATENT DOCUMENTS**

EP 1040777 A1 \* 10/2000 ..... A47C 1/143  
EP 1260160 A2 \* 11/2002 ..... A47C 1/143

**OTHER PUBLICATIONS**

“Pool Chairs Lounge—Pool Lounge Chairs Australia” Nov. 21,  
2015, youtube.com, site visited Dec. 20, 2018 <<https://www.youtube.com/watch?v=3CE3We7mkEU>> (Year: 2015).\*

*Primary Examiner* — Kevin R Rudzinski  
*Assistant Examiner* — Paul D Bohannon

(57) **CLAIM**

The ornamental design for chaise longues, as shown and described.

**DESCRIPTION**

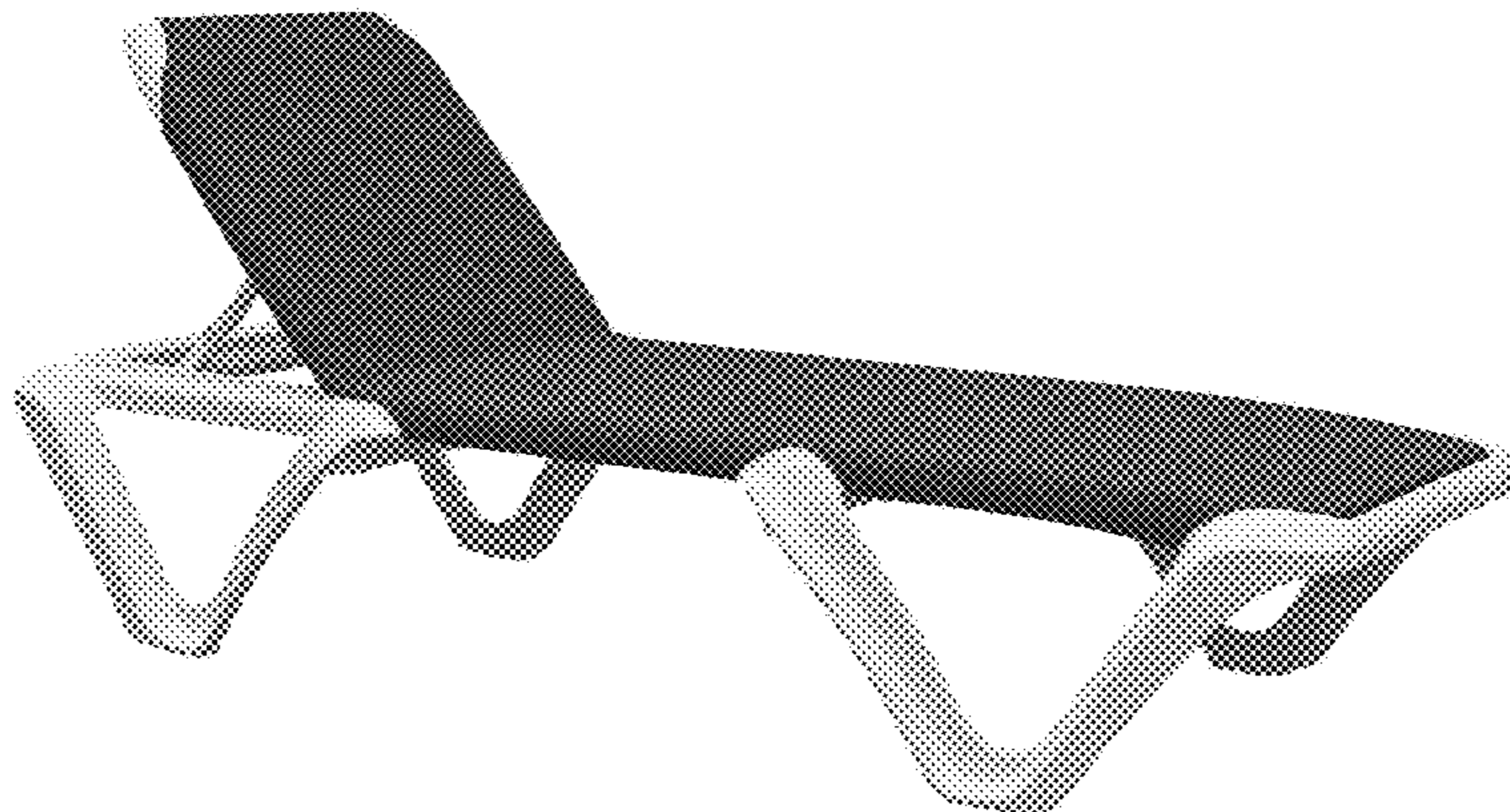
FIG. 1 is a perspective view of chaise longues, showing our new design;  
FIG. 2 is a left-side view of FIG. 1, showing the back rest in an alternate flat position of use;  
FIG. 3 is a right-side view of FIG. 1;  
FIG. 4 is a front view of FIG. 1, showing the back rest in an alternate flat position of use;  
FIG. 5 is a rear view of FIG. 1;  
FIG. 6 is a top view of FIG. 1; and,  
FIG. 7 is a bottom view of FIG. 1.

**1 Claim, 7 Drawing Sheets**

(56) **References Cited**

**U.S. PATENT DOCUMENTS**

3,306,659 A \* 2/1967 Greiner ..... A47C 1/032  
297/19  
D279,053 S \* 6/1985 Vanderminden ..... D6/361  
D302,768 S \* 8/1989 Grosfillex ..... D6/361  
D306,804 S \* 3/1990 Frinier ..... D6/361  
D327,377 S \* 6/1992 Grosfillex ..... D6/361  
D332,705 S \* 1/1993 Rougerie ..... D6/361  
5,297,850 A \* 3/1994 Guleserian ..... A47C 1/143  
297/377



(56)

**References Cited**

U.S. PATENT DOCUMENTS

2009/0127909	A1 *	5/2009	Caldwell .....	A47C 1/143 297/354.12
2012/0223549	A1 *	9/2012	Broyles .....	A47C 1/143 297/180.15

\* cited by examiner

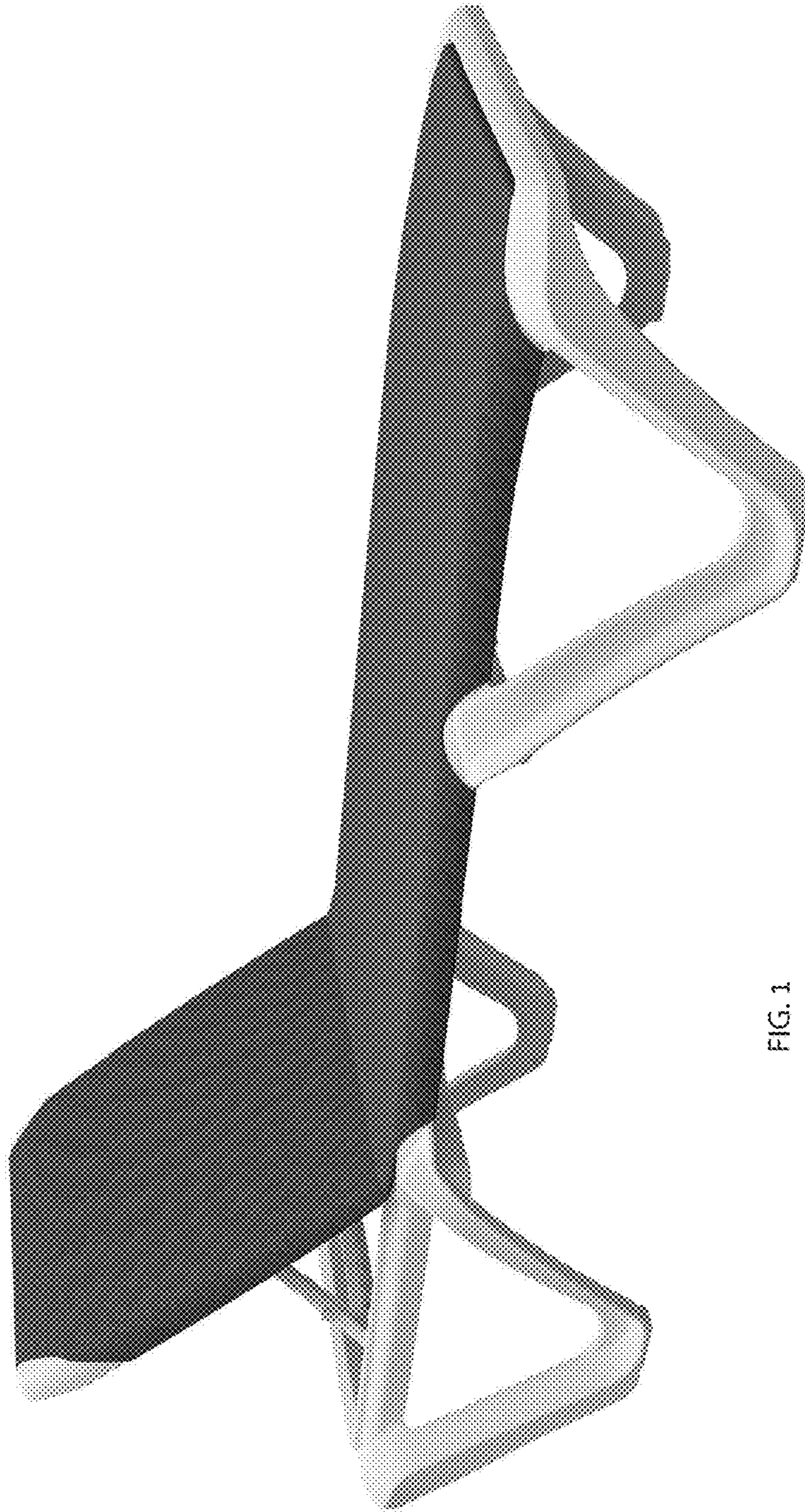


FIG. 1

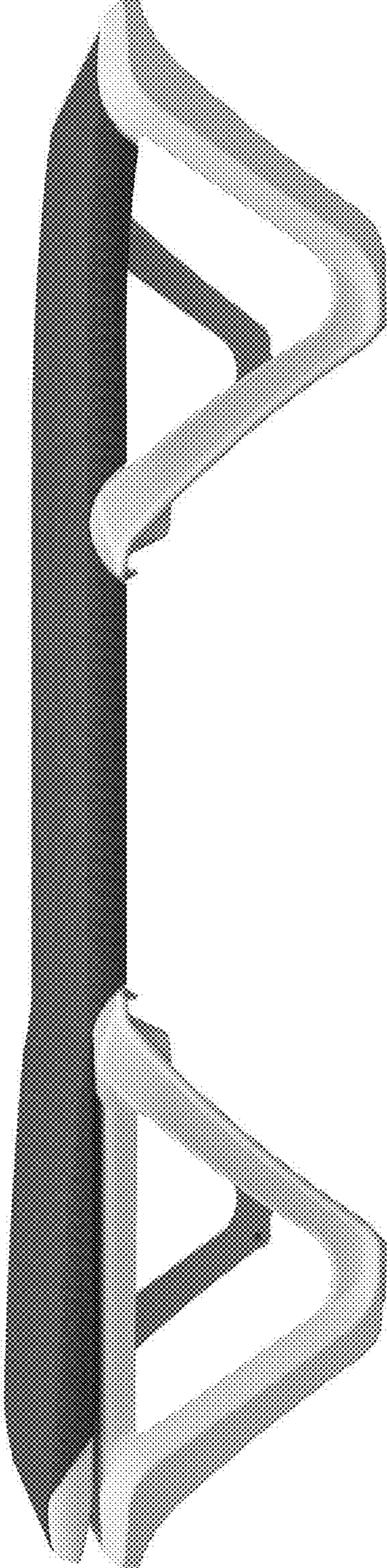


FIG. 2

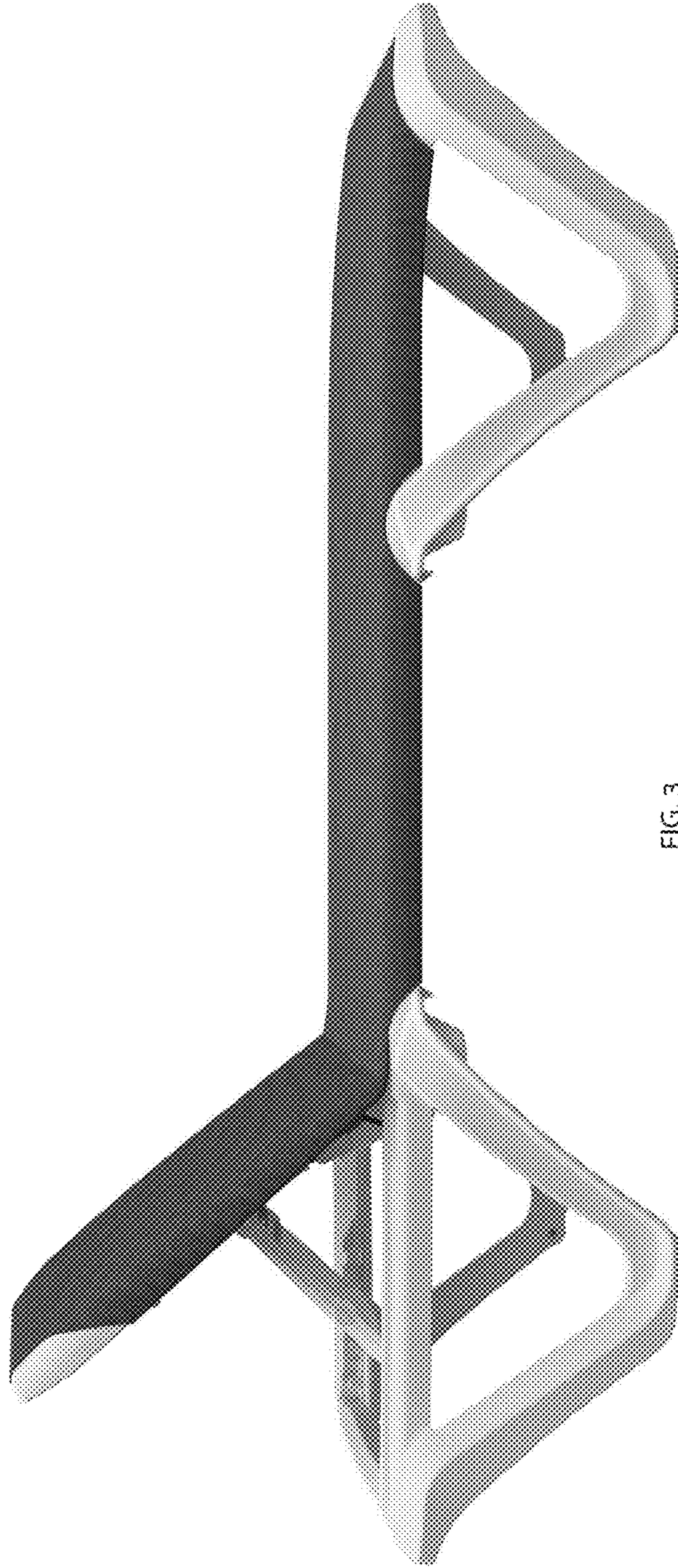


FIG. 3

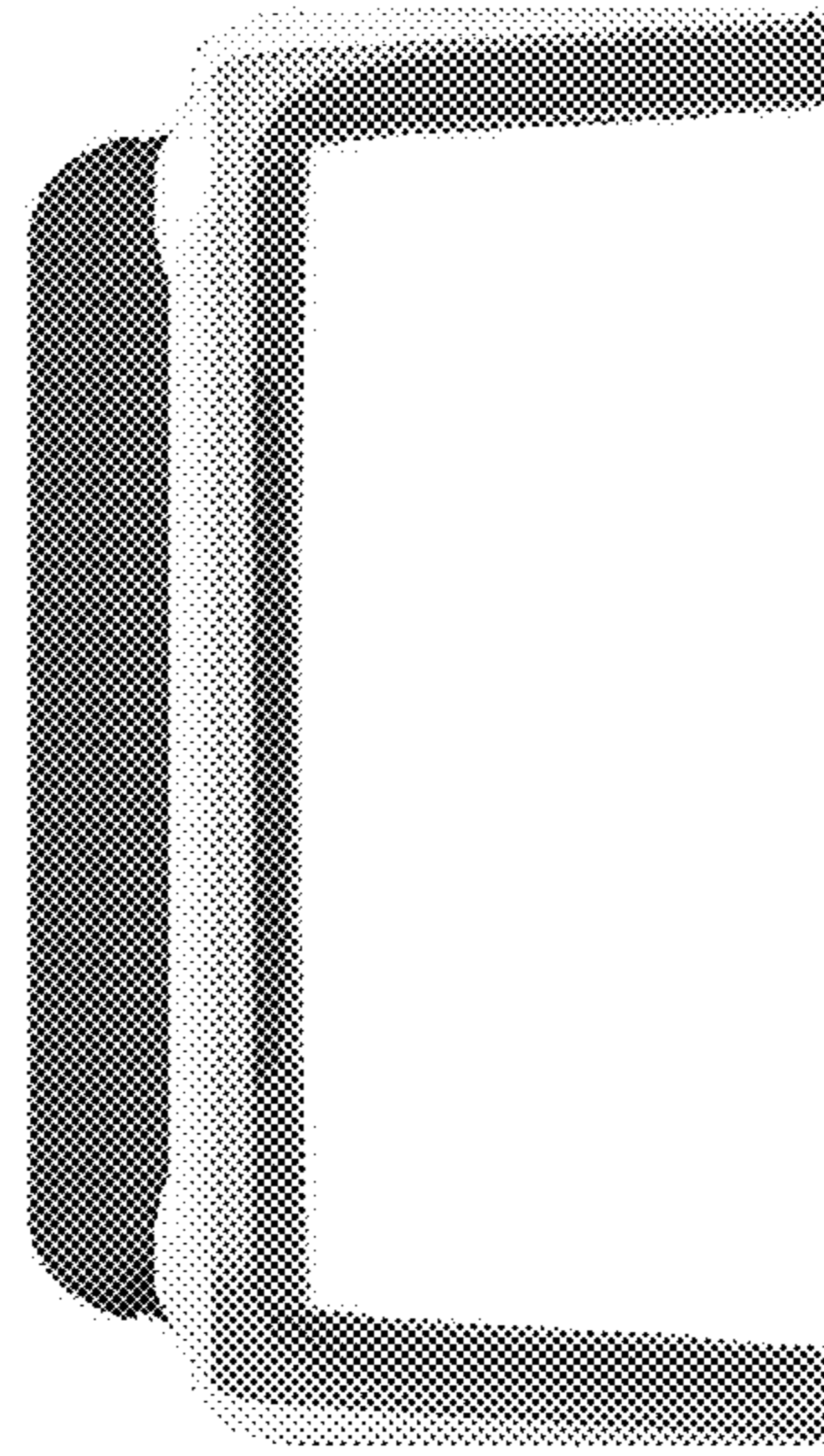


FIG. 4

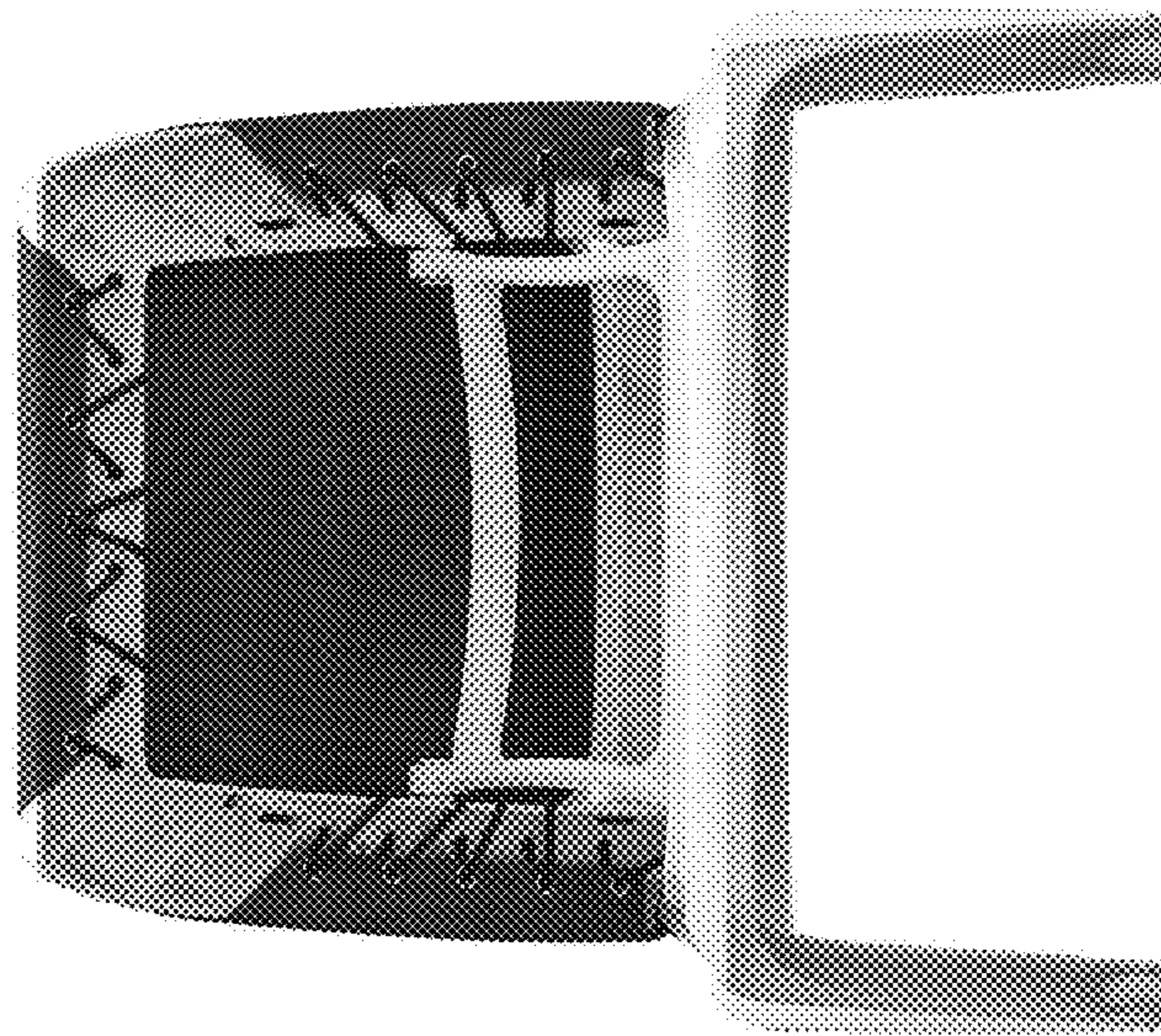


FIG. 5

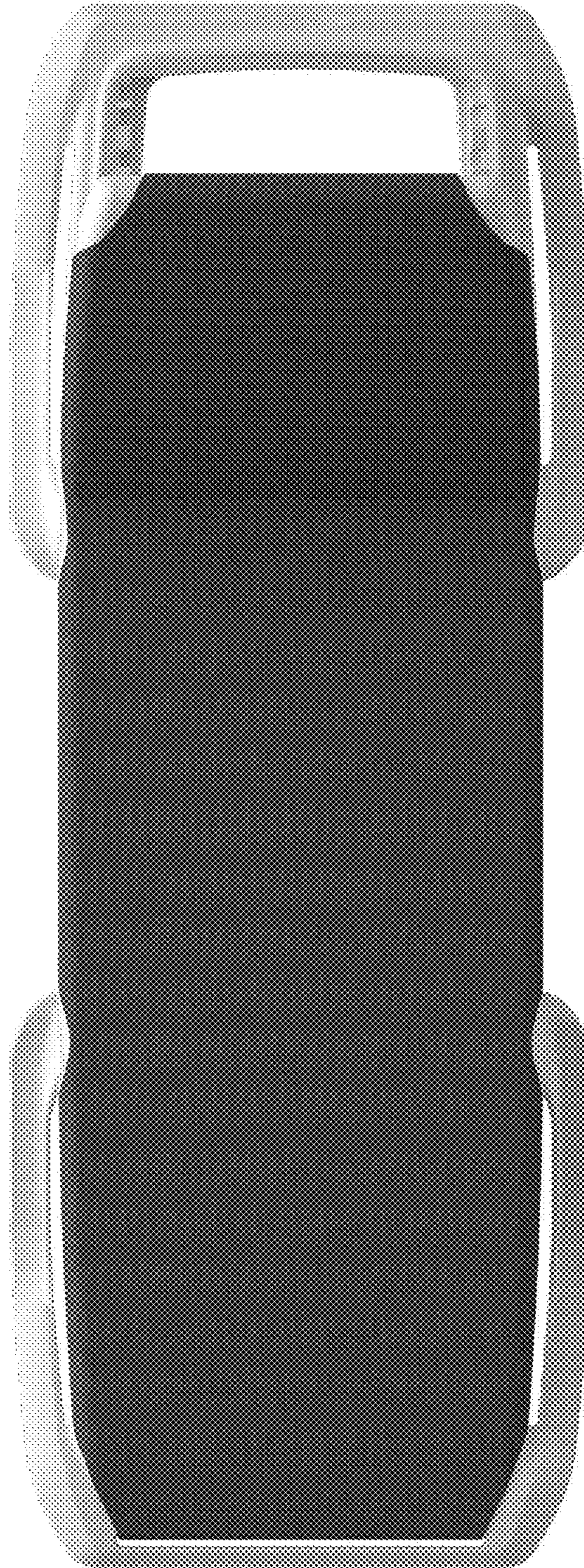


FIG. 6



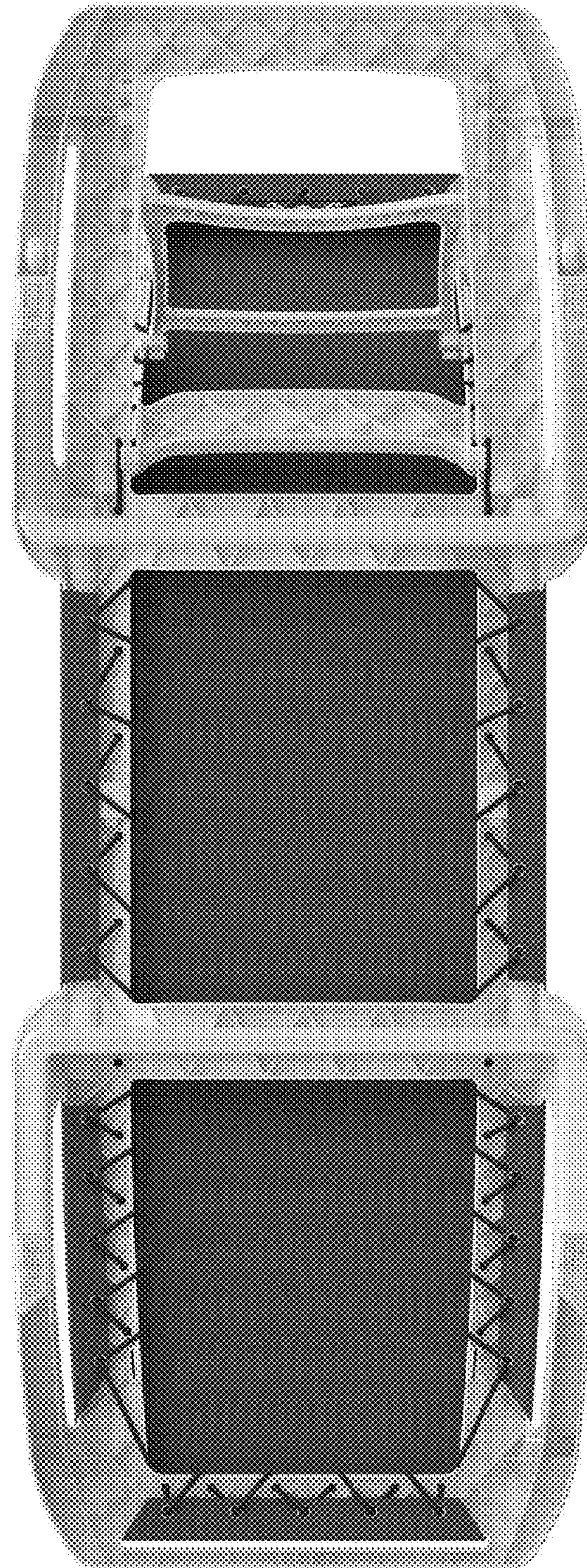


FIG. 7