



US00D845656S

(12) **United States Design Patent**
McDonald

(10) **Patent No.:** **US D845,656 S**

(45) **Date of Patent:** **** Apr. 16, 2019**

(54) **SUSPENDED CHAIR**

(71) Applicant: **Nicholas McDonald**, Devon (GB)

(72) Inventor: **Nicholas McDonald**, Devon (GB)

(**) Term: **15 Years**

(21) Appl. No.: **29/601,305**

(22) Filed: **Apr. 20, 2017**

(30) **Foreign Application Priority Data**

Oct. 31, 2016 (GB) 6002161

(51) **LOC (11) Cl.** **06-01**

(52) **U.S. Cl.**
USPC **D6/347**

(58) **Field of Classification Search**
USPC D6/344, 345, 346, 347, 348, 349, 715,
D6/716, 718.1, 718.11, 716.1, 385, 386,
D6/358, 388, 369, 381
CPC ... A63G 9/00; A63G 9/02; A63G 9/04; A63G
9/14; A47C 3/0255; A47C 5/02
See application file for complete search history.

(56) **References Cited**

U.S. PATENT DOCUMENTS

D249,753 S * 10/1978 Pratt D6/347
D660,034 S * 5/2012 Frety D6/369

D679,104 S * 4/2013 Pouzet D6/347
D682,565 S * 5/2013 McDonald D6/347
D738,637 S * 9/2015 Dean D6/347
9,254,446 B2 * 2/2016 Lacy A63H 33/008
D752,725 S * 3/2016 Davis D21/838
D760,506 S * 7/2016 McDonald D6/347
D781,061 S * 3/2017 Merritt D6/347
9,630,119 B2 * 4/2017 Fries A63H 33/008
D804,835 S * 12/2017 Wehner D6/347
D807,657 S * 1/2018 Zhang D6/347
2010/0252083 A1 * 10/2010 Ogle E04H 15/04
135/90

* cited by examiner

Primary Examiner — Deanna L Pratt

(74) *Attorney, Agent, or Firm* — Mark M. Friedman

(57) **CLAIM**

The ornamental design for suspended chair, as shown.

DESCRIPTION

FIG. 1 is a right side view of suspended chair showing my design;
FIG. 2 is a left side view thereof;
FIG. 3 is a front view thereof;
FIG. 4 is a back view thereof;
FIG. 5 is a top view thereof;
FIG. 6 is a bottom view thereof; and,
FIG. 7 is a perspective view thereof.

1 Claim, 7 Drawing Sheets

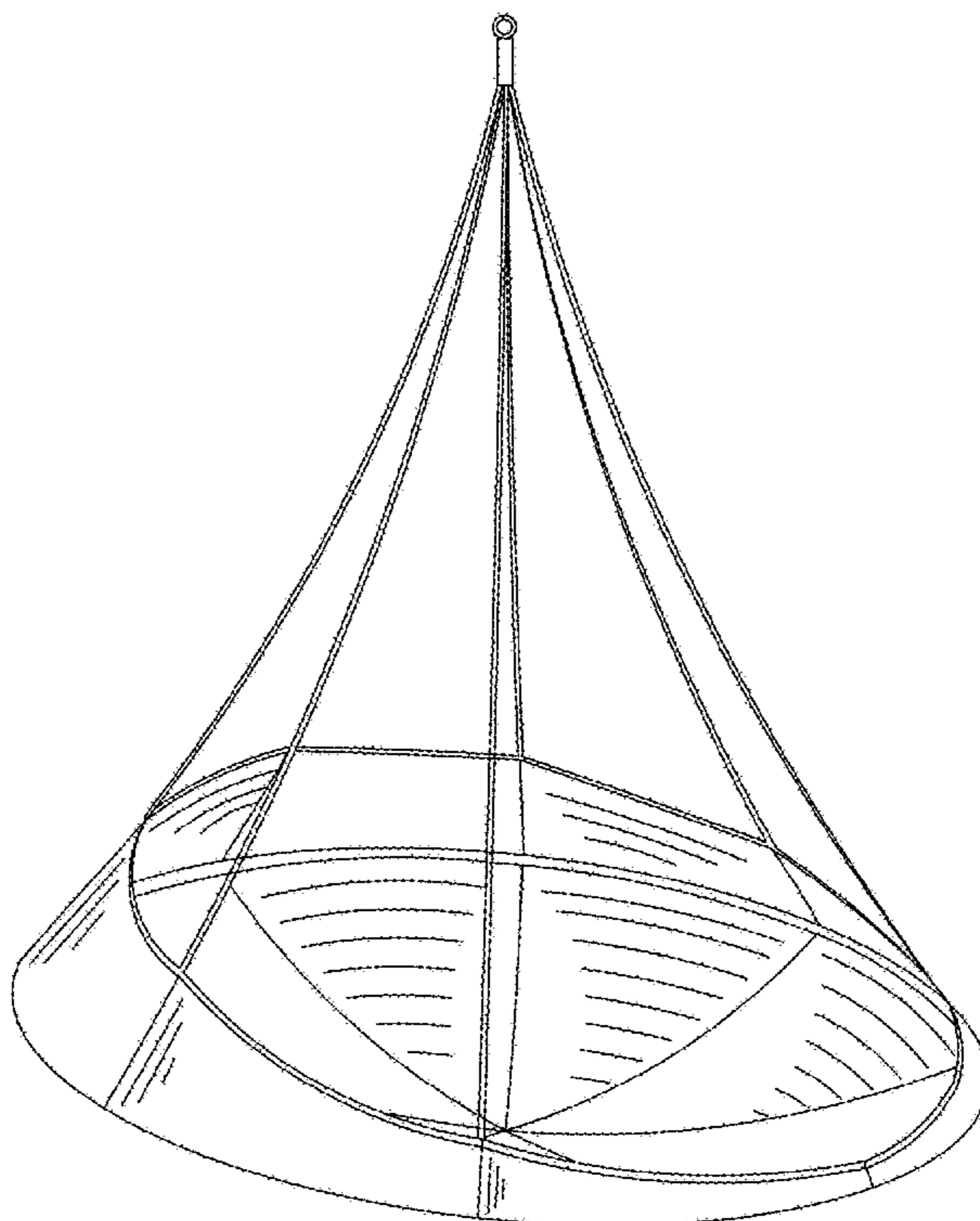


Figure 1

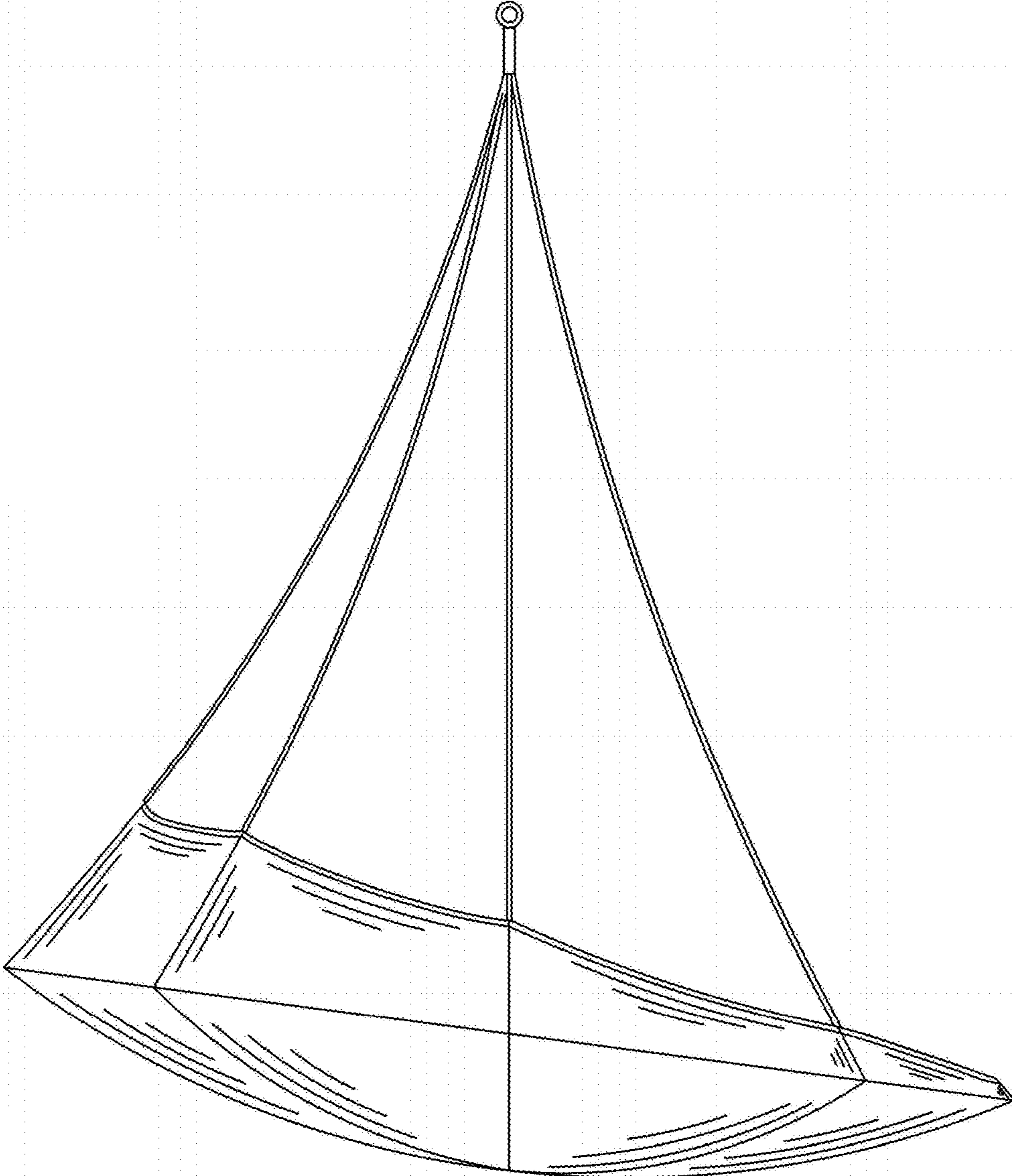


Figure 2

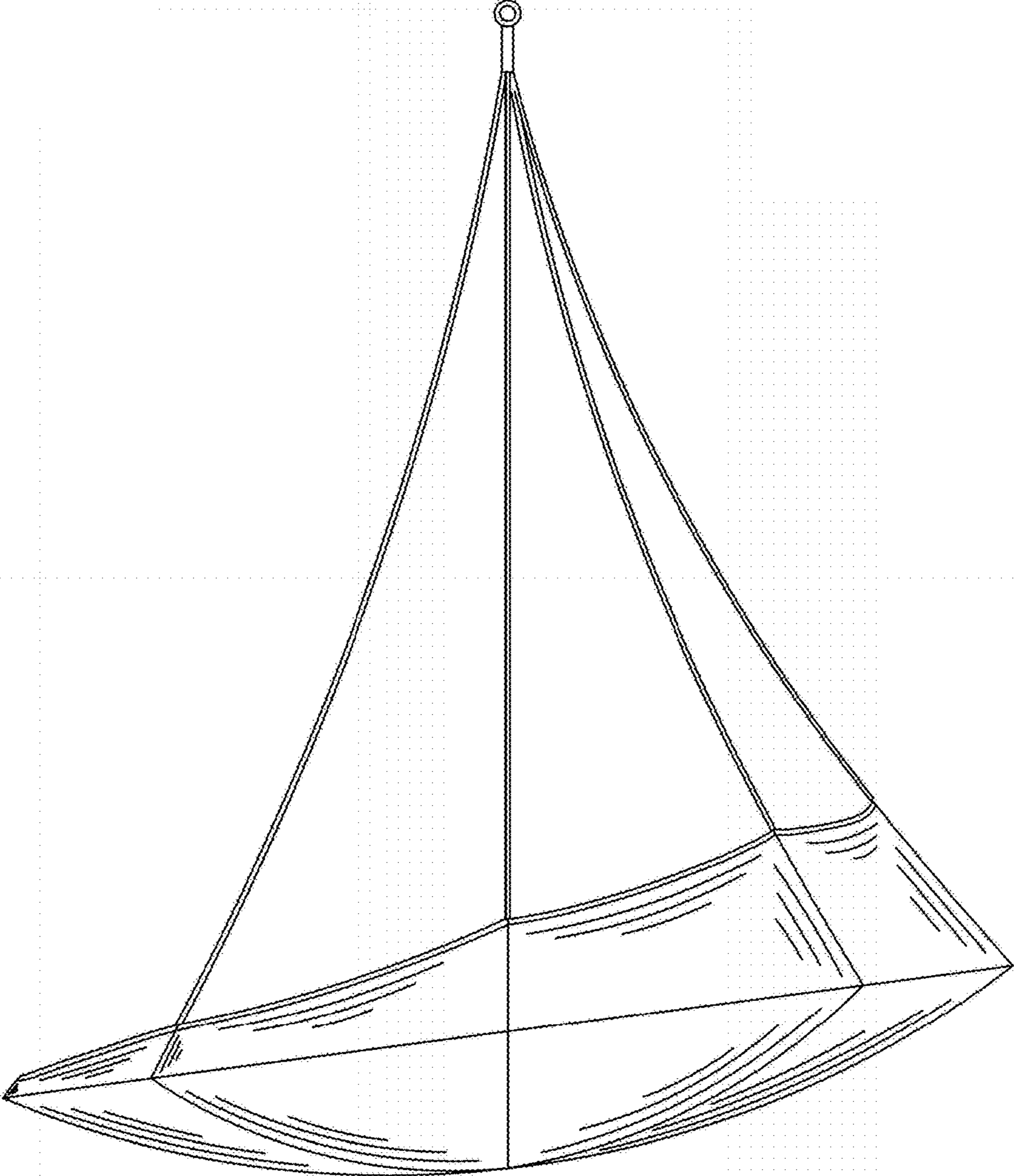


Figure 3

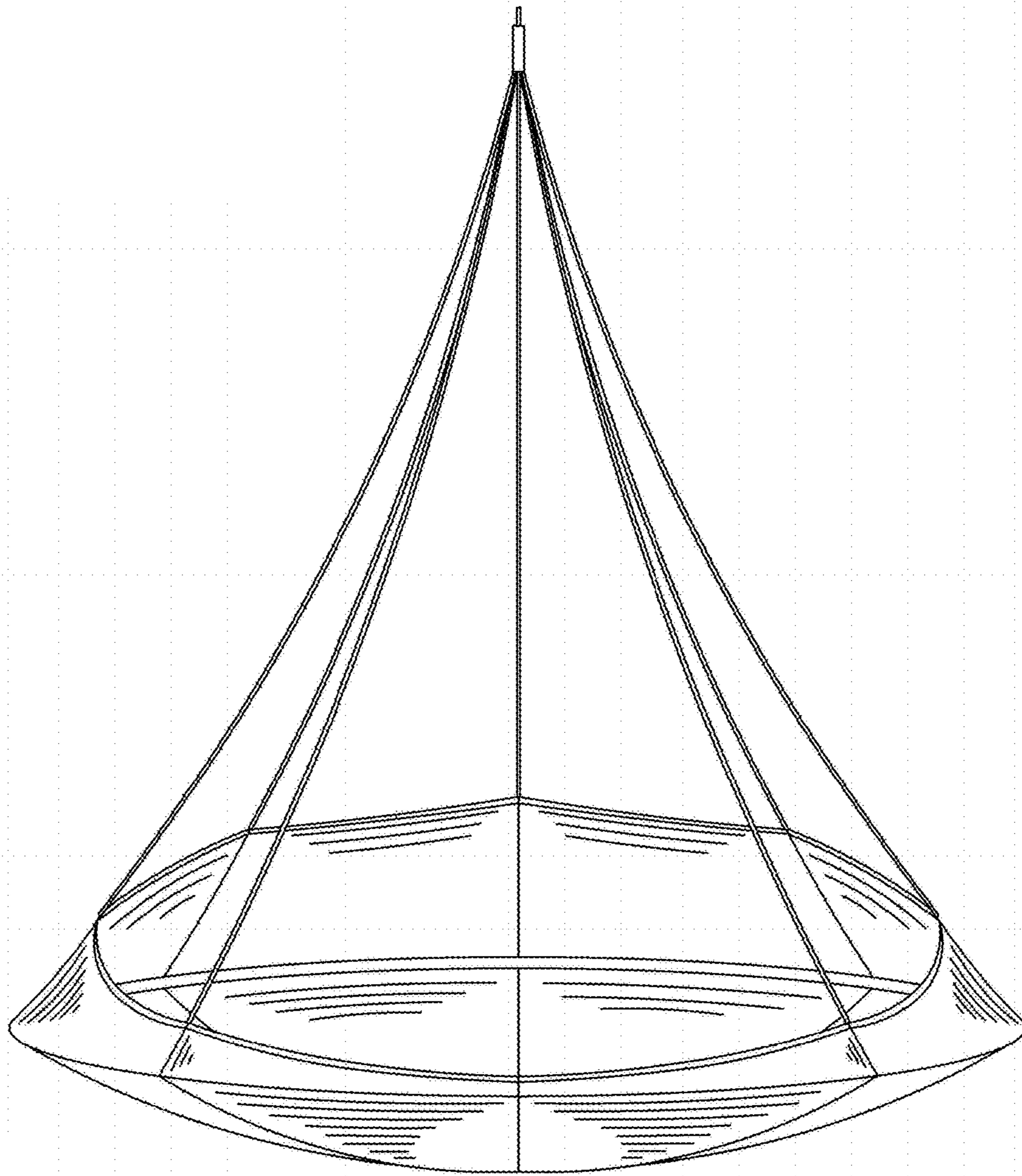


Figure 4

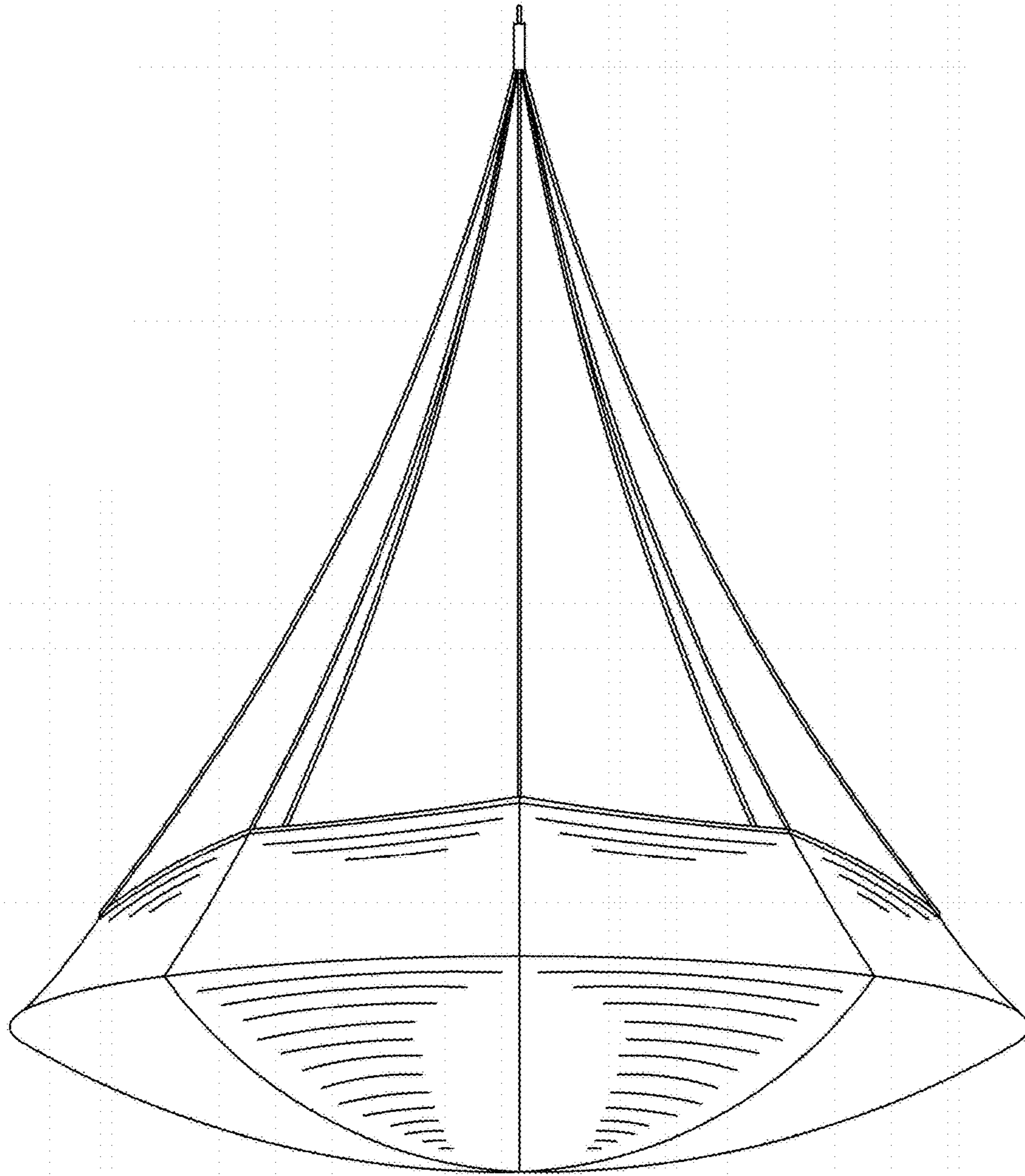


Figure 5

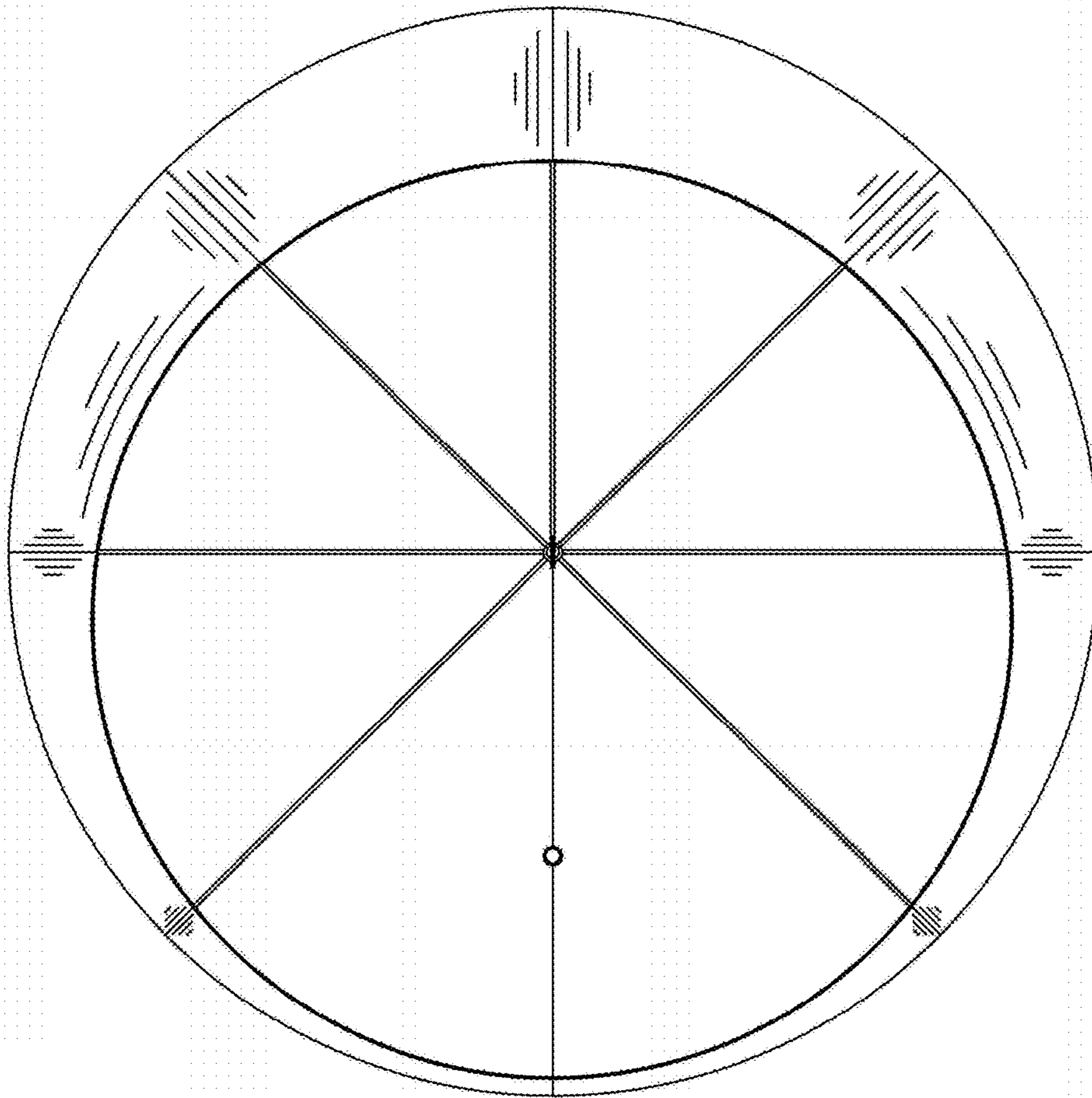


Figure 6

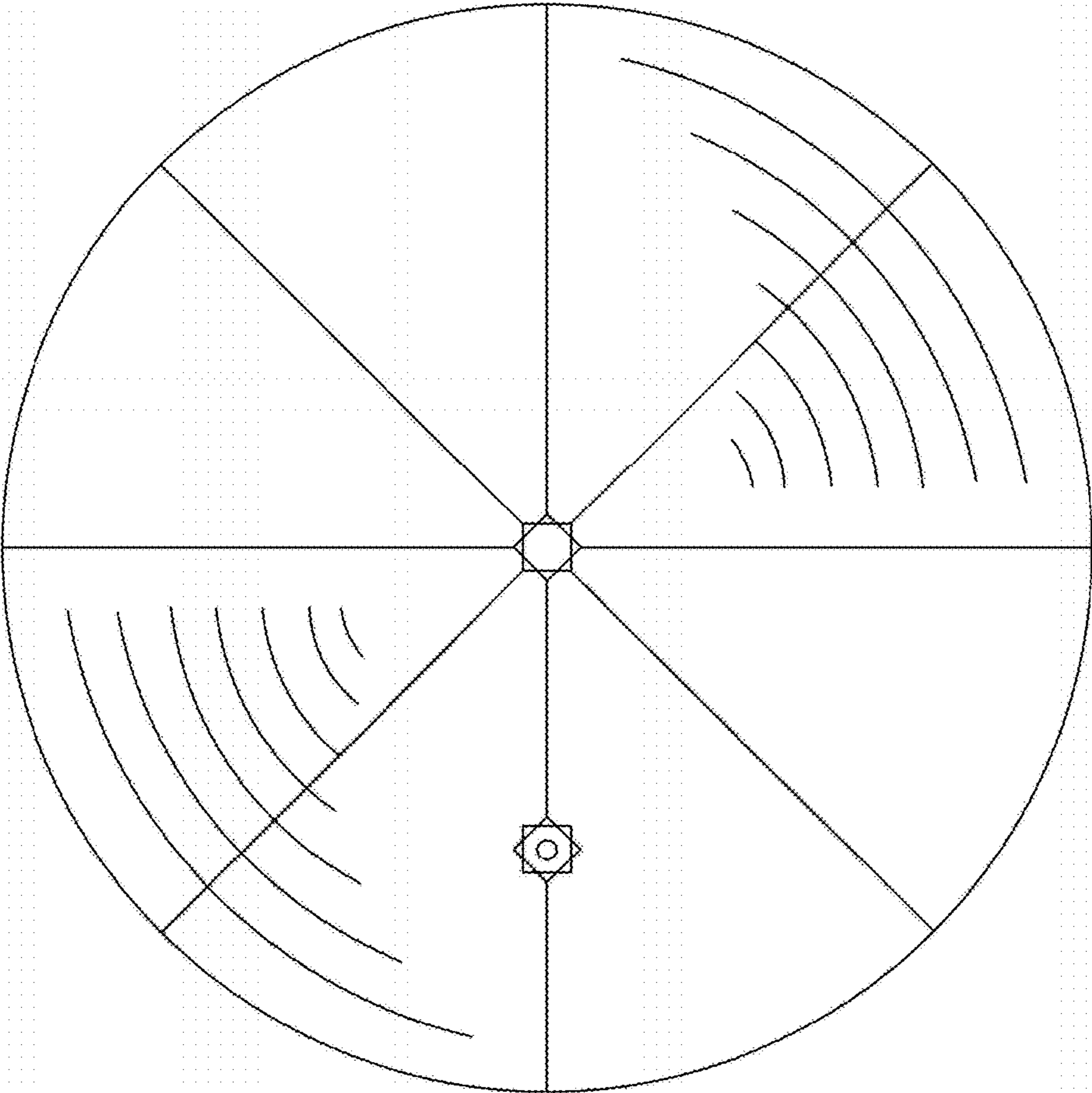


Figure 7

