



US00D845653S

(12) **United States Design Patent** (10) **Patent No.:** **US D845,653 S**
Wu (45) **Date of Patent:** **** Apr. 16, 2019**

(54) **HELMET STAND**
(71) Applicant: **Danping Wu**, Wuxi (CN)
(72) Inventor: **Danping Wu**, Wuxi (CN)
(**) Term: **15 Years**
(21) Appl. No.: **29/630,201**
(22) Filed: **Dec. 20, 2017**
(51) **LOC (11) Cl.** **06-08**
(52) **U.S. Cl.**
USPC **D6/320; D6/553; D8/373**
(58) **Field of Classification Search**
USPC D6/315, 317, 318, 319, 320, 323, 324,
D6/325, 326, 327, 512, 513, 552, 553,
D6/556, 566, 567, 572; D8/373, 355,
D8/377, 380, 381
CPC A47G 25/10; A47G 25/403; A47G 25/005;
A47G 25/74
See application file for complete search history.

(56) **References Cited**
U.S. PATENT DOCUMENTS
722,856 A * 3/1903 Krezdorn A47G 25/10
211/181.1
1,393,843 A * 10/1921 Smith A47G 25/06
211/32
1,557,251 A * 10/1925 Hamlin A47G 25/0685
135/87
1,601,054 A * 9/1926 Wilson A47G 25/10
211/32
1,782,302 A * 11/1930 Harvey A47G 25/10
211/181.1
1,837,692 A * 12/1931 Thomas A47G 25/10
211/106.01
1,965,773 A * 7/1934 Jacobs A47G 25/10
211/30
2,060,711 A * 11/1936 Wright A47G 25/10
211/106
D124,431 S * 12/1940 Vogt 211/31

2,643,773 A * 6/1953 Nicholson A47G 25/10
211/32
2,754,078 A * 7/1956 Koger B60N 3/102
248/222.11
D186,833 S * 12/1959 Nadel 40/124
3,108,723 A * 10/1963 Hickey A47G 25/10
211/30
D203,010 S * 11/1965 Graham 108/152
D231,296 S * 4/1974 Morris et al. D6/556
D242,314 S * 11/1976 Arnett D6/566
D281,576 S * 12/1985 Akers D6/553
4,557,452 A * 12/1985 Khuong B60N 3/103
248/214

(Continued)

OTHER PUBLICATIONS

US Trademark Serial No. 86763771; Mark—ILM Filing date: Sep. 22, 2015 Publication date: Feb. 16, 2016.
US Trademark Serial No. 86936526; Mark—Y Yohe Filing date: Mar. 11, 2016 Publication date: Aug. 9, 2016.
US Trademark Serial No. 86955961; Mark—Madbike Racing Equipment Filing date: Mar. 29, 2016 Publication date: Aug. 30, 2016.
(Continued)

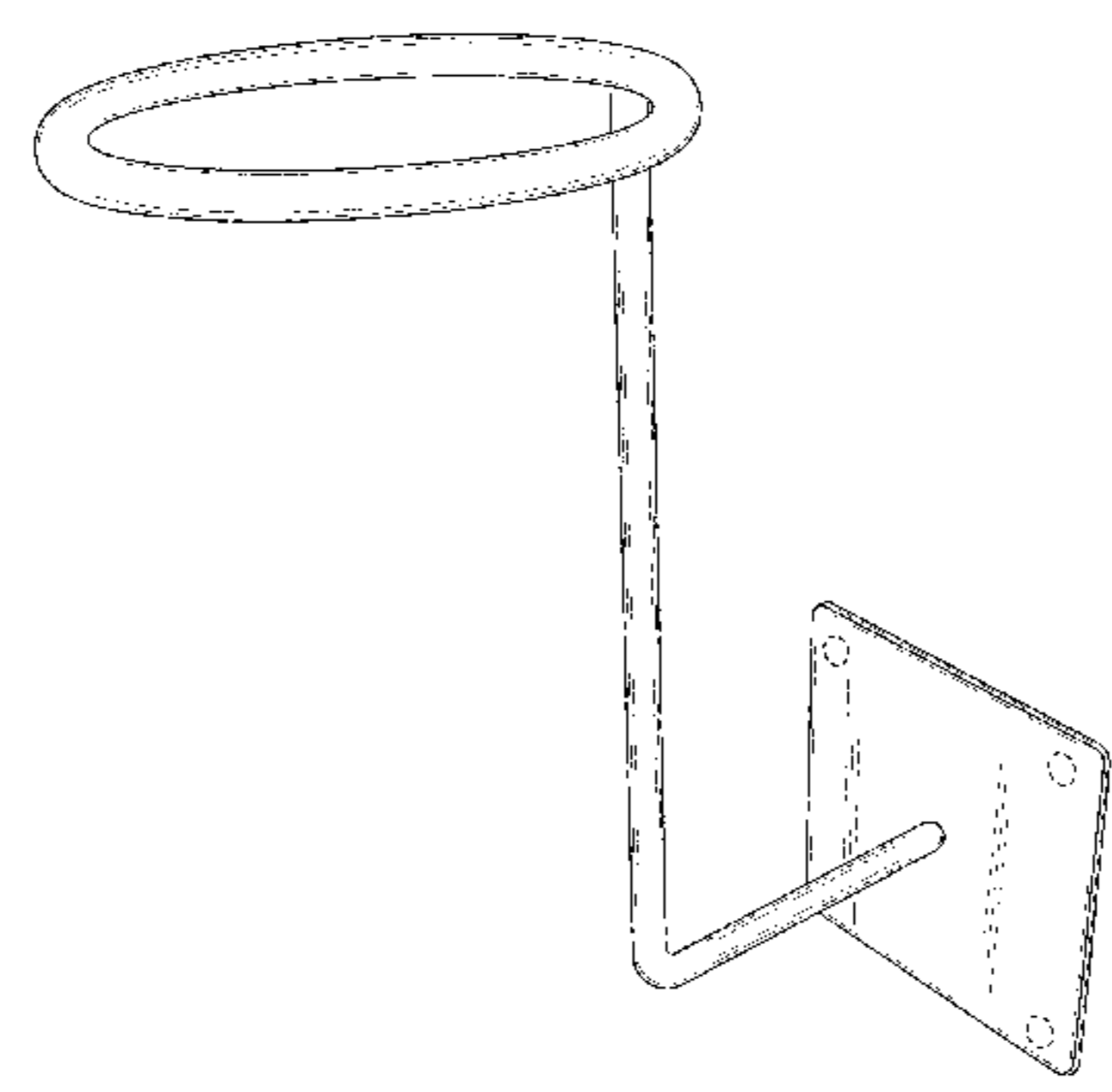
Primary Examiner — Lauren R Calve
(74) *Attorney, Agent, or Firm* — LegalForce RAPC
Worldwide

(57) **CLAIM**
The ornamental design for a helmet stand, as shown and described.

DESCRIPTION

FIG. 1 is a front top right perspective view of a helmet stand showing my new design;
FIG. 2 is a front elevational view thereof;
FIG. 3 is a rear elevational view thereof;
FIG. 4 is a left side elevational view thereof, the right side elevational view being a mirror image;
FIG. 5 is a top plan view thereof; and,
FIG. 6 is a bottom plan view thereof.
The broken lines indicate unclaimed portions of the design and form no part of the claimed design.

1 Claim, 6 Drawing Sheets



(56)

References Cited

U.S. PATENT DOCUMENTS

D284,462 S	7/1986	Greenlaw et al.	
4,672,898 A *	6/1987	Davidson	A47B 23/02 108/139
D301,976 S *	7/1989	Greenhut	D8/373
D448,527 S	9/2001	Sav	
D486,682 S *	2/2004	Zins	D6/535
D507,737 S	7/2005	Flanagan	
D542,632 S *	5/2007	Hill	D8/373
D554,927 S *	11/2007	Smith	D6/513
D739,612 S *	9/2015	Kronebusch	D29/130
D748,334 S *	1/2016	Goodman	D28/38
9,296,439 B2	3/2016	Magallanes et al.	
D766,617 S *	9/2016	Hochman	D6/553
D779,199 S *	2/2017	Murphy, Jr.	D3/266

OTHER PUBLICATIONS

US Trademark Serial No. 87479269; Mark—ILM Filing date: Oct. 17, 2017 Publication date: Feb. 20, 2018.

US Trademark U.S. Serial No. 87659336; Mark—Auboa Filing date: Oct. 25, 2017 Publication date: Mar. 13, 2018.

“Black Metal Helmet Stand”, by Dark Knight Armoury, Found Online [May 5, 2018] <http://www.darkknightarmoury.com/images/Product/large/MCI-2299.png>.

“A Headrest for your Hardhat”, by Yanko Design, Found Online [May 5, 2018] http://www.yankodesign.com/images/design_news/2018/03/auto-draft/halley_helmet_stand_2.jpg.

“Round Base Wooden Helmet Stand”, by Brass Nautical, Found Online [May 5, 2018] https://images-na.ssl-images-amazon.com/images/I/61Um39jPPnL._SL1000_.jpg.

* cited by examiner

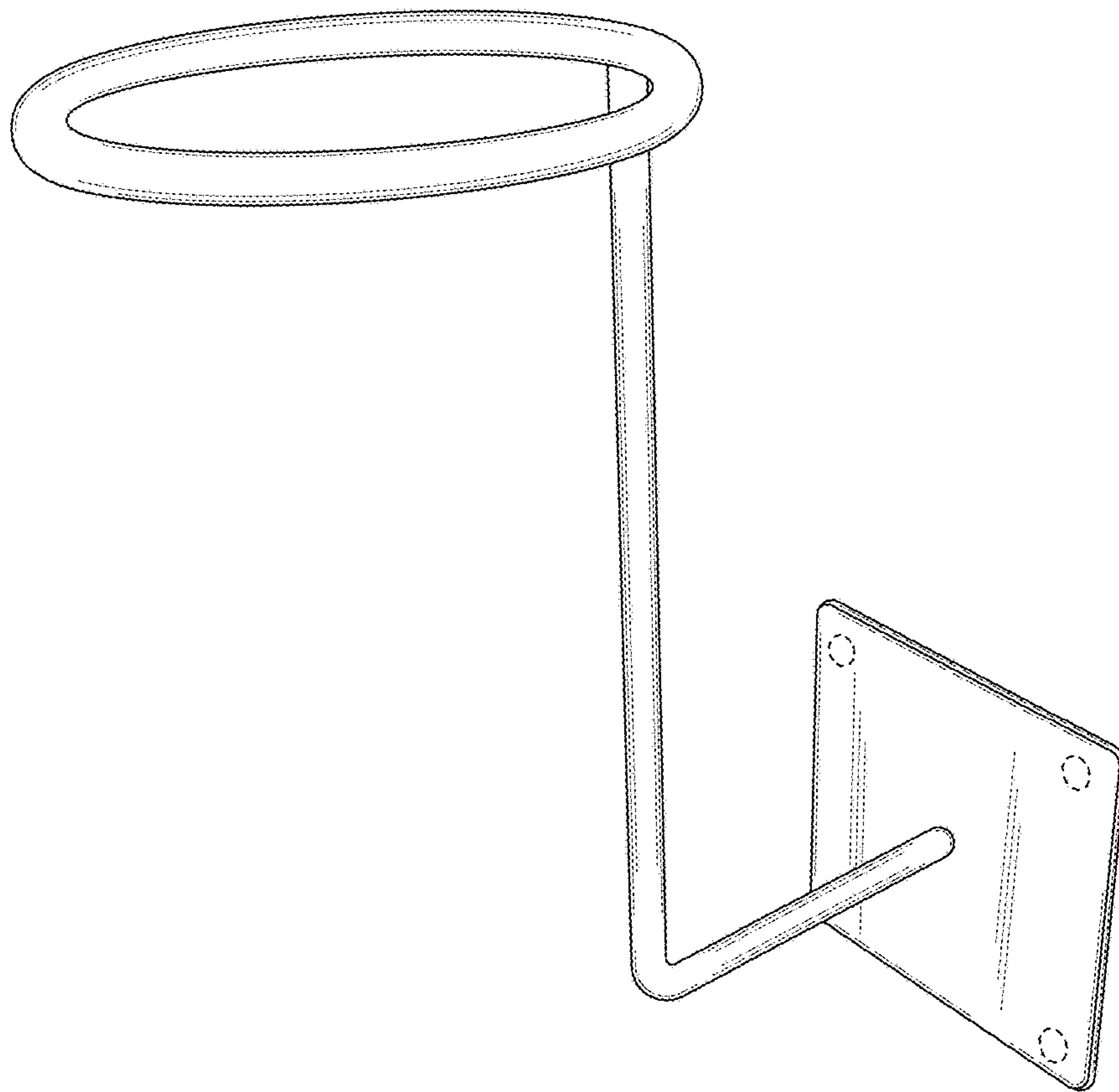


FIG. 1

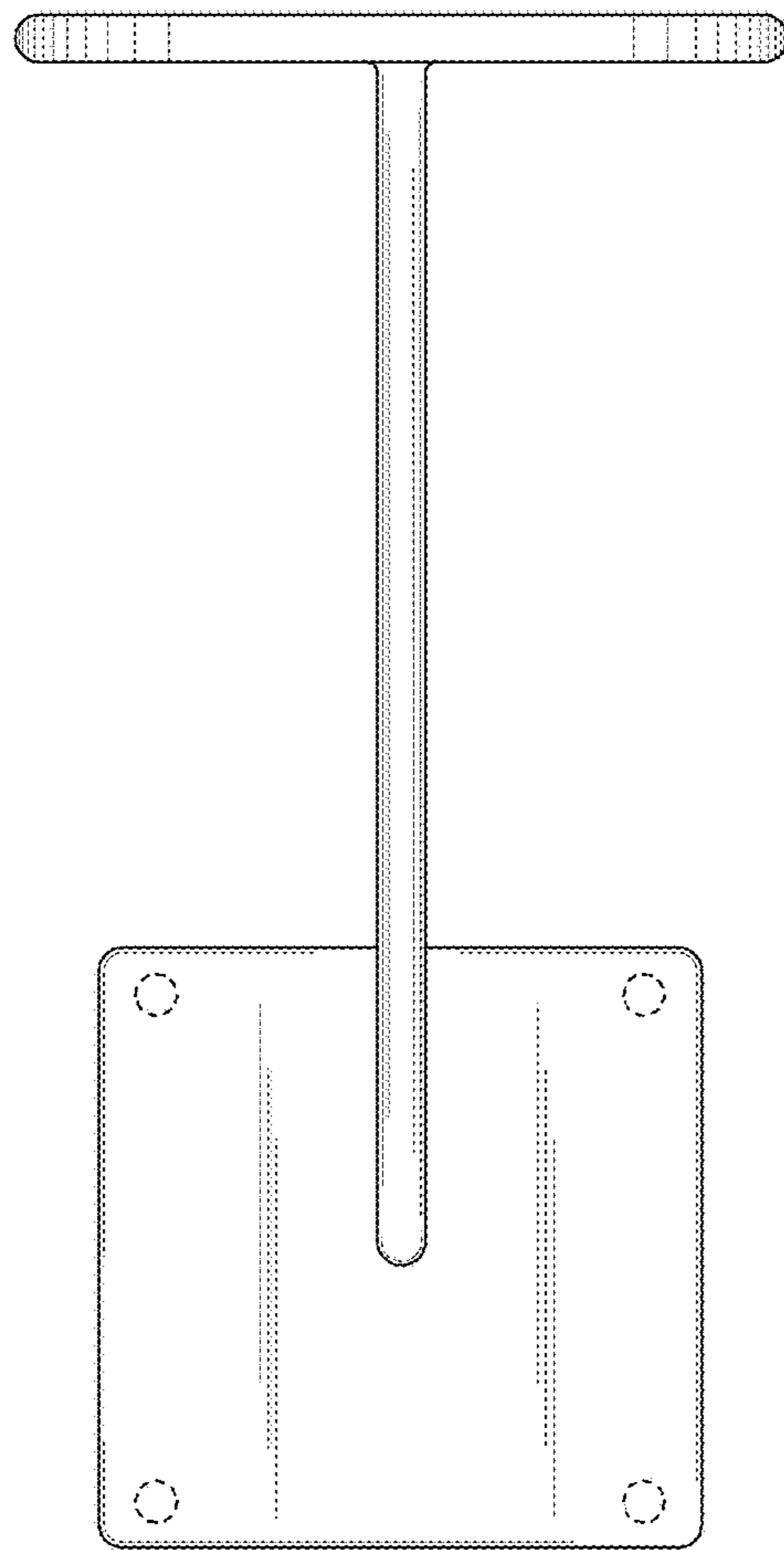


FIG. 2

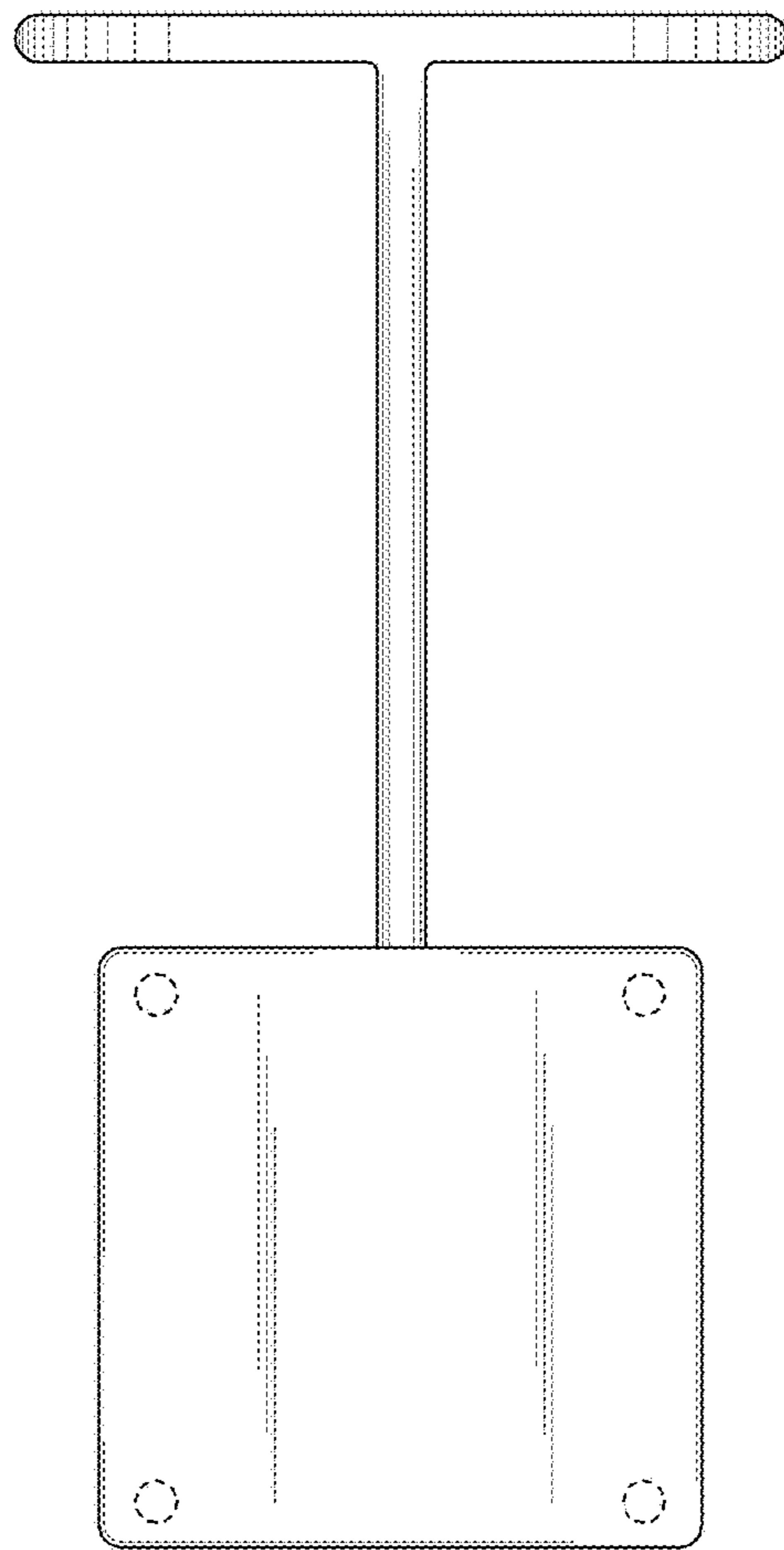


FIG. 3

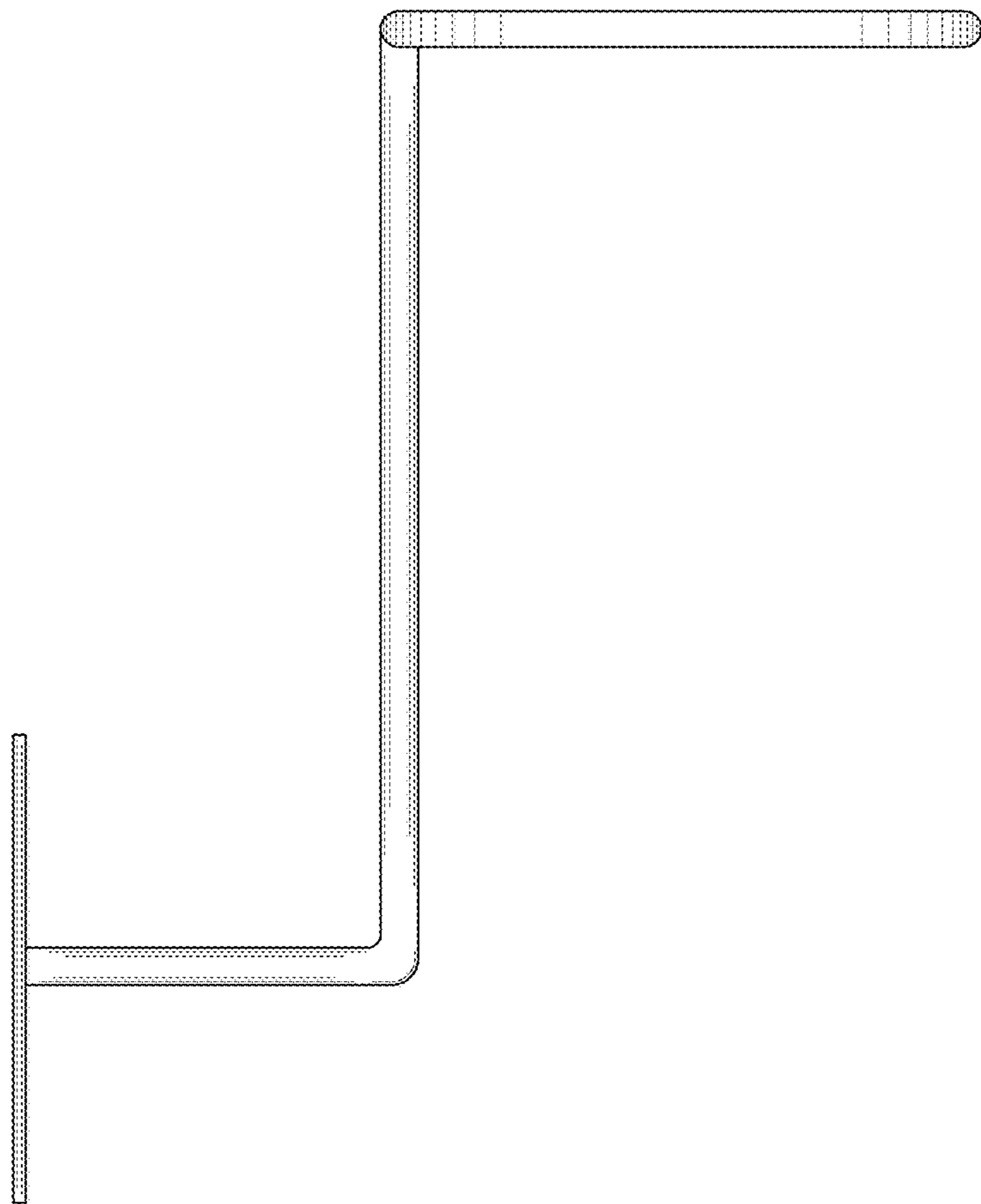


FIG. 4

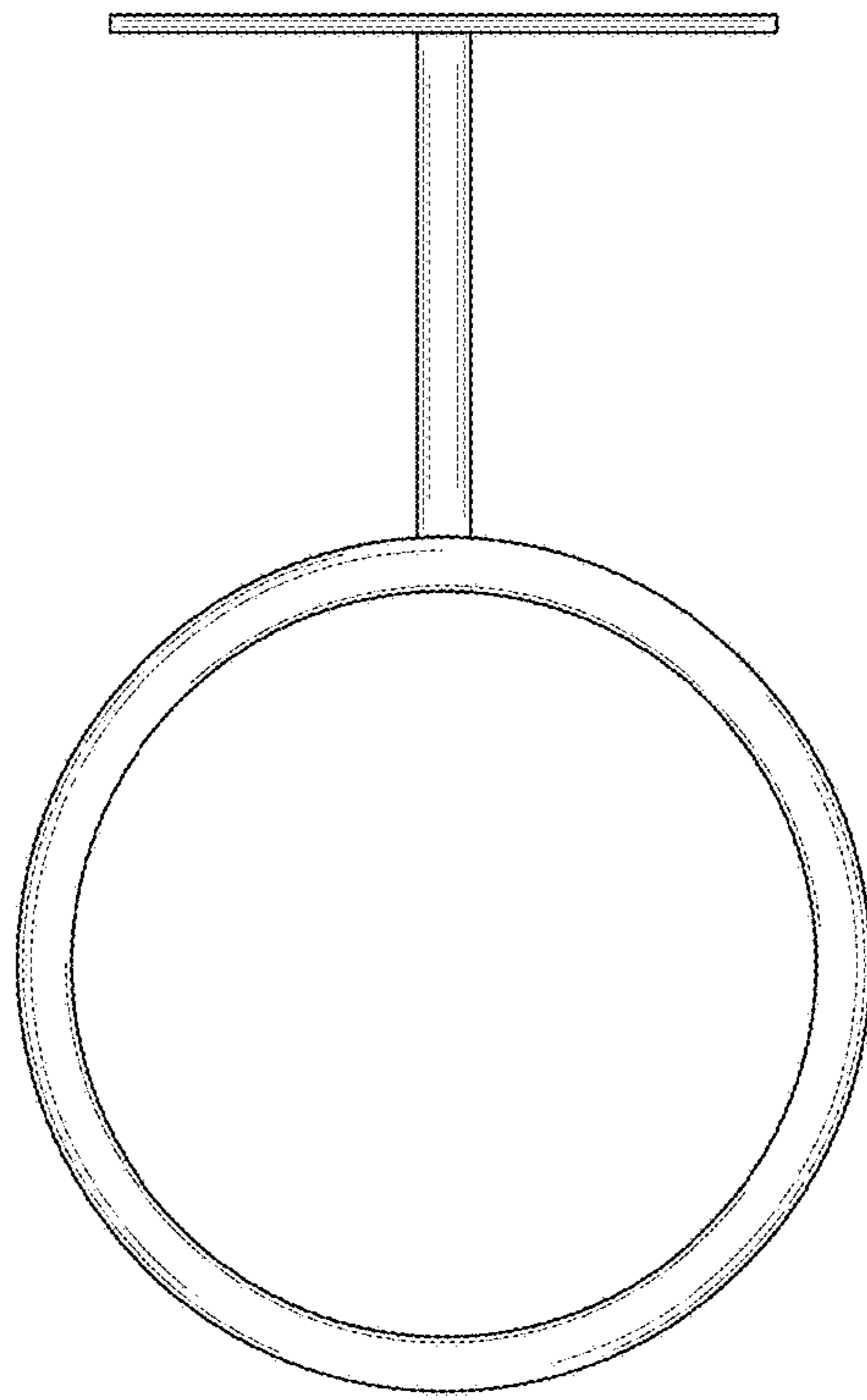


FIG. 5

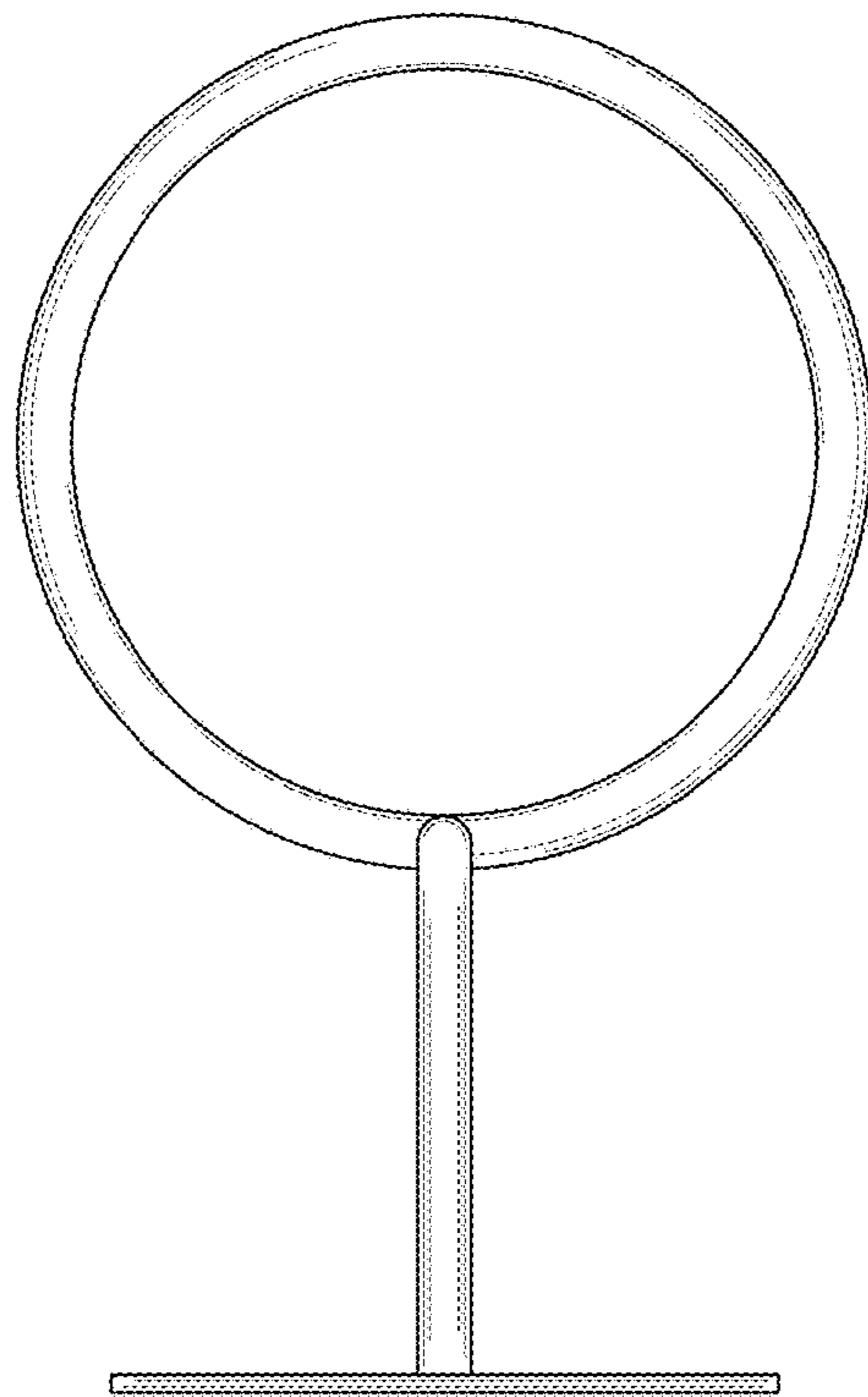


FIG. 6