



US00D845646S

(12) **United States Design Patent** (10) **Patent No.:** **US D845,646 S**
Nicoline (45) **Date of Patent:** **** Apr. 16, 2019**

(54) **MAKEUP BRUSH**

FOREIGN PATENT DOCUMENTS

(71) Applicant: **Paris Presents Incorporated**, Gurnee, IL (US)

CN 300826116 9/2008
CN 301850467 3/2012

(Continued)

(72) Inventor: **Alyssa Carolyn Nicoline**, McHenry, IL (US)

OTHER PUBLICATIONS

(73) Assignee: **Paris Presents Incorporated**, Gurnee, IL (US)

Maria Pia, "Tom Ford Cream Foundation Brush review, photos and comparisons.," If Makeup Could Talk, LLC, Sep. 20, 2013, 4 pages. [URL] <http://ifmakeupcouldtalk.com/toolsaccessories/tom-ford-cream-foundation-brush-review-photos-and-comparisons/>.

(Continued)

(**) Term: **15 Years**

(21) Appl. No.: **29/655,340**

Primary Examiner — Wan Laymon

Assistant Examiner — Clint A Samuel

(22) Filed: **Jul. 2, 2018**

(74) *Attorney, Agent, or Firm* — Quarles & Brady LLP

(57) **CLAIM**

The ornamental design for a makeup brush, as shown and described.

Related U.S. Application Data

(63) Continuation of application No. 29/596,356, filed on Mar. 7, 2017, now Pat. No. Des. 827,309.

DESCRIPTION

(51) **LOC (11) Cl.** **04-99**

(52) **U.S. Cl.**
USPC **D4/138**

(58) **Field of Classification Search**
USPC D4/104, 106, 110, 114, 116, 118, 119, D4/120, 121, 127, 128, 138, 132, 135, D4/199; D28/7, 57, 30, 73, 75, 76, 77, D28/89; D8/80, 83, 94, 107, 300, 301; D24/180; D32/51, 52; D19/108, 115, D19/125; 15/106, 159.1, 160, 176.1, 184,
(Continued)

FIG. 1 is an isometric view of a front, top, and left side of an ornamental design for a makeup brush;
FIG. 2 is a front elevational view of the makeup brush of FIG. 1;
FIG. 3 is a rear elevational view of the makeup brush of FIG. 1;
FIG. 4 is a right side elevational view of the makeup brush of FIG. 1;
FIG. 5 is a left side elevational view of the makeup brush of FIG. 1;
FIG. 6 is a top plan view of the makeup brush of FIG. 1; and, FIG. 7 is a bottom plan view of the makeup brush of FIG. 1.

The dash-dash-dash-dash lines are for the purpose of illustrating environmental structure and form no part of the claimed design. The dash-dot-dash lines form no part of the claimed design and represent a boundary line.

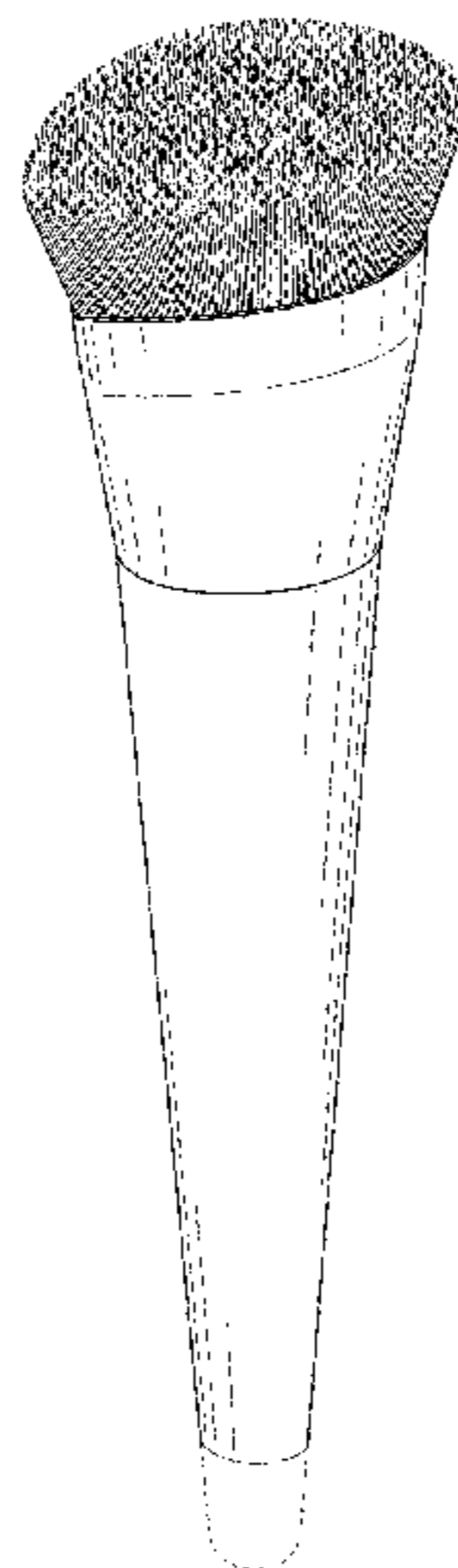
(56) **References Cited**

U.S. PATENT DOCUMENTS

RE16,869 E 2/1928 Goldman
D116,216 S 8/1939 Brekke

(Continued)

1 Claim, 4 Drawing Sheets



(58) **Field of Classification Search**

USPC 15/190-194; 132/289, 294, 298, 313,
132/317, 320
CPC A46B 5/00; A46B 5/0016; A46B 5/26;
A46B 5/005; A46B 2200/20; A46B
2200/104; A46B 2200/1046; A46B
2200/202; A46B 2200/108; A46B
2200/1086; A46B 2200/1093; A46B
17/04; A46B 11/00; A46B 11/001; A46B
11/0003; A46B 11/0006; A46B 11/0013;
A46B 15/0055; A46B 15/0061; A46B
7/026; A61C 3/00; A61M 35/003; B05C
17/0205; B05C 17/04; B05C 1/06

See application file for complete search history.

| | | | |
|----------------|---------|---------------------------------|--|
| D528,304 S | 9/2006 | Langer | |
| D528,305 S | 9/2006 | Langer | |
| D529,292 S | 10/2006 | Langer | |
| D529,293 S | 10/2006 | Langer | |
| D529,719 S | 10/2006 | Langer | |
| D530,097 S | 10/2006 | Langer | |
| D530,519 S | 10/2006 | Langer | |
| D541,979 S | 5/2007 | Montoli | |
| D571,105 S | 6/2008 | Godin | |
| D571,559 S | 6/2008 | Riaz | |
| D572,010 S | 7/2008 | Riaz | |
| D573,348 S | 7/2008 | Dumler et al. | |
| D573,349 S | 7/2008 | Dumler et al. | |
| D574,154 S | 8/2008 | Dumler et al. | |
| D574,155 S | 8/2008 | Dumler et al. | |
| 7,416,080 B1 | 8/2008 | Langer | |
| D598,655 S | 8/2009 | Thorpe et al. | |
| D599,113 S | 9/2009 | Jackel-Marken | |
| D599,117 S | 9/2009 | Dumler | |
| D617,954 S | 6/2010 | LAbbate | |
| RE41,710 E | 9/2010 | Dumler et al. | |
| RE41,711 E | 9/2010 | Dumler et al. | |
| D625,522 S | 10/2010 | Riaz | |
| D627,977 S | 11/2010 | Magallanes Orozco | |
| D628,811 S | 12/2010 | Masuyama | |
| D629,846 S | 12/2010 | Losel | |
| D630,437 S | 1/2011 | Carey | |
| D631,666 S | 2/2011 | Lim et al. | |
| D632,086 S | 2/2011 | Kulik | |
| D634,127 S | 3/2011 | Burgess et al. | |
| D642,805 S | 8/2011 | Burgess et al. | |
| D645,665 S | 9/2011 | Del Ponte | |
| D650,012 S | 12/2011 | Losel | |
| D655,006 S | 2/2012 | Rajaiah et al. | |
| D658,385 S | 5/2012 | Lim et al. | |
| 8,185,998 B2 * | 5/2012 | Xu A46B 5/0095 132/120 | |
| D663,957 S | 7/2012 | Garcia | |
| 8,230,543 B2 | 7/2012 | Shrier et al. | |
| D666,008 S | 8/2012 | Boudreau | |
| D676,663 S | 2/2013 | Ptok et al. | |
| D676,666 S | 2/2013 | Nelson | |
| D677,904 S | 3/2013 | Hammer | |
| D678,682 S | 3/2013 | Hammer | |
| D678,683 S | 3/2013 | Hammer | |
| D678,684 S | 3/2013 | Hammer | |
| D699,041 S | 2/2014 | Waitesmith | |
| D702,554 S | 4/2014 | Cole et al. | |
| D706,542 S | 6/2014 | Lavigne | |
| D718,060 S | 11/2014 | Filho et al. | |
| D718,941 S | 12/2014 | Matsuishi | |
| 9,089,200 B2 * | 7/2015 | Telwar A46B 3/08 | |
| D743,632 S | 11/2015 | Schlickman | |
| D746,010 S | 12/2015 | Xavier et al. | |
| D747,835 S | 1/2016 | Barnard et al. | |
| 9,237,790 B2 | 1/2016 | Takagi | |
| D749,327 S | 2/2016 | Thierer et al. | |
| D749,858 S | 2/2016 | Snook | |
| D749,859 S | 2/2016 | Snook | |
| D750,383 S | 3/2016 | Serrano | |
| D752,149 S | 3/2016 | Fairweather | |
| D753,769 S | 4/2016 | Ciriolo | |
| D756,127 S | 5/2016 | Nicoline | |
| D756,661 S | 5/2016 | Waitesmith | |
| D757,441 S | 5/2016 | Hwang | |
| D757,443 S | 5/2016 | Waitesmith | |
| D757,447 S | 5/2016 | White | |
| D758,742 S | 6/2016 | Nicoline | |
| D762,988 S | 8/2016 | Xavier et al. | |
| D763,676 S | 8/2016 | Filho et al. | |
| D764,807 S | 8/2016 | Waitesmith | |
| D765,421 S | 9/2016 | Cole | |
| D766,586 S | 9/2016 | Hwang | |
| D766,587 S | 9/2016 | Hwang | |
| D767,903 S | 10/2016 | Lim | |
| D768,998 S | 10/2016 | Kim et al. | |
| D771,389 S | 11/2016 | Since | |
| D776,440 S | 1/2017 | Jain | |
| D776,941 S | 1/2017 | Nicoline | |

(56) **References Cited**

U.S. PATENT DOCUMENTS

| | | |
|--------------|---------|---------------------|
| D139,381 S | 11/1944 | Harris |
| D189,374 S | 11/1960 | Harris |
| D238,631 S | 2/1976 | Leighton |
| D249,600 S | 9/1978 | Bowman |
| D258,240 S | 2/1981 | Takada et al. |
| D263,807 S | 4/1982 | Kingsford |
| D274,474 S | 6/1984 | Castiglioni |
| D275,040 S | 8/1984 | Holloway |
| D278,951 S | 5/1985 | Kalinsky |
| D278,952 S | 5/1985 | Kalinsky |
| D285,730 S | 9/1986 | Bulwick |
| D295,878 S | 5/1988 | Lovell |
| D304,392 S | 11/1989 | Reich |
| 4,946,389 A | 8/1990 | Weissenburger |
| D312,729 S | 12/1990 | Auttajark |
| D319,736 S | 9/1991 | Thuresson et al. |
| D323,186 S | 1/1992 | Clark et al. |
| D327,979 S | 7/1992 | Carranza |
| D346,277 S | 4/1994 | Sherman et al. |
| D361,236 S | 8/1995 | Murgalo |
| D368,093 S | 3/1996 | Starck |
| 5,542,144 A | 8/1996 | Forsline |
| D376,696 S | 12/1996 | Vogel, Jr. |
| D376,910 S | 12/1996 | Tuchman |
| D386,311 S | 11/1997 | Moskovich |
| D395,552 S | 6/1998 | Cunningham |
| D404,647 S | 1/1999 | Federighi |
| 5,926,903 A | 7/1999 | Kim |
| D418,541 S | 1/2000 | Mayer |
| D418,601 S | 1/2000 | McGugan |
| 6,039,051 A | 3/2000 | Dorf |
| D427,777 S | 7/2000 | Kim |
| D430,608 S | 9/2000 | Kriegelstein et al. |
| D431,324 S | 9/2000 | Hirato et al. |
| D433,537 S | 11/2000 | Schoon et al. |
| D435,349 S | 12/2000 | Kim |
| D438,383 S | 3/2001 | Doat |
| D446,212 S | 8/2001 | Chang |
| D447,602 S | 9/2001 | Dumler et al. |
| D450,189 S | 11/2001 | Mink et al. |
| D451,285 S | 12/2001 | Andersson |
| D452,948 S | 1/2002 | Mink et al. |
| 6,386,874 B2 | 5/2002 | Bachmann et al. |
| D458,761 S | 6/2002 | Mason et al. |
| D460,111 S | 7/2002 | Veillon |
| D463,735 S | 10/2002 | Gobe |
| D469,180 S | 1/2003 | Mark |
| 6,513,183 B2 | 2/2003 | Dorf |
| D478,213 S | 8/2003 | Ping |
| D479,918 S | 9/2003 | Mink |
| D480,272 S | 10/2003 | Yang |
| D485,575 S | 1/2004 | Lovell |
| 6,779,532 B2 | 8/2004 | Dorf |
| D516,257 S | 2/2006 | Brackett et al. |
| D518,102 S | 3/2006 | Lovell |
| D522,866 S | 6/2006 | Bakic |
| D527,188 S | 8/2006 | Langer |

(56)

References Cited

U.S. PATENT DOCUMENTS

D778,067 S 2/2017 Jain
 D778,617 S 2/2017 Jain
 D778,618 S 2/2017 Jain
 D778,619 S 2/2017 Jain
 D778,620 S 2/2017 Jain
 D778,621 S 2/2017 Jain
 D778,623 S 2/2017 Jain
 D779,137 S 2/2017 Taylor
 D779,213 S 2/2017 Jain
 D781,592 S 3/2017 Kaicker et al.
 D781,593 S 3/2017 Kaicker
 D782,138 S 3/2017 Xavier et al.
 D782,198 S 3/2017 Hwang
 D782,199 S 3/2017 Hwang
 D782,201 S 3/2017 Hwang
 D782,730 S 3/2017 Zhang et al.
 D782,826 S 4/2017 Kim et al.
 D783,291 S 4/2017 Lin
 D787,190 S 5/2017 Machiorlette et al.
 D787,191 S 5/2017 Hwang
 D787,192 S 5/2017 Hwang
 D787,193 S 5/2017 Hwang
 D787,833 S 5/2017 Jain
 9,642,441 B1 5/2017 Ajootian
 D788,471 S 6/2017 Dunaway
 D790,973 S 7/2017 Kern et al.
 D793,090 S 8/2017 Allen et al.
 D794,966 S 8/2017 Salm
 D800,457 S 10/2017 Kaicker
 D802,938 S 11/2017 Nicoline
 D807,611 S 1/2018 Almarales
 D817,546 S * 5/2018 Barozzi D28/7
 D821,760 S * 7/2018 Yan D4/138
 D827,308 S * 9/2018 Nicoline D4/138
 D827,309 S * 9/2018 Nicoline D4/138
 D827,310 S * 9/2018 Allenback D4/138
 D829,006 S * 9/2018 Richards A46B 5/0095
 D831,362 S * 10/2018 Kim D4/138
 D831,974 S * 10/2018 Nicoline D4/138
 D831,975 S * 10/2018 Nicoline D4/138
 D831,976 S * 10/2018 Nicoline D4/199
 10,098,446 B2 * 10/2018 Telwar Kaicker A46B 3/08
 2002/0083953 A1 7/2002 Dorf
 2006/0248669 A1 11/2006 Dovellos
 2010/0101035 A1 4/2010 Nakamura
 2010/0236004 A1 9/2010 Xu
 2011/0017226 A1 1/2011 Choi

2011/0174680 A1 7/2011 Arvin et al.
 2011/0284019 A1 11/2011 Fairweather
 2012/0142545 A1 6/2012 Kingston et al.
 2012/0298130 A1 11/2012 Telwar et al.
 2013/0174860 A1 7/2013 Takagi
 2014/0166041 A1 6/2014 King
 2014/0331422 A1 11/2014 Lim
 2015/0027495 A1 1/2015 Xavier et al.
 2016/0128445 A1 5/2016 Lim
 2016/0262528 A1 9/2016 Telwar
 2017/0188691 A1 7/2017 Richards
 2017/0265637 A1 9/2017 Telwar
 2018/0153293 A1* 6/2018 Dovellos A46B 9/021
 2018/0220786 A1* 8/2018 Serposi A46B 9/12

FOREIGN PATENT DOCUMENTS

CN 301855897 3/2012
 CN 303866304 9/2016
 CN 303901885 11/2016
 EM 002910968-0001 12/2015
 EM 002910968-0002 12/2015
 EM 002910968-0003 12/2015
 EM 002910968-0004 12/2015
 EM 002910968-0005 12/2015
 EM 002910968-0006 12/2015
 EM 002910968-0007 12/2015
 EM 002910968-0008 12/2015
 EM 002910968-0009 12/2015
 EM 002910968-0010 12/2015
 EM 002910968-0011 12/2015
 EM 002910968-0012 12/2015
 EM 002910968-0013 12/2015
 WO 2012142545 A2 10/2012

OTHER PUBLICATIONS

Iswarya, "Tmart 10pcs Professional Cosmetic Makeup Brush Set with Cream Colored Bag Review!!" I Am Girly Blog, Oct. 3, 2014, 9 pages. [URL] <http://i-am-girly.com/product-review/tmart-10-pcs-professional-cosmetic-makeup-brush-set-with-cream-colored-bag-review.html>.
 "Real Techniques Point L Makeup Brush," Real Techniques, Retrieved from Internet Jan. 8, 2018, 5 pages. [URL] <https://realtechniques.com/point-l/p/1481>.
 Tweet by Val Mendoza showing image of a set of 5 cosmetic brushes, Dec. 8, 2015, 9 pages. [URL] <https://twitter.com/rval78>.

* cited by examiner

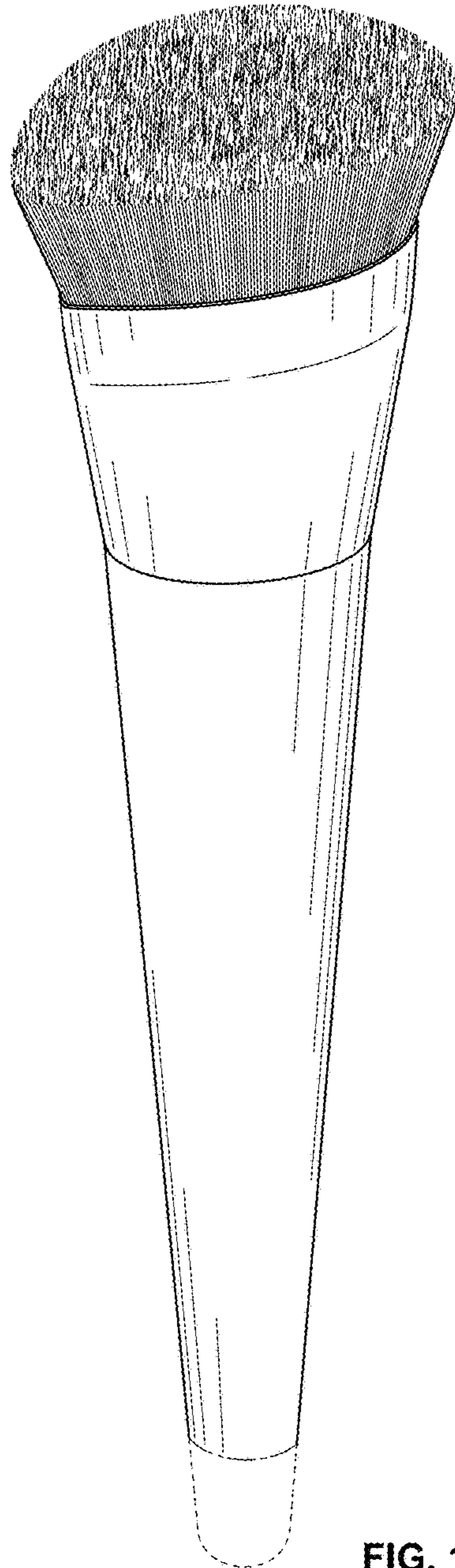


FIG. 1

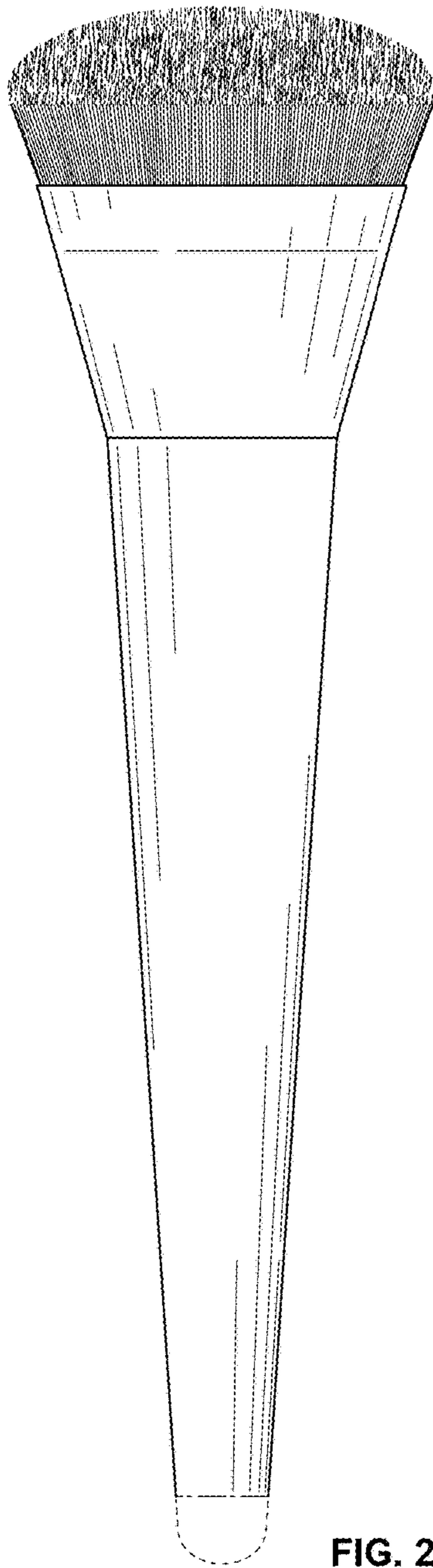


FIG. 2

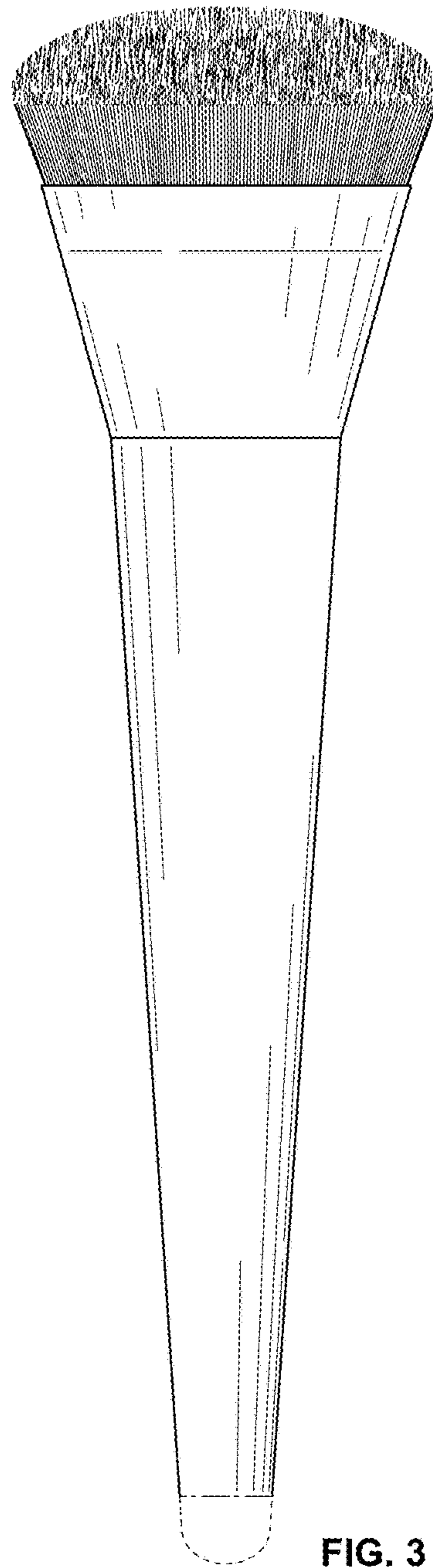


FIG. 3

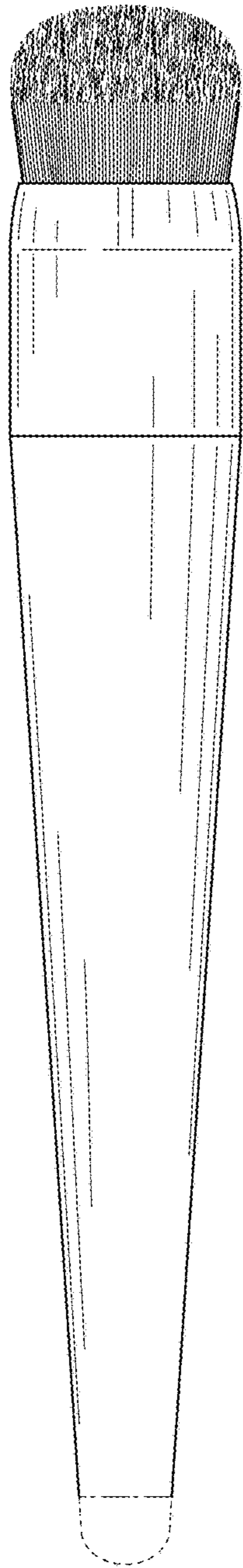


FIG. 4

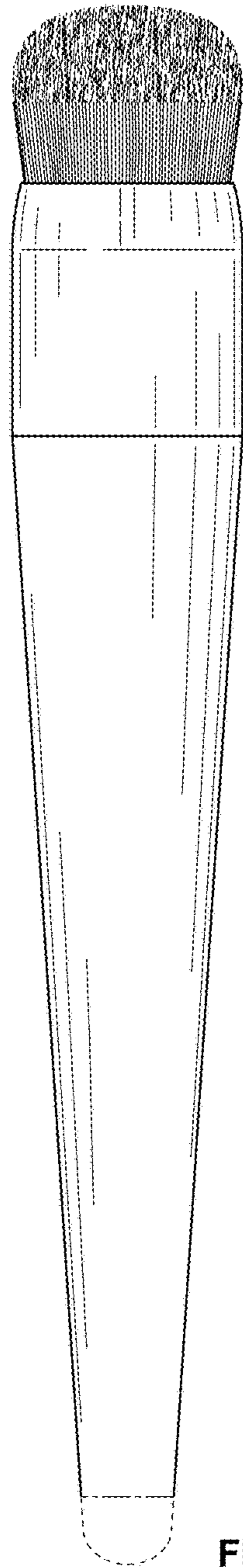


FIG. 5

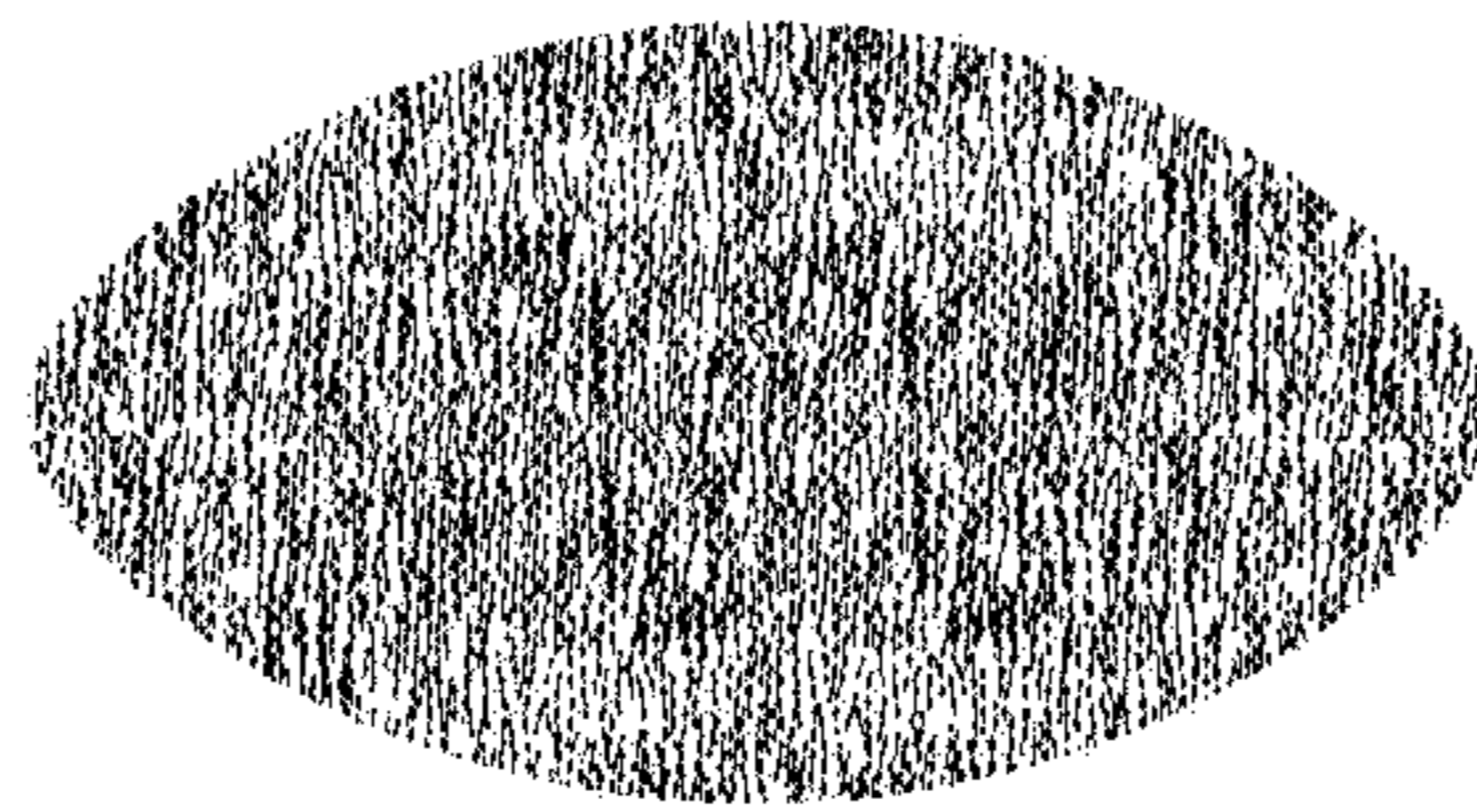


FIG. 6

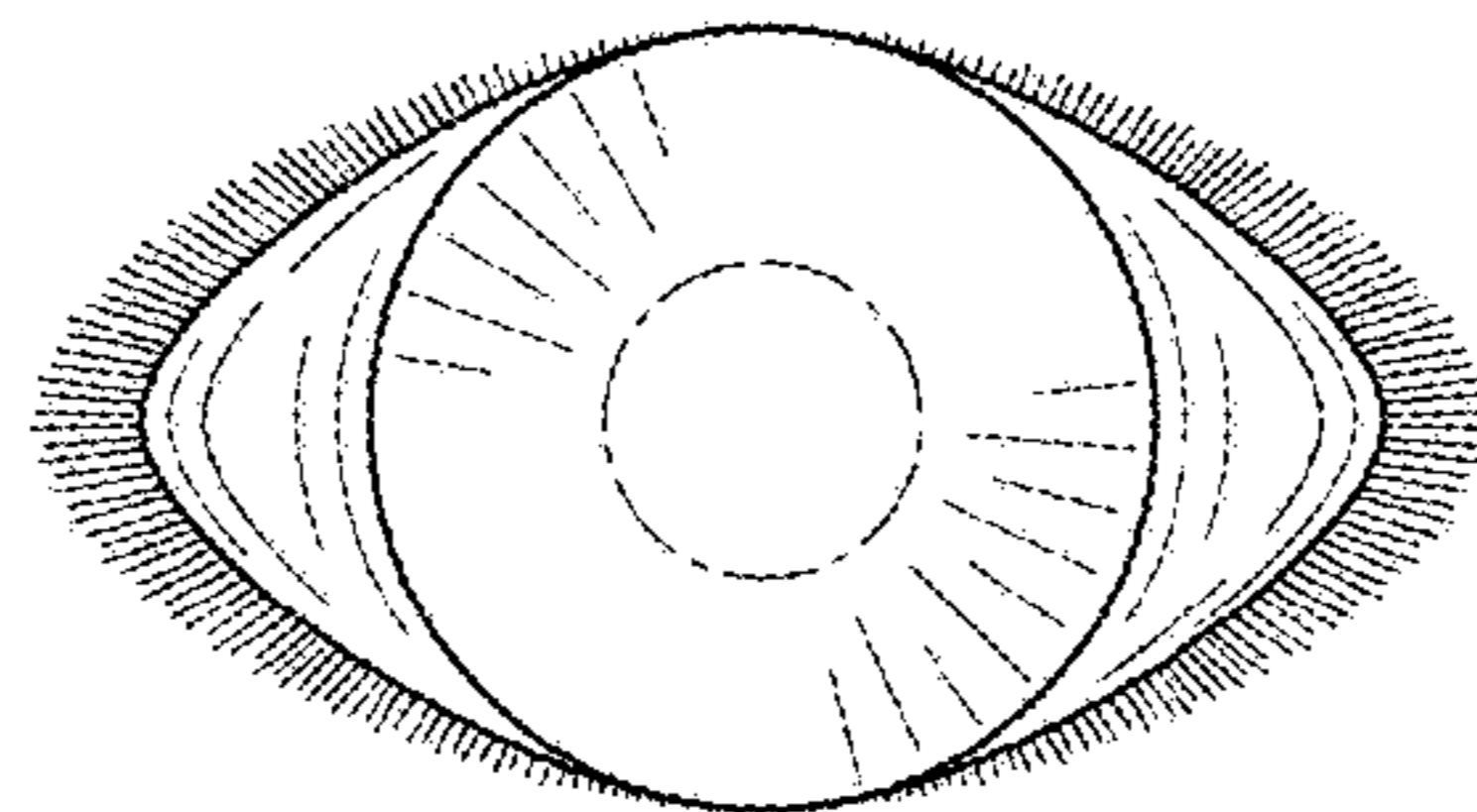


FIG. 7