



US00D845645S

(12) **United States Design Patent**
Rybacek et al.

(10) **Patent No.:** **US D845,645 S**
(45) **Date of Patent:** **** Apr. 16, 2019**

(54) **NAIL BRUSH**

(71) Applicant: **Paris Presents Incorporated**, Gurnee, IL (US)

(72) Inventors: **Nicole Rybacek**, Woodstock, IL (US);
Tara Gleisner-Rocque, Gurnee, IL (US);
Amanda Young, Kenosha, WI (US)

(73) Assignee: **Paris Presents Incorporated**, Gurnee, IL (US)

(**) Term: **15 Years**

(21) Appl. No.: **29/622,318**

(22) Filed: **Oct. 16, 2017**

(51) **LOC (11) Cl.** **04-02**

(52) **U.S. Cl.**
USPC **D4/138; D4/119**

(58) **Field of Classification Search**

USPC D4/100, 101, 102, 114, 115, 116, 117, D4/118, 121, 122, 123, 127, 128, 130, D4/131, 132, 133, 134, 135, 136, 137, D4/138, 199; D24/214, 215; D28/7, 35, D28/63; D32/33, 35, 41, 42, 25
CPC A46B 5/00; A46B 5/02; A46B 7/06; A46B 7/08; A46B 7/10; A46B 9/00; A46B 9/02; A46B 9/023; A46B 9/028; A46B 13/00; A46B 11/002; A46B 11/06; A46B 11/063; A46B 13/001; A46B 3/005; A46B 13/02; A46B 2200/00; A46B 2200/10; A46B

(Continued)

(56) **References Cited**

U.S. PATENT DOCUMENTS

2,167,129 A 7/1939 Sleeper
2,206,542 A 7/1940 Arnold

(Continued)

FOREIGN PATENT DOCUMENTS

CN 201894307 U 7/2011
CN 205338033 U 6/2016

(Continued)

OTHER PUBLICATIONS

“Wooden Nail Brush Natural Bristles,” URL: https://guide.alibaba.com/shop/wooden-nail-brush-natural-bristles_4409523.html, May 31, 2017, 3 pages.

(Continued)

Primary Examiner — Karen E Eldridge Powers

(74) *Attorney, Agent, or Firm* — Quarles & Brady LLP

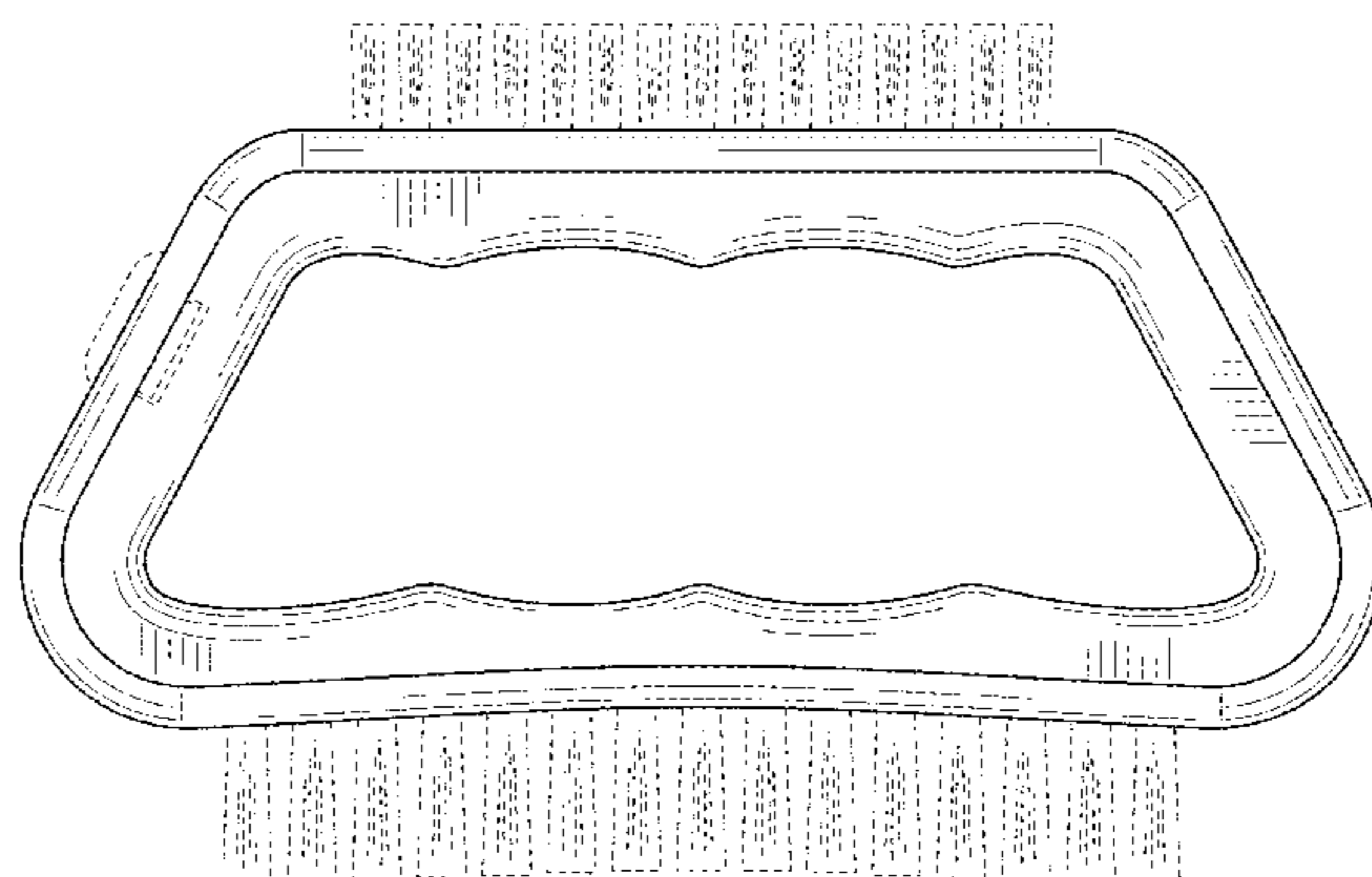
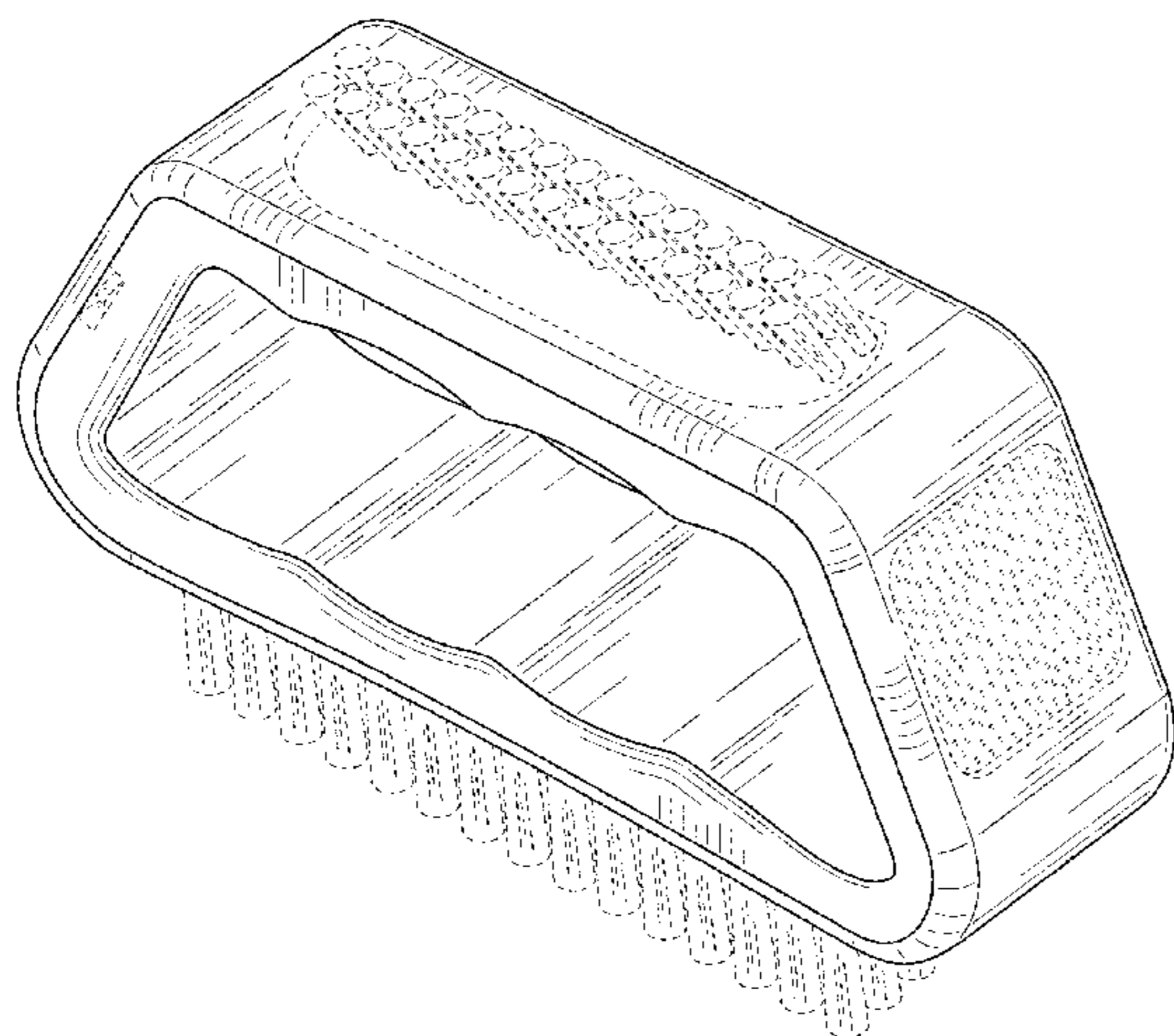
(57) **CLAIM**

The ornamental design for a nail brush, as shown and described.

DESCRIPTION

FIG. 1 is a perspective view of a front, top, and right side of an design for a nail brush;
FIG. 2 is a perspective view of a rear, top, and left side of the nail brush of FIG. 1;
FIG. 3 is a perspective view of a front, bottom, and right side of the nail brush of FIG. 1;
FIG. 4 is a right side elevational view of the nail brush of FIG. 1;
FIG. 5 is a left side elevational view of the nail brush of FIG. 1;
FIG. 6 is a front elevational view of the nail brush of FIG. 1;
FIG. 7 is a rear elevational view of the nail brush of FIG. 1;
FIG. 8 is a top plan view of the nail brush of FIG. 1; and, FIG. 9 is a bottom plan view of the nail brush of FIG. 1. The dash-dash-dash lines are included for the purpose of illustrating portions of the nail brush that form no part of the claimed design.

1 Claim, 7 Drawing Sheets



(58) **Field of Classification Search**
 CPC 2200/1006; A46B 2200/1013; A46B
 2200/102; A46B 2200/104; A46B
 2200/1093; A46B 2200/30; A46B
 2200/3033; A46B 2200/304; A46B
 2200/306; A46B 2200/3086; A46B
 2200/40; A46B 5/0016; A46B 9/025;
 A45D 29/17

See application file for complete search history.

(56) **References Cited**

U.S. PATENT DOCUMENTS

2,802,229	A	8/1957	Bangs	
D190,318	S *	5/1961	Vallis	D4/129
3,354,492	A	11/1967	Baumgartner	
3,467,978	A	9/1969	Golden	
D235,942	S *	7/1975	Rocke	D4/129
D240,473	S *	7/1976	Parker	D4/129
D454,250	S *	3/2002	Forrest	D4/100
6,536,065	B2	3/2003	Forrest	
RE39,185	E	7/2006	Noe et al.	
D557,016	S *	12/2007	Garland	D4/120
D613,070	S *	4/2010	Huang	D4/129
8,464,388	B2	6/2013	Chen	
8,595,887	B2	12/2013	Hiltmann	
8,881,334	B2	11/2014	Jossem et al.	
9,095,373	B2	8/2015	Guynn et al.	
9,302,384	B2	4/2016	Goddard	
D825,934	S *	8/2018	Forrest	D4/134
2008/0289130	A1	11/2008	Bubbers	
2017/0127818	A1	5/2017	Wagstaff	

FOREIGN PATENT DOCUMENTS

CN	205358669	U	7/2016
DE	3410043	A1	9/1985

DE	202004005262	U1	6/2004
DE	202016106115	U1	12/2016
EP	0880917	B1	8/2002
GB	503744	A	4/1939
GB	768497	A	2/1957
RU	91510	U1	2/2010
WO	2007115512	A1	10/2007

OTHER PUBLICATIONS

“Lola Hand an Nail Brush (Colors Vary)—1 Brush,” URL: <https://www.amazon.com/Lola-Hand-Nail-Brush-Colors/dp/B0000CFL7E>, May 31, 2017, 1 page.
 “Superio—Nail Brush (3 Pack),” URL: https://www.amazon.com/Superio-5535945-Nail-Brush-PACK/dp/B01CK9OCKC/ref=pd_sim_79_10?_encoding=UTF8&pd_rd_i=B01CK9OCKC&pd_rd_r=SCN2X2X05VYDNE97YVAT&pd_rd_w=H2grx&pd_rd_wg=tR9wP&psc=1&refRID=SCN2X2X05VYDNE97YVAT, May 31, 2017, 1 page.
 “1PC Sheepskin Wax Polishing Brush Cover Manicure Buffing Brush Nail Art Tool,” URL: <http://www.ebay.com.au/tm/1PC-Sheepskin-Wax-Polishing-Brush-Cover-Manicure-Buffing-Brush-Nail-Art-Tool/332021642284>, May 31, 2017, 3 pages.
 “1pcs 8x3.8cm Plastic Cleaning Nail Brush Tools File Nail Art Care Manicure Pedicure Soft Remove Dust Small Angle Clean LATR40,” URL: <https://www.aliexpress.com/item/1pcs-8x3-8cm-Plastic-Cleaning-Nail-Brush-Tools-File-Nail-Art-Care-Manicure-Pedicure-Soft-Remove/32702035918.html?spm=2114.40010308.4.142.w7thFT>, May 31, 2017, 3 pages.
 Ken Goldman, “Nuckle Brush,” bookofjoe, URL: <http://www.bookofjoe.com/2008/09/knuckle-brush-b.html>, Sep. 27, 2008, 3 pages.
 “Lotus Nail Brush,” URL: <http://www.oobject.com/lotus.html>, May 31, 2017, 2 pages.
 “Irving Barber Co Soft Knuckle Brush,” URL: <https://www.pomade.com/products/irving-barber-co-soft-knuckle-brush>, May 31, 2017, 4 pages.

* cited by examiner

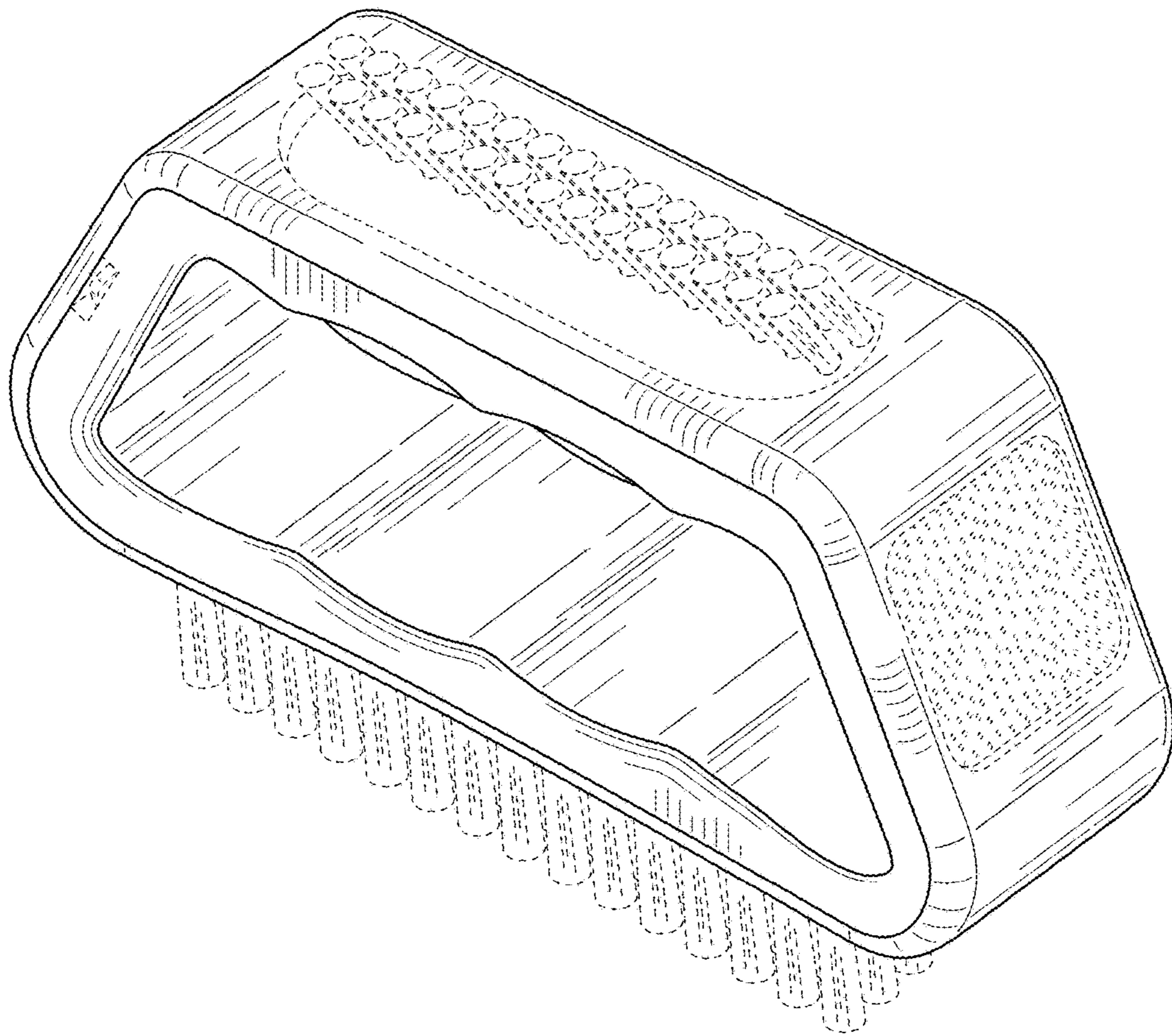


FIG. 1

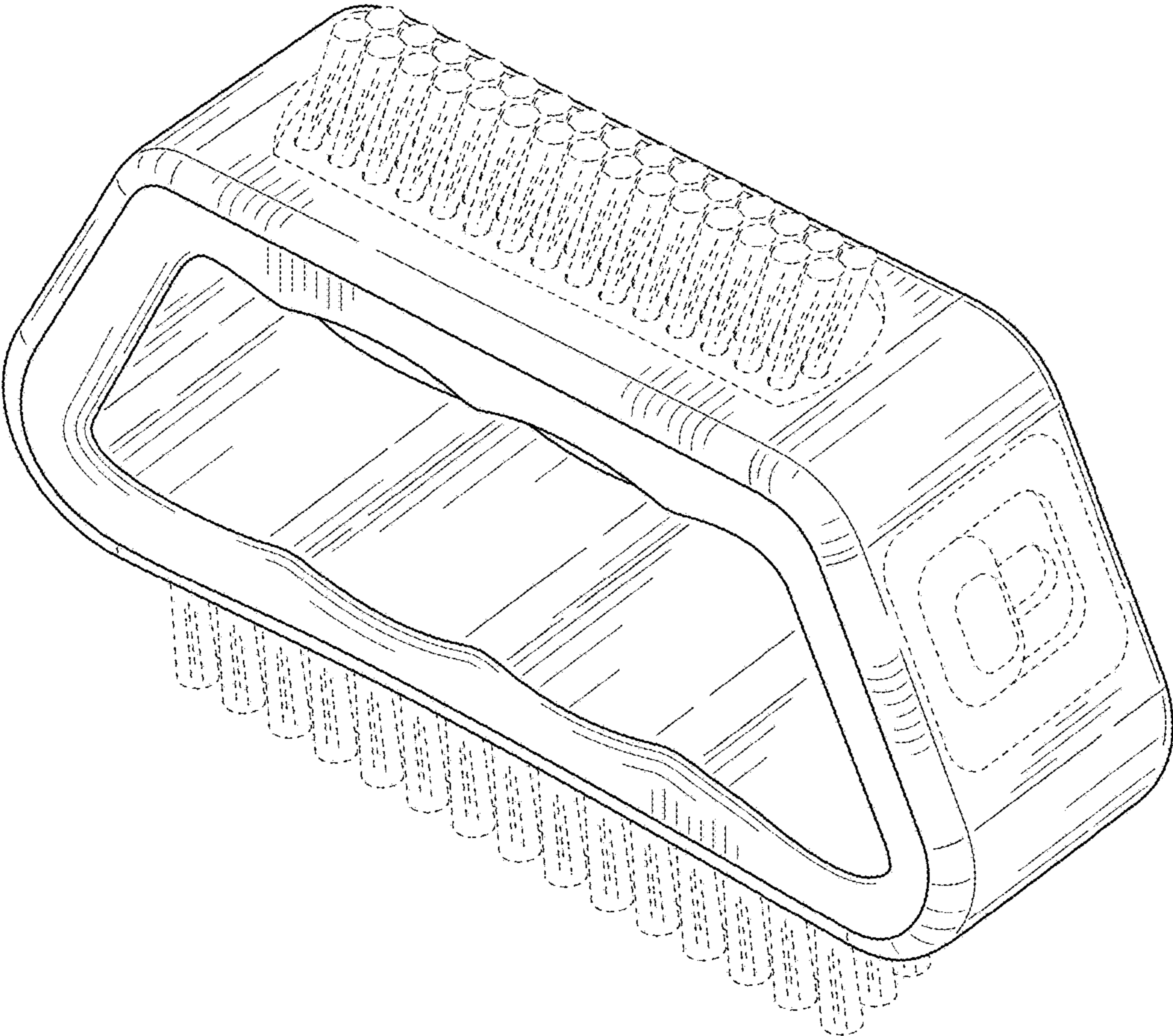


FIG. 2

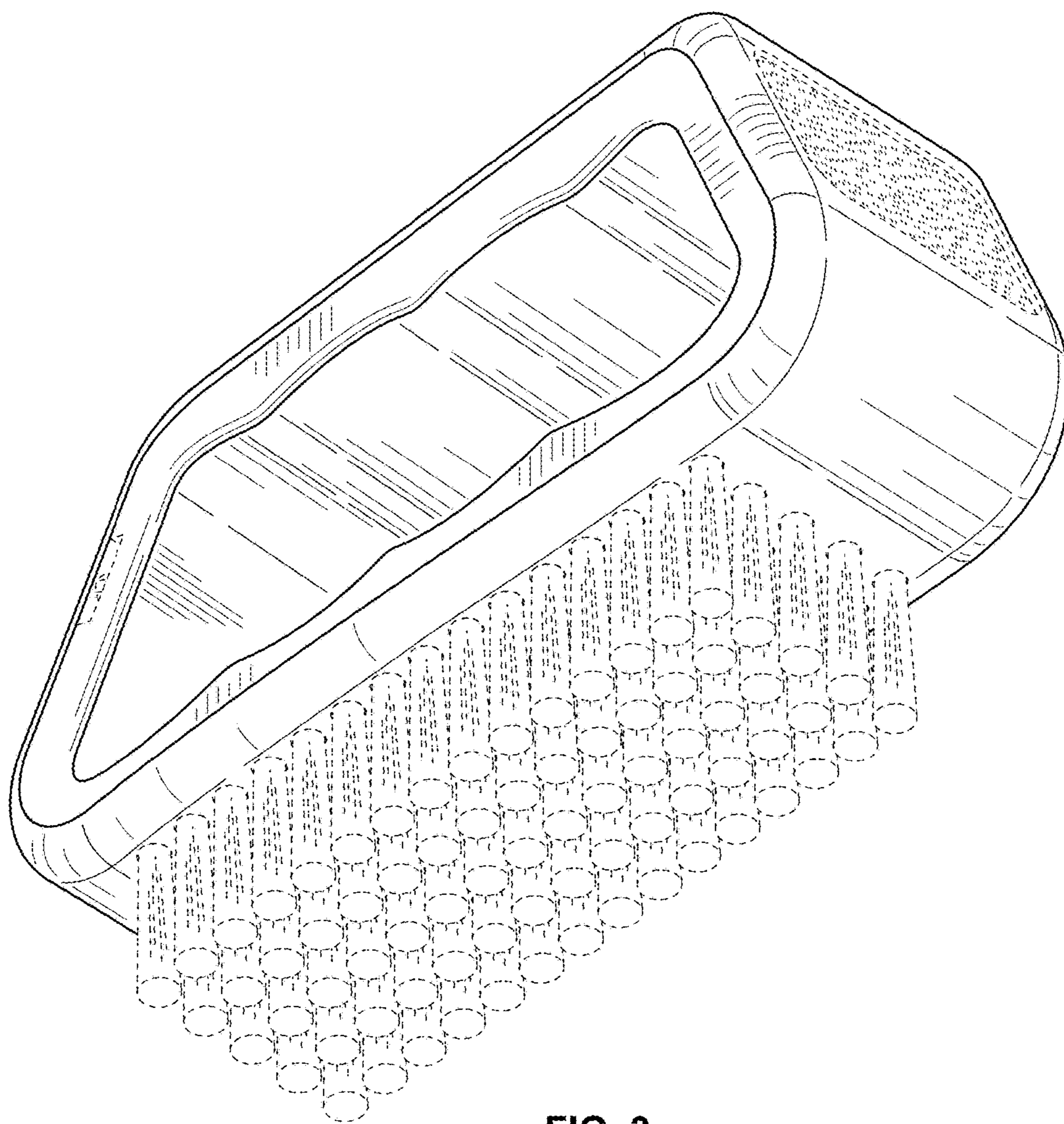


FIG. 3

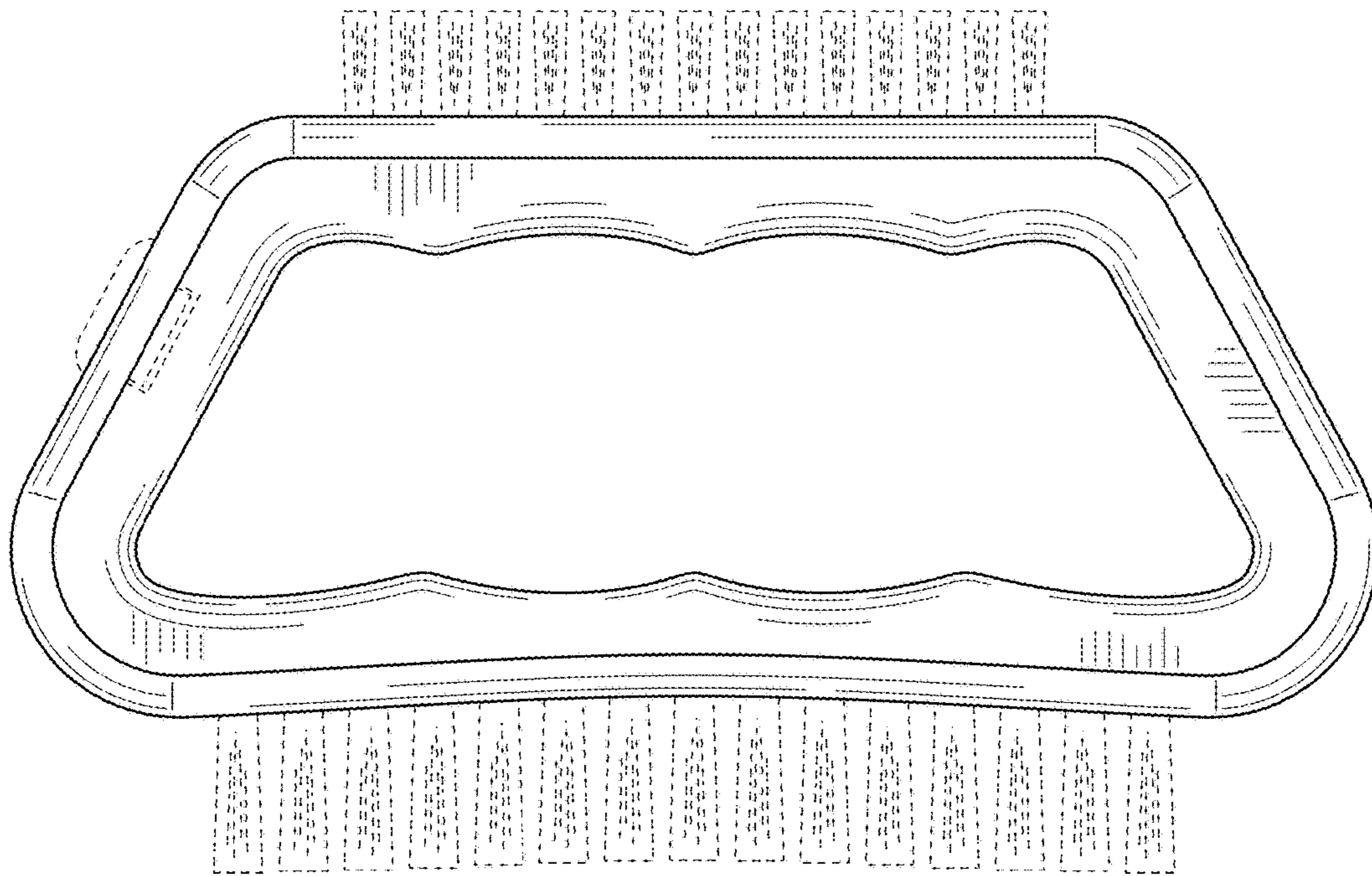


FIG. 4

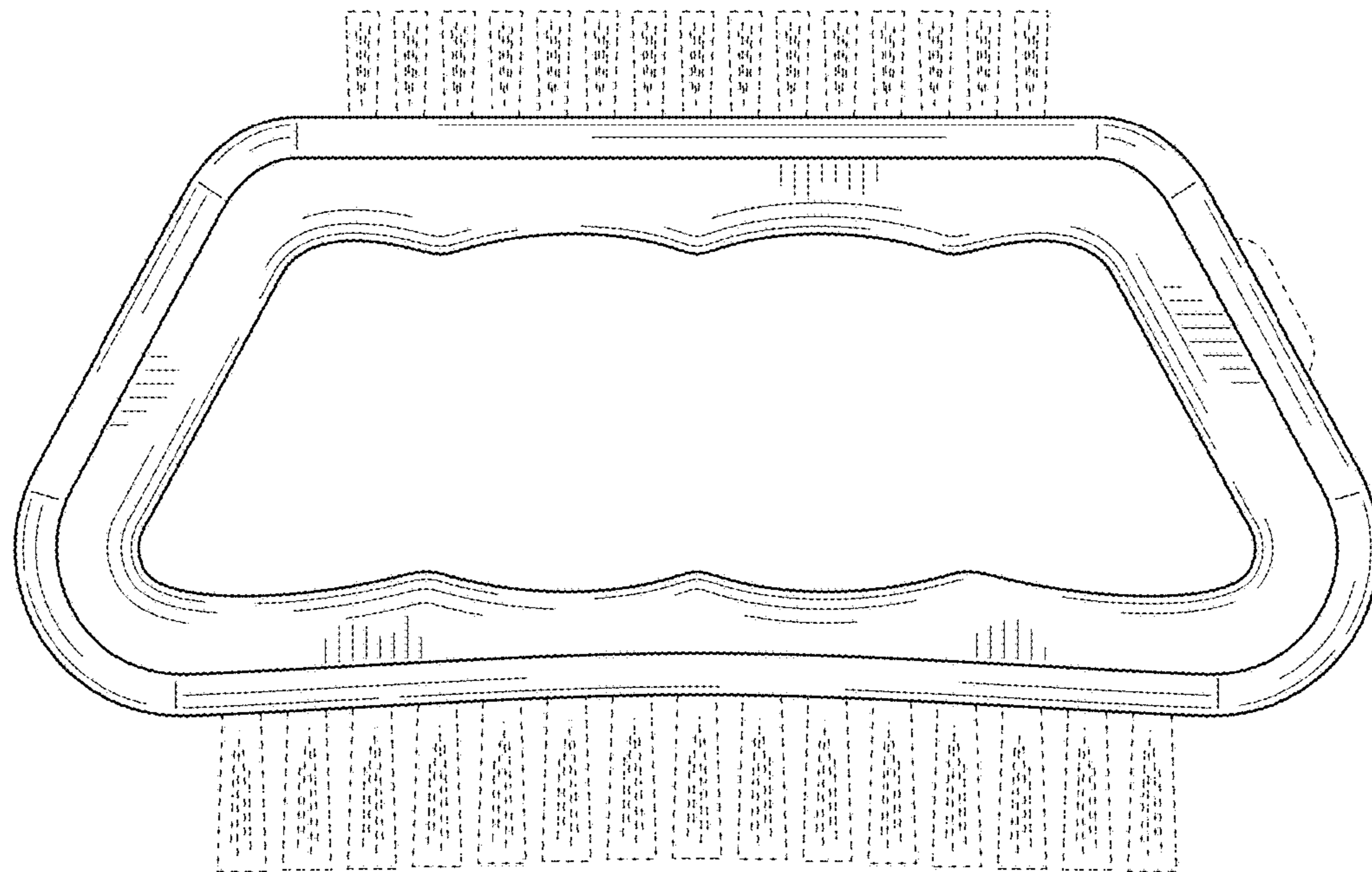


FIG. 5

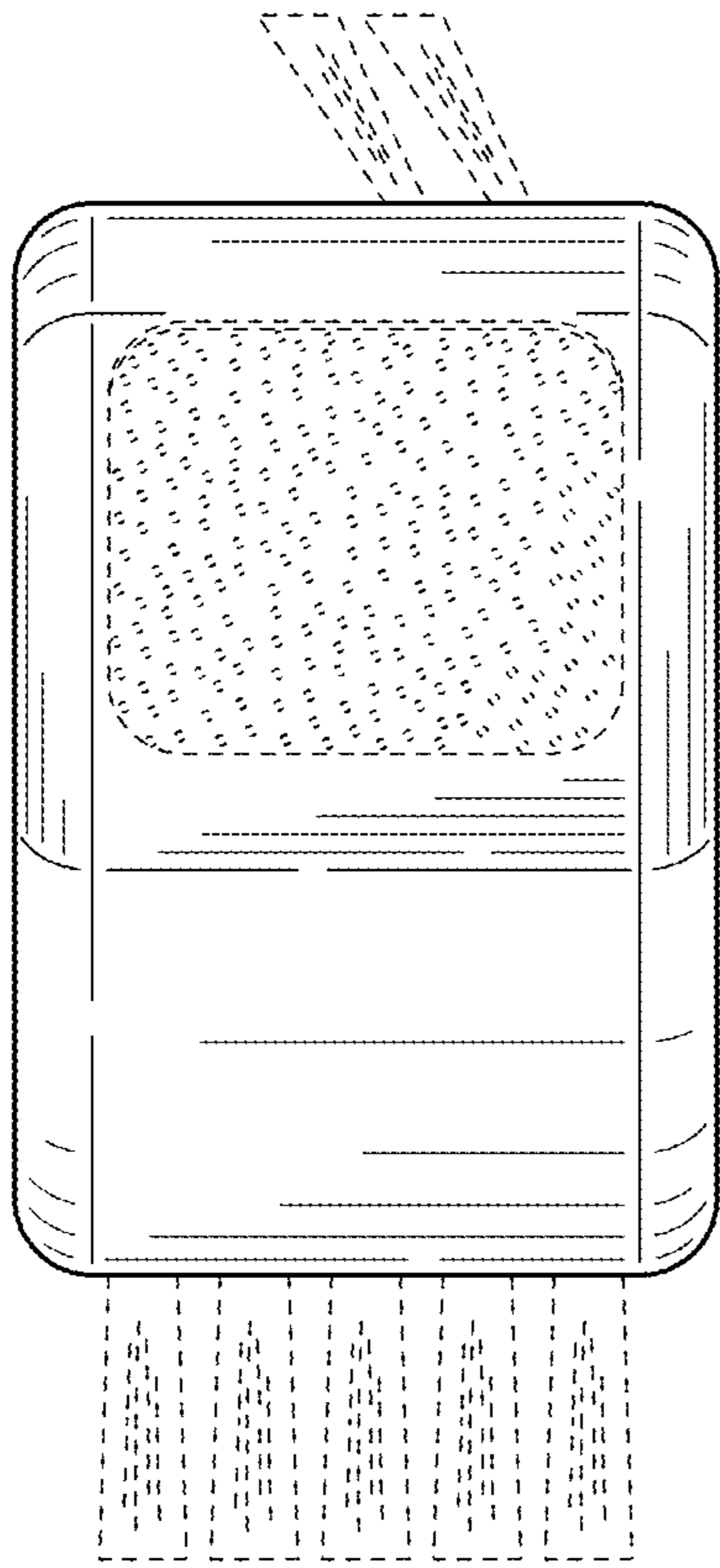


FIG. 6

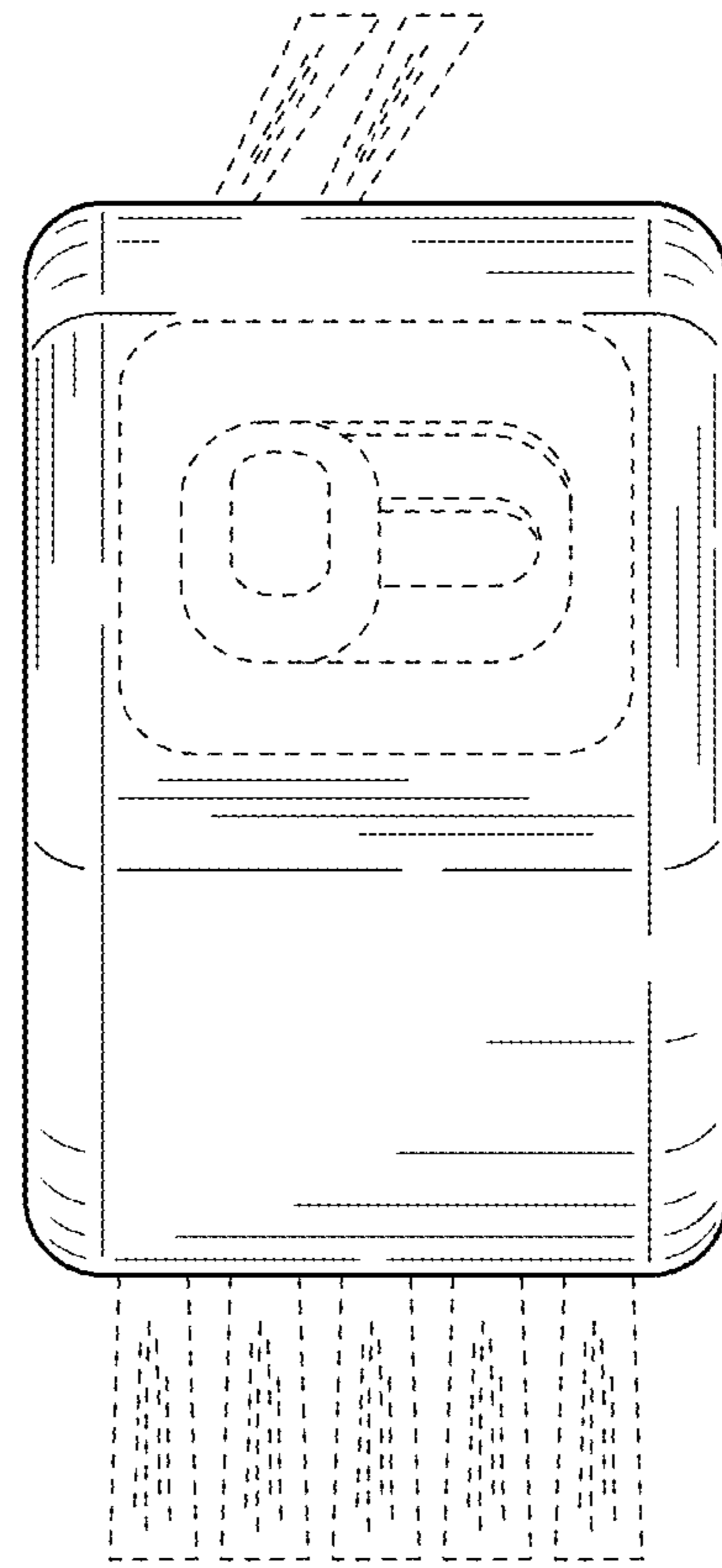


FIG. 7

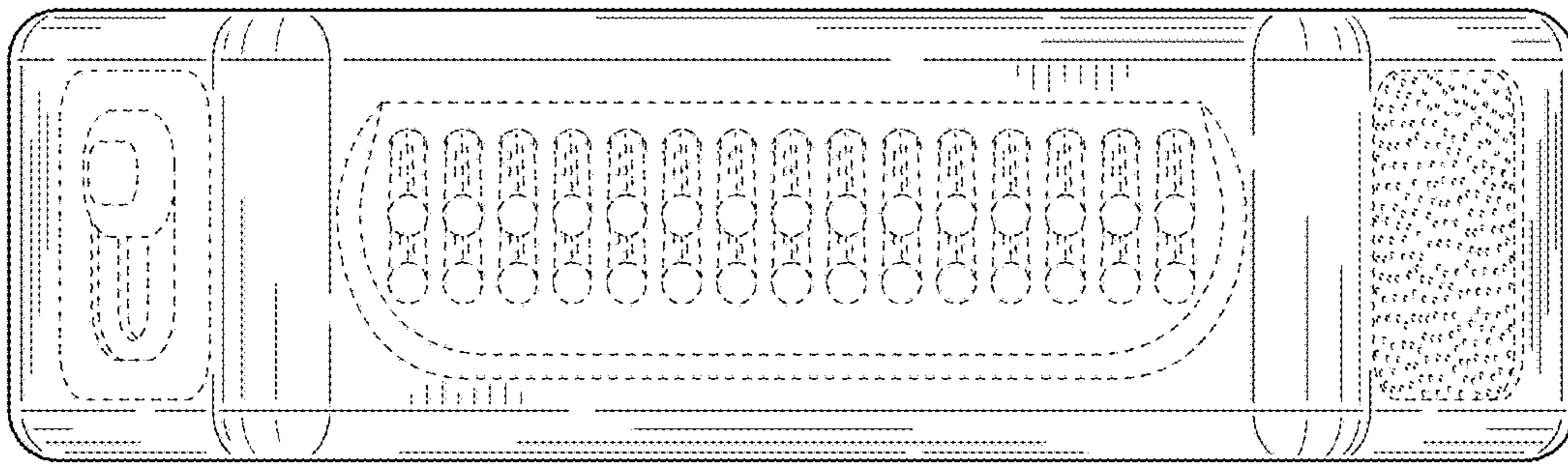


FIG. 8

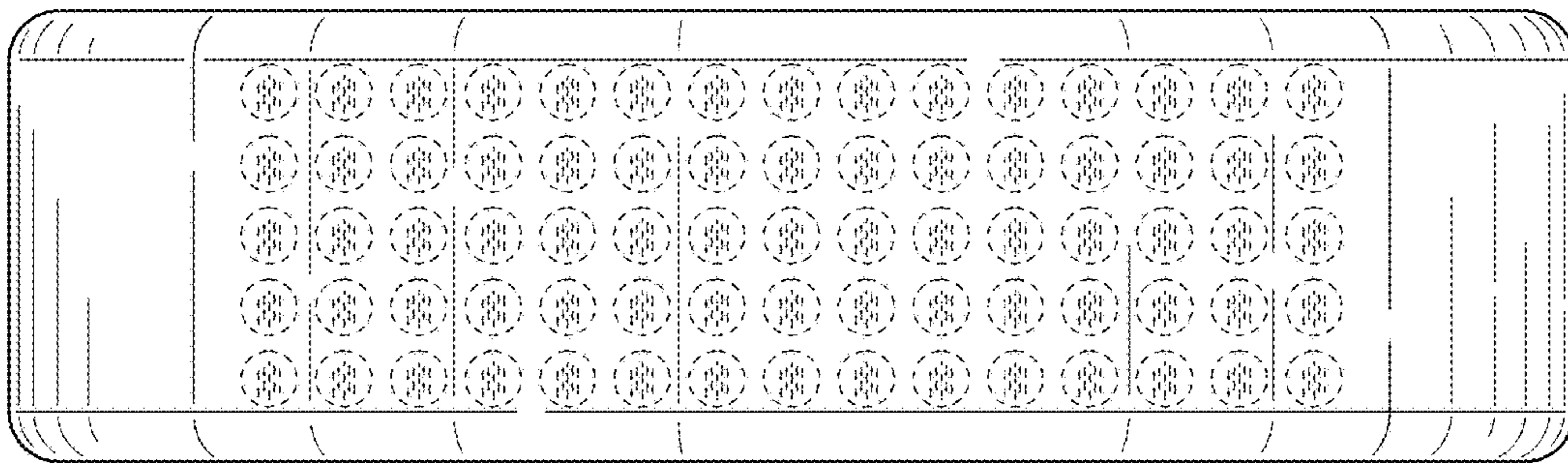


FIG. 9