



US00D845639S

(12) **United States Design Patent** (10) **Patent No.:** **US D845,639 S**
Hu (45) **Date of Patent:** **** Apr. 16, 2019**

(54) **BARBECUE GRILL BRUSH**
(71) Applicant: **Rong Hu**, Guangzhou (CN)
(72) Inventor: **Rong Hu**, Guangzhou (CN)
(**) Term: **15 Years**
(21) Appl. No.: **29/621,440**
(22) Filed: **Oct. 8, 2017**
(51) **LOC (11) Cl.** **04-01**
(52) **U.S. Cl.**
USPC **D4/118**
(58) **Field of Classification Search**
USPC D4/116, 118, 129, 131, 132; D32/40, 42,
D32/46, 49
CPC A45D 24/14; A45D 24/16; A46B 3/005;
A46B 5/00; A46B 5/02; A46B 5/021;
A46B 9/02; A46B 9/021; A46B 9/023;
A46B 13/001; A46B 13/008; A46B
15/0055; A46B 15/0081; A46B 15/0087;
A46B 17/02; A46B 2200/30; A46B
2200/104; A46B 2200/106; A46B
2200/202; A46B 2200/205; A46B
2200/207; A46B 2200/304; A46B
2200/1006; A46B 2200/1046; A46B
2200/1053; A46B 2200/3006; A46B
2200/3033; A46B 2200/3093
See application file for complete search history.

D455,272 S * 4/2002 Zemel D4/132
D456,614 S * 5/2002 Zemel D4/134
D459,088 S * 6/2002 Rowe D4/118
D459,586 S * 7/2002 Cummings D4/118
6,443,646 B1 * 9/2002 MacDonald A46B 11/00
401/25
D502,001 S * 2/2005 Hay D32/41
7,047,590 B2 * 5/2006 Neal A47J 37/0786
15/111
D530,098 S * 10/2006 Neal D4/118
D561,477 S * 2/2008 Zemel D4/118
D563,677 S * 3/2008 Zemel D4/118
D567,511 S * 4/2008 Borovicka D4/118
D579,668 S * 11/2008 Zemel D4/138
D653,037 S * 1/2012 Enders D4/116
D690,116 S * 9/2013 Zemel D4/118
8,615,838 B1 * 12/2013 Lu A47L 13/12
15/111
2005/0011029 A1 * 1/2005 Yu A47L 13/12
15/111

(Continued)

Primary Examiner — Keli L Hill
(74) *Attorney, Agent, or Firm* — W&K IP (Wayne & King)

(57) **CLAIM**

The ornamental design for barbecue grill brush, as shown and described.

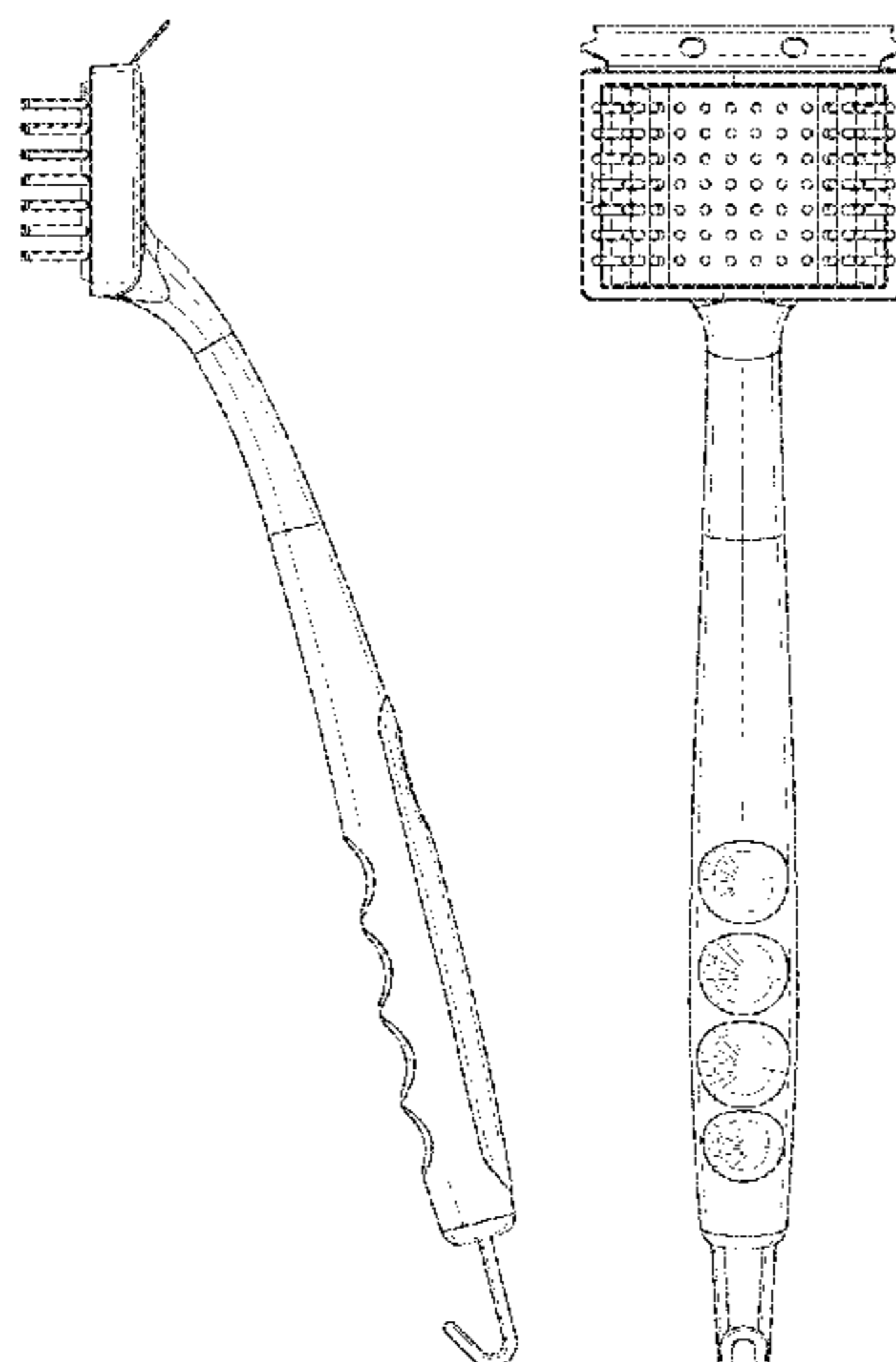
DESCRIPTION

FIG. 1 is a front elevational view of a barbecue grill brush; FIG. 2 is a left side elevational view thereof; FIG. 3 is a right side elevational view thereof; FIG. 4 is a top plan view thereof; FIG. 5 is a bottom plan view thereof; and, FIG. 6 is a rear view thereof. The broken lines are for the purposes of illustrating portions of the barbecue grill brush and form no part of the claimed design.

1 Claim, 6 Drawing Sheets

(56) **References Cited**
U.S. PATENT DOCUMENTS

D238,316 S * 1/1976 Khan D4/136
D279,648 S * 7/1985 Fini 401/137
D307,077 S * 4/1990 Bryant D32/49
D309,379 S * 7/1990 Dawes D4/114
D358,491 S * 5/1995 Hoagland D32/42
D412,064 S * 7/1999 Achepohl D4/104
6,061,862 A * 5/2000 Whitaker A21B 3/16
15/111
D429,889 S * 8/2000 Fielding D32/42



(56)

References Cited

U.S. PATENT DOCUMENTS

2009/0188061 A1* 7/2009 Cybulski A47J 37/0786
15/111

* cited by examiner

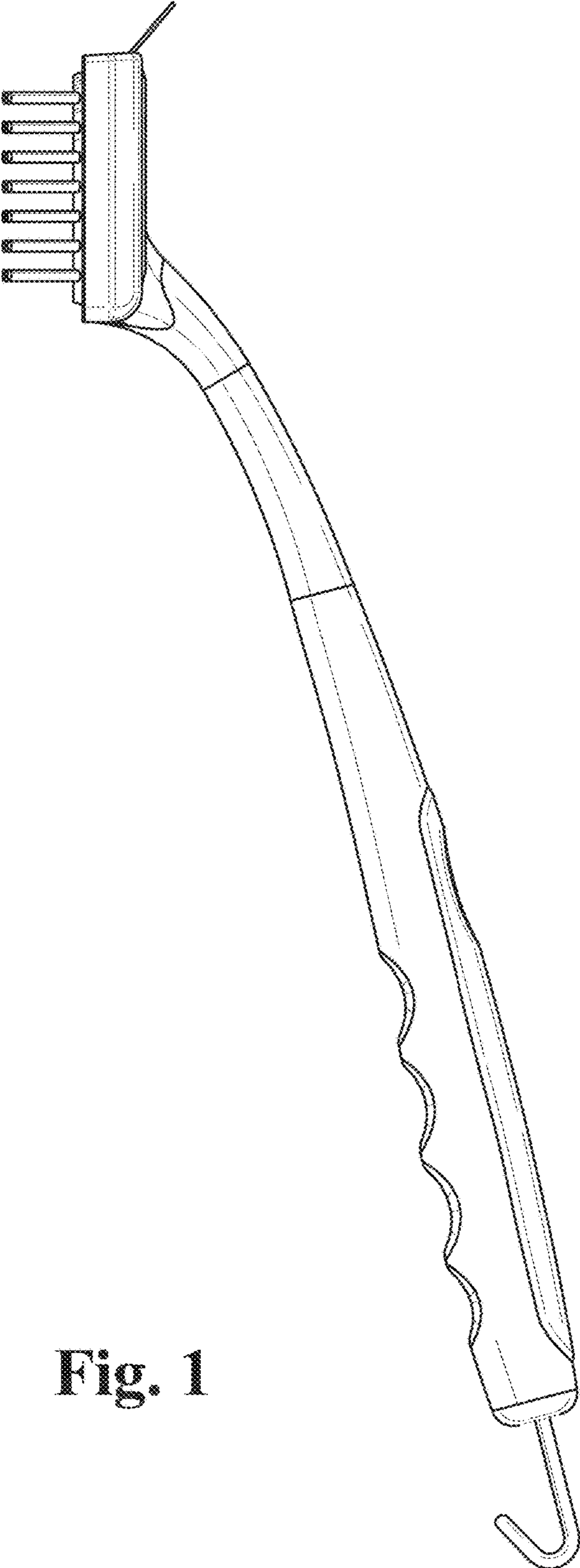


Fig. 1

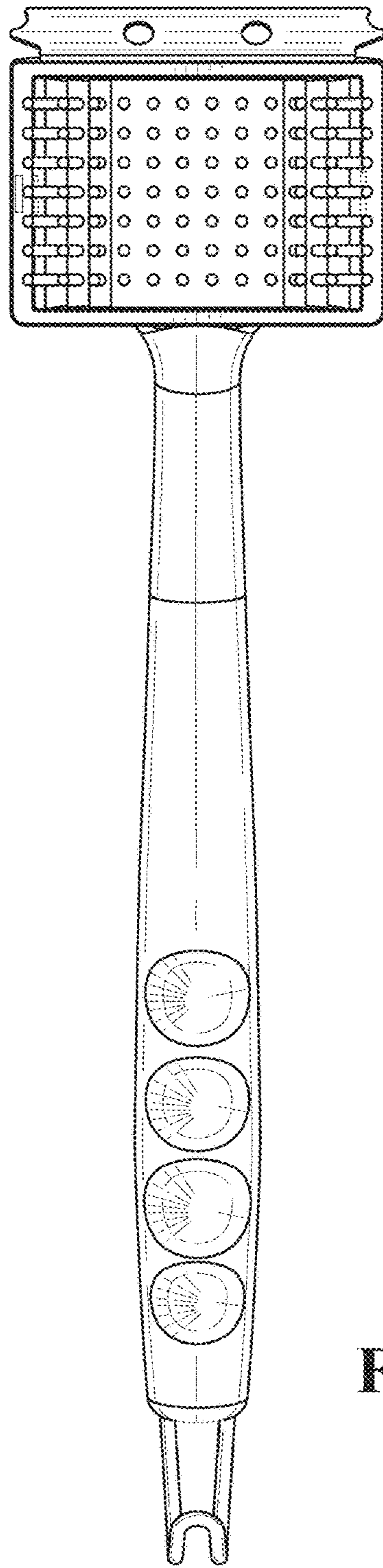


Fig. 2

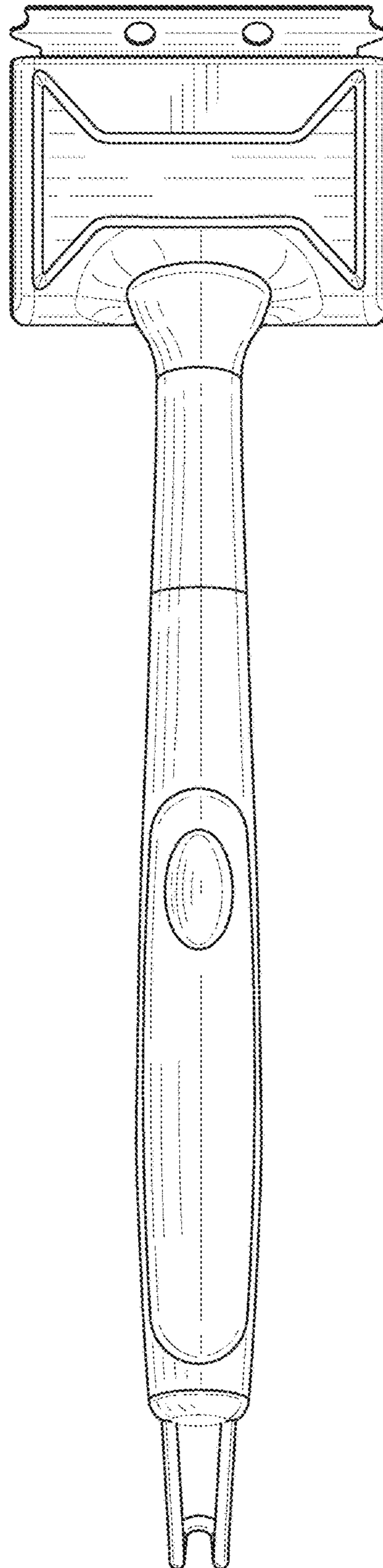


Fig. 3

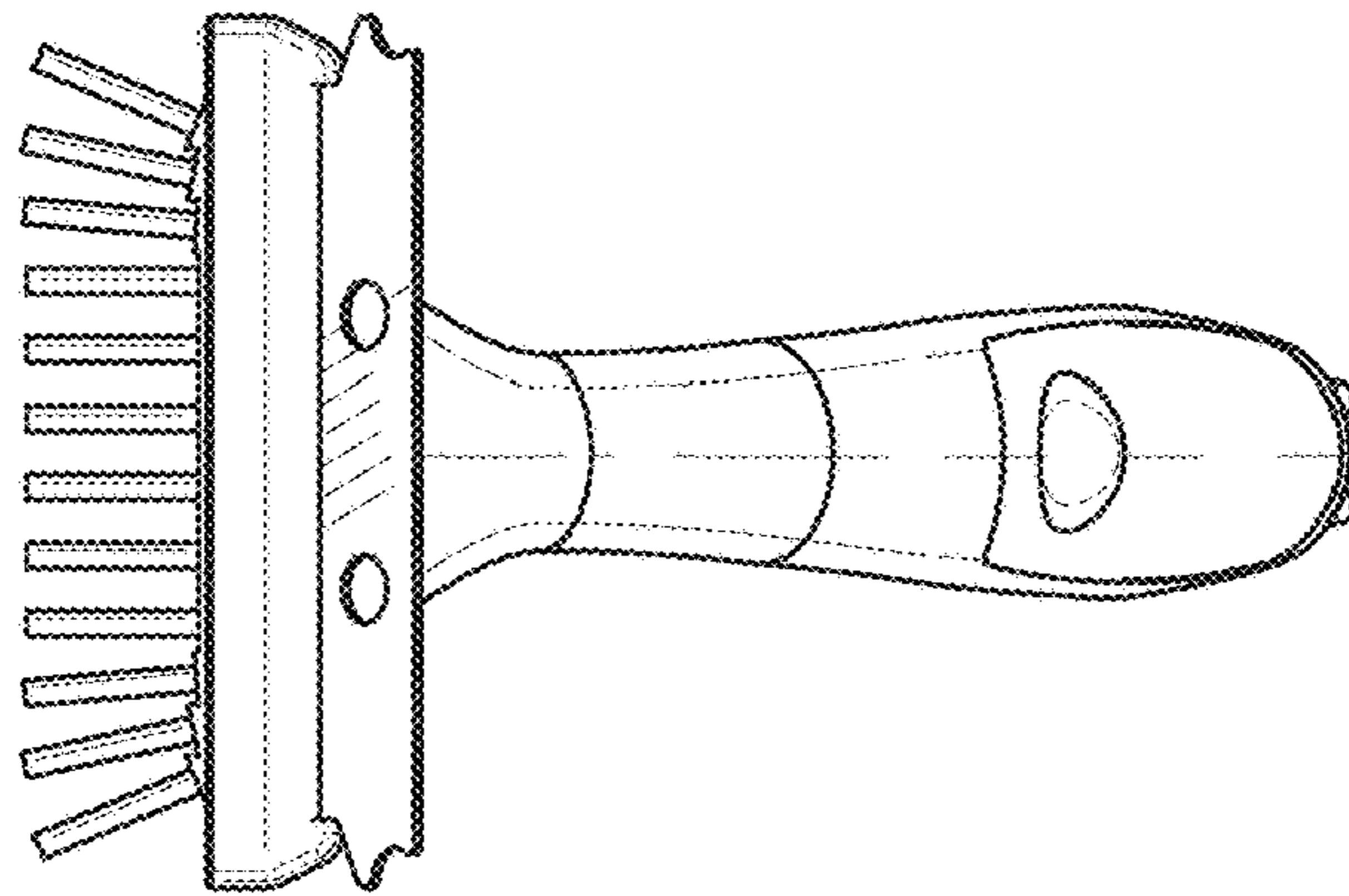


Fig. 4

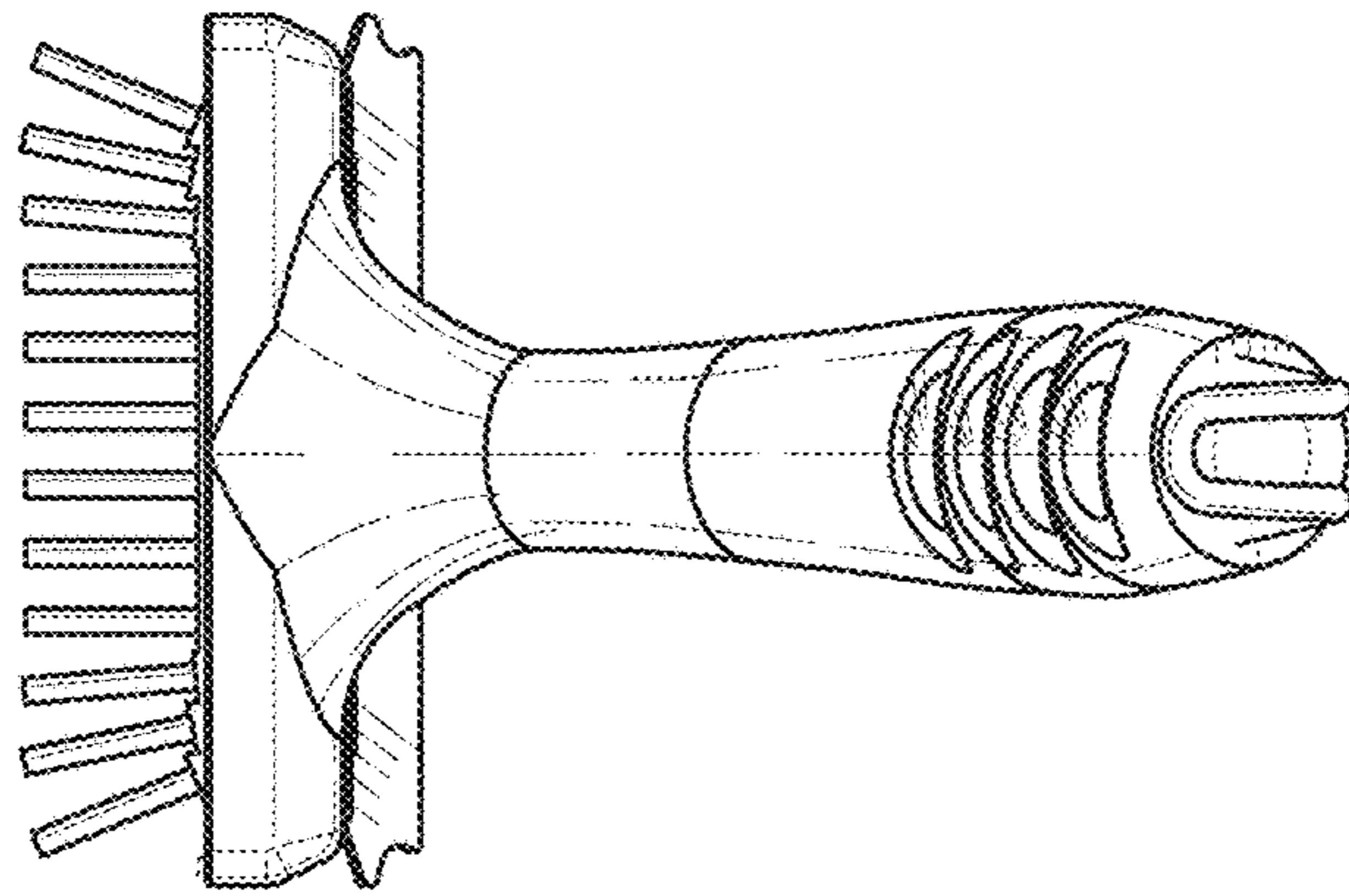


Fig. 5

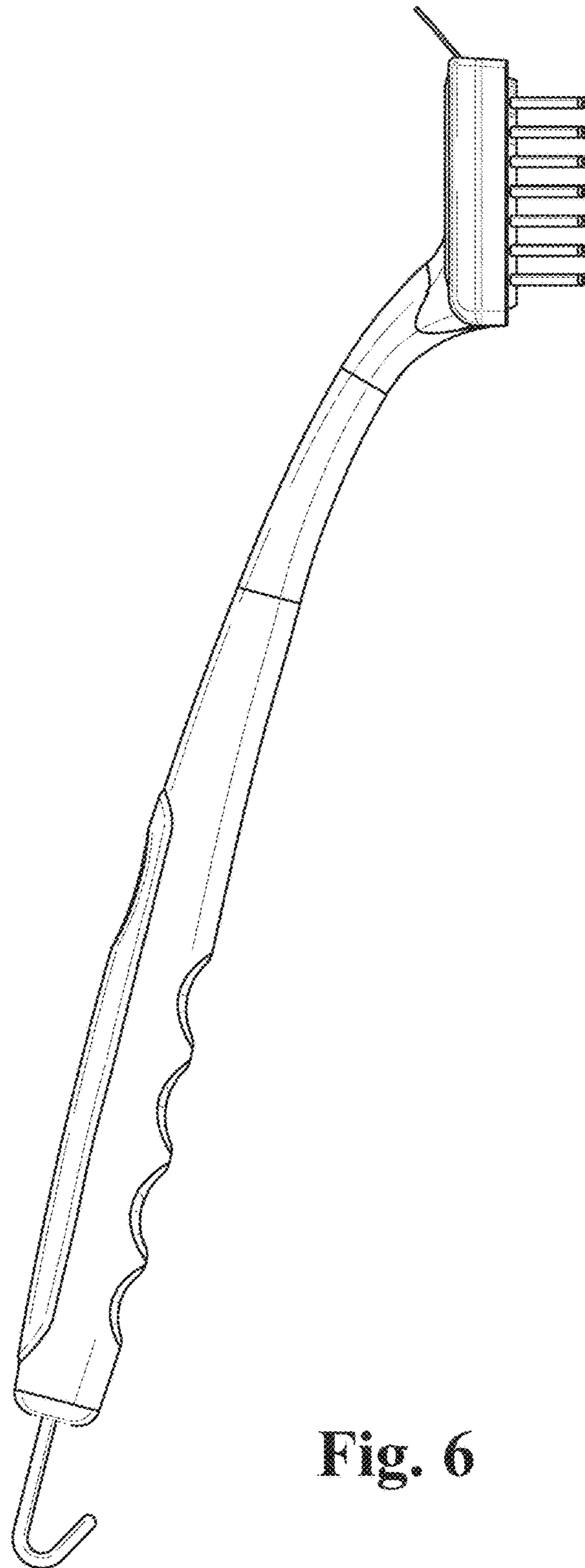


Fig. 6