



US00D845628S

(12) **United States Design Patent** (10) **Patent No.:** **US D845,628 S**
Hollinger (45) **Date of Patent:** **** Apr. 16, 2019**

- (54) **TOTE BAG** 5,044,699 A 9/1991 Duty
- 5,265,960 A 11/1993 Shikler
- (71) Applicant: **E. MISHAN & SONS, INC.**, New York, NY (US) 5,354,131 A 10/1994 Mogil
- 5,399,020 A 3/1995 Cheng
- (72) Inventor: **Fred Hollinger**, Monroe Township, NJ (US) 5,472,279 A 12/1995 Lin
- 5,595,320 A 1/1997 Aghassipour
- (73) Assignee: **E. MISHAN & SONS, INC.**, New York, NY (US) 5,904,230 A 5/1999 Peterson
- D411,671 S * 6/1999 Hamblin D32/36
- D413,723 S 9/1999 Quansah
- (**) Term: **15 Years** D419,770 S 2/2000 Mogil
- 6,048,099 A 4/2000 Muffett et al.
- (21) Appl. No.: **29/663,834** 6,068,402 A 5/2000 Freese et al.
- 6,230,950 B1 5/2001 Heetman
- (22) Filed: **Sep. 19, 2018** D447,628 S 9/2001 Haapala
- 6,409,066 B1 6/2002 Schneider et al.
- 6,640,856 B1 11/2003 Tucker
- D587,009 S 2/2009 Mailet
- D587,010 S 2/2009 Deck
- D602,254 S 10/2009 Cutler

(Continued)

Related U.S. Application Data

- (63) Continuation of application No. 29/648,930, filed on May 24, 2018, now Pat. No. Des. 831,959.
- (51) **LOC (11) Cl.** **03-01**
- (52) **U.S. Cl.**
USPC **D3/318**
- (58) **Field of Classification Search**
USPC D3/232-233, 240-243, 245-246, 318
CPC A45C 1/024; A45C 3/06
See application file for complete search history.

Primary Examiner — Holly H Baynham
(74) *Attorney, Agent, or Firm* — Notaro, Michalos & Zaccaria P.C.

(57) **CLAIM**

The ornamental design for a tote bag, as shown and described.

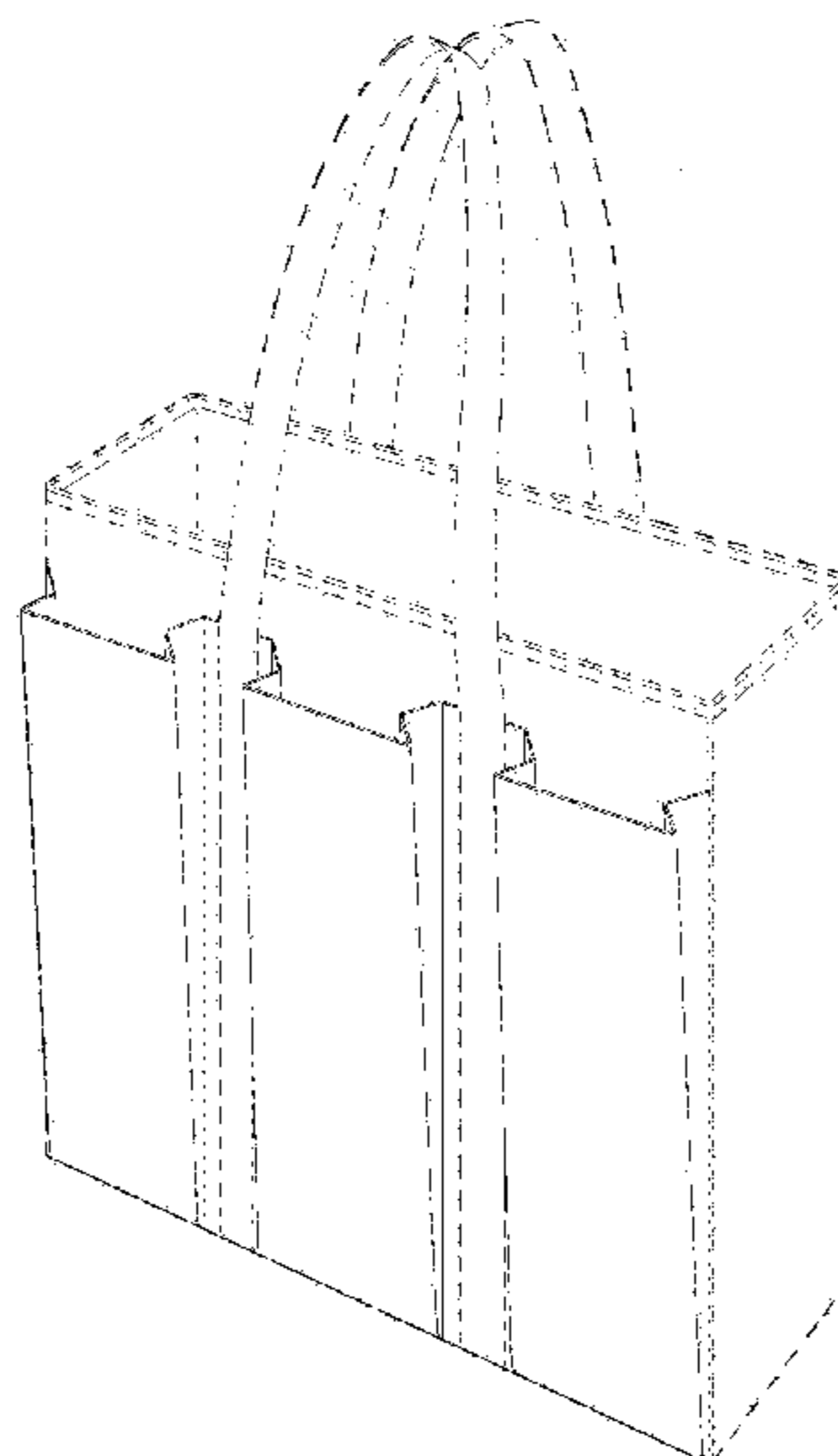
DESCRIPTION

FIG. 1 is a front, right perspective view of a tote bag showing my design therefor;
FIG. 2 is a front elevational view thereof;
FIG. 3 is a rear elevational view thereof;
FIG. 4 is a right side elevational view;
FIG. 5 is a left side elevational view thereof;
FIG. 6 is a top plan view thereof; and,
FIG. 7 is a bottom plan view thereof.
The broken lines showing a portion of the tote bag are for the purposes of illustrating environment and form no part of the claimed design.

(56) **References Cited**
U.S. PATENT DOCUMENTS

- 1,553,697 A 4/1924 Lederer
- 1,604,658 A 10/1926 Post
- 1,606,107 A 11/1926 Simms
- 1,729,318 A 9/1929 Wunderlich
- 2,575,191 A 11/1951 Seipp
- 2,661,785 A 12/1953 Daust
- 2,837,132 A 6/1958 Daust
- 4,211,091 A 7/1980 Campbell
- 4,211,267 A 7/1980 Skovgaard
- D281,546 S 12/1985 Bradshaw

1 Claim, 6 Drawing Sheets



(56)

References Cited

U.S. PATENT DOCUMENTS

7,597,478 B2	10/2009	Pruchnicki et al.	9,408,445 B2	8/2016	Mogil
7,682,080 B2	3/2010	Mogil	9,650,198 B2	5/2017	De Lesseux et al.
D620,707 S	8/2010	Mogil	D801,043 S *	10/2017	Lucas D3/246
D621,609 S	8/2010	Hasty	9,796,517 B2	10/2017	Seiders et al.
D624,310 S	9/2010	LaCorte	9,902,548 B2	2/2018	Seiders et al.
D627,199 S	11/2010	Pruchnicki	9,907,372 B2 *	3/2018	Dotey A45C 7/0095
D632,972 S *	2/2011	Yoffe D9/705	2005/0117817 A1	6/2005	Mogil et al.
D635,828 S	4/2011	Pruchnicki	2006/0198562 A1	9/2006	Mogil
8,016,090 B2	9/2011	McCoy et al.	2006/0228051 A1	10/2006	Yu
D653,849 S	2/2012	Jariwala	2009/0080808 A1	3/2009	Hagen
D656,726 S	4/2012	Flores	2009/0148076 A1	6/2009	Teng-Yao
D657,632 S	4/2012	Pruchnicki	2009/0268991 A1	10/2009	Cyr
8,628,242 B2	1/2014	Buller et al.	2010/0014785 A1	1/2010	Deck
8,993,079 B1	3/2015	Duong	2010/0084443 A1	4/2010	Adelman
9,139,352 B2	9/2015	Seiders et al.	2010/0086237 A1	4/2010	Diepen
9,254,022 B2	2/2016	Meldeau et al.	2010/0200450 A1	8/2010	Weed
9,265,318 B1	2/2016	Williams et al.	2011/0142373 A1	6/2011	Kong
9,290,313 B2	3/2016	de Lesseux et al.	2011/0167863 A1	7/2011	Herrbold
D752,860 S	4/2016	Barilaro et al.	2013/0048649 A1	2/2013	Williams
D762,378 S	8/2016	Domotor et al.	2014/0248004 A1	9/2014	Weinberg
D764,791 S *	8/2016	Patel D3/232	2015/0265015 A1	9/2015	Lee
			2016/0286918 A1	10/2016	Murphy
			2016/0309864 A1	10/2016	Mogil et al.
			2017/0280937 A1	10/2017	Mogil et al.

* cited by examiner

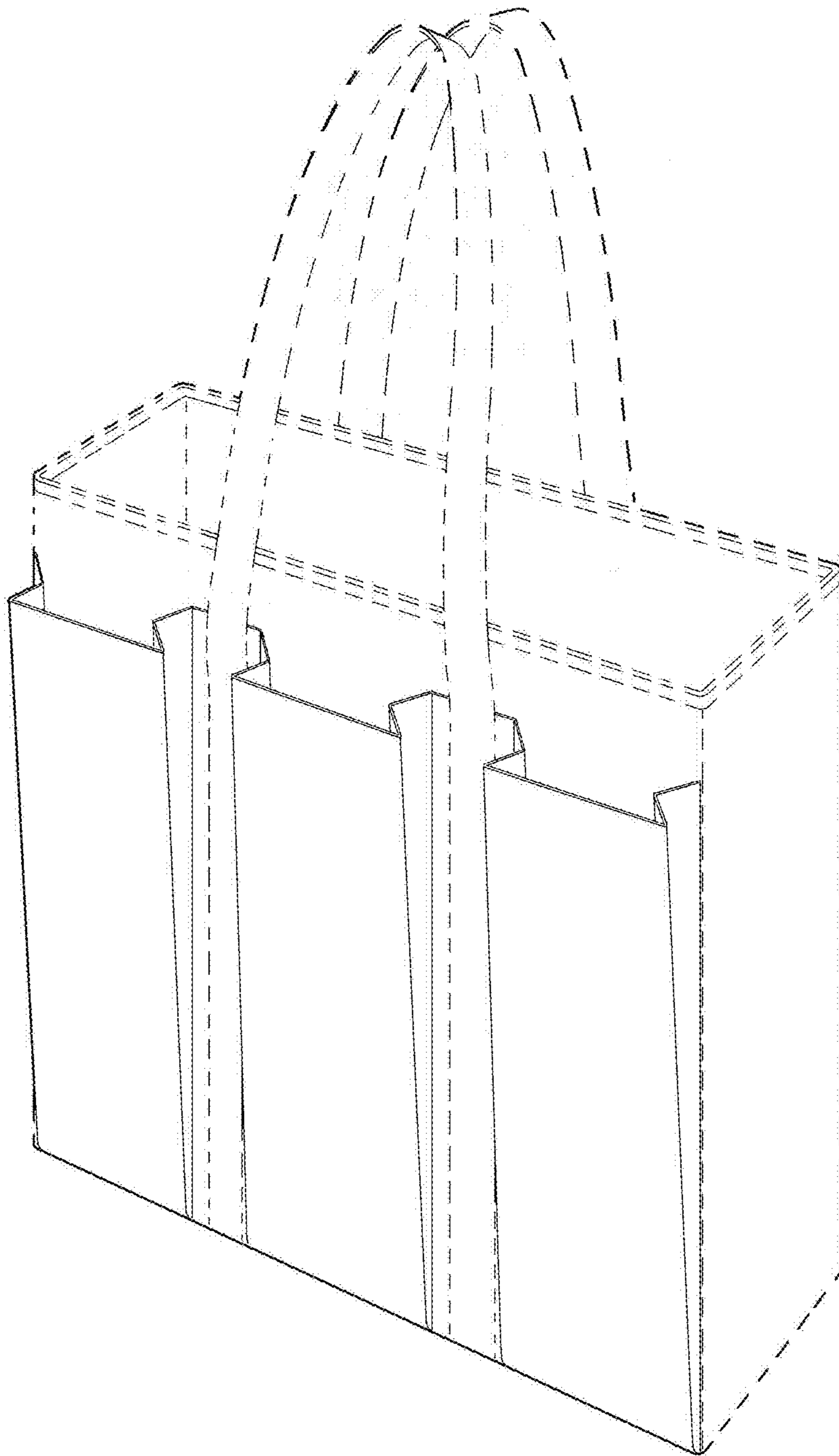


fig.1

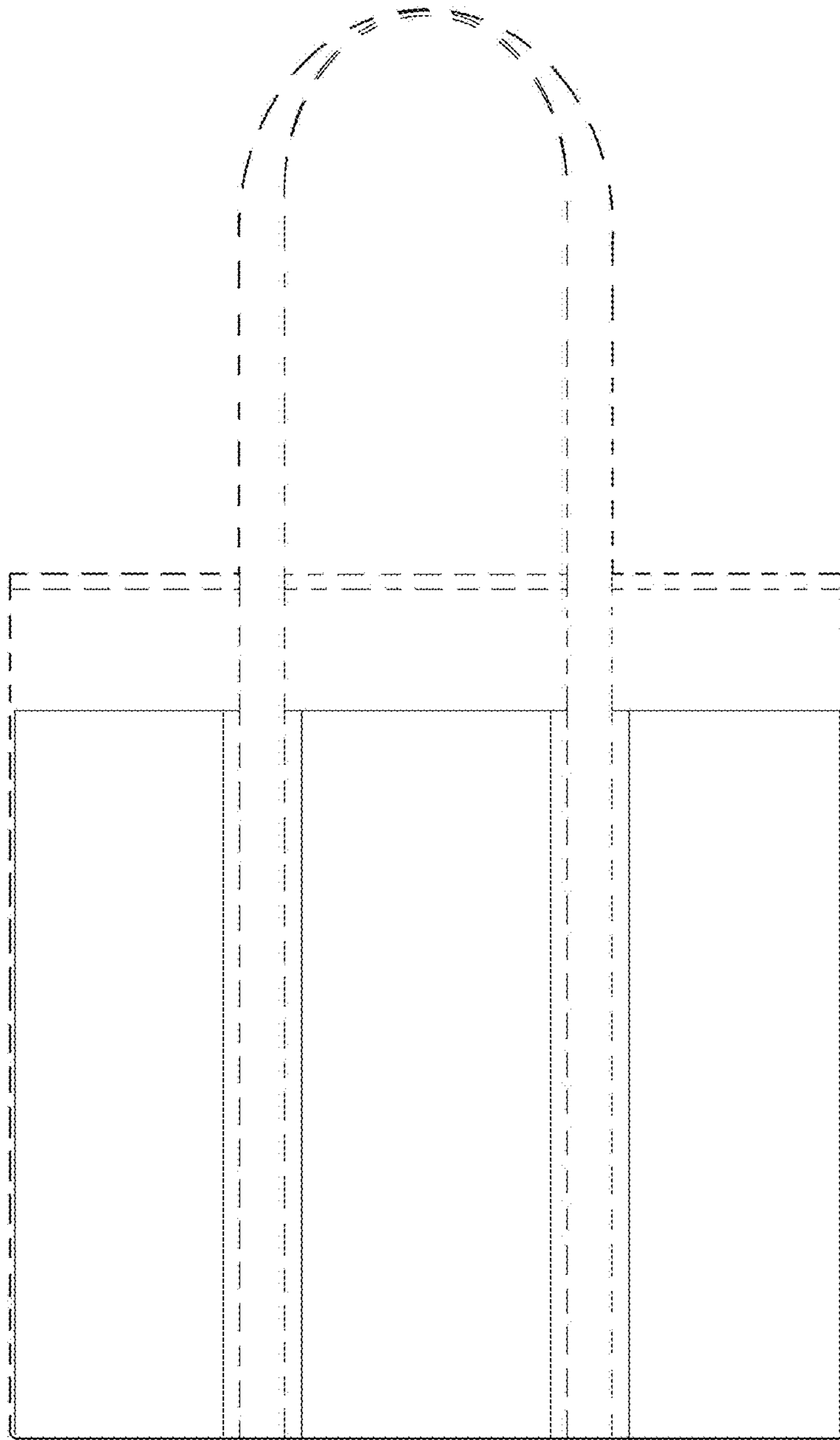


fig.2

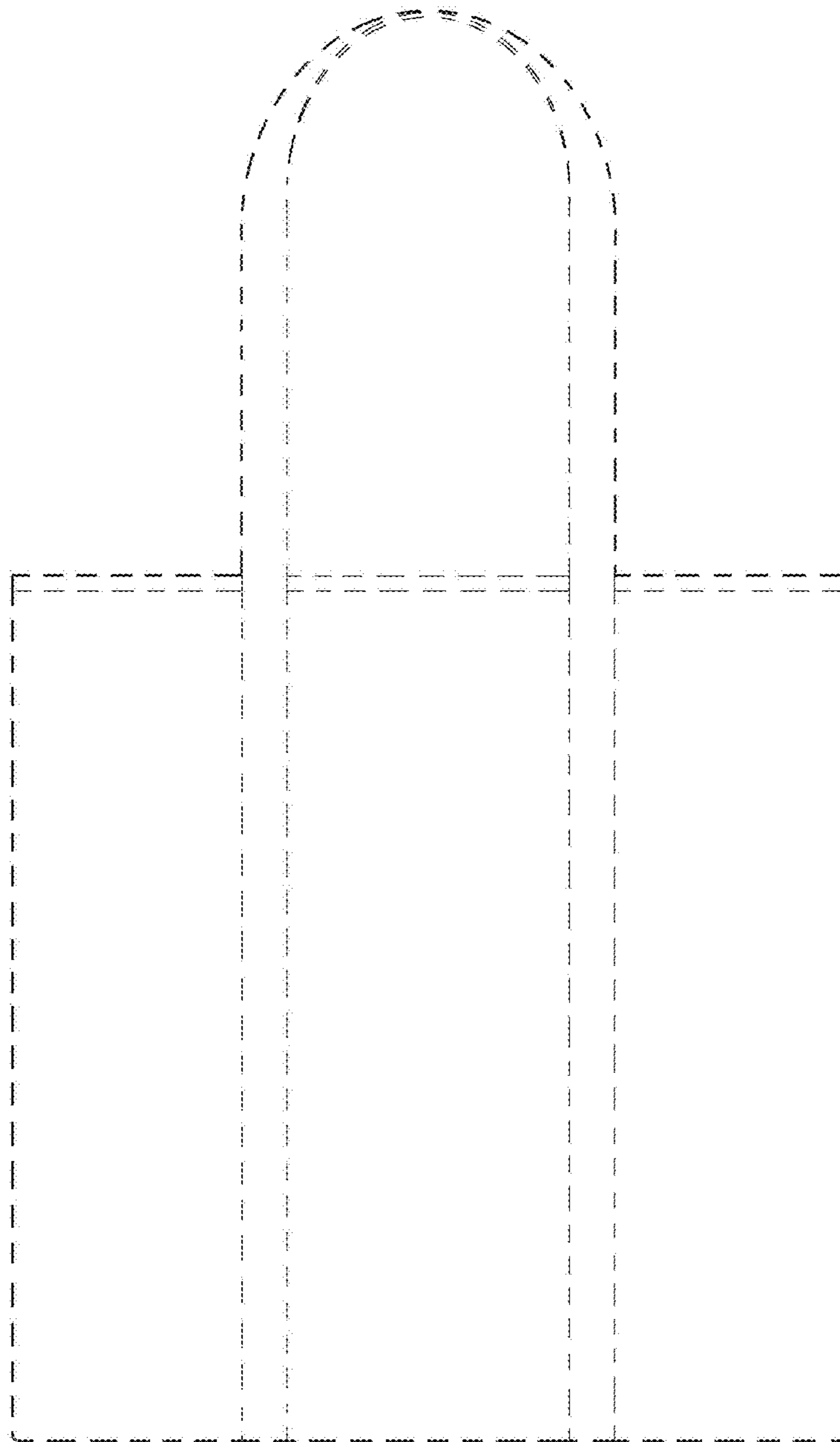


fig.3

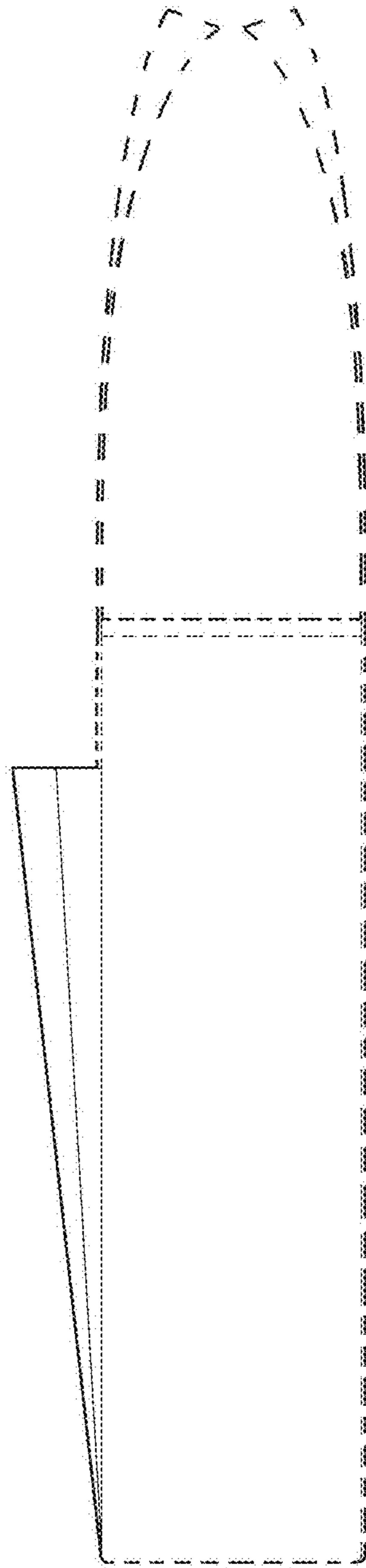


fig.4

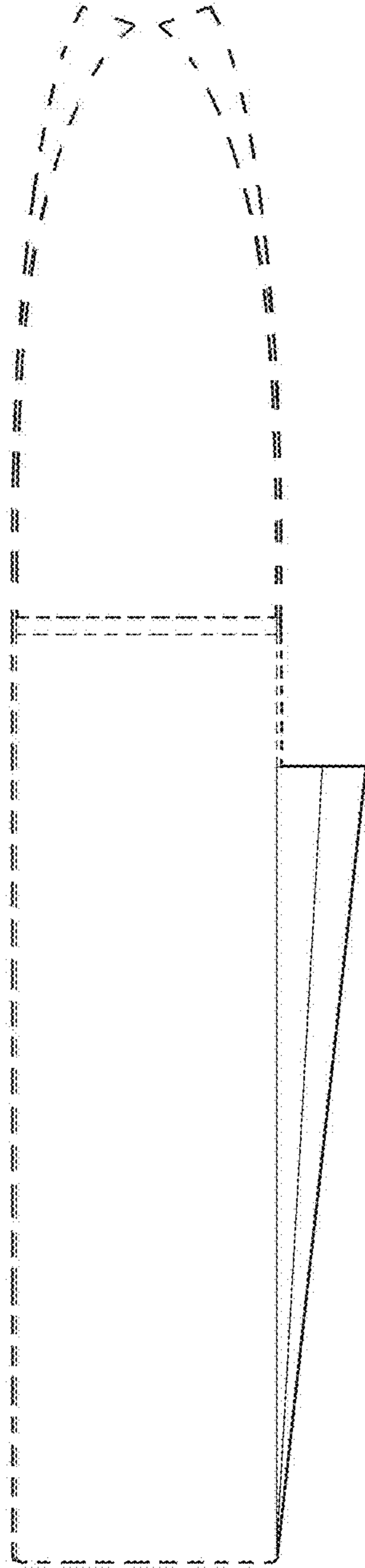


fig.5

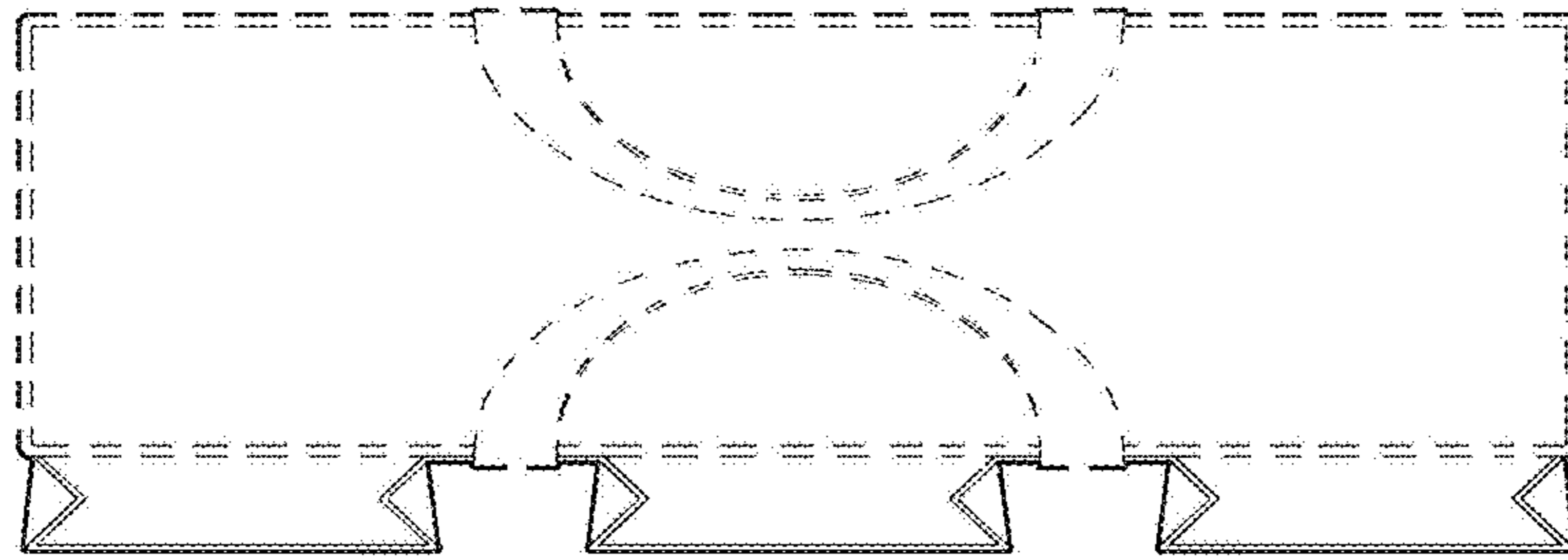


fig.6

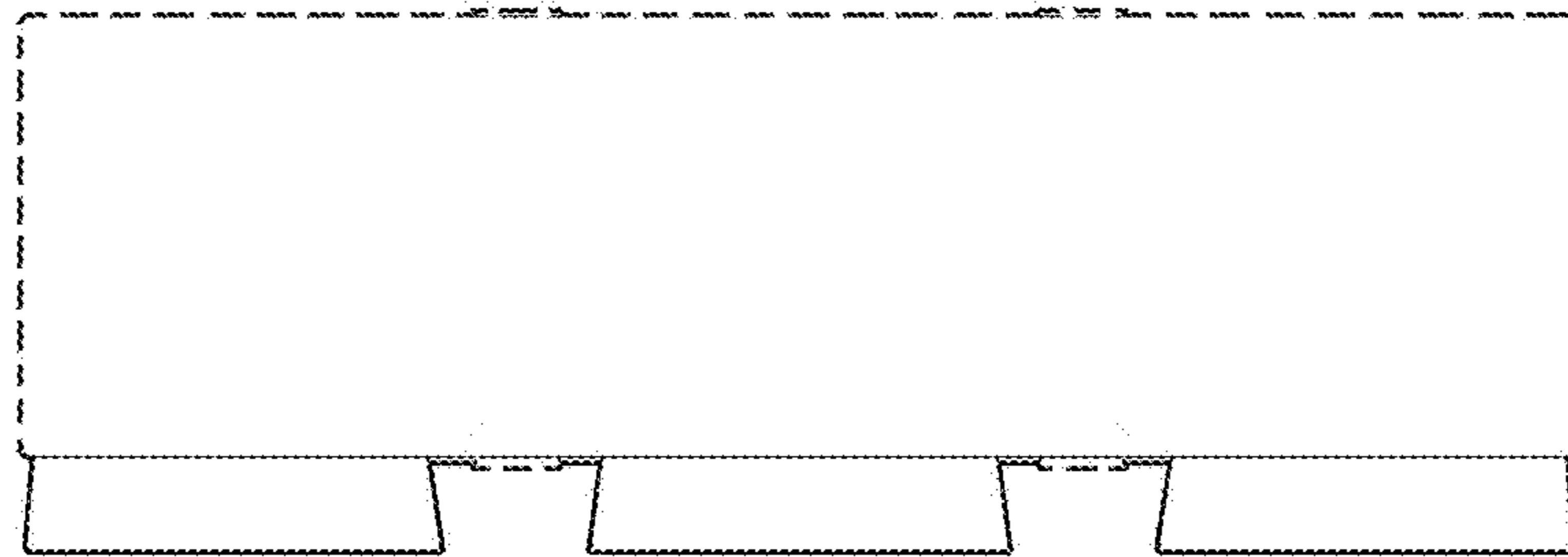


fig.7