

US00D845624S

(12) **United States Design Patent** (10) **Patent No.:** **US D845,624 S**
Routh et al. (45) **Date of Patent:** **** Apr. 16, 2019**

(54) **LARGE MERCHANDISE CASE**

Primary Examiner — Jennifer Rivard

Assistant Examiner — April Rivas

(71) Applicants: **Daniel Nolan Routh**, Siler City, NC
(US); **C. Trent Canupp**, Siler City, NC
(US)

(74) *Attorney, Agent, or Firm* — Olive Law Group, PLLC

(72) Inventors: **Daniel Nolan Routh**, Siler City, NC
(US); **C. Trent Canupp**, Siler City, NC
(US)

(57) **CLAIM**

We claim the ornamental design for a large merchandise case, as shown and described.

(**) **Term:** **15 Years**

DESCRIPTION

(21) Appl. No.: **29/597,039**

This application is related to U.S. Design application Ser. No. 29/597,106, filed Mar. 14, 2017, and titled Mini Merchandise Case.

(22) Filed: **Mar. 14, 2017**

(51) **LOC (11) Cl.** **03-01**

(52) **U.S. Cl.**
USPC **D3/272**; D3/274; D3/279

(58) **Field of Classification Search**
USPC D3/269, 272, 273, 274, 276, 279, 281,
D3/282, 283, 288, 290, 294, 298, 299,
D3/905, 217; D34/12, 14, 17, 19, 20, 18,
D34/23, 24, 25, 27
CPC B62B 1/00; B62B 3/00; B25H 3/00; B25H
3/003; B25H 3/02; B25H 5/00; A45C
7/00; A45C 5/00; A45C 5/005; A45C
2005/037;

FIG. 1 is a top left perspective view of a large merchandise case showing my new design;
FIG. 2 is a front side view thereof;
FIG. 3 is a rear side view thereof;
FIG. 4 is a left side view thereof;
FIG. 5 is a right side thereof;
FIG. 6 is a top view thereof;
FIG. 7 is a bottom view thereof;
FIG. 8 is a left side view of the case flipped upside down with the bottom lid open, exposing the inner compartments, thereof;
FIG. 9 is a right side perspective view, showing the top lid open and the leg attachments within, thereof;
FIG. 10 is a right side perspective view, with a single leg attached, thereof;
FIG. 11 is a right side perspective view, with two legs attached, thereof;
FIG. 12 is a left side perspective view, with all legs attached, thereof; and,
FIG. 13 is a left perspective view, with all legs attached and the bottom lid open, thereof.

(Continued)

(56) **References Cited**

U.S. PATENT DOCUMENTS

D247,993 S * 5/1978 Calzone, III D3/204
D332,466 S * 1/1993 Logan D19/113
D351,502 S * 10/1994 Weir D3/272

(Continued)

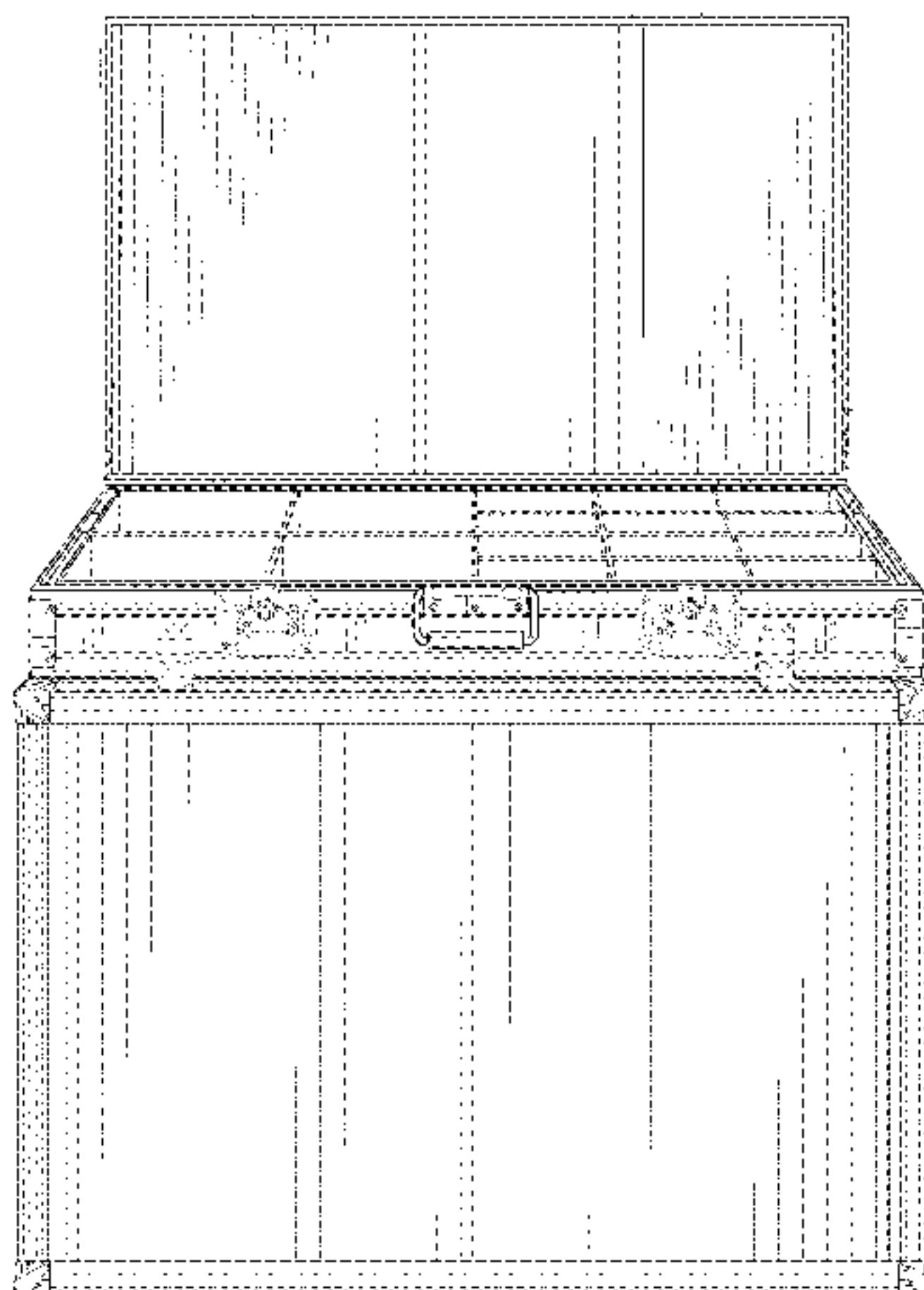
OTHER PUBLICATIONS

Displays2go, "Traveling & Storage Case w/ 2 Wheels & Luggage Handle, EVA Foam Padding—Black", Reviewed on Jun. 1, 2017. (<https://www.displays2go.com/P-24402/Expo-Equipment-Case-with-EVA-Foam-Padding-for-Protection>).*

(Continued)

The broken lines around the exterior and interior perimeter of the large merchandise case's body and the interior legs illustrate surface ornamentation. The remaining broken line hinges, latch, and interior compartments illustrate portions of the large merchandise case. None of the broken lines illustrated in the figures form part of the claimed design.

1 Claim, 11 Drawing Sheets



(58) **Field of Classification Search**

CPC A45C 5/04; A45C 5/14; A45C 2007/0004;
A45C 7/0018; A45C 2009/002

See application file for complete search history.

D726,416 S * 4/2015 Gabrielyan D3/282
D746,588 S * 1/2016 Pourmehr D3/275
D769,972 S * 10/2016 Thomson D19/88

OTHER PUBLICATIONS

(56)

References Cited

U.S. PATENT DOCUMENTS

D419,766 S * 2/2000 Rekuc D3/272
D490,206 S * 5/2004 Perella D99/28
D561,462 S * 2/2008 Perella D3/206
D596,399 S * 7/2009 Decarlo D3/291
D619,809 S * 7/2010 Huang D3/276
D619,810 S * 7/2010 Huang D3/276
D642,373 S * 8/2011 Decarlo D3/204
D671,743 S * 12/2012 Cenzano D3/272
D677,465 S * 3/2013 Cenzano D3/276
D684,768 S * 6/2013 Cenzano D3/272

TVstandsonly, "Traveling & Storage Case w/ 2 Wheels & Luggage Handle, EVA Foam Padding—Black". (<https://www.tvstandsonly.com/P-24402/Wheeled-Storage-Cases-with-42-x-8-5-x-29-Storage-Space>).*

idjnow, "Gator Cases G-Tour Pedalboard-LGW Large G-Tour Pedal Board with Wheels". (<https://www.idjnow.com/gator-cases-g-tour-pedalboard-lgw-large-g-tour-pedal-board-with-wheels.html#5>).*

Hifisoundconnection, "Odyssey FZQU32W Flight Zone Console Case with Wheels for Allen & Health QU-32 Mixer". (<https://www.hifisoundconnection.com/Odyssey-FZQU32W-Flight-Zone-Console-Case-Wheels-for-Allen-Health-QU-32-Mixer-ODY16-FZQU32W>).*

* cited by examiner

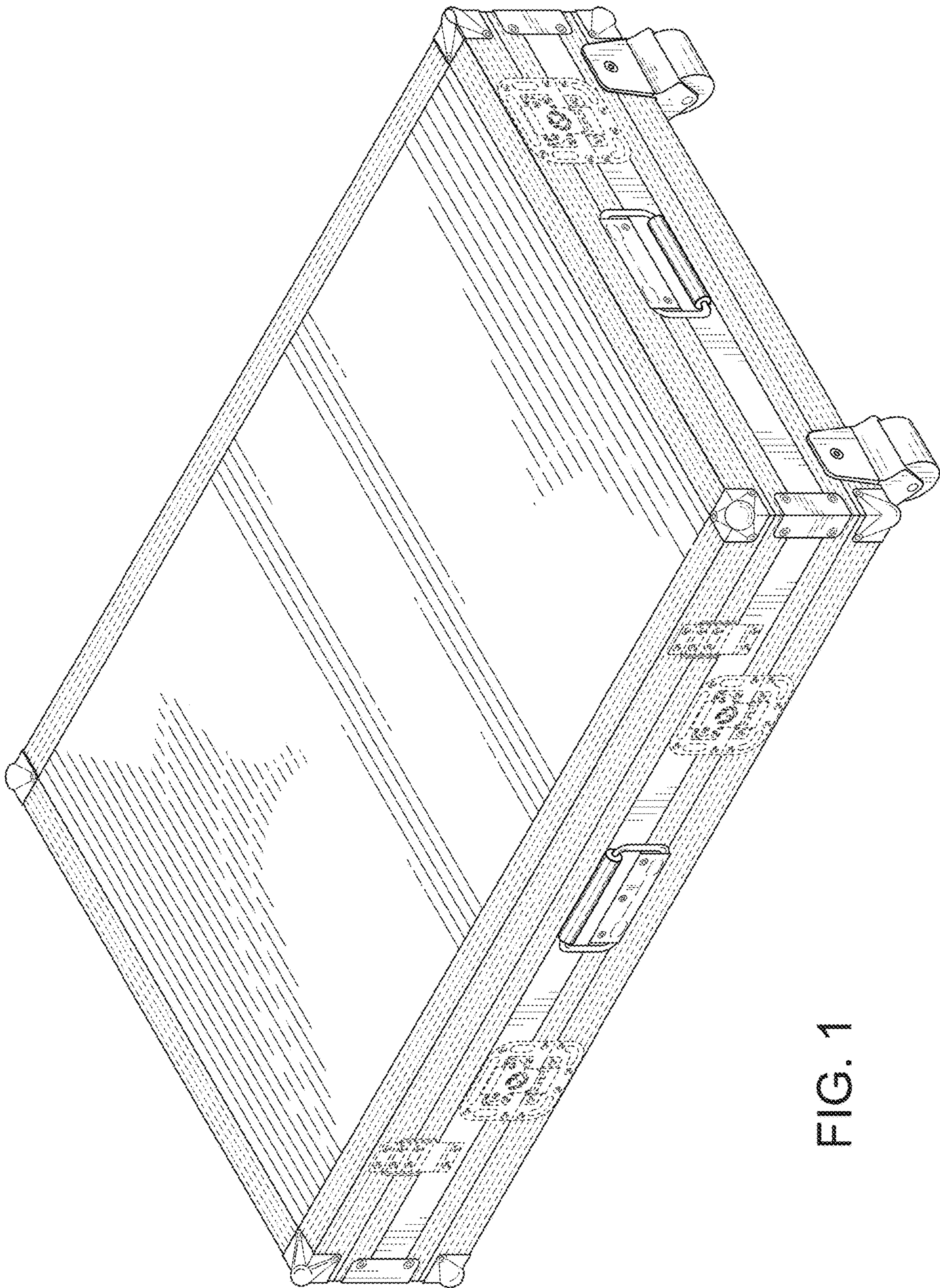


FIG. 1

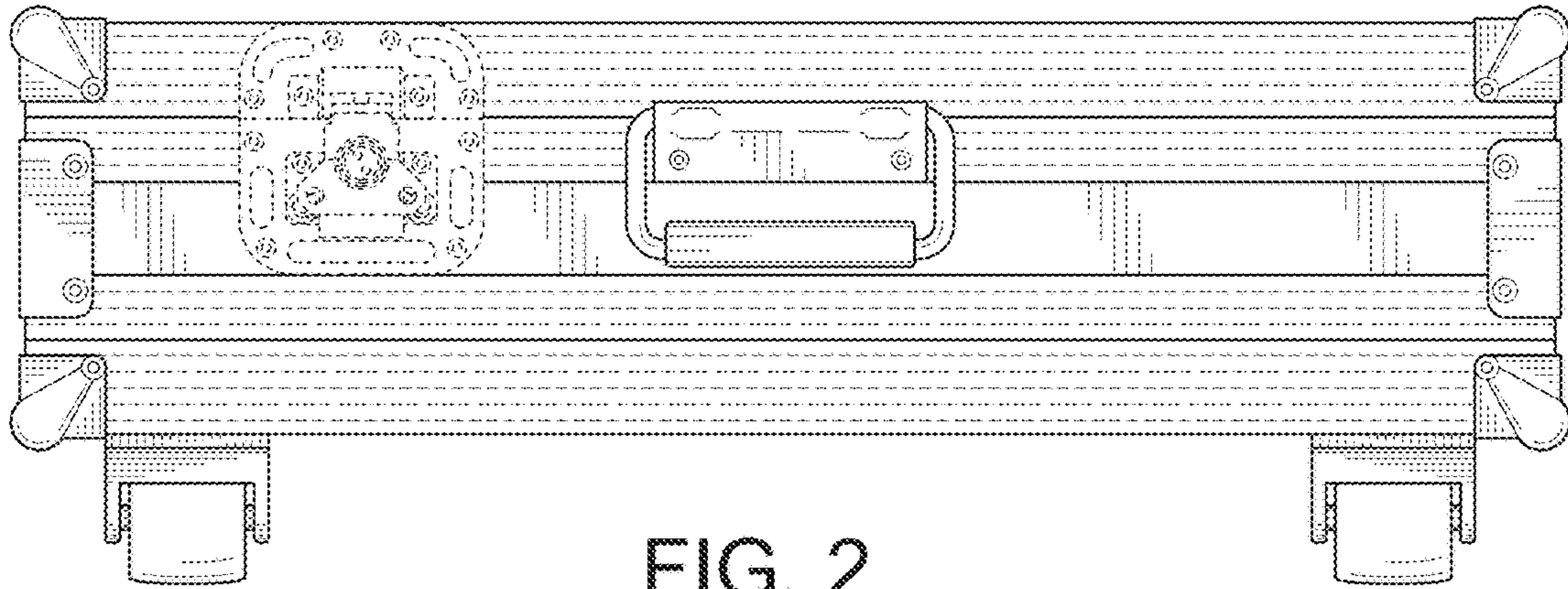


FIG. 2

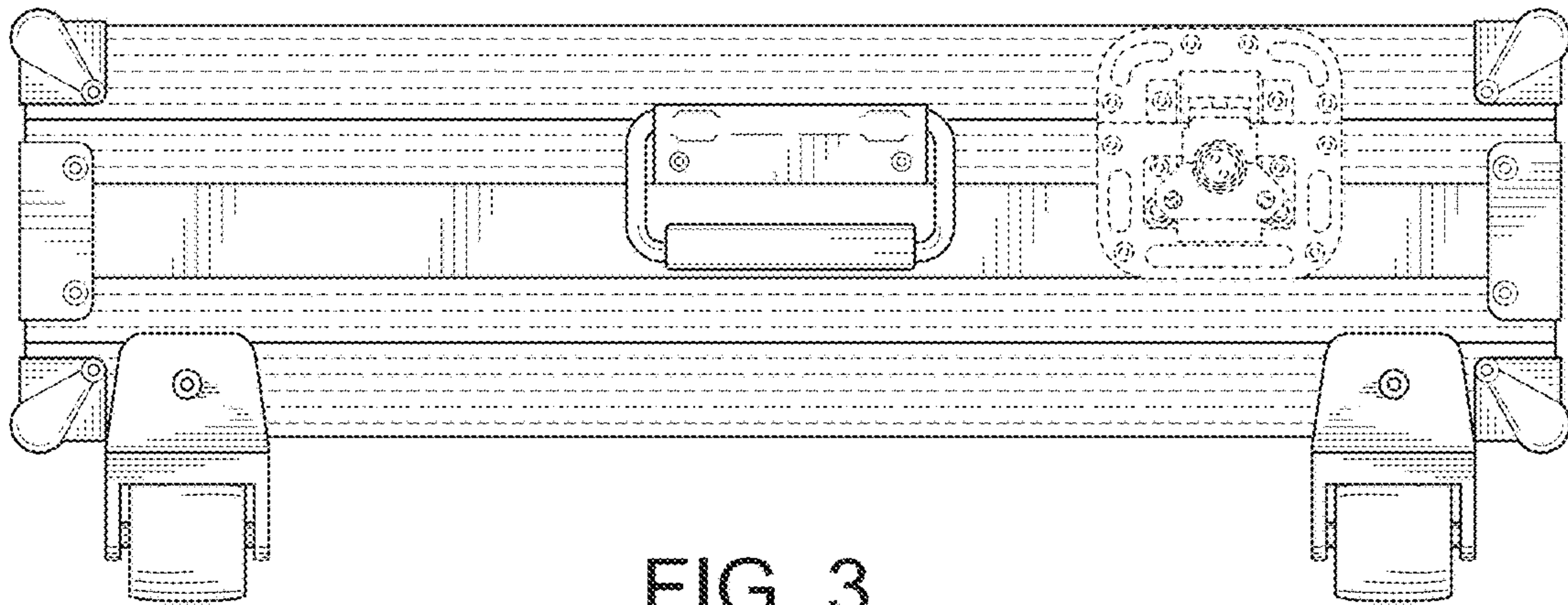


FIG. 3

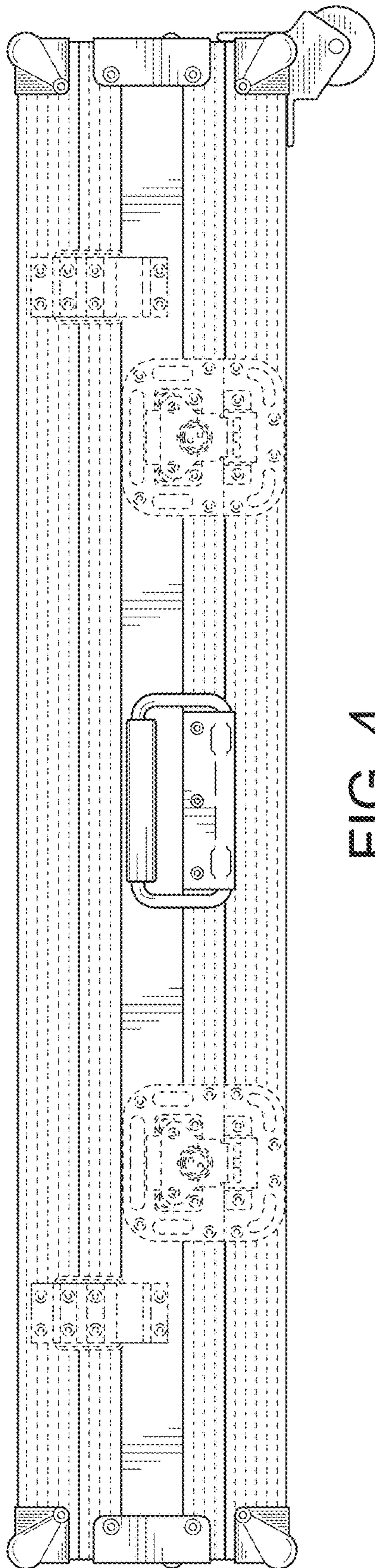


FIG. 4

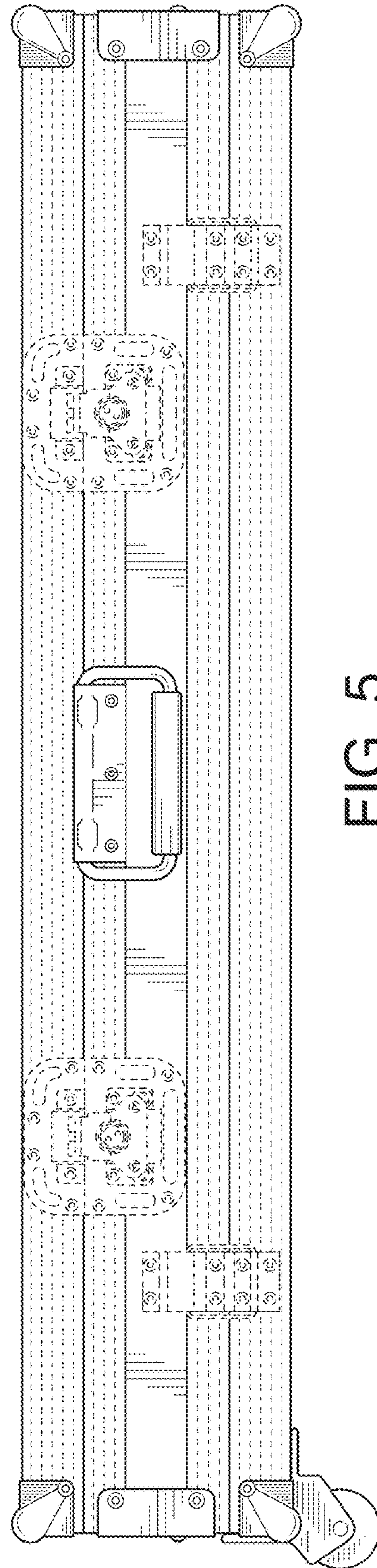


FIG. 5

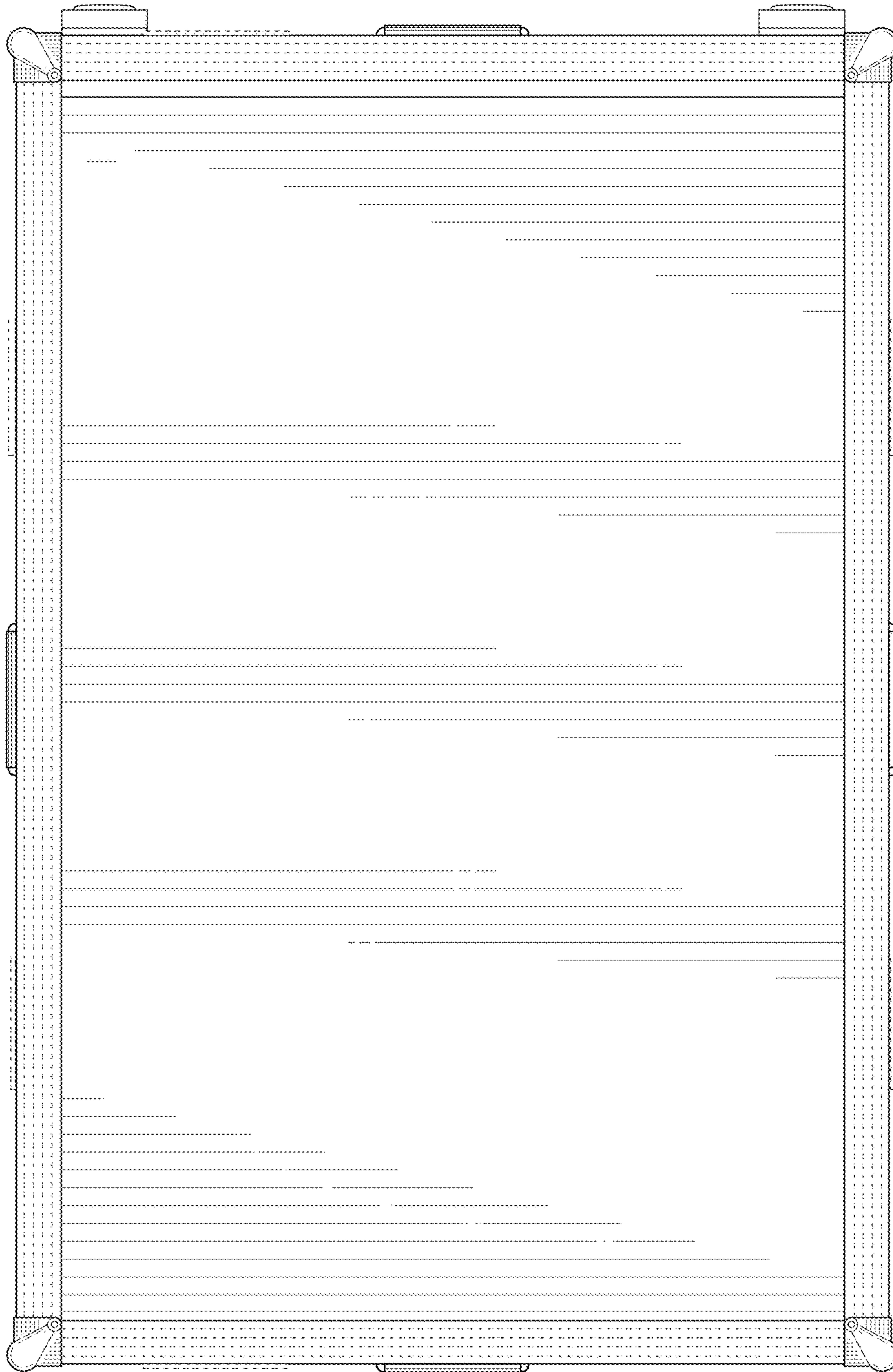


FIG. 6

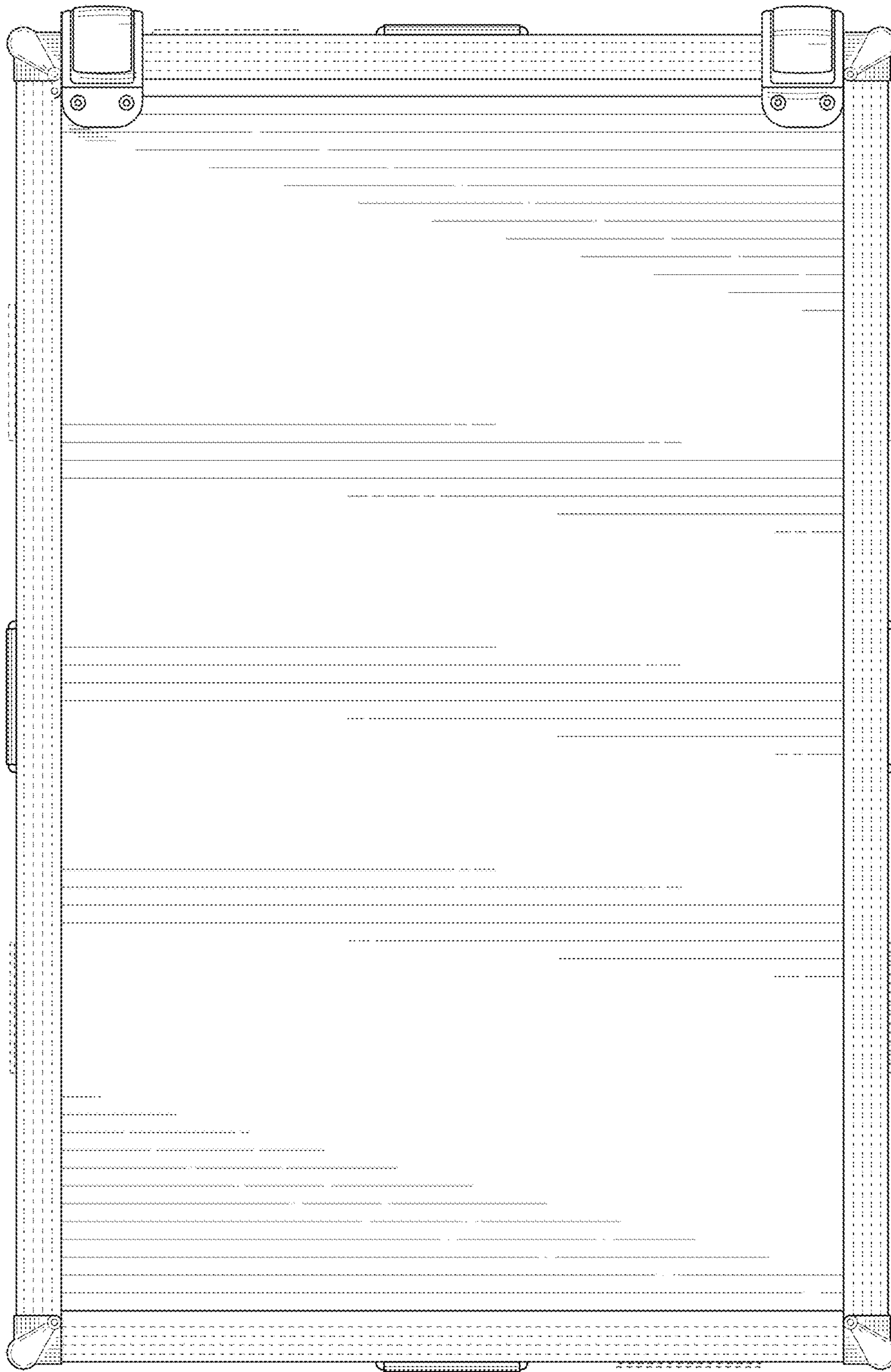


FIG. 7

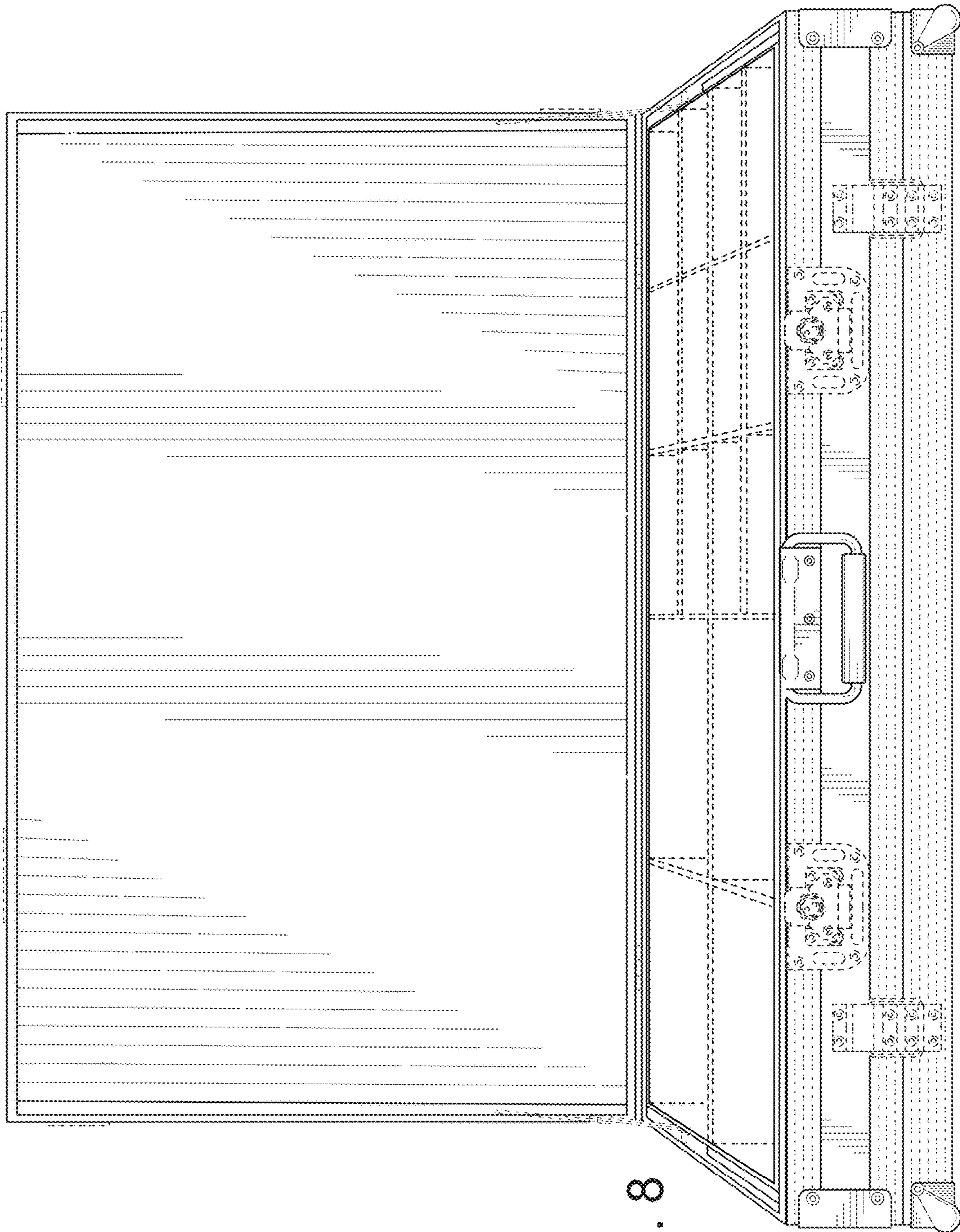


FIG. 8

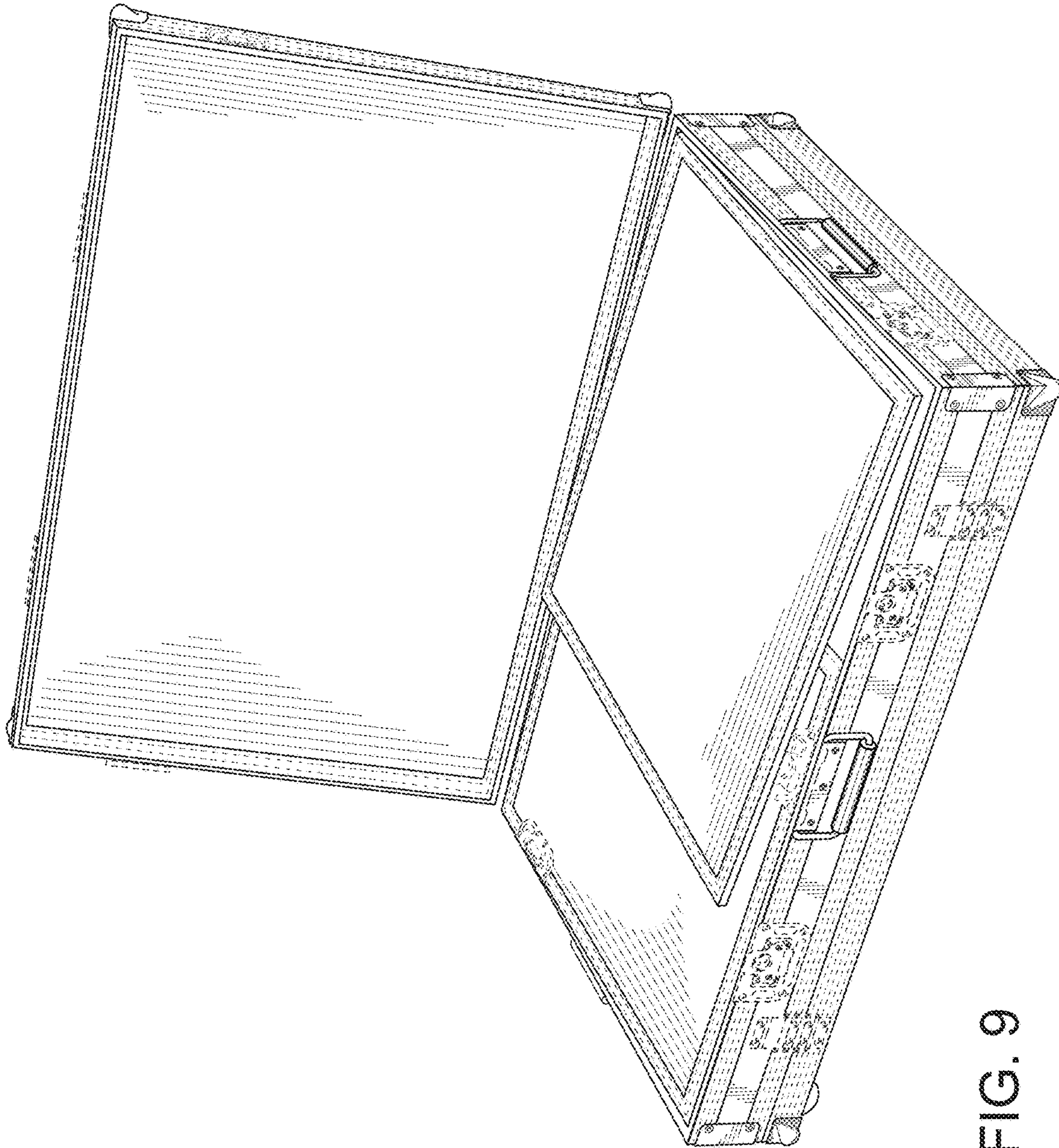


FIG. 9

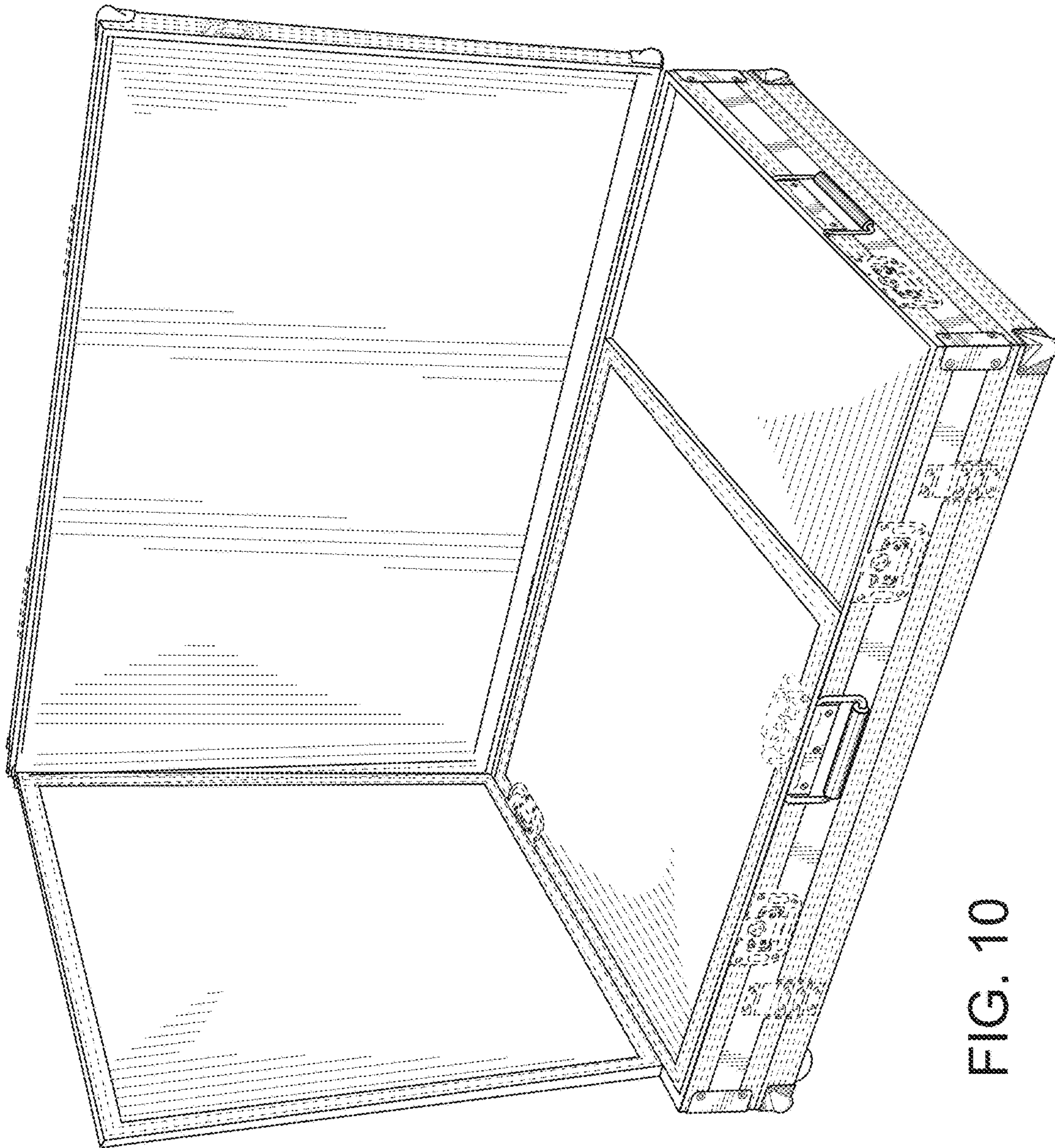


FIG. 10

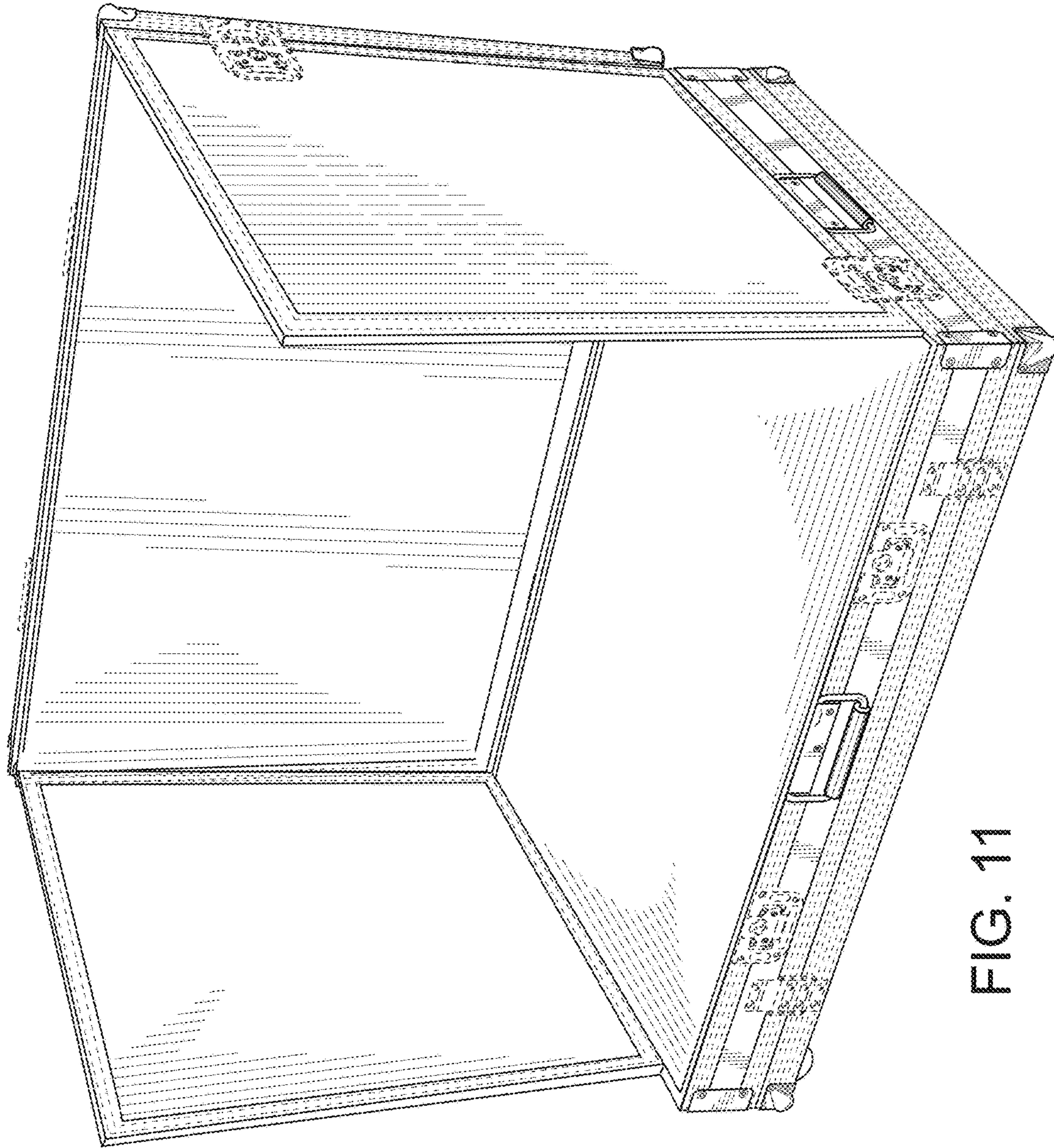


FIG. 11

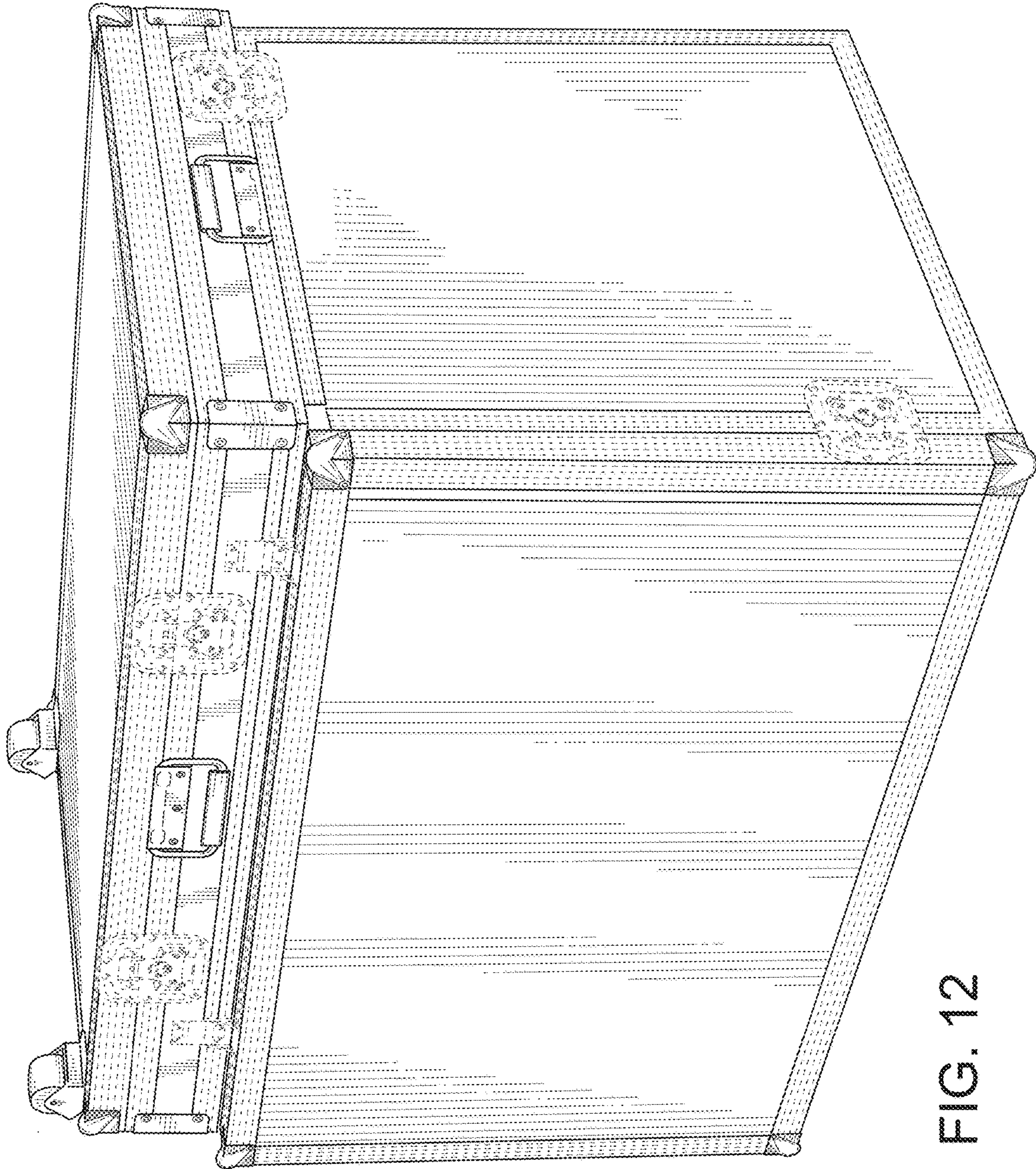


FIG. 12

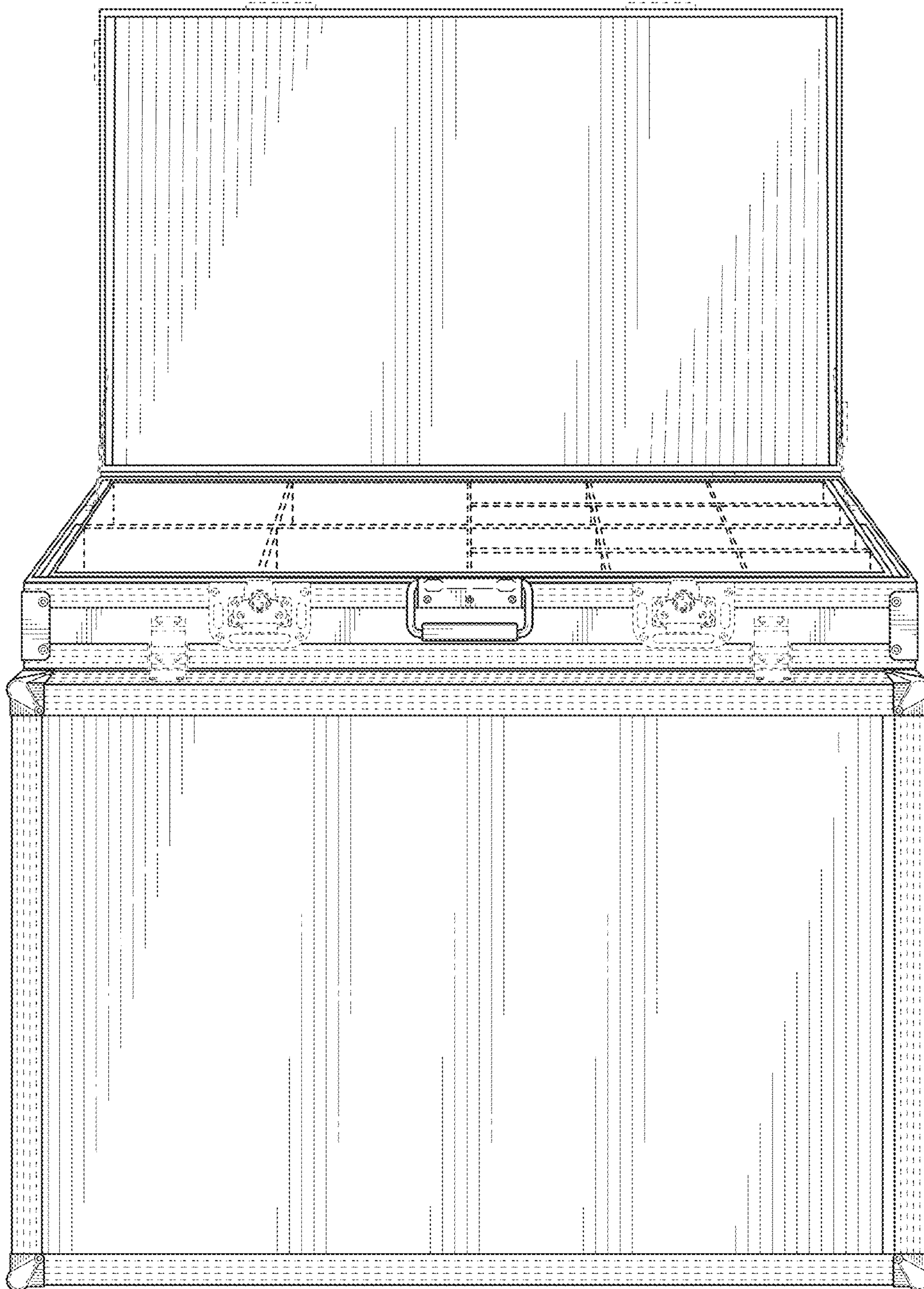


FIG. 13