



US00D845623S

(12) **United States Design Patent** (10) **Patent No.:** **US D845,623 S**
Sullivan et al. (45) **Date of Patent:** **** Apr. 16, 2019**

(54) **MINIMALIST WALLET FOR STORING AND PROTECTING RFID CARDS**

(71) Applicants: **Mark Gerrit Sullivan**, Meridian, ID (US); **Clifton James Hardle**, Orem, UT (US)

(72) Inventors: **Mark Gerrit Sullivan**, Meridian, ID (US); **Clifton James Hardle**, Orem, UT (US)

(**) Term: **15 Years**

(21) Appl. No.: **29/609,349**

(22) Filed: **Jun. 29, 2017**

(51) **LOC (11) Cl.** **03-01**

(52) **U.S. Cl.**
USPC **D3/247**

(58) **Field of Classification Search**
USPC D3/201, 205, 226, 247, 250, 273, 274,
D3/276, 278, 283, 284, 285, 289, 290,
D3/299, 301, 905, 243

(Continued)

(56) **References Cited**

U.S. PATENT DOCUMENTS

4,647,714 A 3/1987 Goto
4,674,628 A 6/1987 Prinsloo et al.
(Continued)

OTHER PUBLICATIONS

Kore, "Slim Wallets—Best Minimalist Wallets for Men", published Nov. 5, 2016. (<https://www.koreessentials.com/blogs/news/slim-wallets-for-men-the-ultimate-guide>) (Year: 2016).*

(Continued)

Primary Examiner — Jennifer Rivard

Assistant Examiner — April Rivas

(74) *Attorney, Agent, or Firm* — Angus C. Fox, III

(57) **CLAIM**

We claim the ornamental design for a minimalist wallet for storing and protecting RFID cards, as shown and described.

DESCRIPTION

FIG. 1 is a front elevational view of the minimalist wallet for storing and protecting RFID cards;
FIG. 2 is a left-side elevational view of the minimalist wallet for storing and protecting RFID cards;
FIG. 3 is a right side elevational view of the minimalist wallet for storing and protecting RFID cards;
FIG. 4 is a rear elevational view of the minimalist wallet for storing and protecting RFID cards;
FIG. 5 is a bottom plan view of the minimalist wallet for storing and protecting RFID cards;
FIG. 6 is a top plan view of the minimalist wallet for storing and protecting RFID cards;
FIG. 7 is a first isometric view of the minimalist wallet for storing and protecting RFID cards from a vantage that shows primarily the front, left side and bottom of the device;
FIG. 8 is a second isometric view of the minimalist wallet for storing and protecting RFID cards from a vantage that shows primarily the front, left side and bottom of the device;
FIG. 9 is a third isometric view of the minimalist wallet for storing and protecting RFID cards from a vantage that shows primarily the front, left side and bottom of the device;
FIG. 10 is fourth isometric view of the minimalist wallet for storing and protecting RFID cards from a vantage that shows primarily the front and left side of the device;
FIG. 11 is a fifth isometric view of the minimalist wallet for storing and protecting RFID cards from a vantage that shows primarily the front, right side and top of the device;
FIG. 12 is a sixth isometric view of the minimalist wallet for storing and protecting RFID cards from a vantage that shows primarily the rear, right side and bottom of the device;
FIG. 13 is a seventh isometric view of the minimalist wallet for storing and protecting RFID cards from a vantage that shows primarily the front and right side of the device;
FIG. 14 is an eighth isometric view of the minimalist wallet for storing and protecting RFID cards from a vantage that shows primarily the right side of the device;

(Continued)

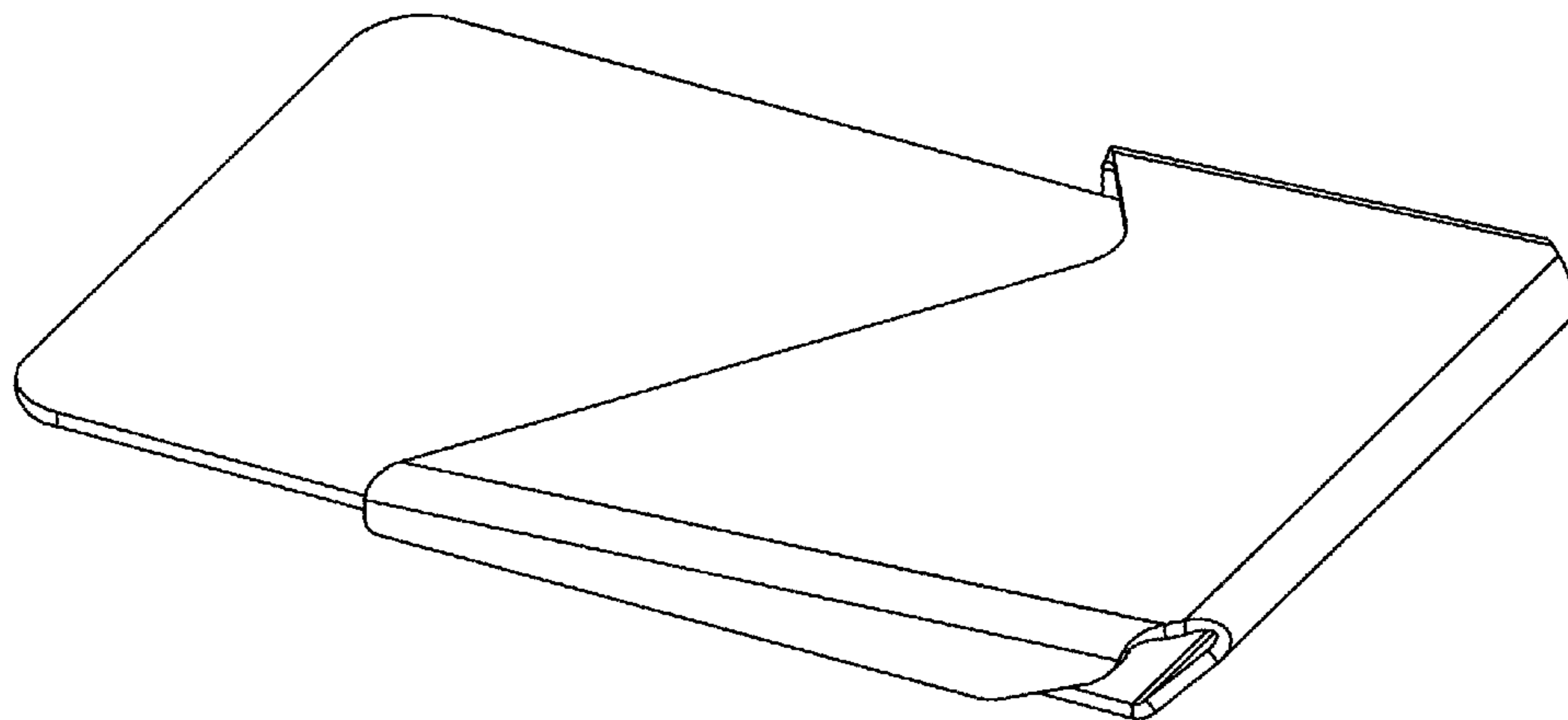


FIG. 15 is a ninth isometric view of the minimalist wallet for storing and protecting RFID cards from a vantage that shows primarily the front, top and right side of the device; and, FIG. 16 is a tenth isometric view of the minimalist wallet for storing and protecting RFID cards from a vantage that shows primarily the rear, bottom and left side of the device.

1 Claim, 5 Drawing Sheets

(58) **Field of Classification Search**

CPC A45C 3/00; A45C 3/004; A45C 2003/008;
 A45C 5/06; A45C 3/04; A45C 13/00
 See application file for complete search history.

(56) **References Cited**

U.S. PATENT DOCUMENTS

4,697,698	A	10/1987	Holdener
5,080,223	A	1/1992	Mitsuyama
5,125,505	A	6/1992	Kurosaki
5,288,942	A	2/1994	Godfrey
5,360,941	A	11/1994	Roes
6,121,544	A	9/2000	Petsinger

7,163,152	B2	1/2007	Osborn et al.	
D561,469	S *	2/2008	Jensen	D3/247
D574,614	S *	8/2008	Sanders	D3/247
D590,151	S *	4/2009	Karobkina	D3/247
D613,744	S	4/2010	Sheba	
7,830,672	B1	11/2010	Kitchen	
D628,796	S *	12/2010	Uzelac	D3/247
8,079,132	B2	12/2011	Clayman	
8,567,459	B2	10/2013	Kitchen	
8,720,682	B2	5/2014	Navon et al.	
D706,536	S *	6/2014	Nikosey	D3/247
D724,841	S *	3/2015	Schneider	D3/247
D728,230	S *	5/2015	Oas	D3/247
D760,496	S *	7/2016	Schioll	D3/247
D768,383	S *	10/2016	Wu	D3/247
D772,882	S *	11/2016	Paschke	D14/440
D776,426	S *	1/2017	Smith	D3/247
D835,410	S *	12/2018	Chan	D3/247
2012/0168483	A1 *	7/2012	Jambunathan	A45C 11/00 224/576

OTHER PUBLICATIONS

Amazon (uedata), "Metal Credit Card Holder . . .", First on sale Apr. 23, 2016. (<https://uedata.amazon.com/Credit-Card-Holder-Stainless-Lightweight/dp/B01EOP3Y7C>) (Year: 2016).*

* cited by examiner

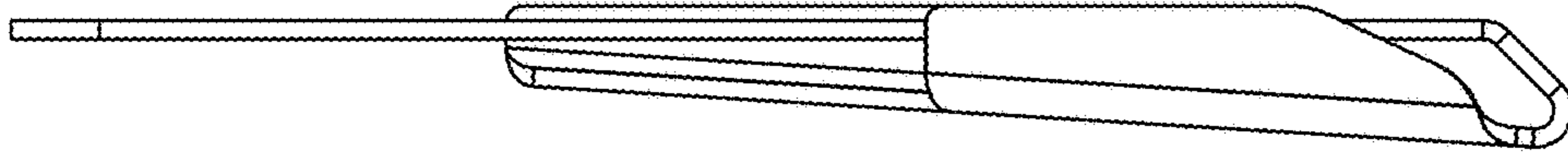


FIG. 3

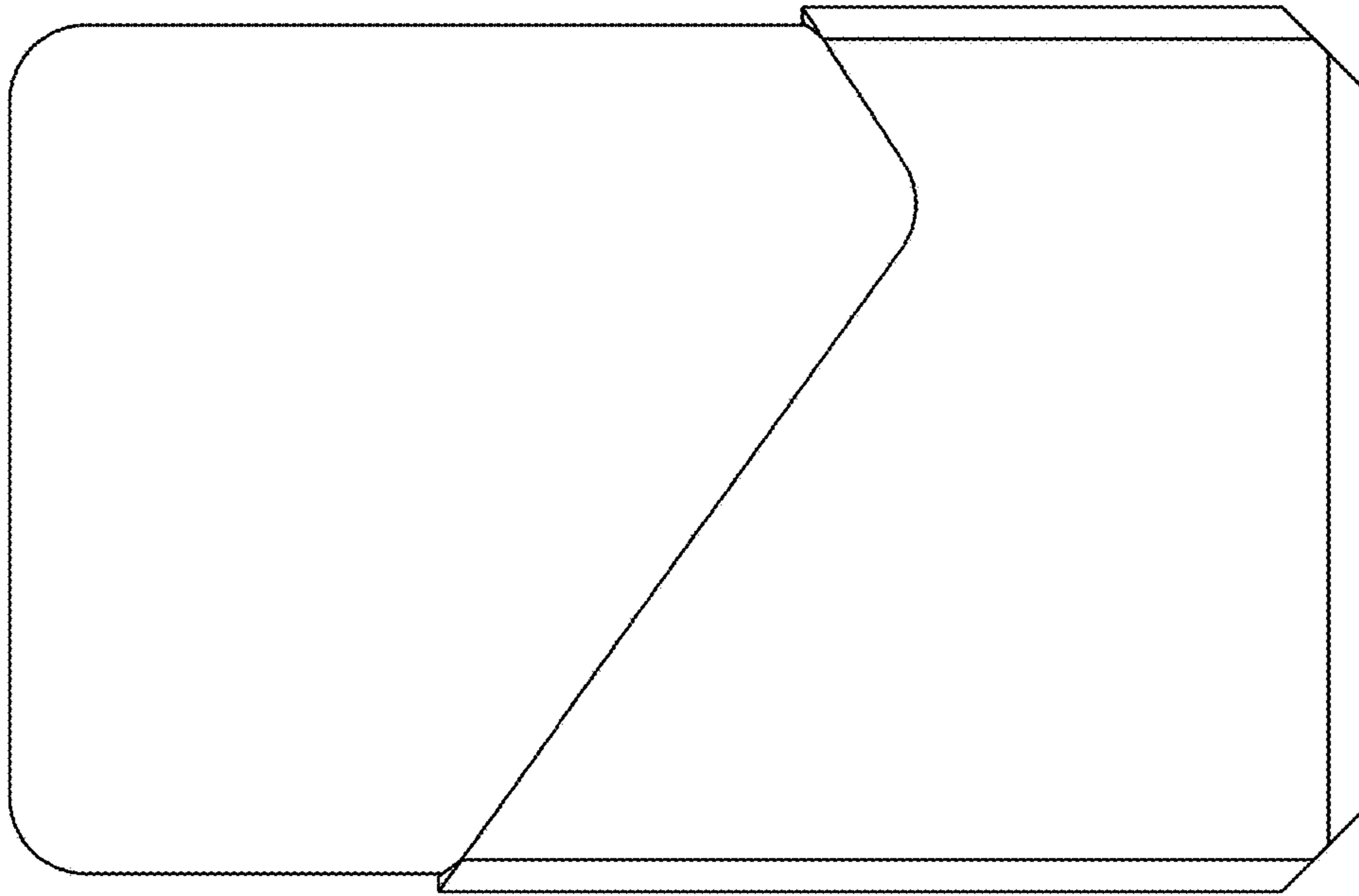


FIG. 1

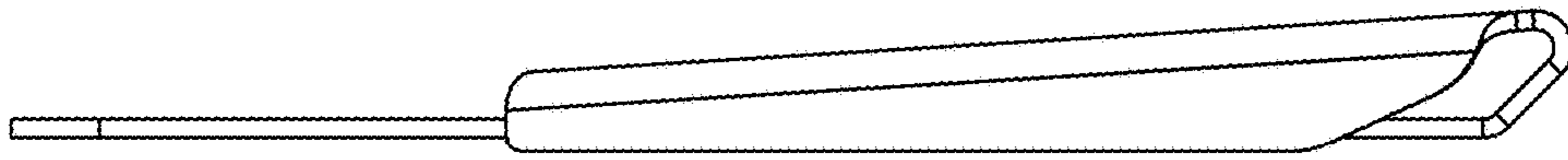


FIG. 2

FIG. 5

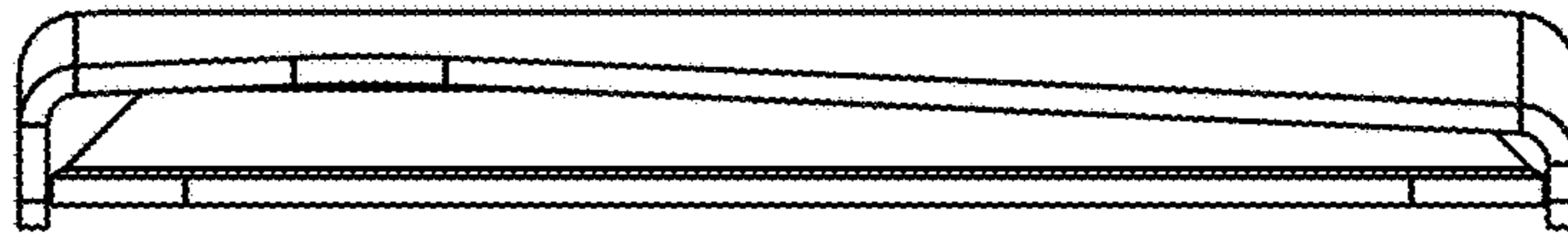


FIG. 4

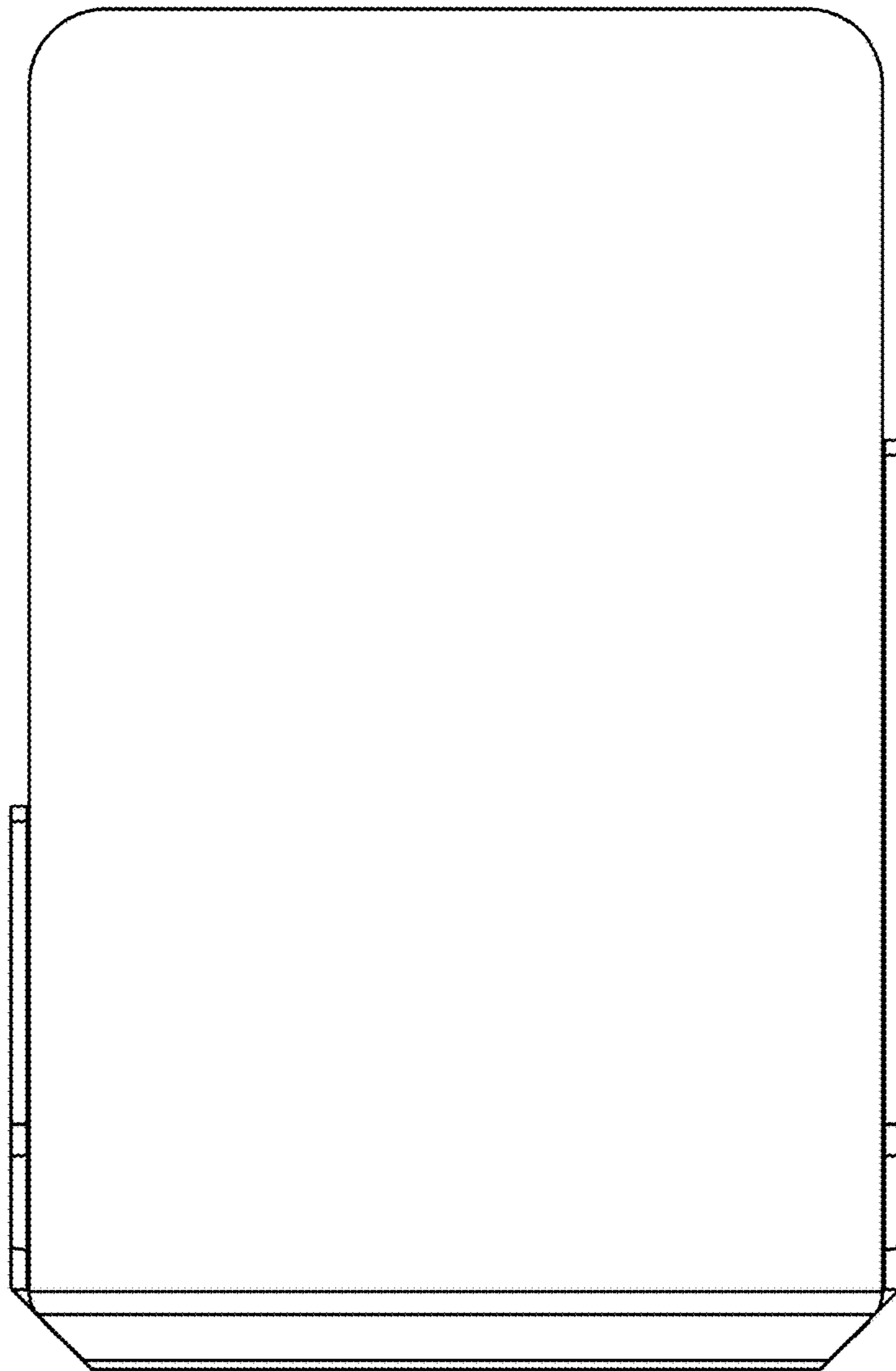
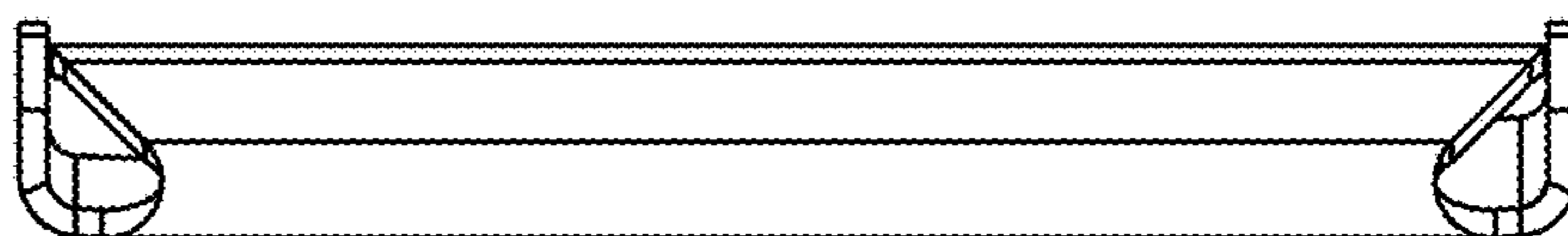


FIG. 6



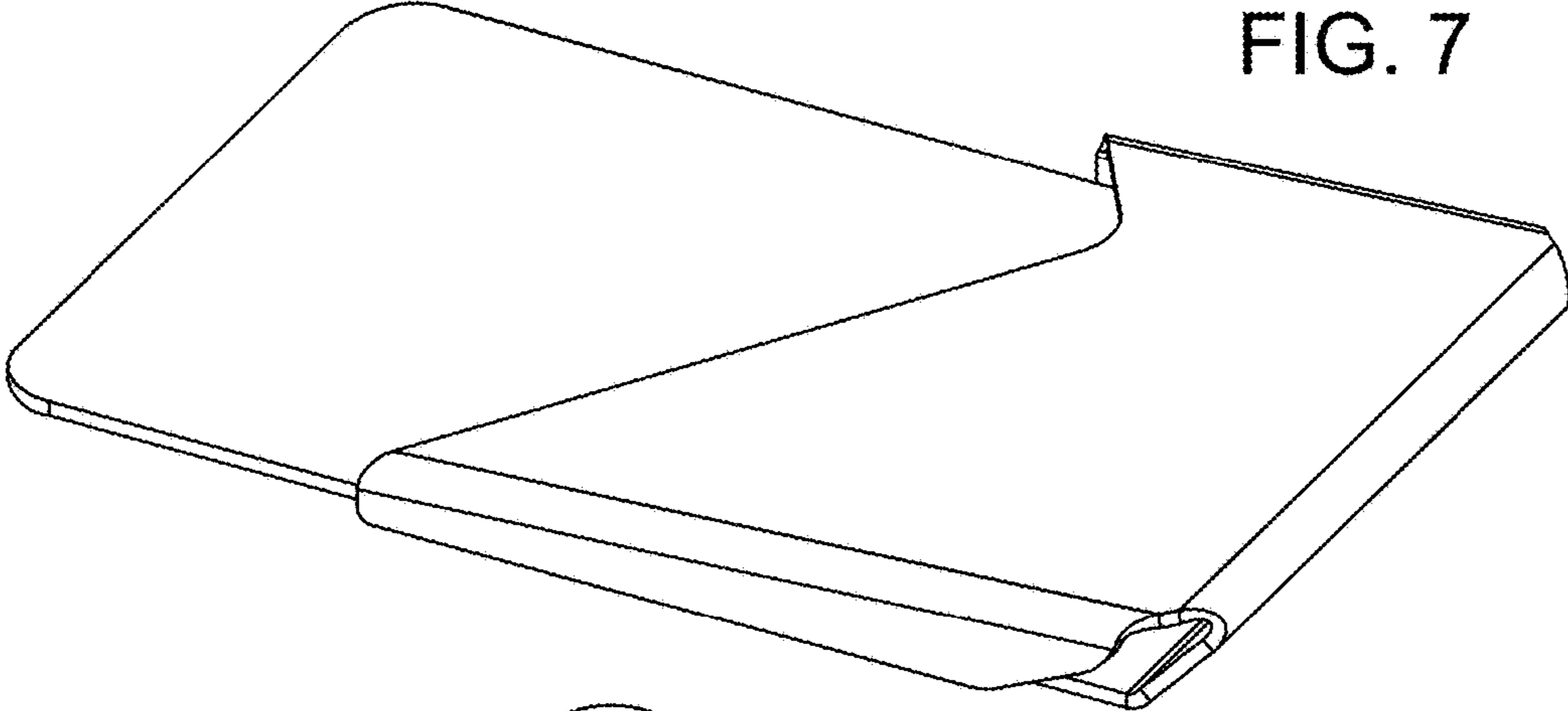


FIG. 7

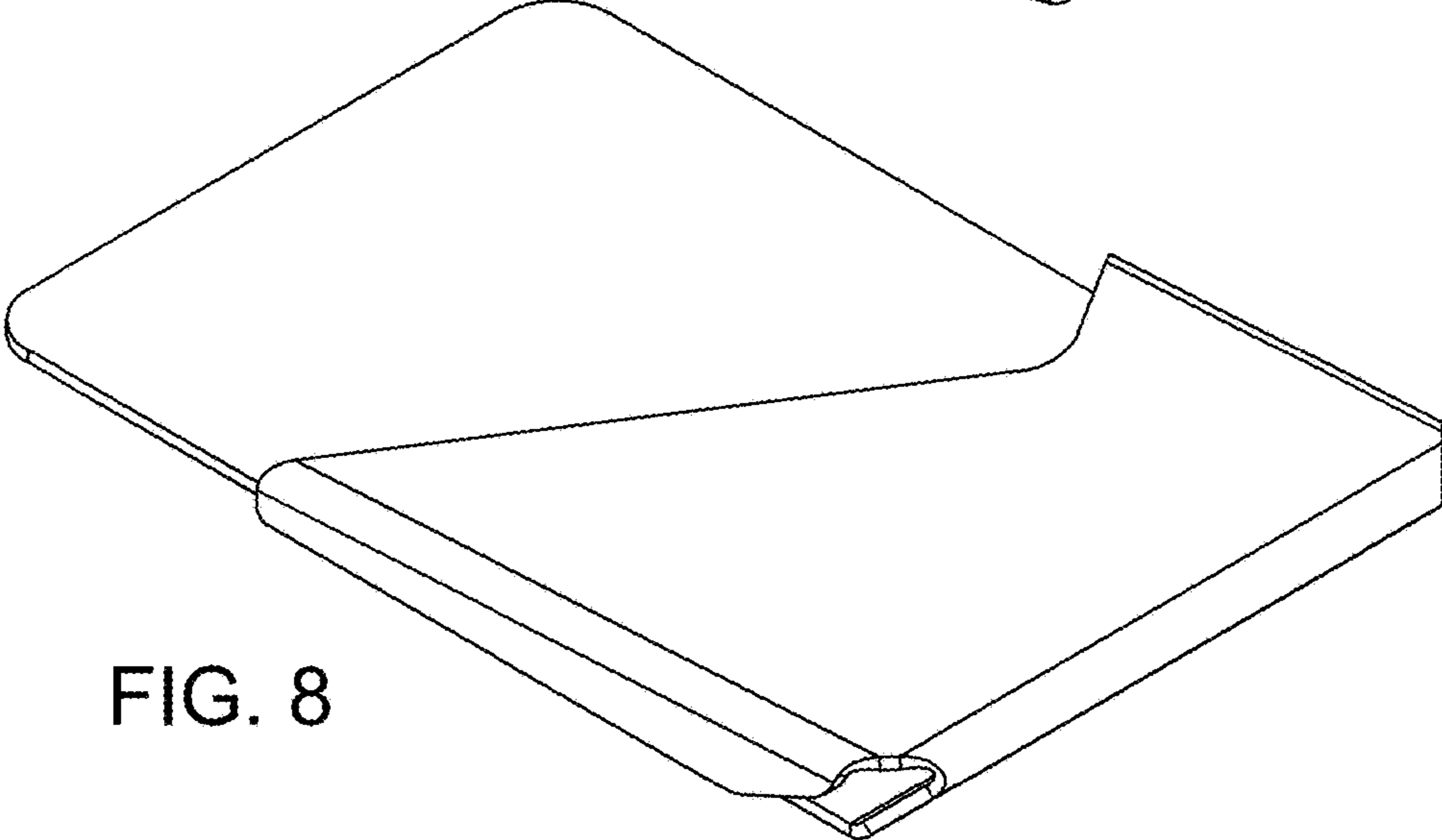


FIG. 8

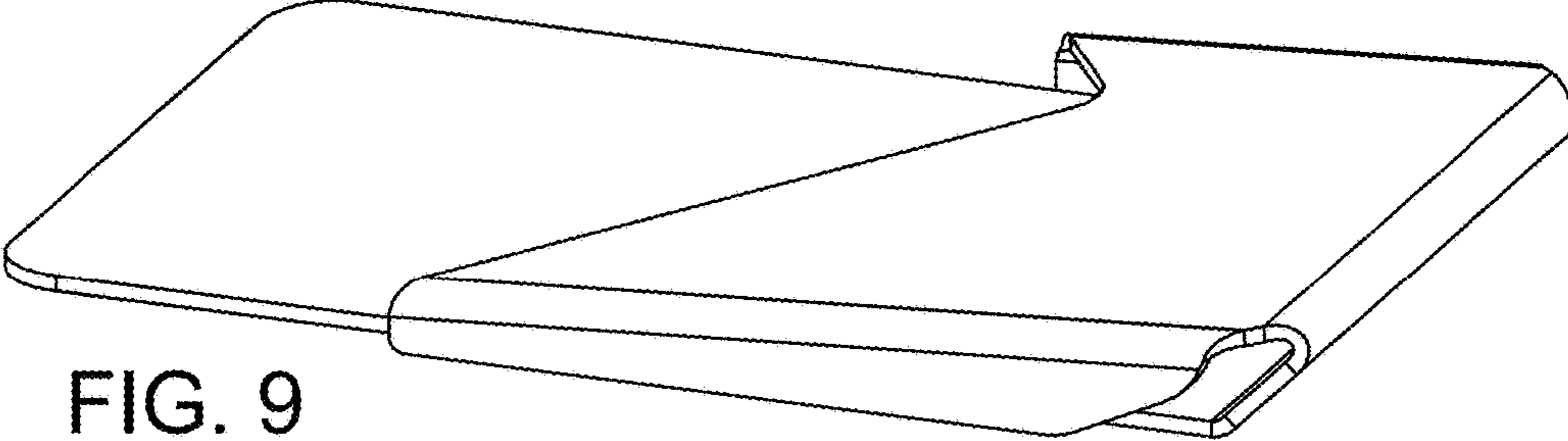


FIG. 9

FIG. 10

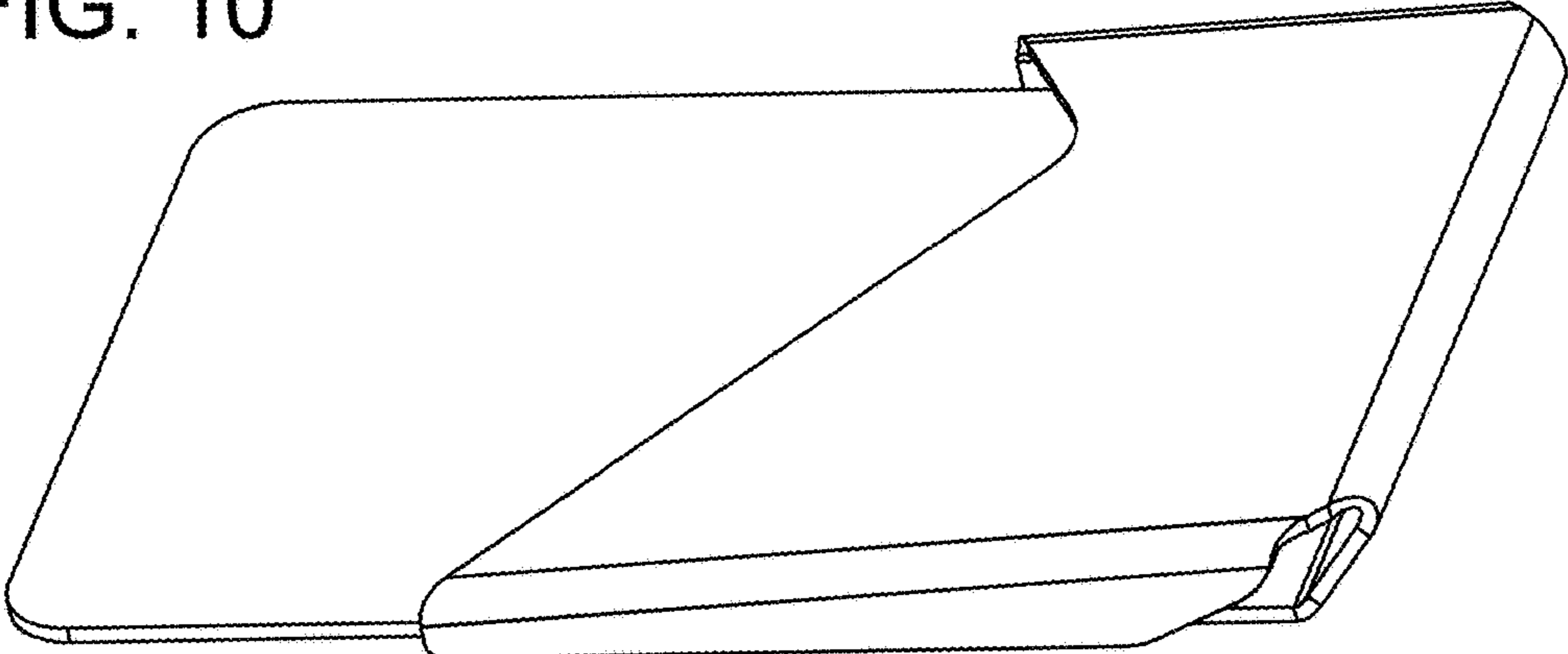


FIG. 11

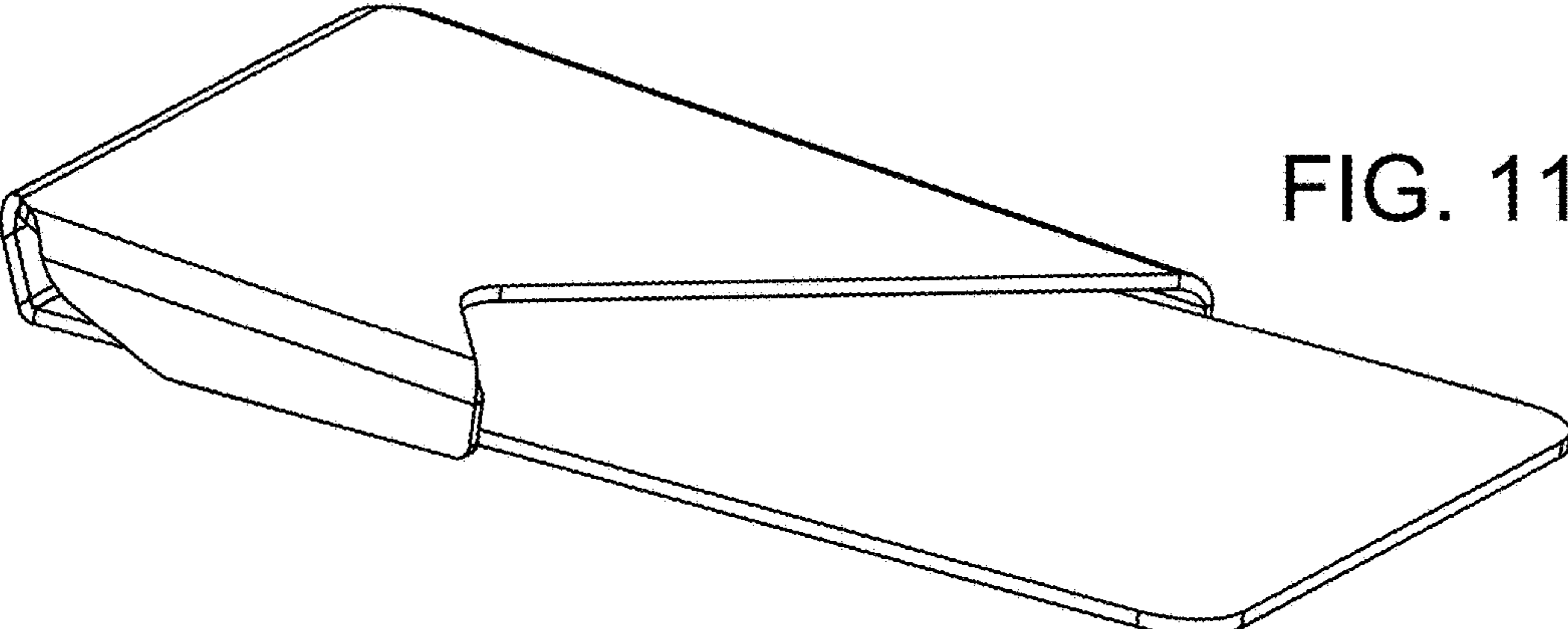


FIG. 12

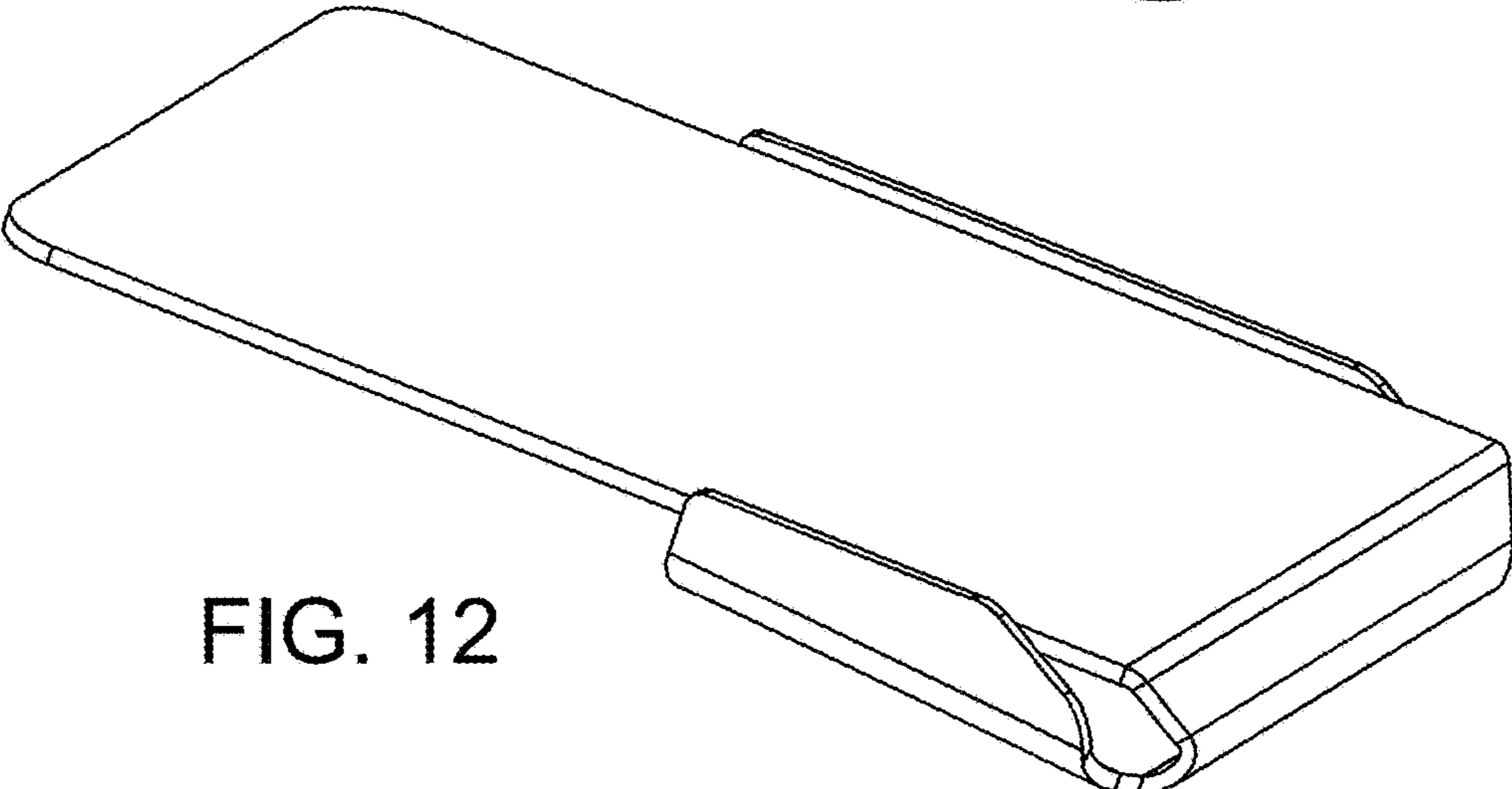


FIG. 13

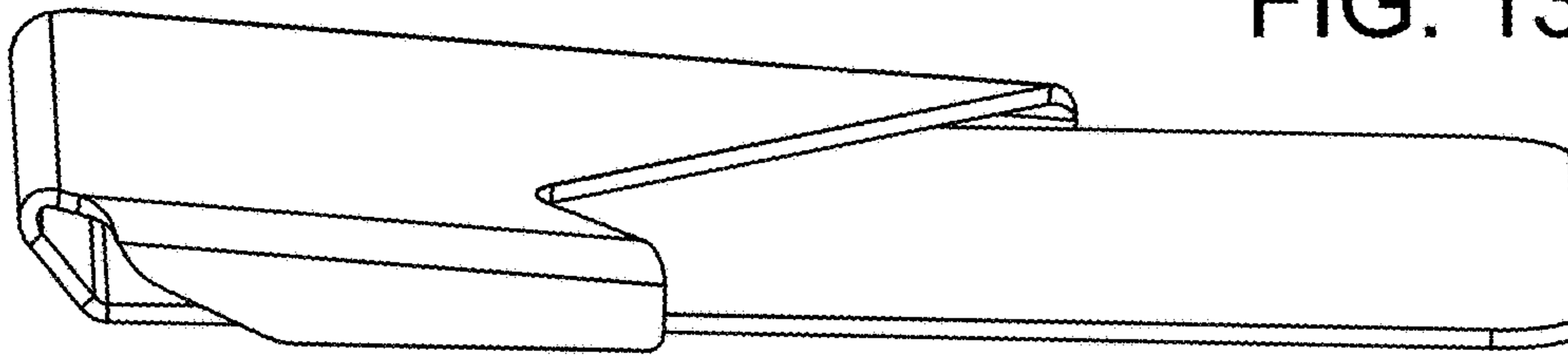


FIG. 14

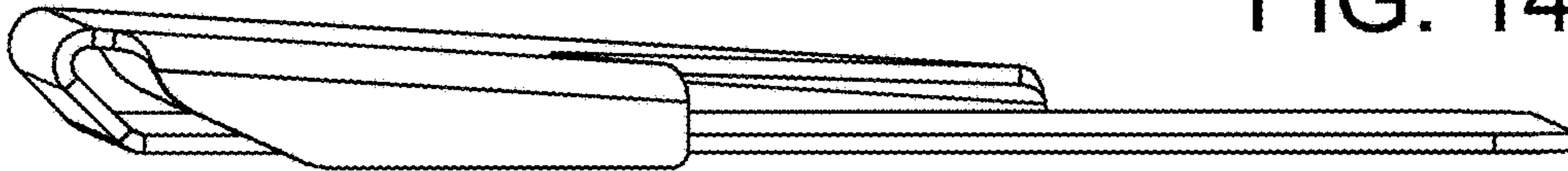


FIG. 15

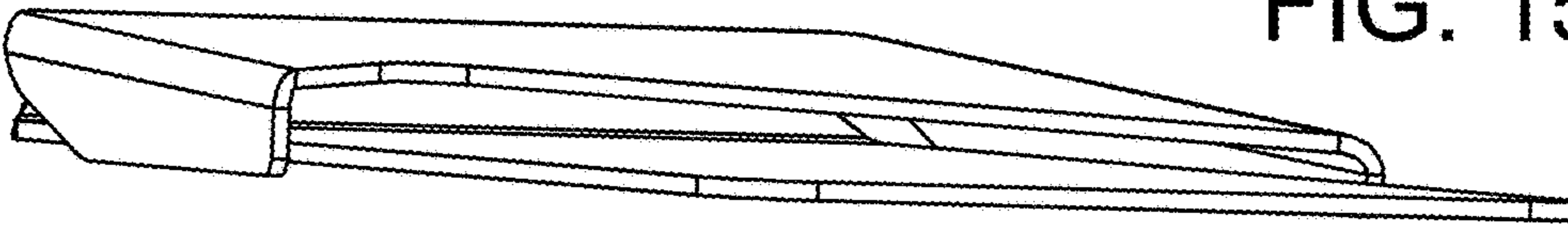


FIG. 16

