



US00D845621S

(12) **United States Design Patent** (10) **Patent No.:** **US D845,621 S**
Kessler (45) **Date of Patent:** **** Apr. 16, 2019**

(54) **HANDBAG**

DESCRIPTION

(71) Applicant: **STACY KESSLER ACCESSORIES**,
Ridgewood, NJ (US)
(72) Inventor: **Stacy Kessler**, Ridgewood, NJ (US)
(73) Assignee: **STACY KESSLER ACCESSORIES**,
Ridgewood, NJ (US)
(**) Term: **15 Years**
(21) Appl. No.: **29/634,256**
(22) Filed: **Jan. 19, 2018**
(51) **LOC (11) Cl.** **03-01**
(52) **U.S. Cl.**
USPC **D3/232; D3/245**
(58) **Field of Classification Search**
USPC D3/232–233, 240–243, 245–246
CPC A45C 1/024; A45C 3/06
See application file for complete search history.

FIG. 1 illustrates a perspective open view of the handbag, showing a first embodiment of my new and ornamental design;
FIG. 2 illustrates a front open view thereof;
FIG. 3 illustrates a back open view thereof;
FIG. 4 illustrates a left side open view thereof;
FIG. 5 illustrates a right side open view thereof;
FIG. 6 illustrates a top open view thereof;
FIG. 7 illustrates a bottom open view thereof;
FIG. 8 illustrates a perspective open view of the handbag, showing a second embodiment of my new and ornamental design;
FIG. 9 illustrates a front open view thereof;
FIG. 10 illustrates a back open view thereof;
FIG. 11 illustrates a left side open view thereof;
FIG. 12 illustrates a right side open view thereof;
FIG. 13 illustrates a top open view thereof;
FIG. 14 illustrates a bottom open view thereof;
FIG. 15 illustrates a perspective closed view of the handbag, showing a first embodiment of my new and ornamental design;
FIG. 16 illustrates a front closed view thereof;
FIG. 17 illustrates a back closed view thereof;
FIG. 18 illustrates a left side closed view thereof;
FIG. 19 illustrates a right side closed view thereof;
FIG. 20 illustrates a top open closed thereof;
FIG. 21 illustrates a bottom closed view thereof;
FIG. 22 illustrates a perspective closed view of the handbag, showing a second embodiment of my new and ornamental design;
FIG. 23 illustrates a front closed view thereof;
FIG. 24 illustrates a back closed view thereof;
FIG. 25 illustrates a left side closed view thereof;
FIG. 26 illustrates a right side closed view thereof;
FIG. 27 illustrates a top open closed thereof; and,
FIG. 28 illustrates a bottom closed view thereof.
The portions of the handbag shown in the figures, in broken lines, attached hereto, form no part of the claimed design.

(56) **References Cited**

U.S. PATENT DOCUMENTS

D621,610 S *	8/2010	Parsley	D3/232
D693,117 S *	11/2013	Maier	D3/232
D742,635 S *	11/2015	Coleman	D3/232
D811,732 S *	3/2018	Barclay	D3/232
D811,733 S *	3/2018	Barclay	D3/232
D816,988 S *	5/2018	McLauchlin	D3/232

* cited by examiner

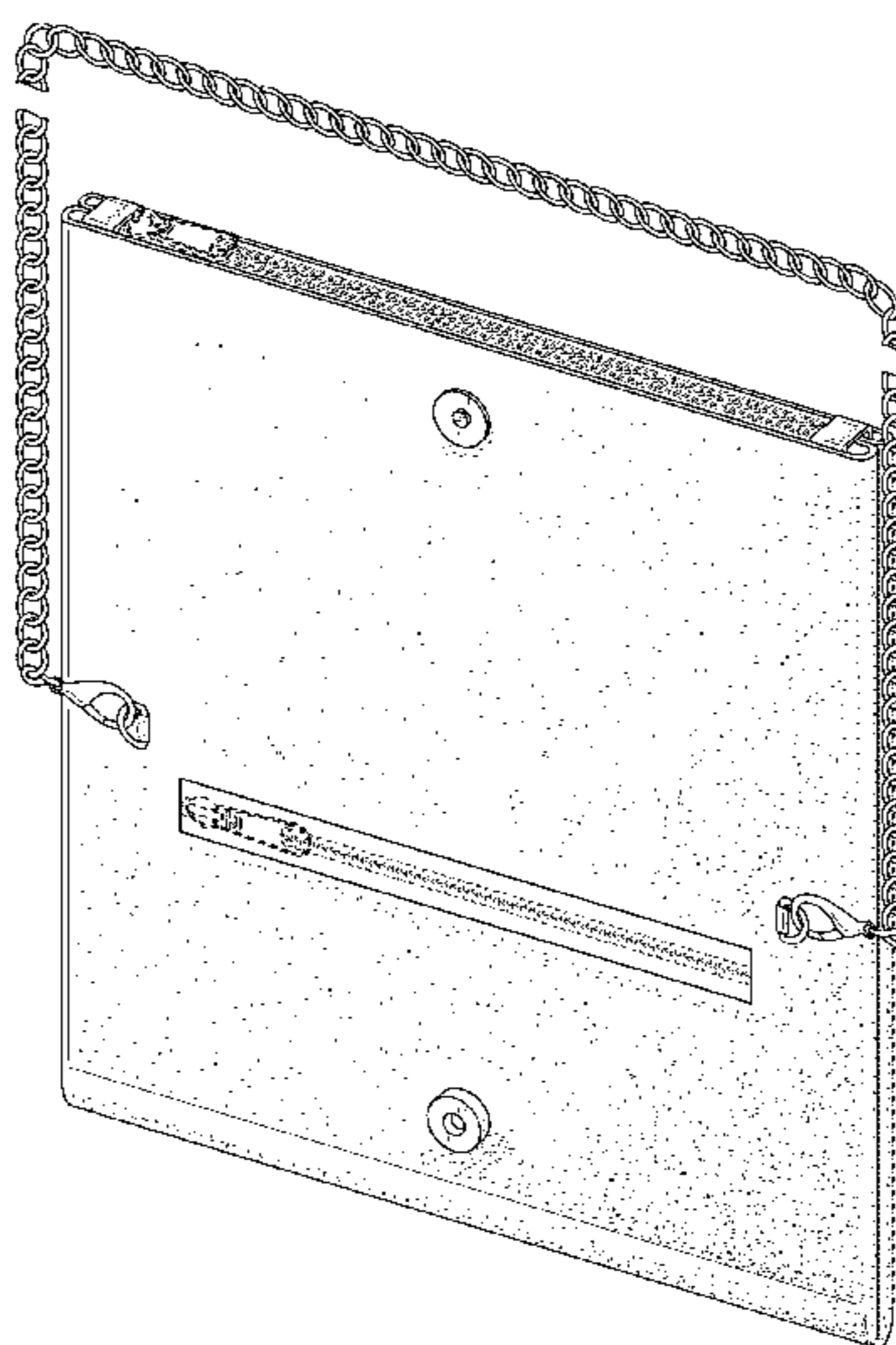
Primary Examiner — Holly H Baynham

(74) *Attorney, Agent, or Firm* — Scully Scott Murphy and Presser

(57) **CLAIM**

The ornamental design for a handbag, as shown and described.

1 Claim, 20 Drawing Sheets



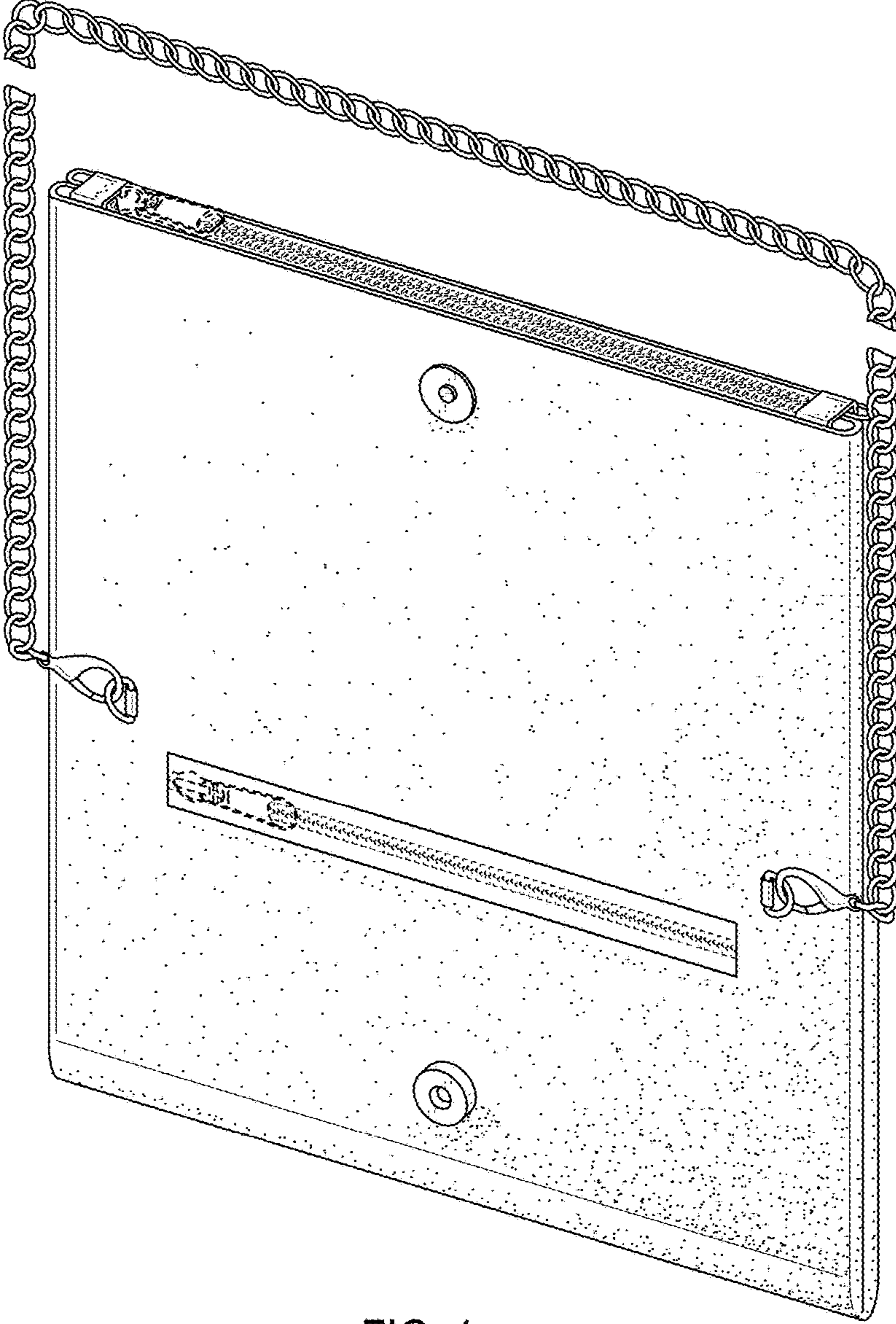


FIG. 1

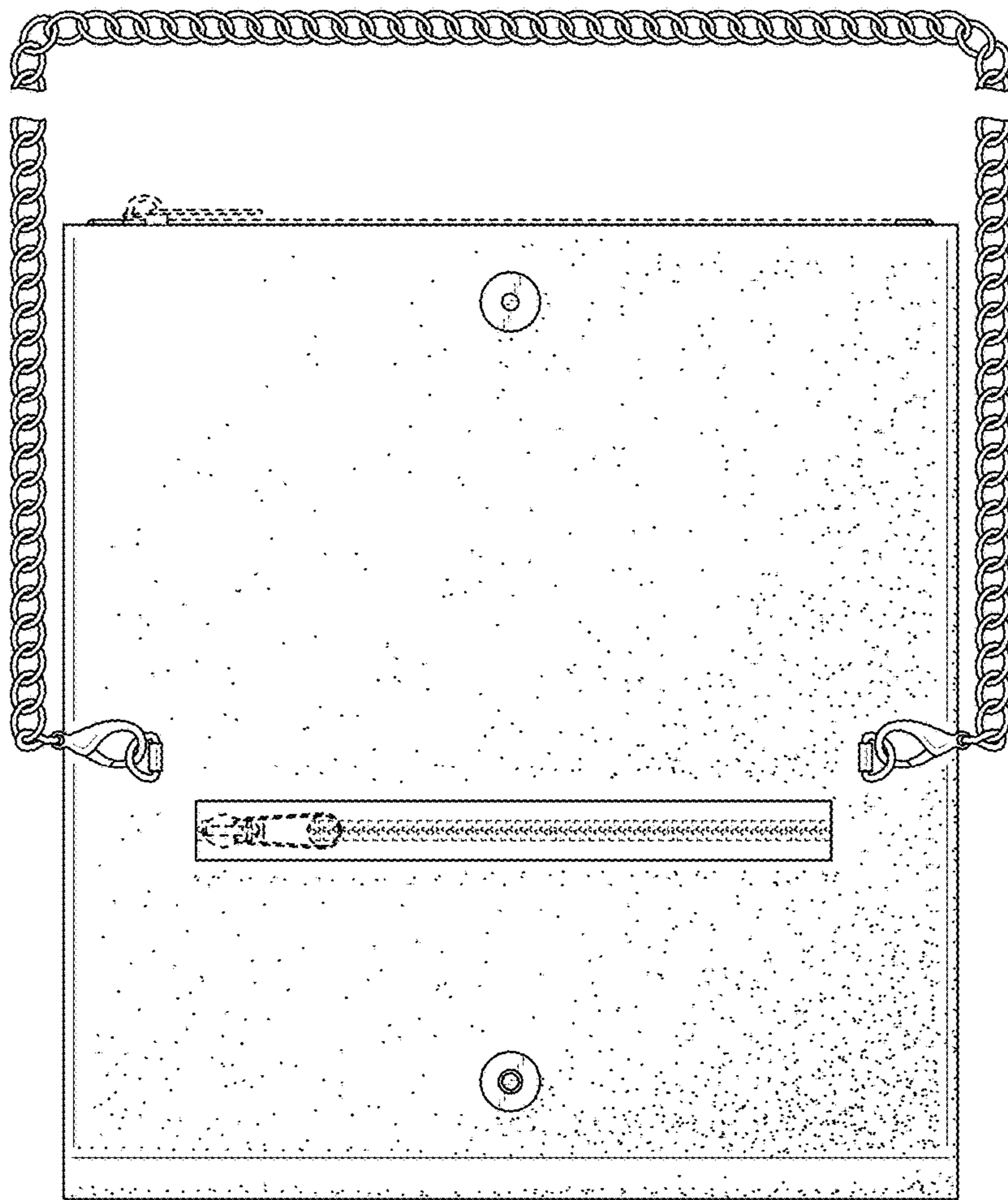


FIG. 2

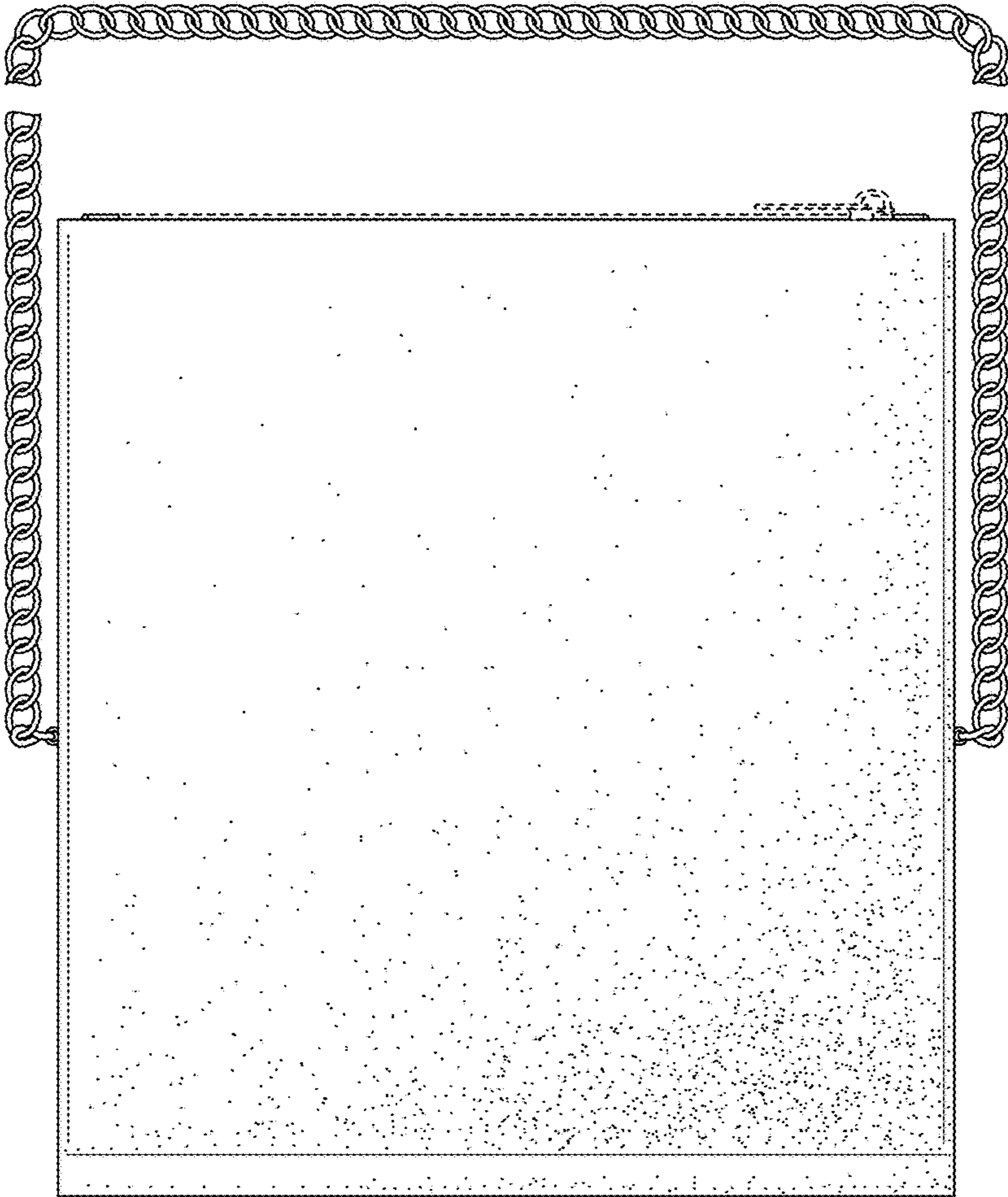


FIG. 3

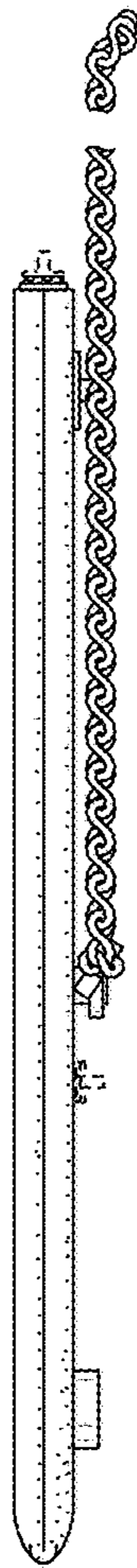


FIG. 4

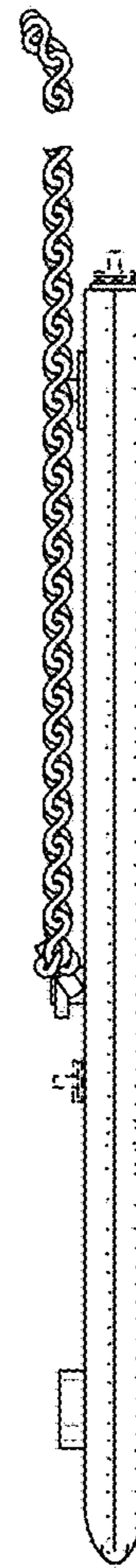


FIG. 5



FIG. 6



FIG. 7

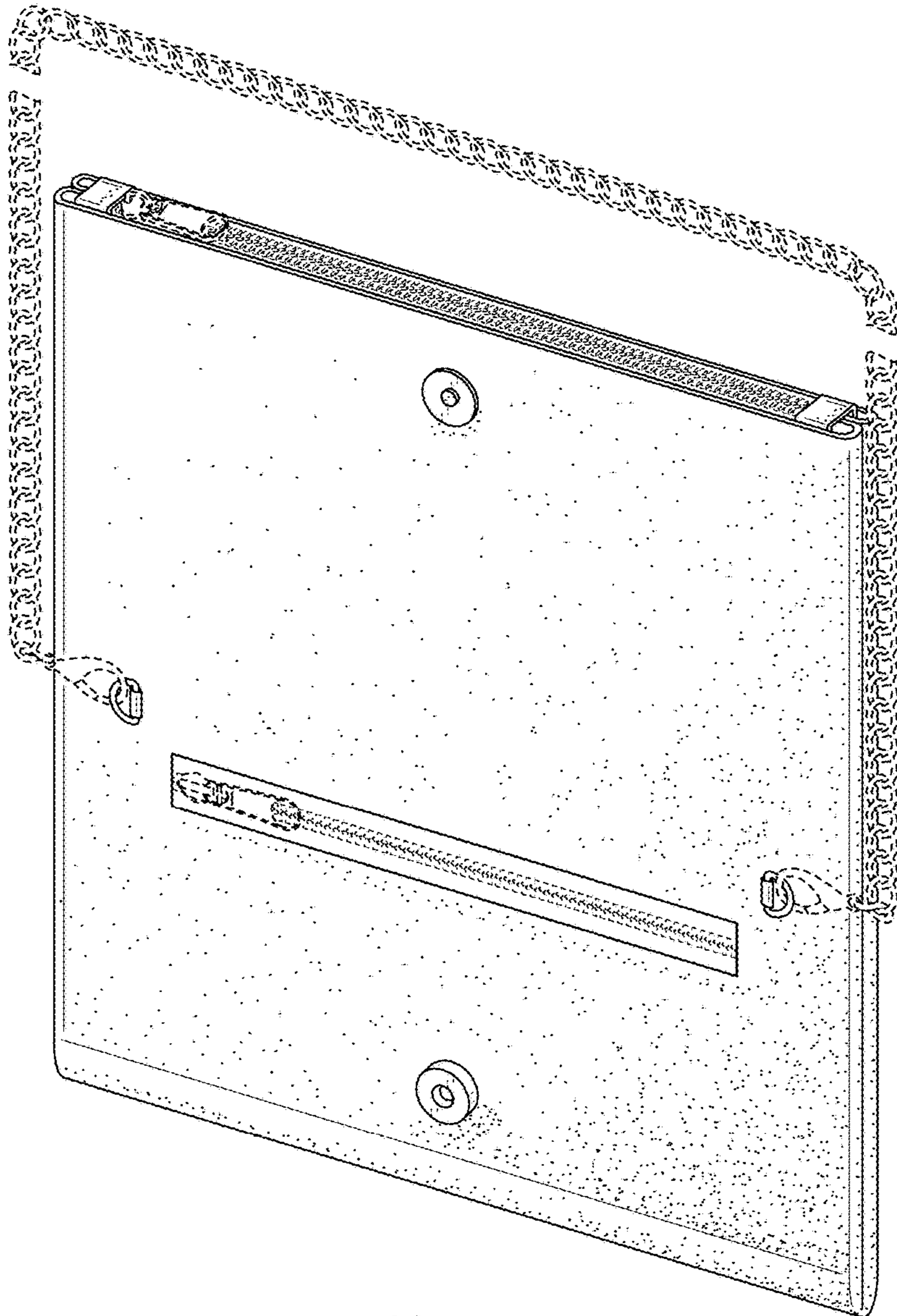


FIG. 8

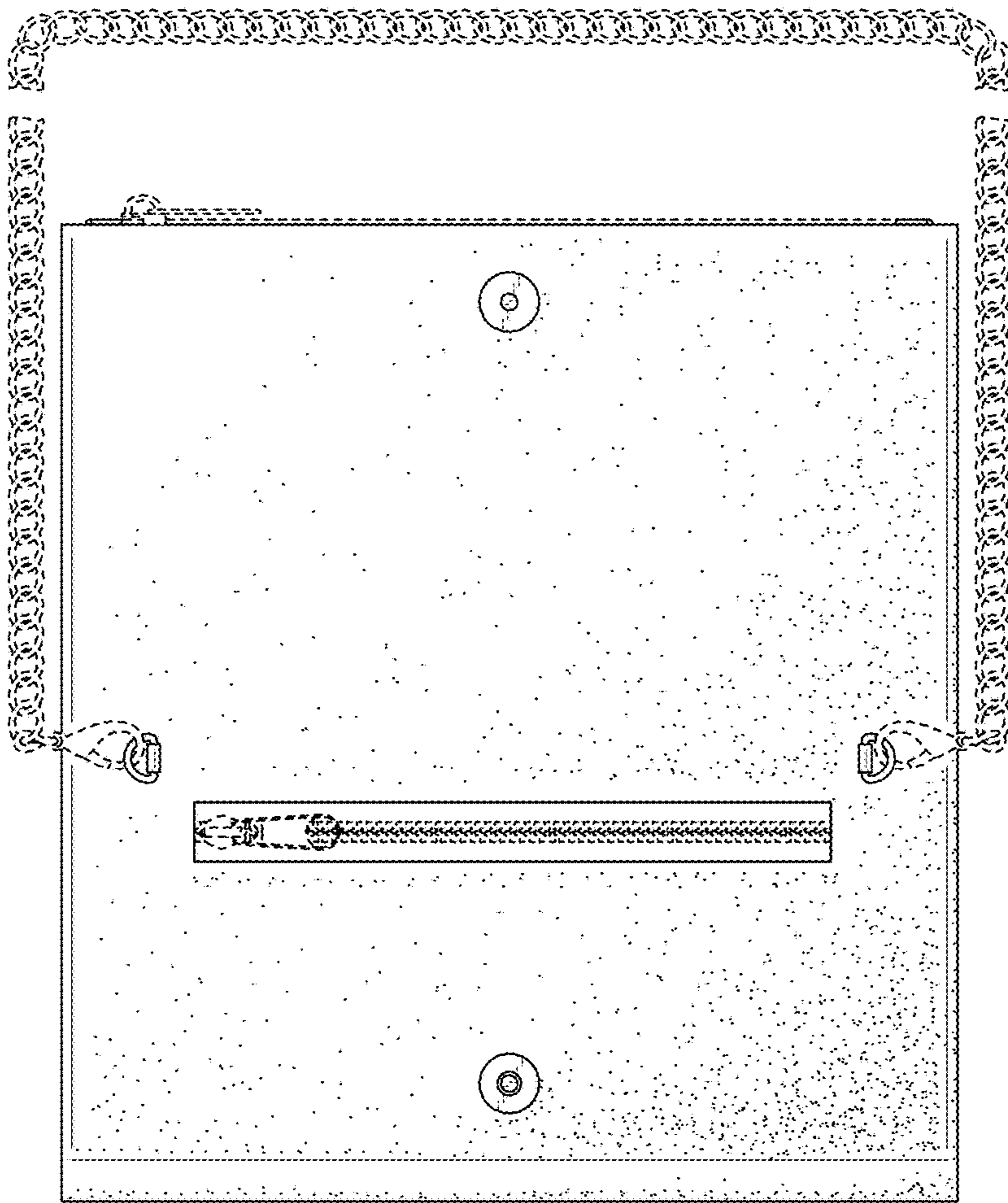


FIG. 9

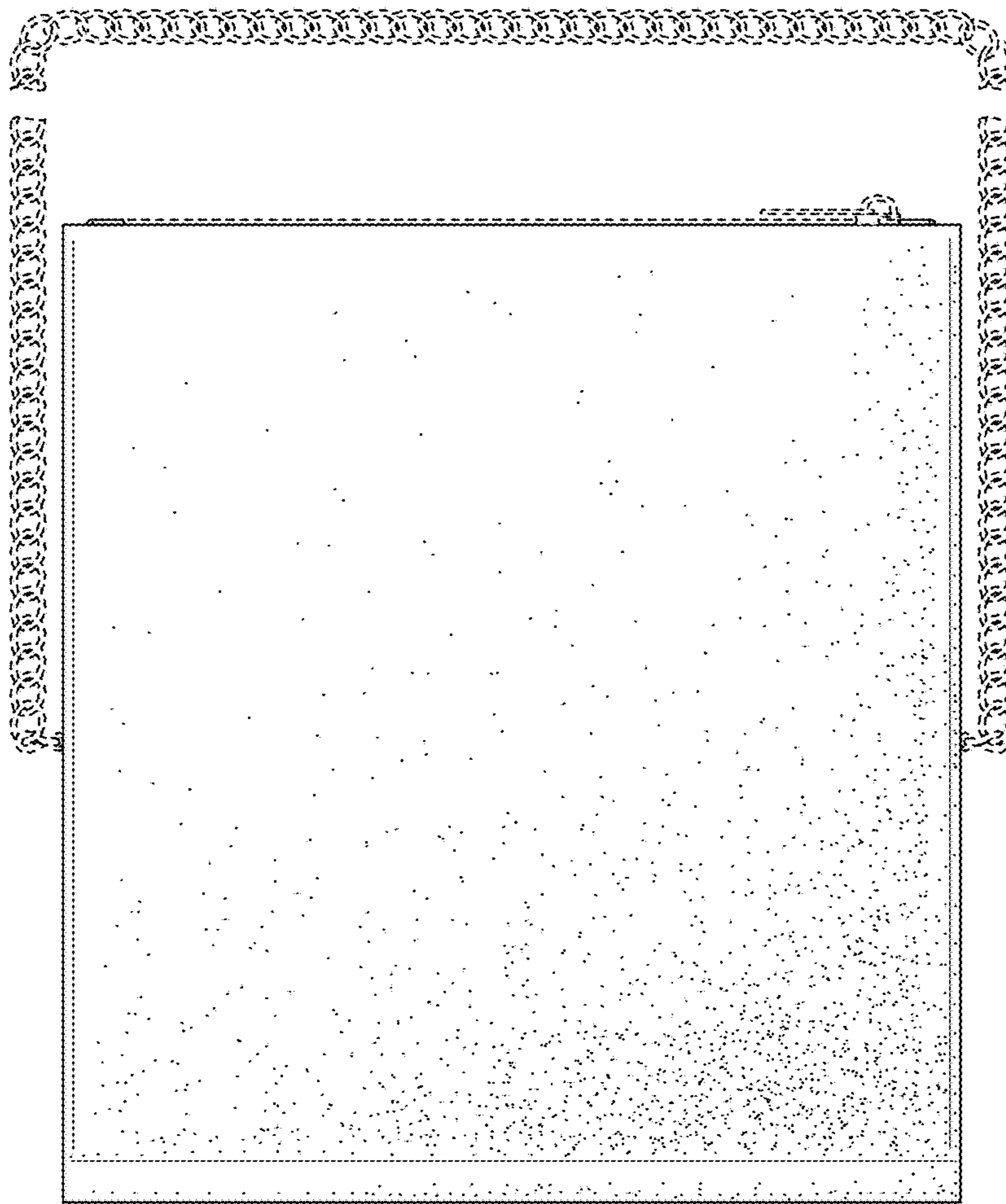


FIG. 10

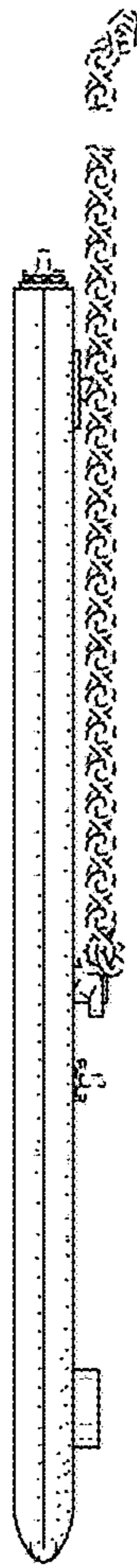


FIG. 11

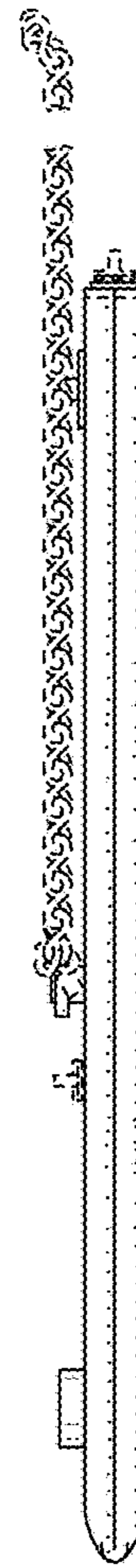


FIG. 12



FIG. 13

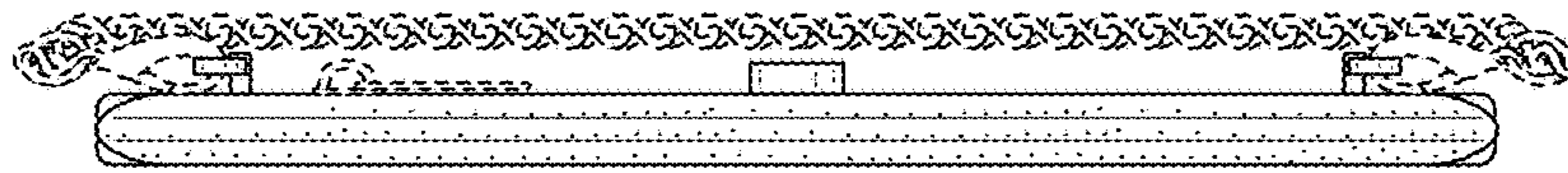


FIG. 14

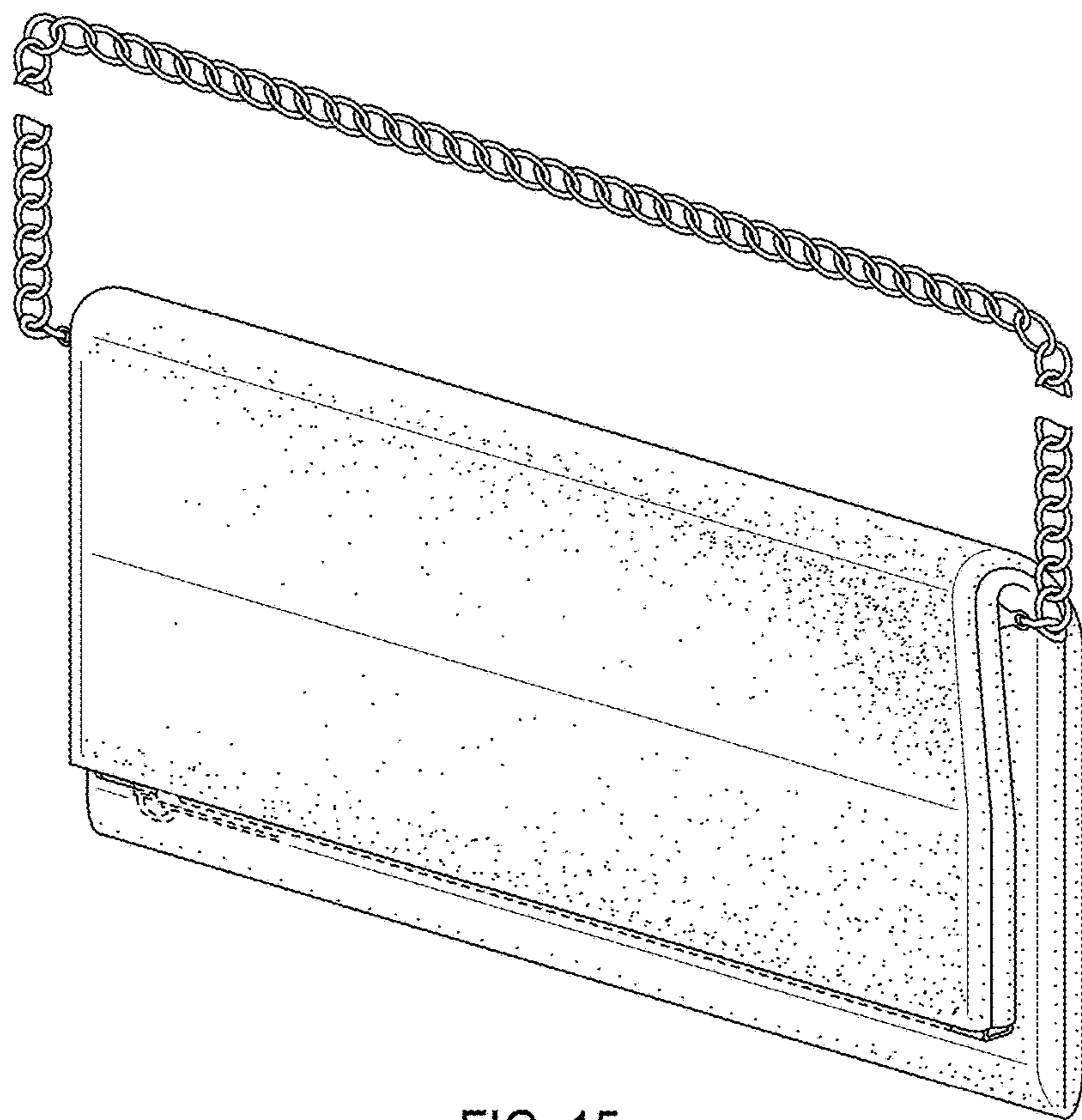


FIG. 15

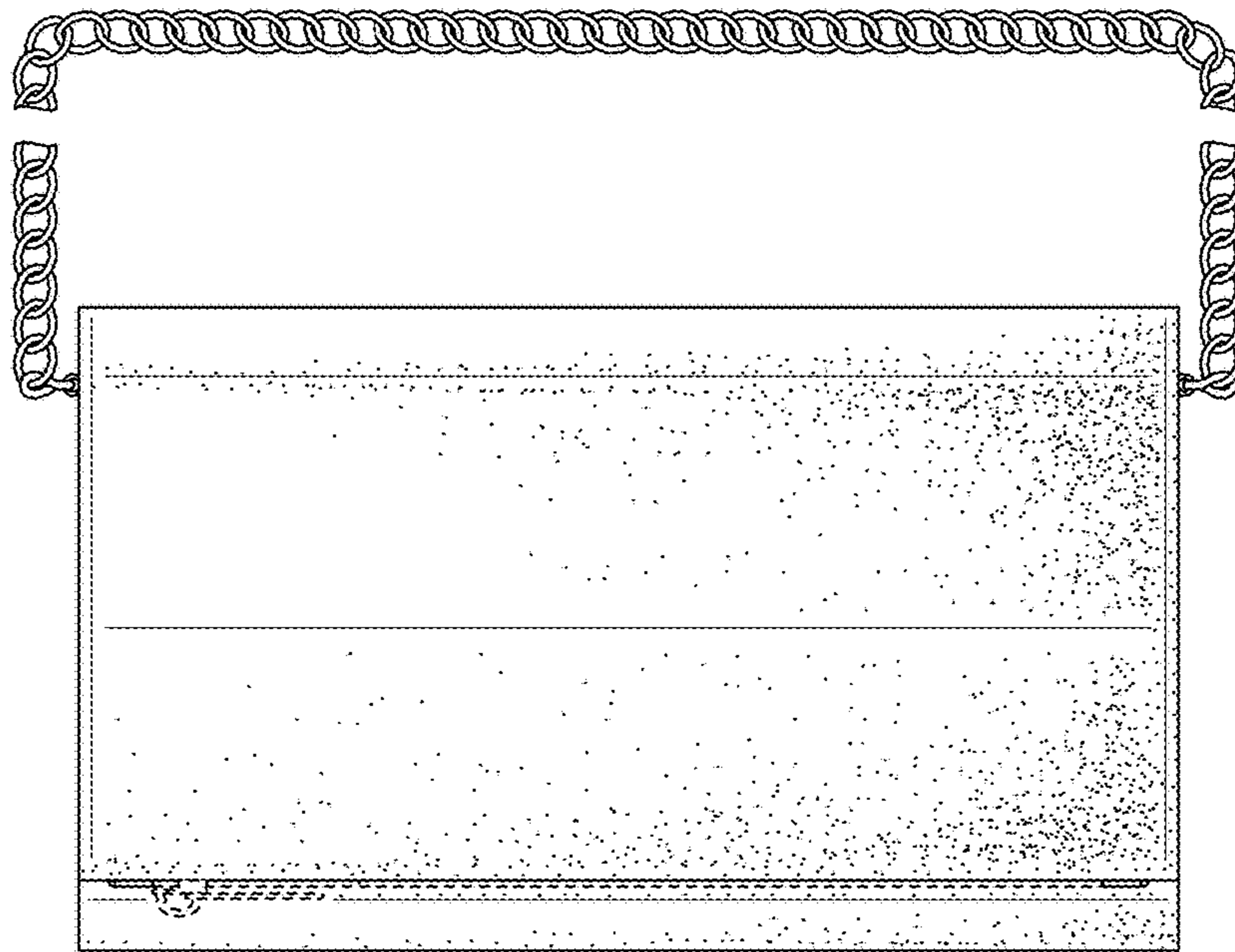


FIG. 16

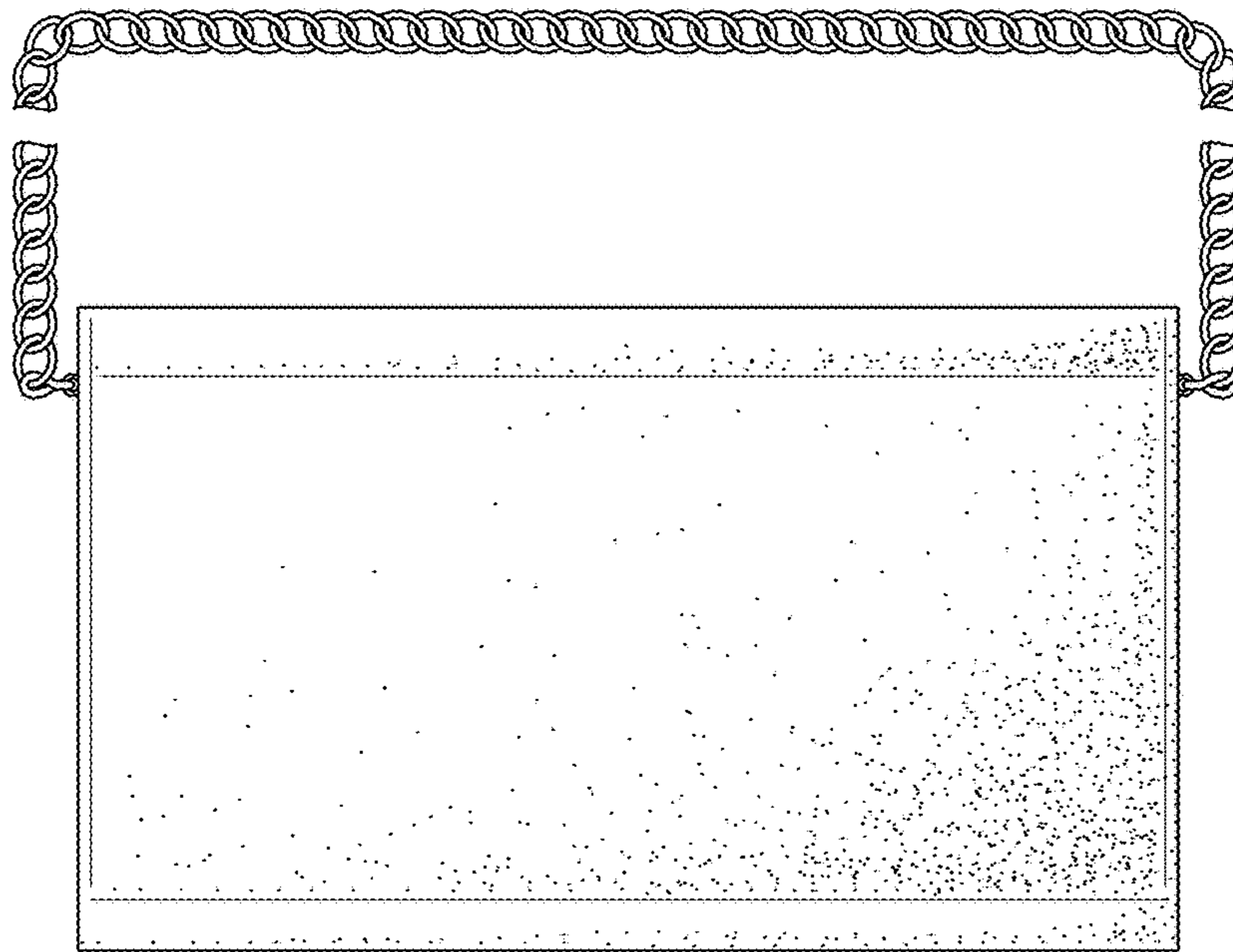


FIG. 17

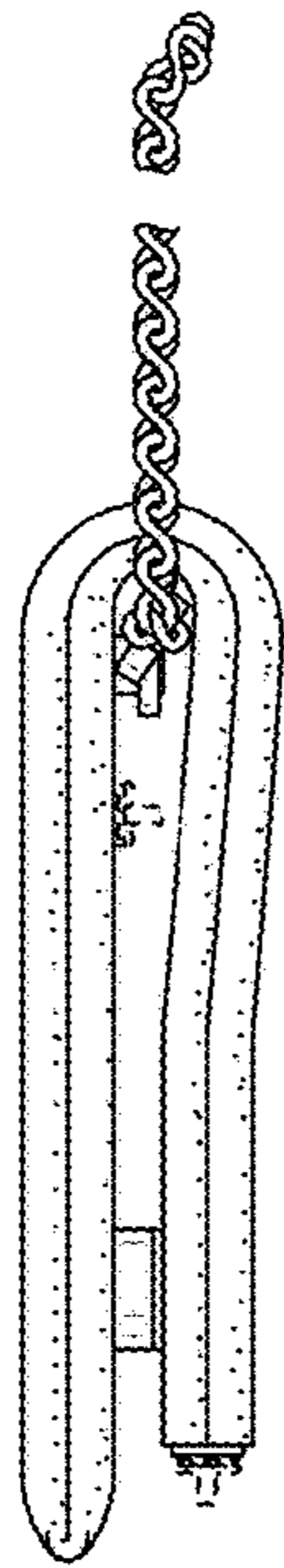


FIG. 18

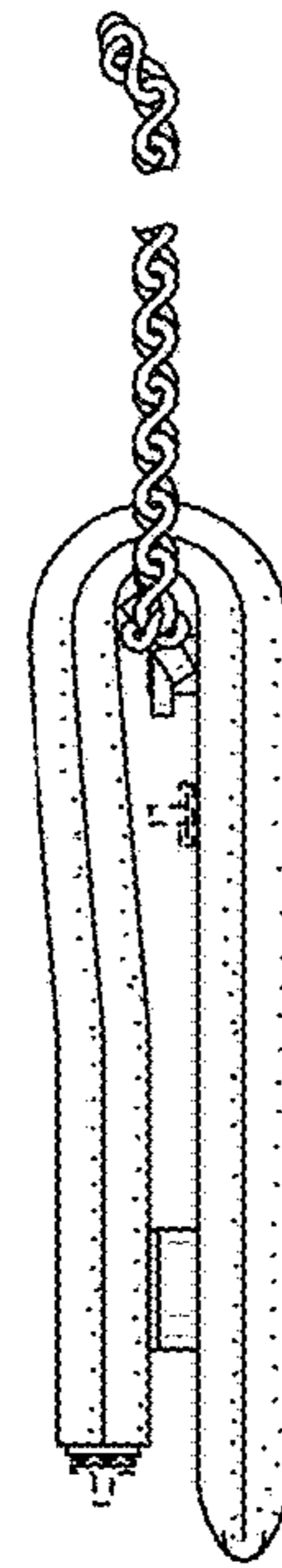


FIG. 19

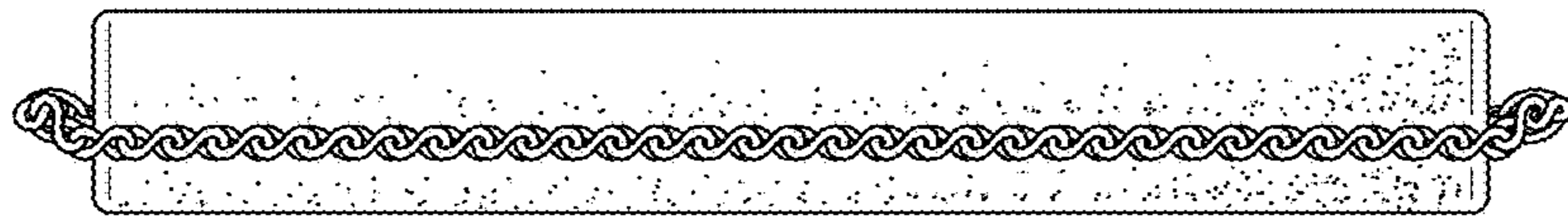


FIG. 20



FIG. 21

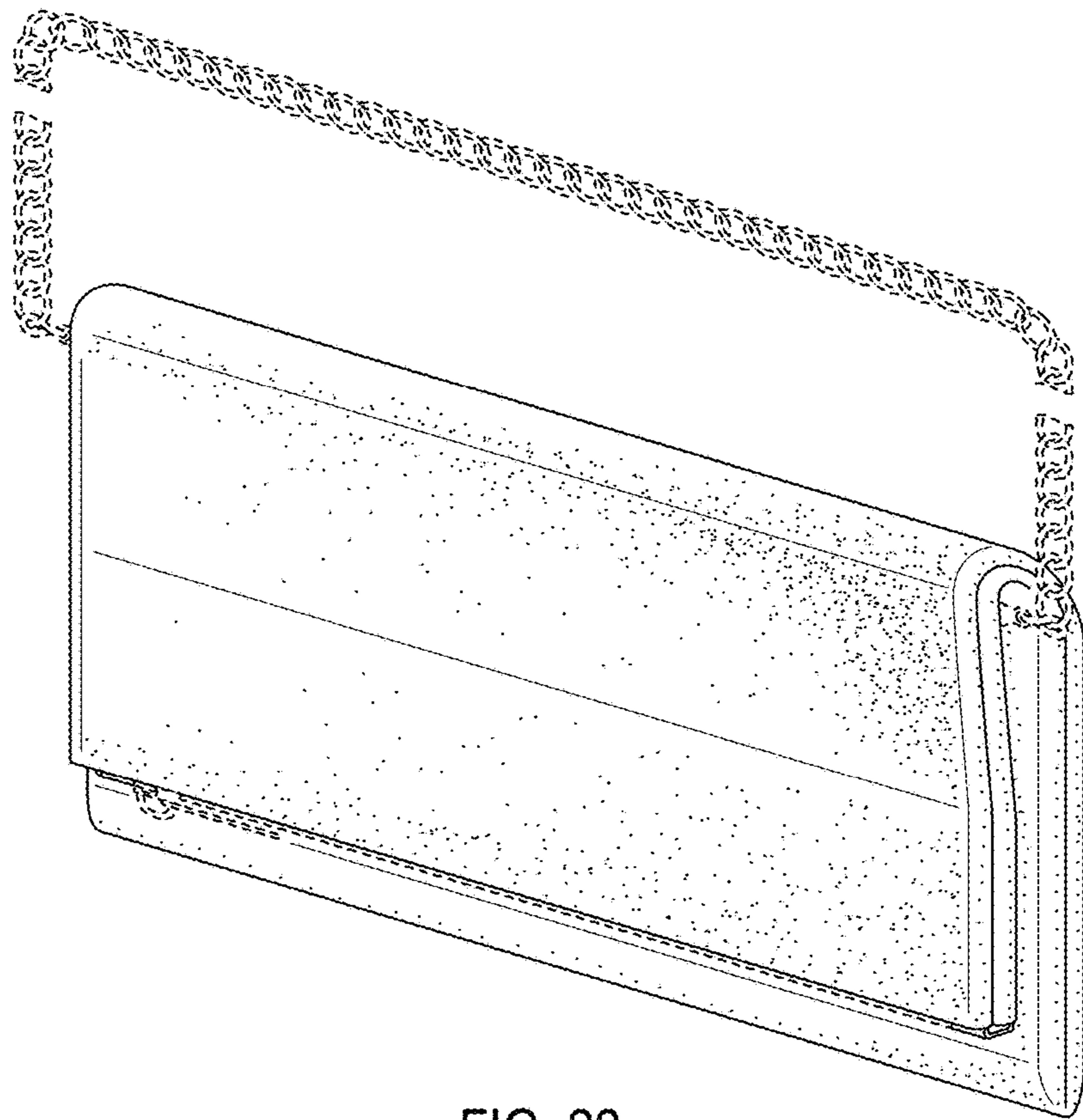


FIG. 22

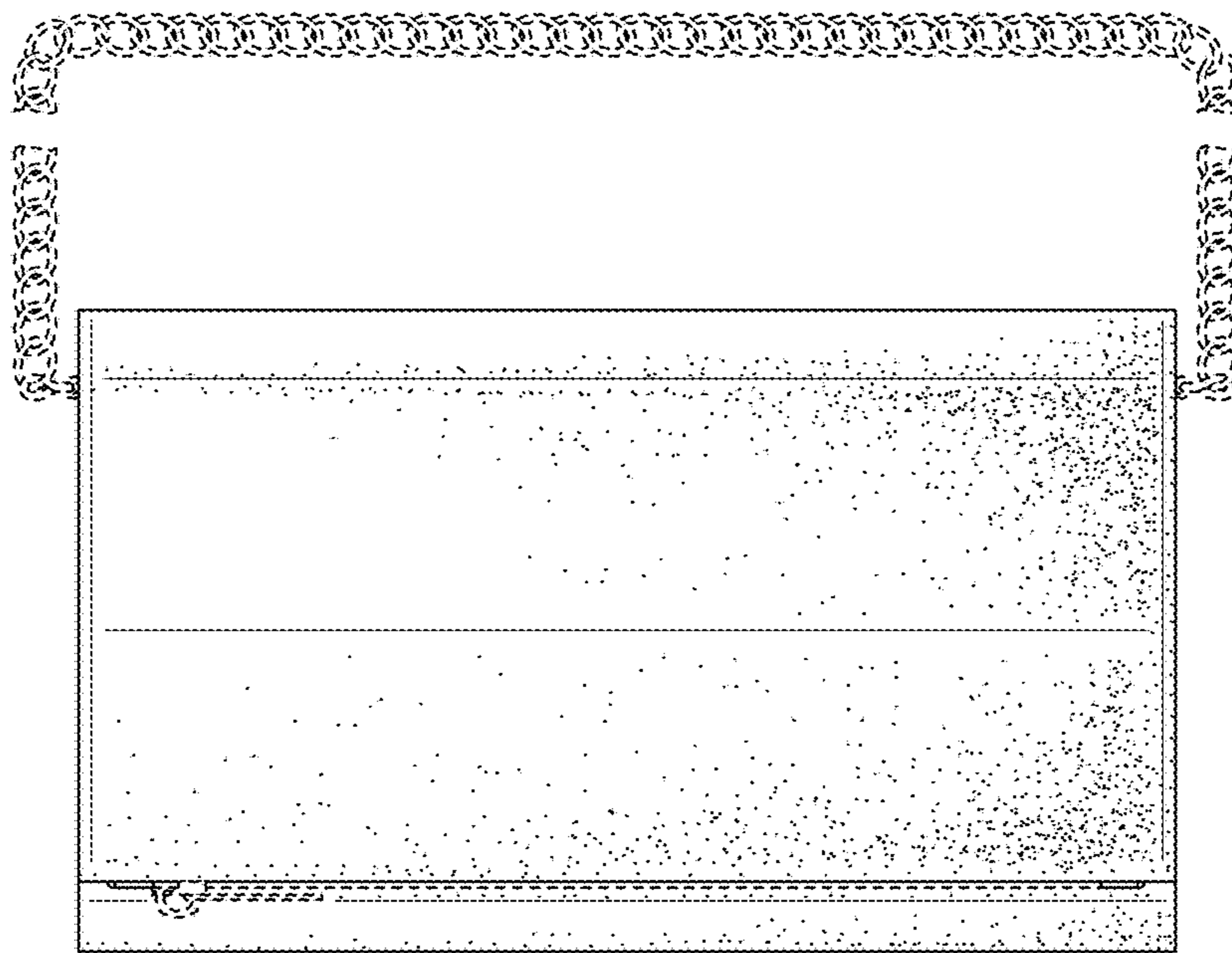


FIG. 23

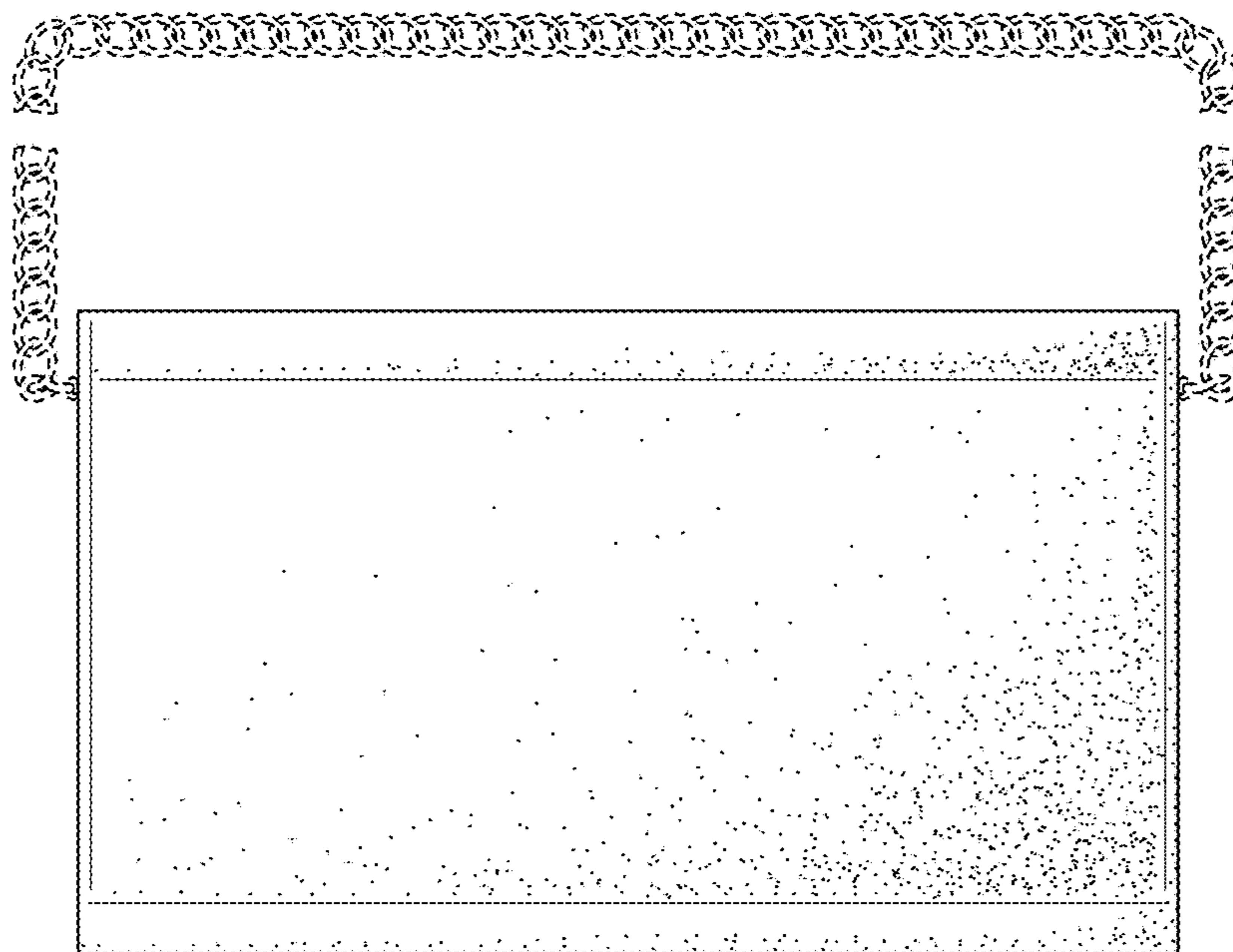


FIG. 24

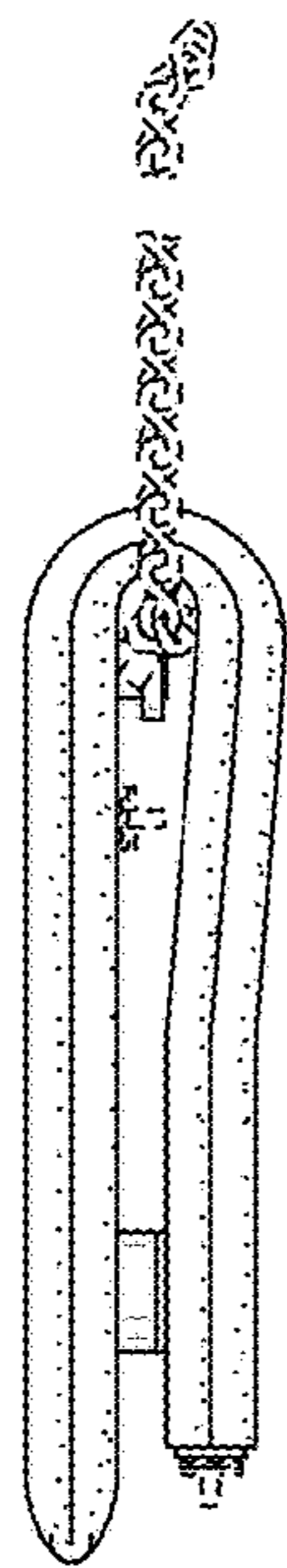


FIG. 25

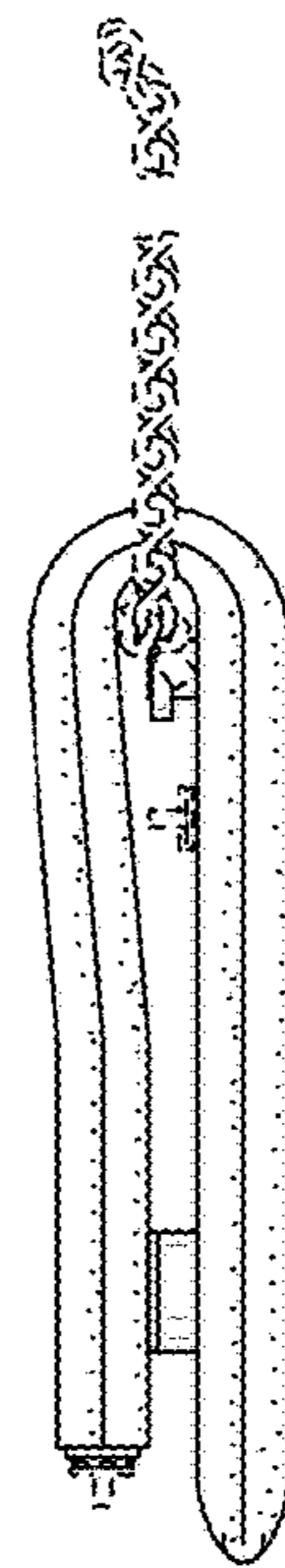


FIG. 26



FIG. 27

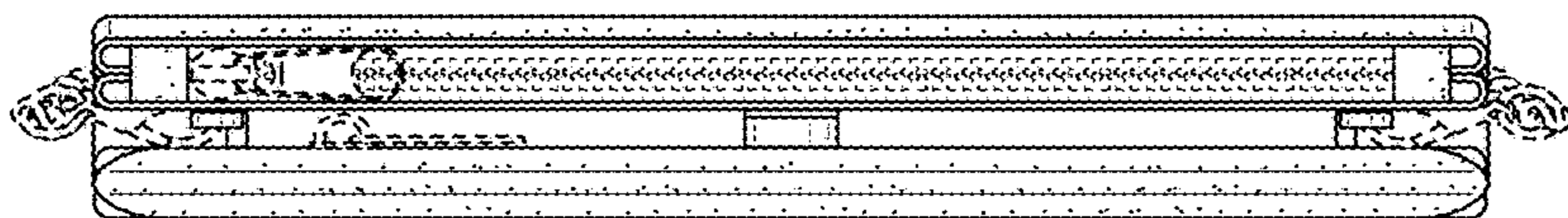


FIG. 28