



US00D845620S

(12) **United States Design Patent** (10) **Patent No.:** **US D845,620 S**
Gerbelle (45) **Date of Patent:** **** Apr. 16, 2019**

(54) **HANDBAG**
(71) Applicant: **J. Choo Limited**, London (GB)
(72) Inventor: **Rina Gerbelle**, Paris (FR)
(73) Assignee: **J. Choo Limited**, London (GB)
(**) Term: **15 Years**

D790,852 S * 7/2017 Gerbelle D3/243
D792,091 S * 7/2017 Sassi D3/232
D807,032 S * 1/2018 Agazzi D3/243
D808,657 S * 1/2018 Gerbelle D3/324
D810,426 S * 2/2018 Hulme D3/232
D810,428 S * 2/2018 Amat D3/243
D811,734 S * 3/2018 Jakubowski D3/232
D824,172 S * 7/2018 Gerbelle D3/318
D836,341 S * 12/2018 Kite D3/318
2009/0026240 A1 * 1/2009 Wang A45C 3/06
224/575

(21) Appl. No.: **29/603,588**

(22) Filed: **May 10, 2017**

(30) **Foreign Application Priority Data**

Nov. 21, 2016 (EM) 003475870-0010

(51) **LOC (11) Cl.** **03-01**

(52) **U.S. Cl.**
USPC **D3/232; D3/246**

(58) **Field of Classification Search**
USPC D3/232–236, 238–243, 245–246, 318,
D3/304, 306–308; D9/681
CPC A45C 1/024; A45C 3/06; A45C 3/10
See application file for complete search history.

(56) **References Cited**

U.S. PATENT DOCUMENTS

D326,018 S 5/1992 Imbert
D508,320 S * 8/2005 Holland D3/303
D534,349 S 1/2007 Cardoso
D569,610 S * 5/2008 Wang D3/246
D572,004 S * 7/2008 Orietti Carella D3/232
D578,306 S * 10/2008 Hermann D3/232
D677,883 S * 3/2013 Brown D3/233
D723,268 S * 3/2015 Brown D3/233
D724,836 S * 3/2015 Thai D3/232
D725,900 S * 4/2015 McCue D3/232
D729,514 S * 5/2015 Della Valle D3/232
D757,426 S * 5/2016 Molina D3/232
D776,923 S * 1/2017 Sassi D3/243
D787,818 S * 5/2017 Gerbelle D3/243

OTHER PUBLICATIONS

Design U.S. Appl. No. 29/581,508 for Handbag (Lockett Minaudiere—Color Photos).

* cited by examiner

Primary Examiner — Cathron C Brooks

Assistant Examiner — Andrew T Nemeth

(74) *Attorney, Agent, or Firm* — Fross Zelnick Lehrman & Zissu, P.C.; Lawrence E. Apolzon, Esq.

(57) **CLAIM**

The ornamental design for a handbag, as shown and described.

DESCRIPTION

FIG. 1 is a front perspective view of a handbag showing my new design;
FIG. 2 is a left right side view thereof;
FIG. 3 is a right left side view thereof;
FIG. 4 is a front view thereof;
FIG. 5 is a back view thereof;
FIG. 6 is a top view thereof; and,
FIG. 7 is a bottom view thereof.
The broken lines illustrate portions of the handbag and form no part of the claimed design.

1 Claim, 7 Drawing Sheets





FIG. 1

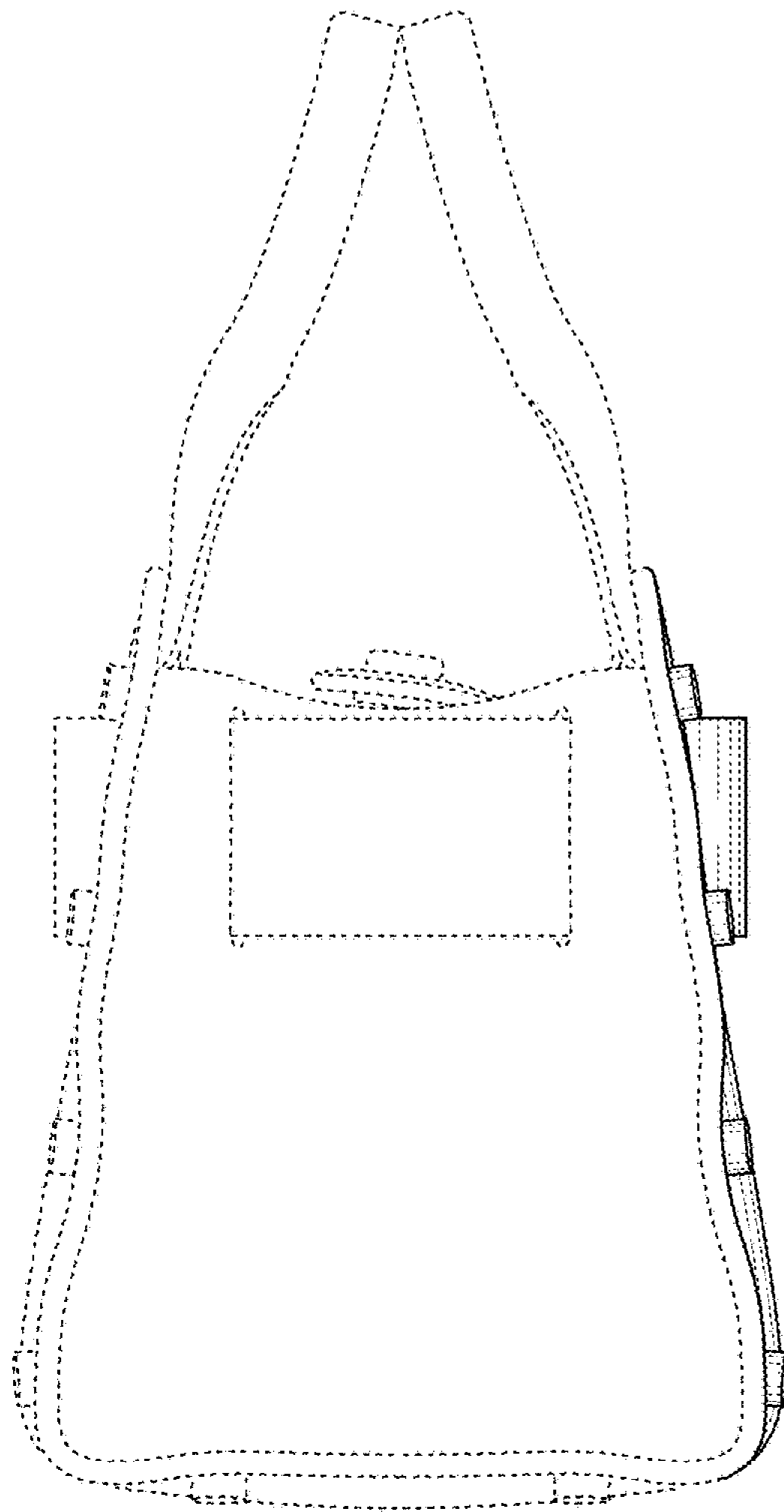


FIG. 2

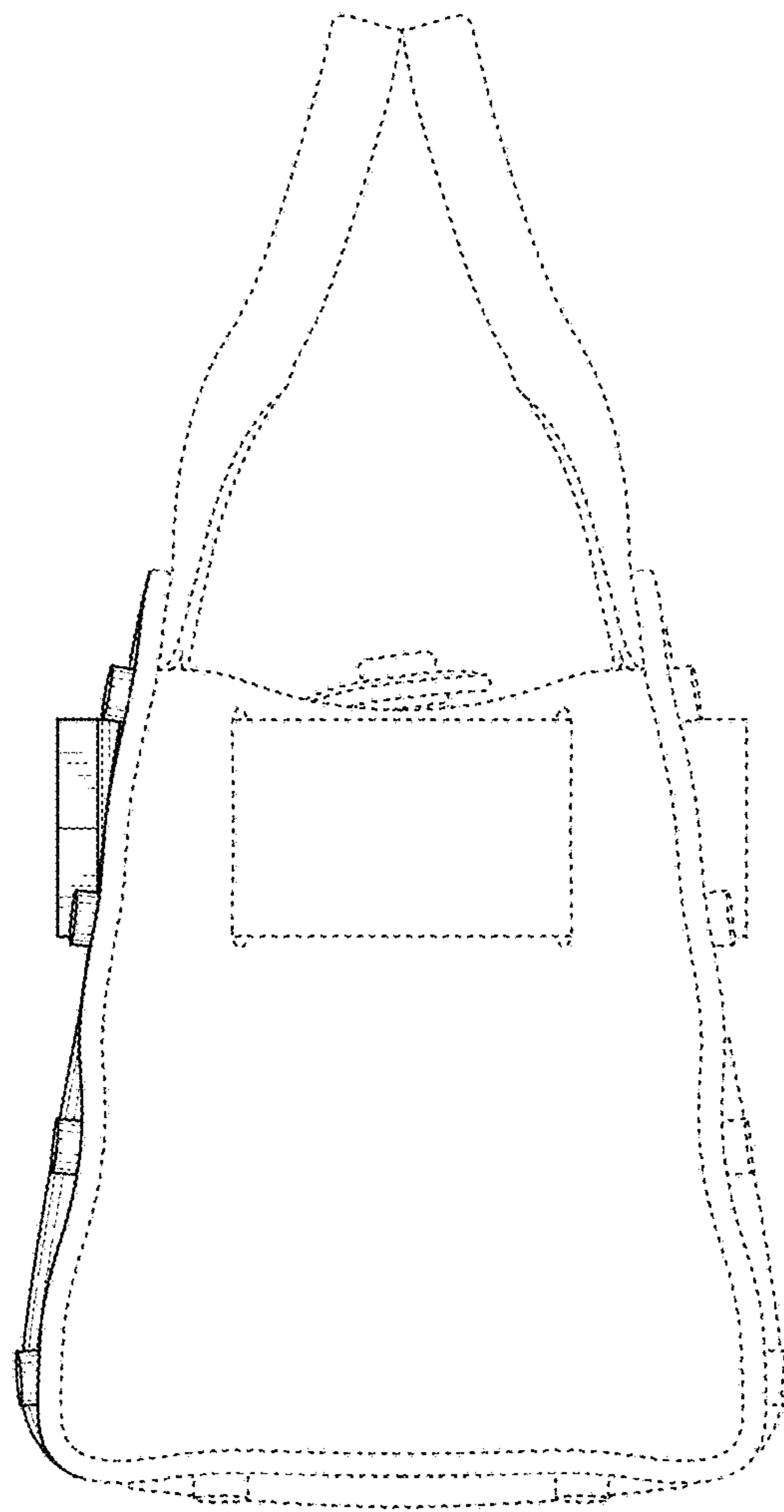


FIG. 3

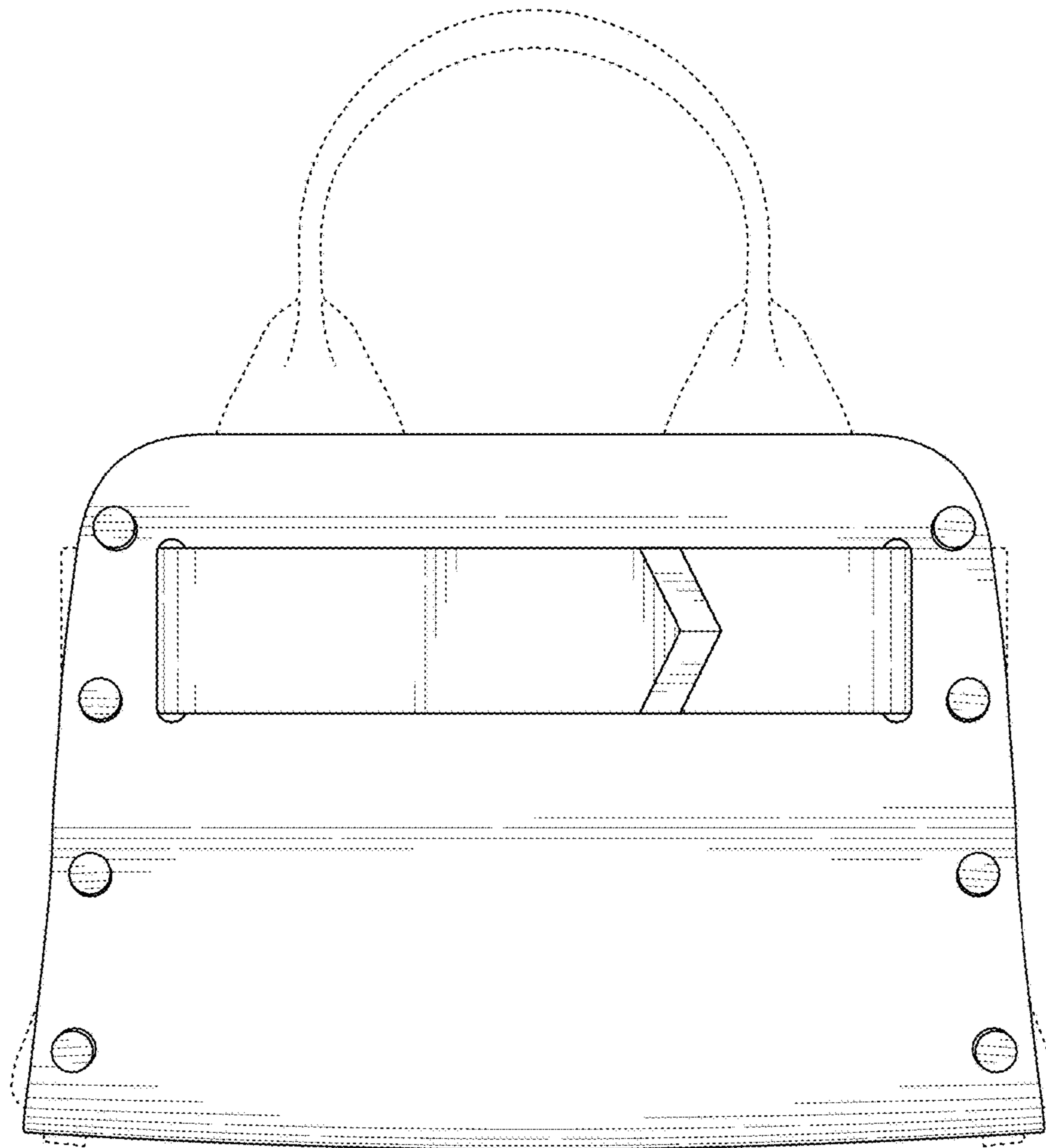


FIG. 4



FIG. 5

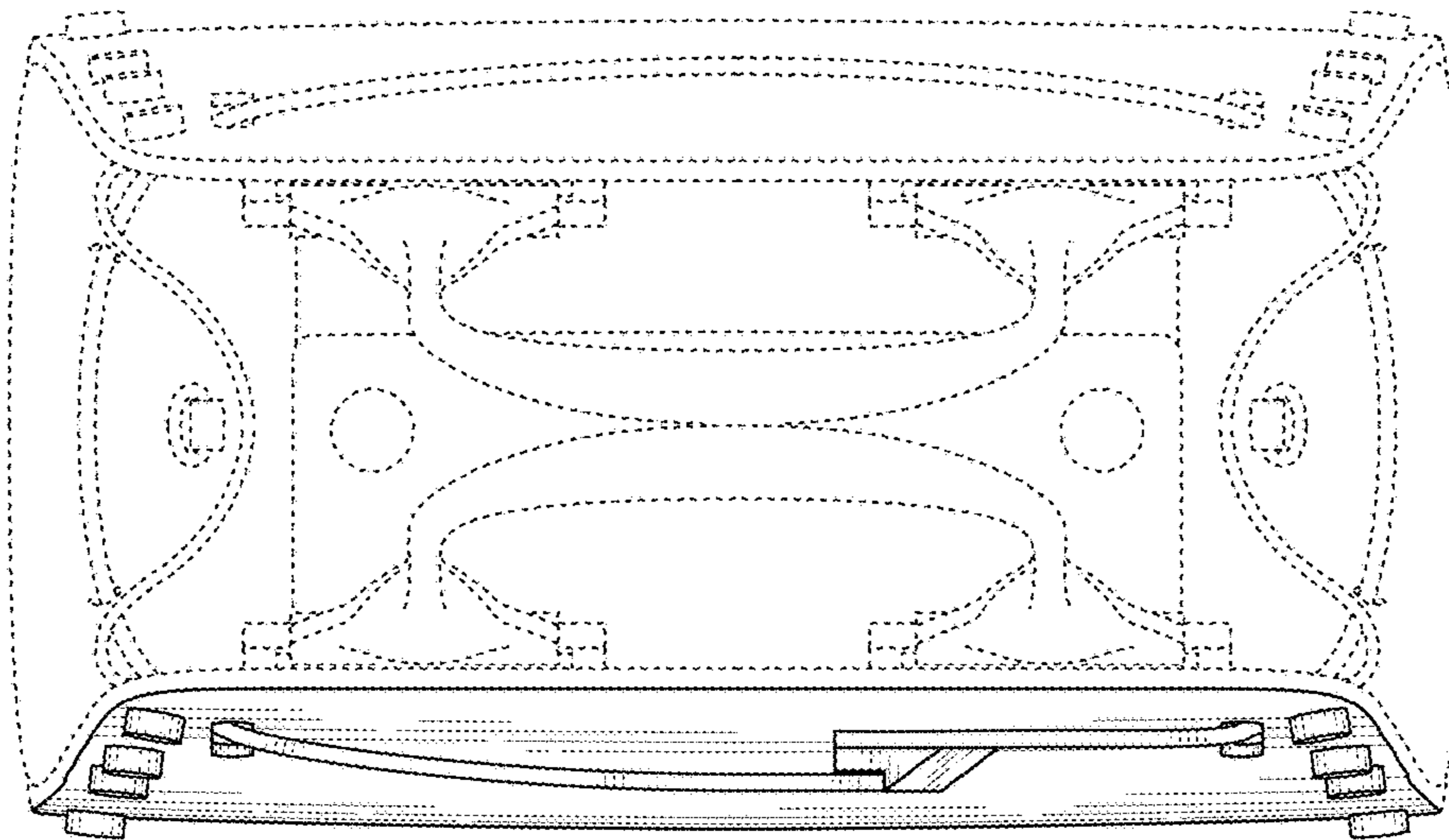


FIG. 6

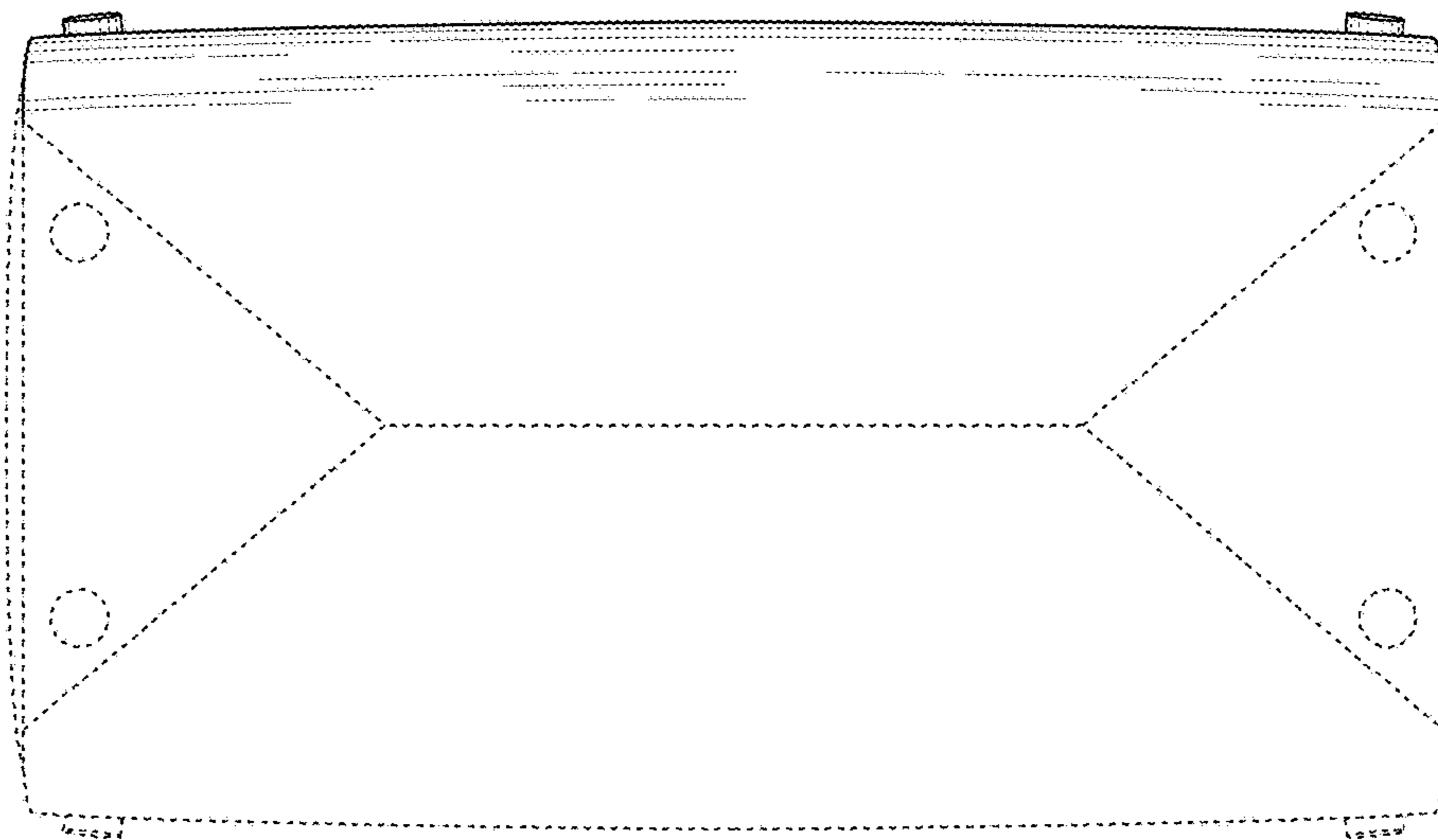


FIG. 7