



US00D845619S

(12) **United States Design Patent**
Cronkshaw

(10) **Patent No.:** **US D845,619 S**
(45) **Date of Patent:** **** Apr. 16, 2019**

(54) **SHOPPING BAG**

FOREIGN PATENT DOCUMENTS

(71) Applicant: **Trolley Bags UK Ltd**, Tiverton (GB)

EM 003448562-0001 11/2016

(72) Inventor: **Joby Cronkshaw**, Tiverton (GB)

OTHER PUBLICATIONS

(**) Term: **15 Years**

Amazon, "Earthwise Reusable Grocery Bag", First for sale on Apr. 21, 2015. (<https://www.amazon.com/Earthwise-Reusable-Collapsible-Shopping-Reinforced/dp/B00WH46ISK>).*

(21) Appl. No.: **29/591,616**

(Continued)

(22) Filed: **Jan. 21, 2017**

Primary Examiner — Jennifer Rivard

(30) **Foreign Application Priority Data**

Assistant Examiner — April Rivas

Nov. 4, 2016 (EM) 003448562-0001

(74) *Attorney, Agent, or Firm* — Crose Law LLC;
Bradley D. Crose

(51) **LOC (11) Cl.** **03-01**

(52) **U.S. Cl.**
USPC **D3/232; D3/902**

(57) **CLAIM**

(58) **Field of Classification Search**
USPC D3/203.1, 215, 217, 226, 233, 232, 273,
D3/274, 276, 283, 285, 289, 304, 305,
D3/902

The ornamental design for a shopping bag, as shown and described.

CPC B65D 21/084; B65D 85/16; B65D 25/54;
B65D 2577/041; B65D 5/3628; A45C
7/0036; A45C 7/009; A45C 7/0081

DESCRIPTION

See application file for complete search history.

FIG. 1 is a top perspective view of a shopping bag, showing my new design;
FIG. 2 is a front side perspective view thereof;
FIG. 3 is a right side perspective view thereof;
FIG. 4 is a top perspective view thereof with the interior base fully lifted and the bag completely collapsed;
FIG. 5 is a right side perspective view thereof with the bag completely collapsed;
FIG. 6 is a bottom perspective view thereof;
FIG. 7 is a bottom perspective view thereof with the bag completely collapsed;
FIG. 8 is a second top perspective view thereof with the interior base fully lifted and the bag partially collapsed;
FIG. 9 is a rear side perspective view thereof; and,
FIG. 10 is a third top side perspective view thereof with the interior base partially lifted.

(56) **References Cited**

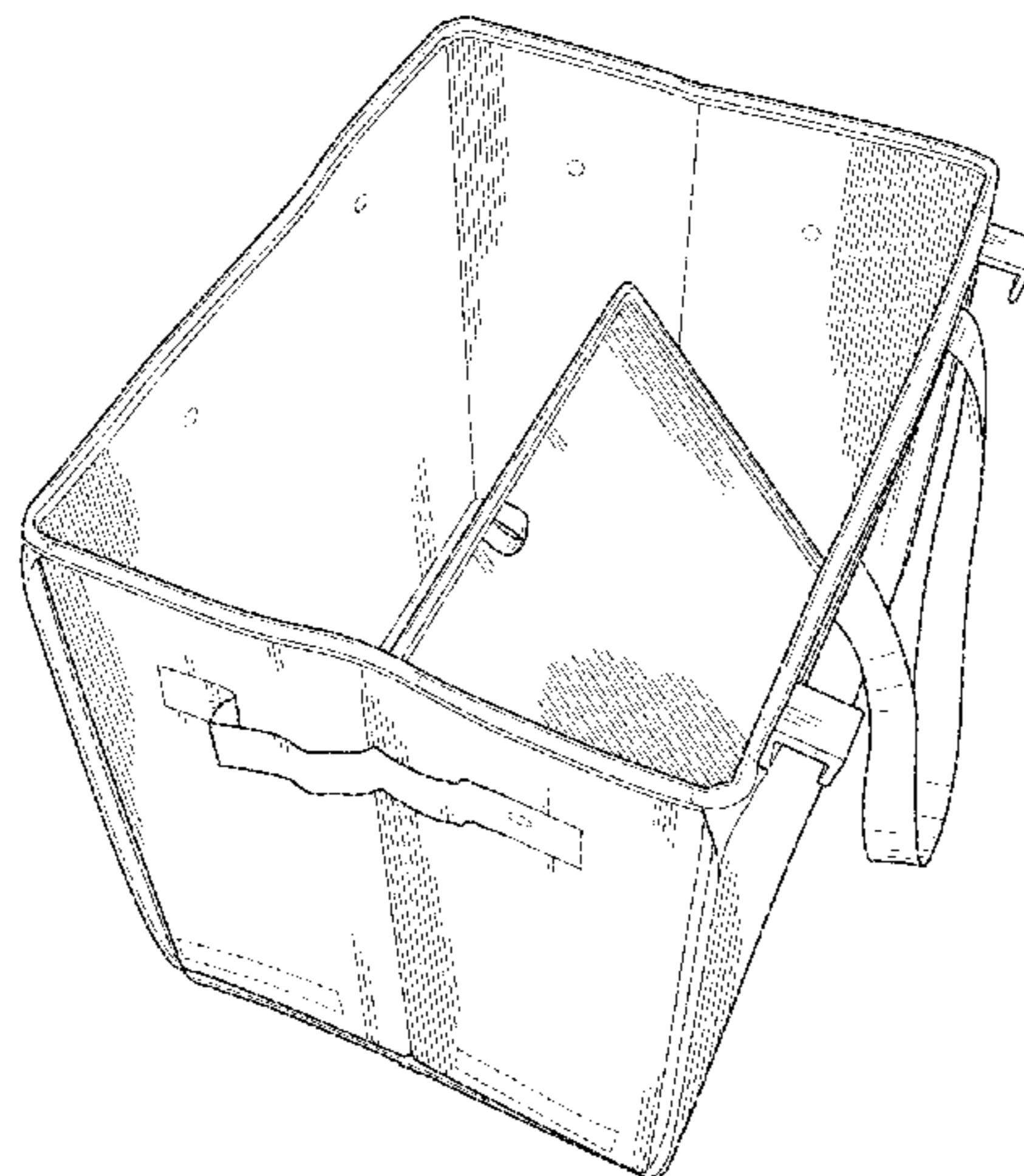
U.S. PATENT DOCUMENTS

D596,396 S *	7/2009	McCoy	D3/232
D630,013 S *	1/2011	Yu	D3/232
D633,296 S *	3/2011	Potts	D3/305
D641,157 S *	7/2011	Steele	D3/232
D648,935 S *	11/2011	Wickrama	D3/233
D685,575 S *	7/2013	Cullen	D3/272
D688,449 S *	8/2013	Schinasi	D3/232
D712,653 S *	9/2014	Van Migem	D3/232
D717,040 S *	11/2014	Swartzel	D3/232
D720,131 S *	12/2014	Siegel	D3/233
D720,925 S *	1/2015	Jones	D3/232
D721,484 S *	1/2015	Russell	D3/233

The broken lines shown in the drawings illustrate portions of the shopping bag and form no part of the claimed design.

(Continued)

1 Claim, 10 Drawing Sheets



(56)

References Cited

U.S. PATENT DOCUMENTS

D749,318	S	*	2/2016	LoNigro	D3/232
D758,731	S	*	6/2016	Noh	D3/304
D763,570	S	*	8/2016	Potts	D3/232
D764,791	S	*	8/2016	Patel	D3/232
D768,378	S	*	10/2016	Schilp	D3/232
9,527,626	B1	*	12/2016	Coronado	A45C 7/0036
D778,045	S	*	2/2017	Ruddis	D3/232
D783,287	S	*	4/2017	Swartzel	D3/305
D783,288	S	*	4/2017	Starck	D3/283
D790,851	S	*	7/2017	Domingo	D3/232
D799,823	S	*	10/2017	Schartle	D3/285
2011/0168598	A1	*	7/2011	Rees	B65D 11/186 206/505
2015/0122810	A1	*	5/2015	Yang	A45C 3/00 220/9.4

OTHER PUBLICATIONS

VAmazon, "Reisenthel EasyBags, in Black", First on sale Sep. 24, 2012. (<https://www.amazon.com/reisenthel-Reisenthel-EasyBags-in-Black/dp/B0058BPY9S>).*

Oleana boutique blog, "greensac at Galleria 2000", posted Jun. 7, 2011. (<https://oleana.wordpress.com/2011/06/07/greensac-at-galleria-2000/>).*

* cited by examiner

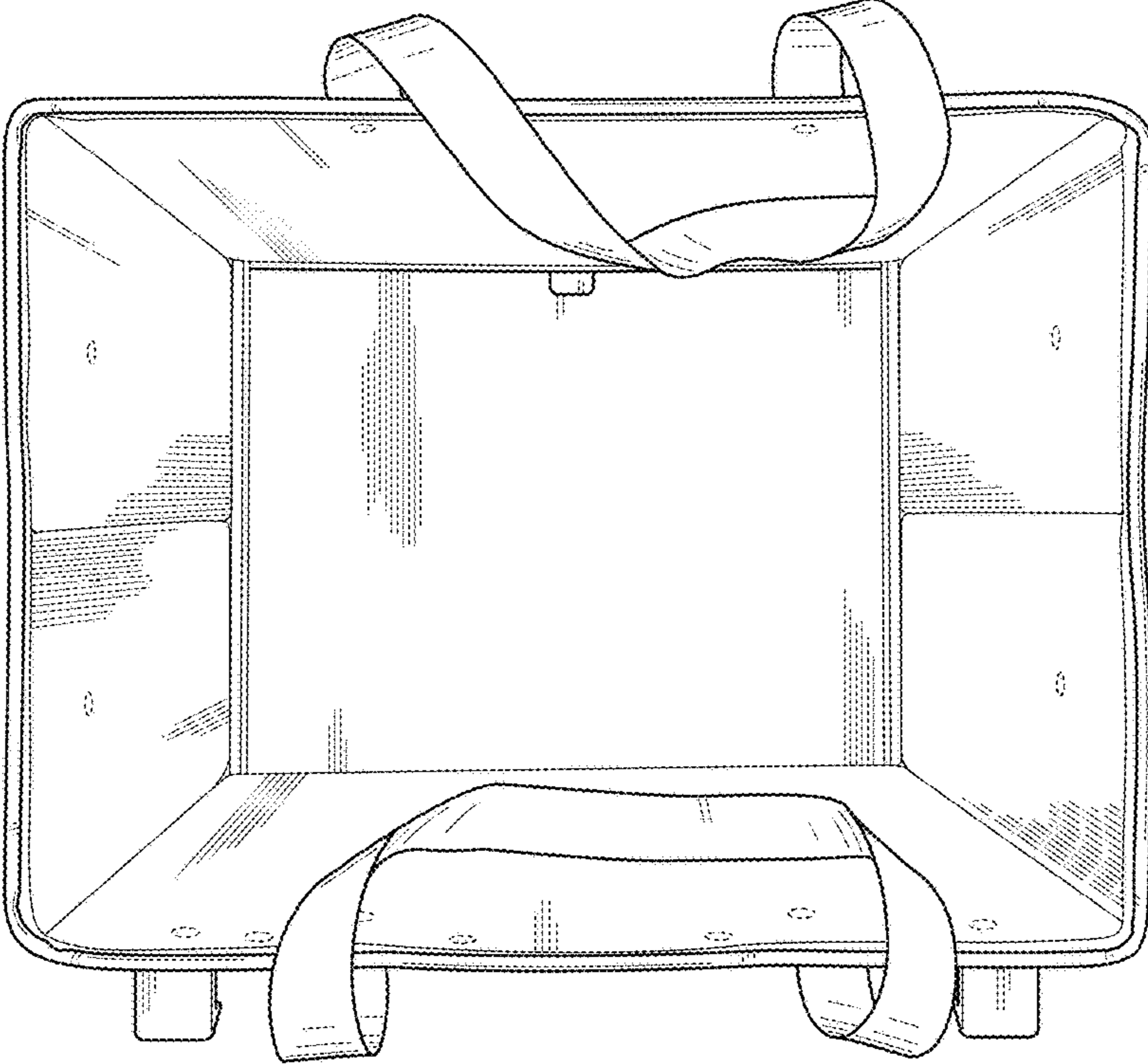


FIG. 1

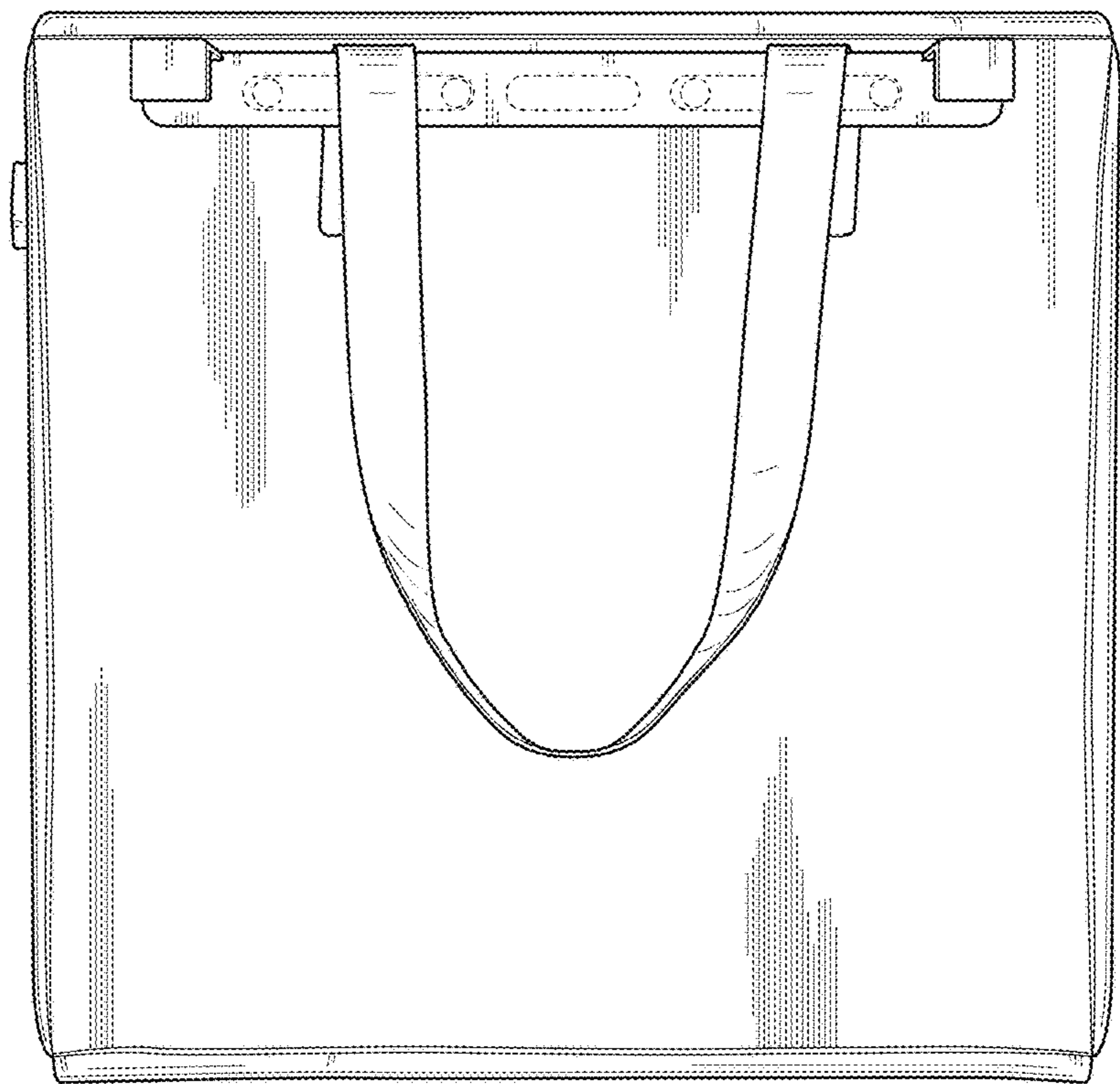


FIG. 2

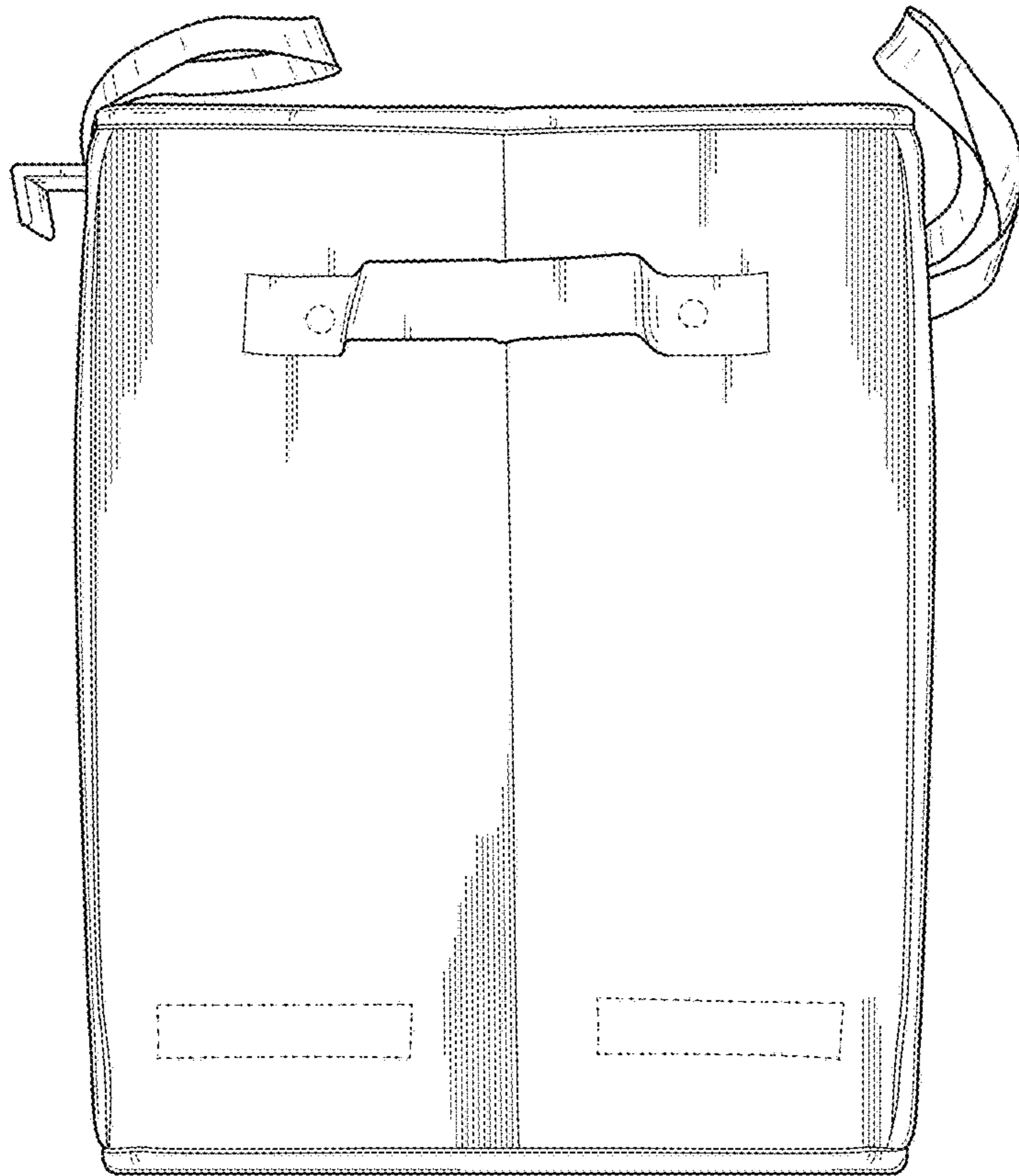


FIG. 3

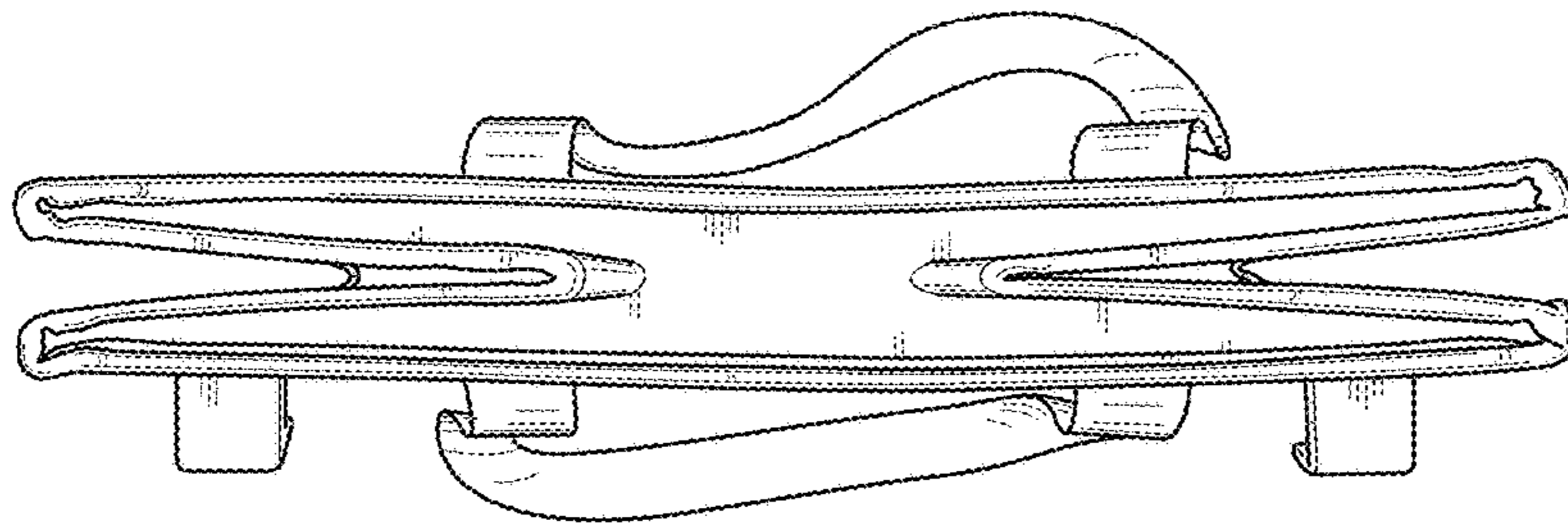


FIG. 4

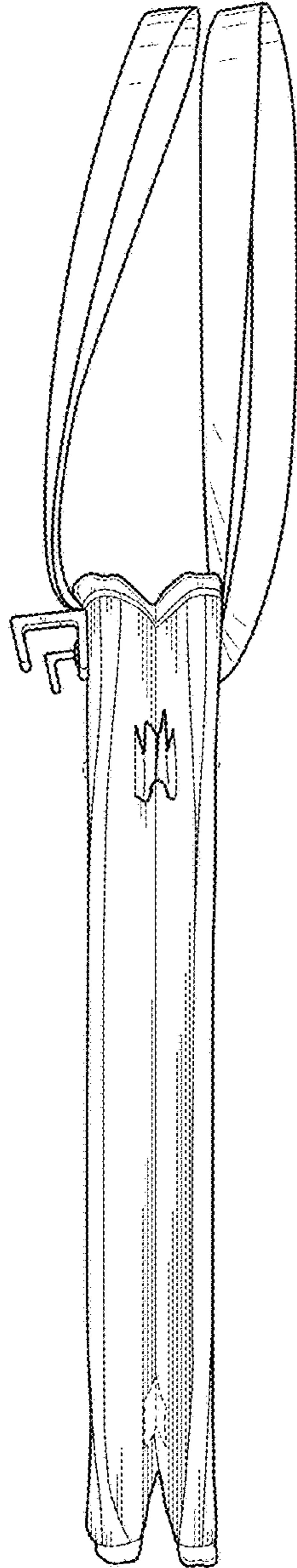


FIG. 5

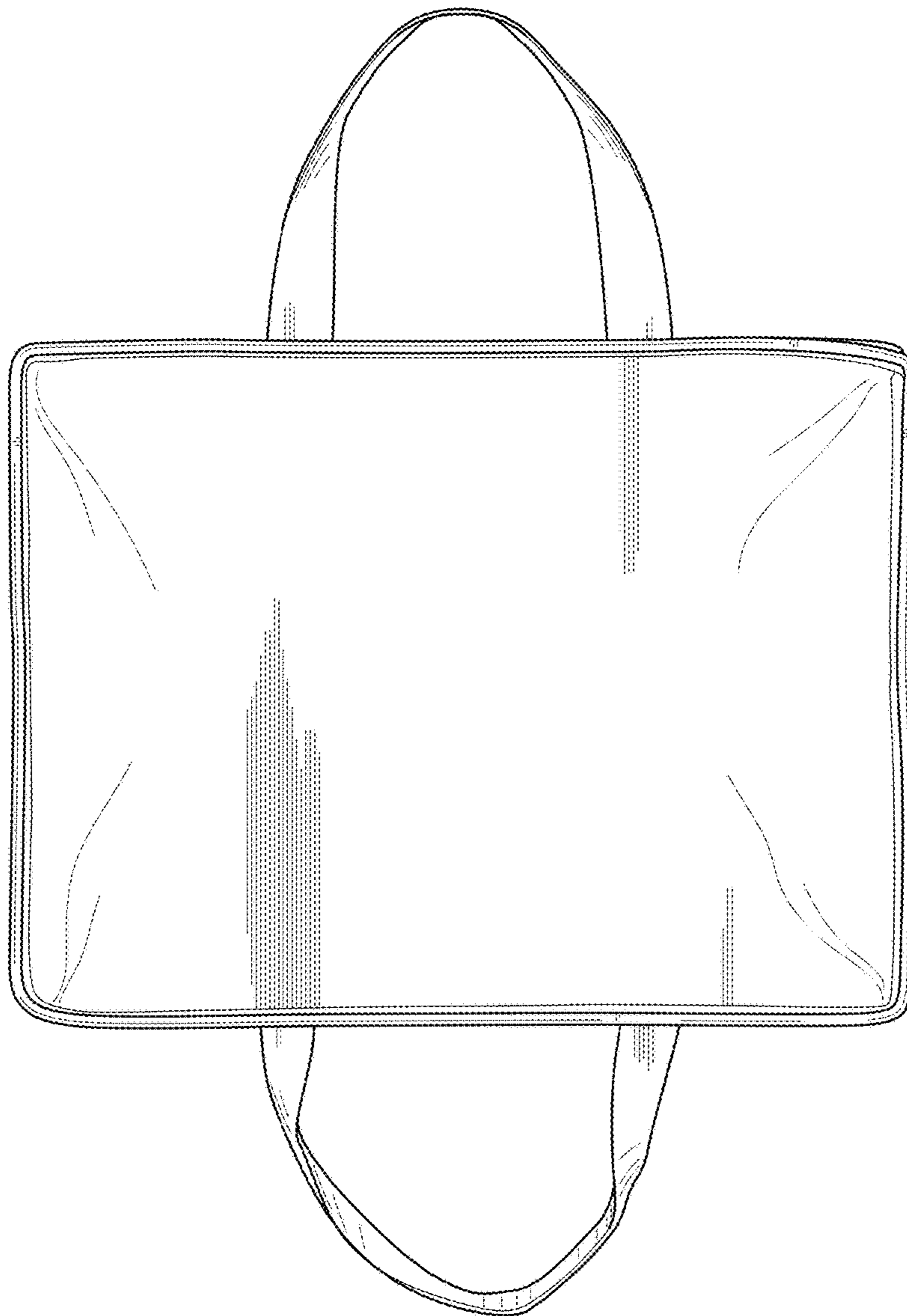


FIG. 6

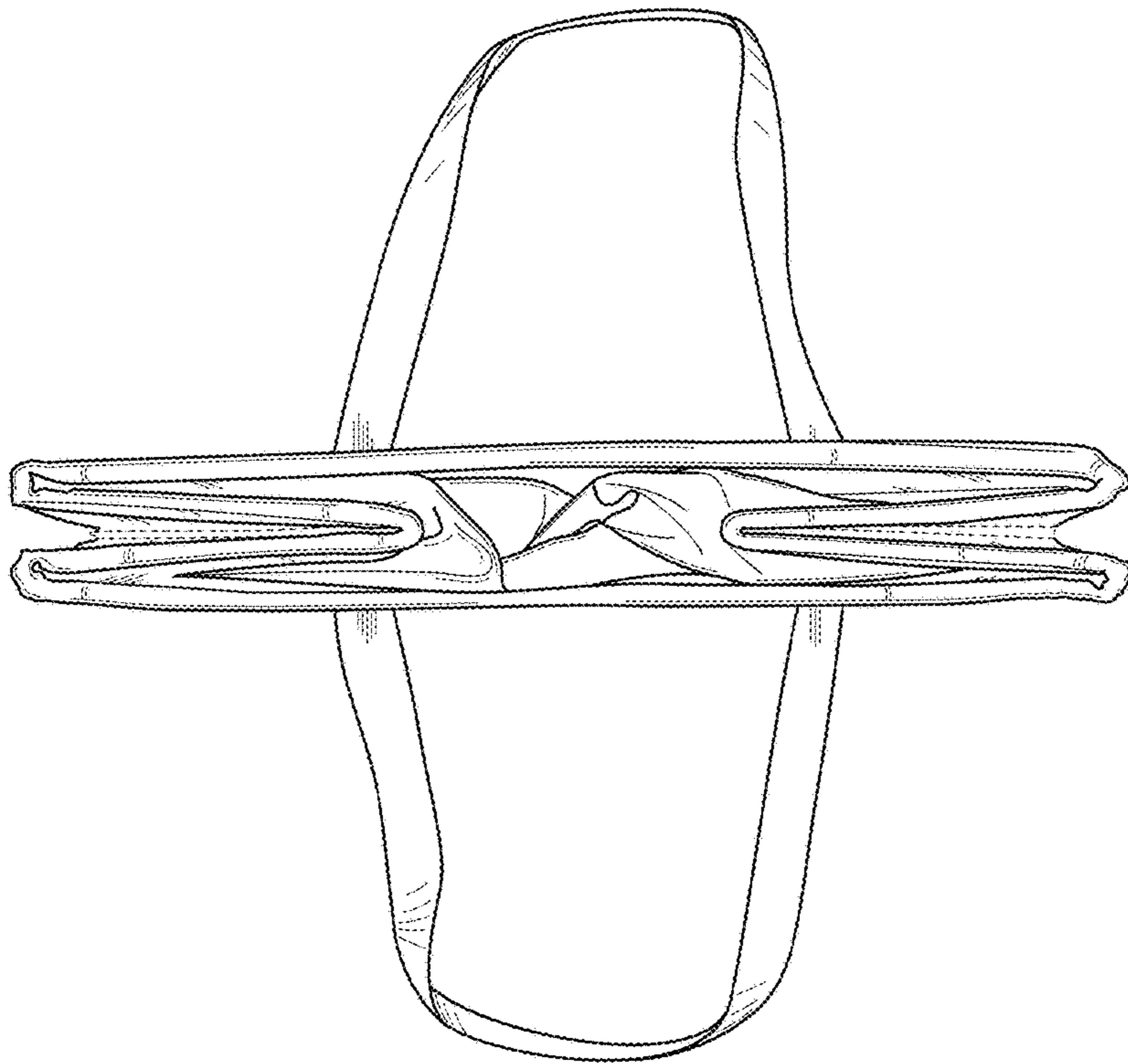


FIG. 7

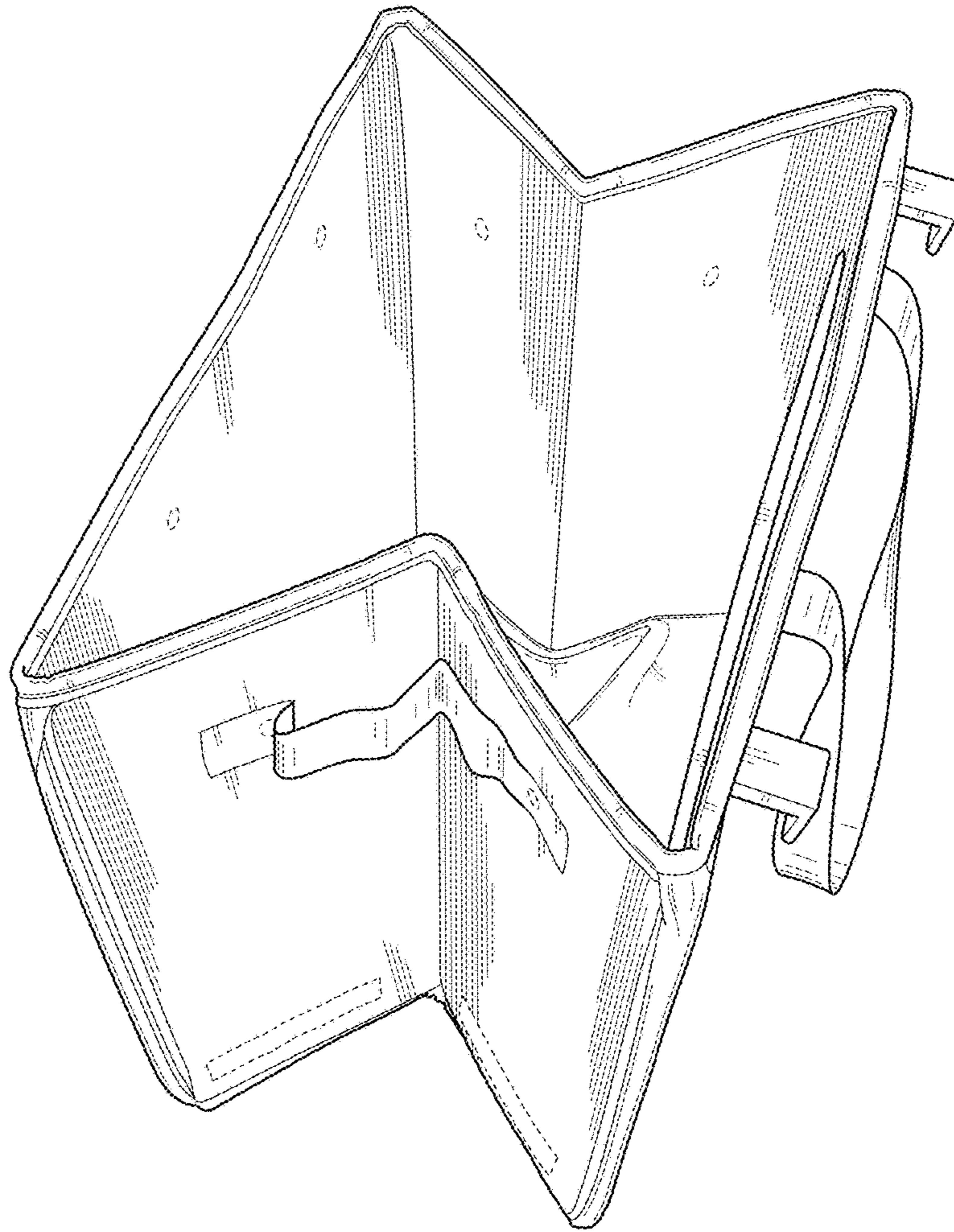


FIG. 8

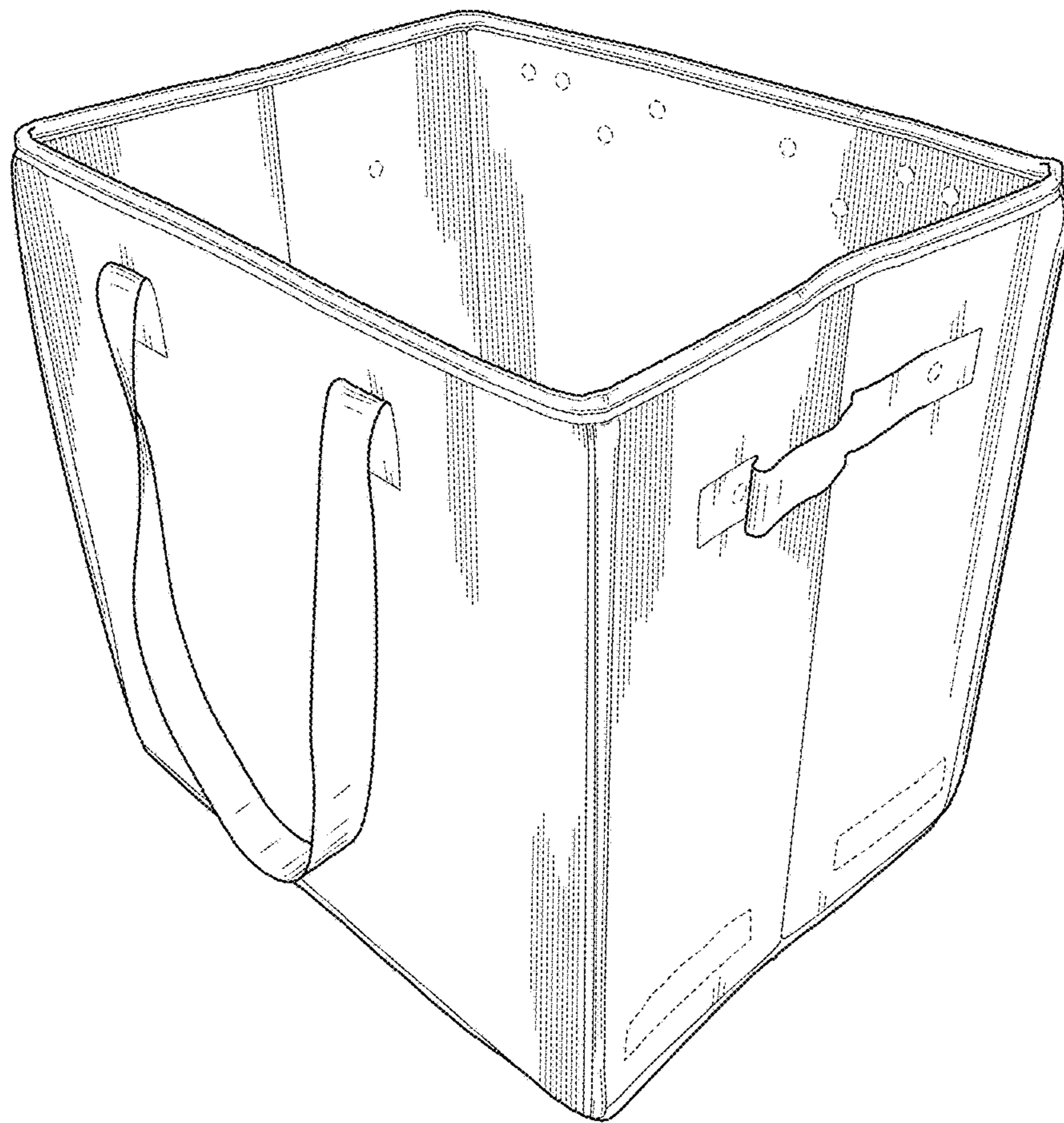


FIG. 9

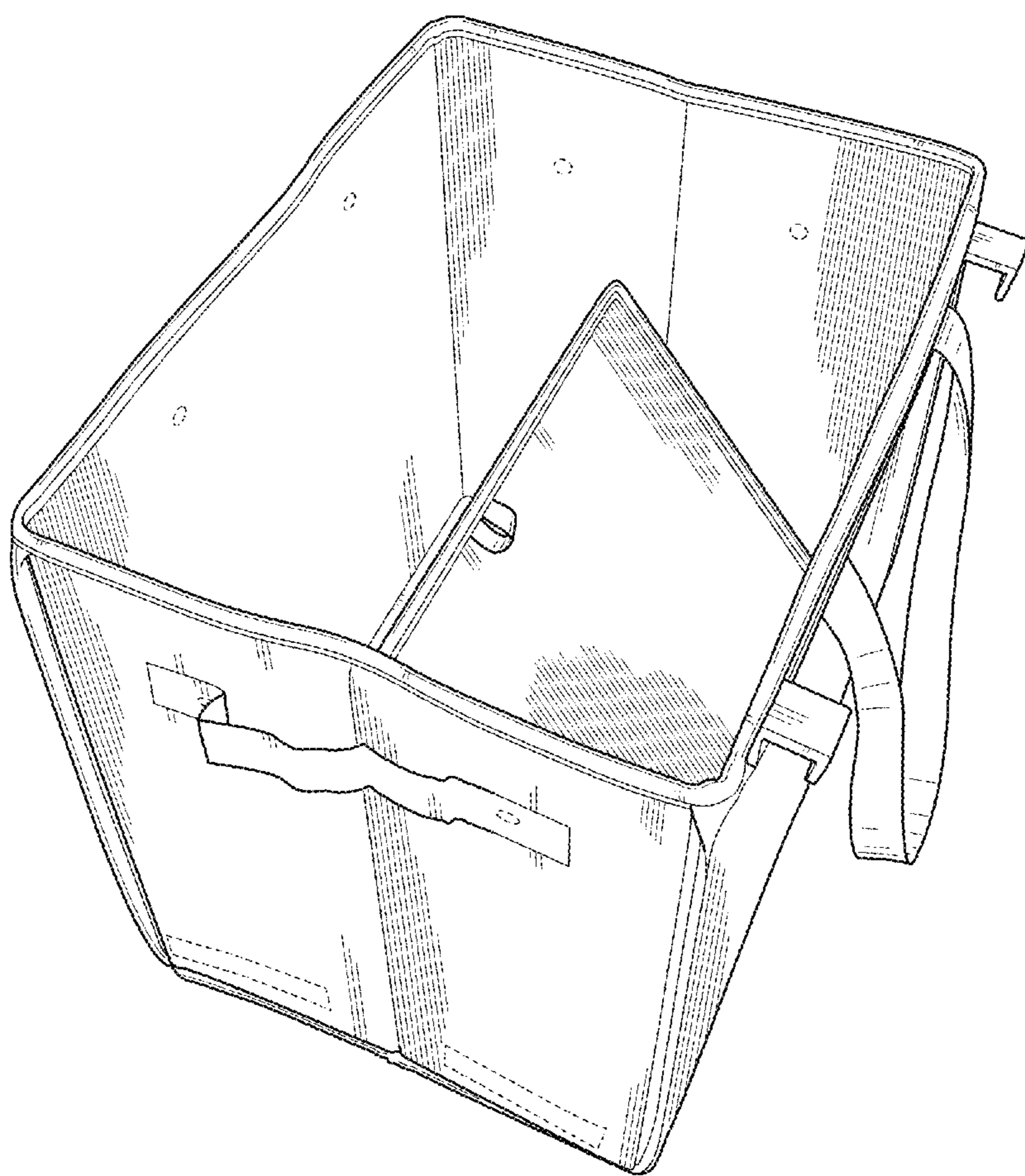


FIG. 10