



US00D845618S

(12) **United States Design Patent**
Maley

(10) **Patent No.:** **US D845,618 S**

(45) **Date of Patent:** **** Apr. 16, 2019**

(54) **FRAME FOR A BACKPACK**

(71) Applicant: **Crossfire Australia Pty Ltd,**
Braidwood NSW (AU)

(72) Inventor: **Ian Maley,** Braidwood (AU)

(73) Assignee: **CROSSFIRE AUSTRALIA PTY LTD,** Braidwood (AU)

(**) Term: **15 Years**

(21) Appl. No.: **29/607,204**

(22) Filed: **Jun. 12, 2017**

(30) **Foreign Application Priority Data**

Dec. 11, 2016 (AU) 201617003

(51) **LOC (11) Cl.** **03-01**

(52) **U.S. Cl.**
USPC **D3/216**

(58) **Field of Classification Search**
USPC D3/216, 318
CPC A45F 3/08; A45F 3/10
See application file for complete search history.

(56) **References Cited**

U.S. PATENT DOCUMENTS

D224,631 S * 8/1972 Morris D3/216
4,934,573 A * 6/1990 Jaeger A45F 3/08
224/153
6,409,429 B1 * 6/2002 Belloni A45F 3/10
224/907
7,793,809 B2 * 9/2010 Howell A45F 3/10
224/261

D624,749 S * 10/2010 Evans D3/216
D630,011 S * 1/2011 Knight D3/216
8,556,147 B2 * 10/2013 Howell A45F 3/04
224/630
8,678,258 B1 * 3/2014 Knight A45F 3/08
224/628
9,271,560 B2 * 3/2016 Buffinton A45F 3/08
9,636,875 B2 * 5/2017 Hairston B29C 70/34

* cited by examiner

Primary Examiner — Holly H Baynham

(74) *Attorney, Agent, or Firm* — Edell, Shapiro & Finnan, LLC

(57) **CLAIM**

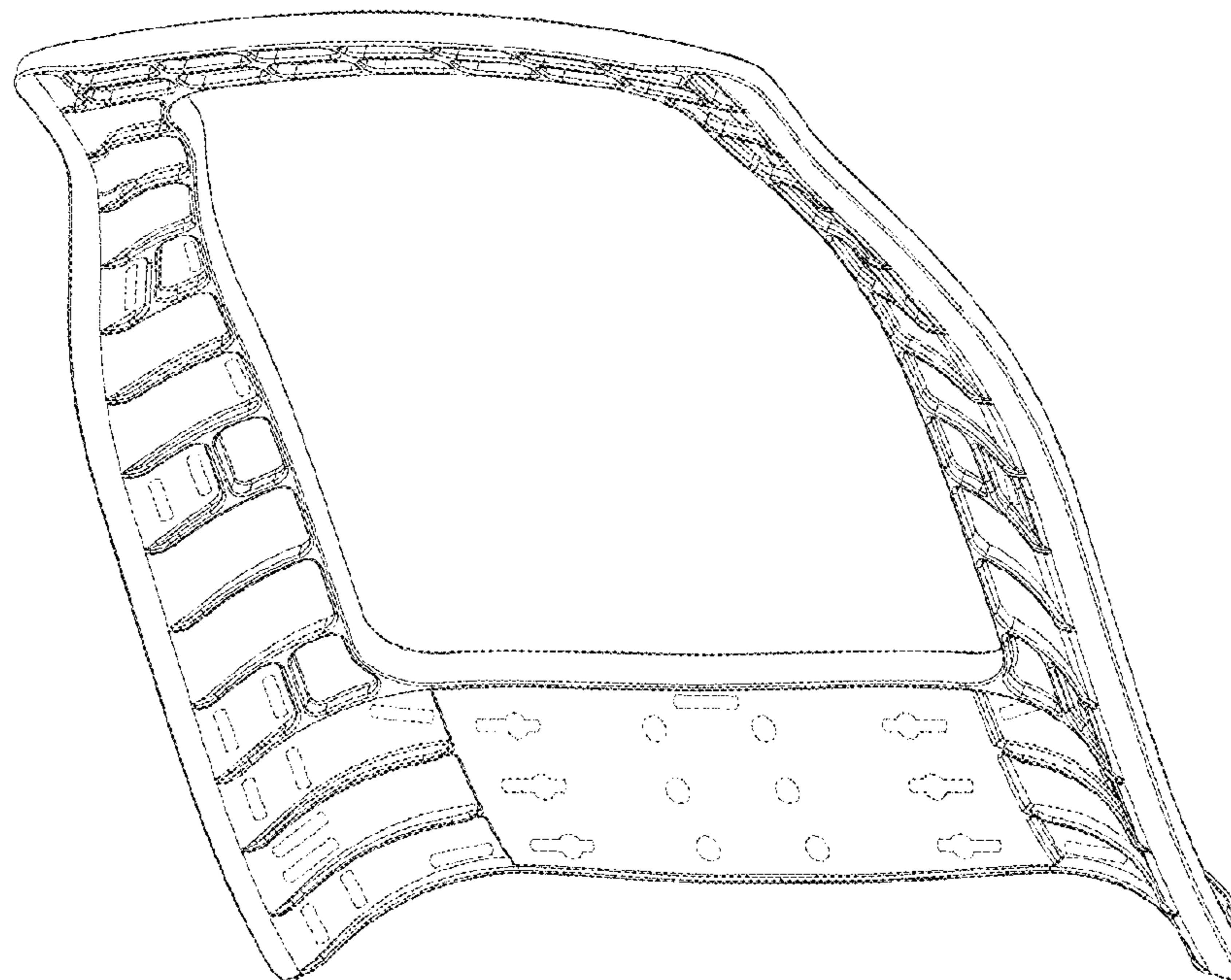
The ornamental design for a frame for a backpack, as shown and described.

DESCRIPTION

FIG. 1 is a view in perspective of a frame for a backpack showing my new design;
FIG. 2 is a front view thereof;
FIG. 3 is a left side view thereof;
FIG. 4 is a rear view thereof;
FIG. 5 is a right side view thereof;
FIG. 6 is a bottom view thereof; and,
FIG. 7 is a top view thereof.

The broken line illustration in the drawings is for the purpose of depicting unclaimed portions of the frame for a backpack. The broken lines and portions they depict form no part of the claimed design.

1 Claim, 2 Drawing Sheets



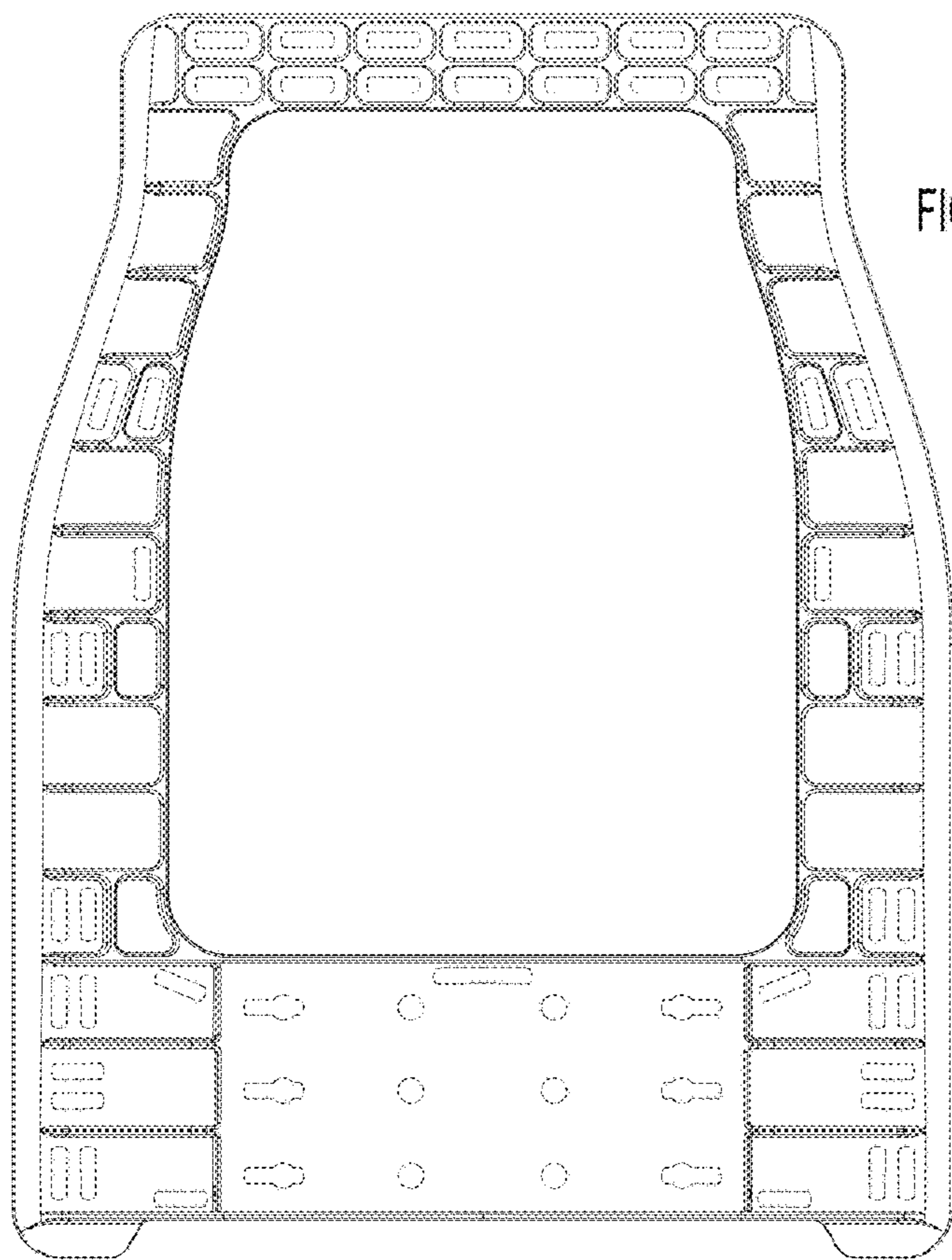
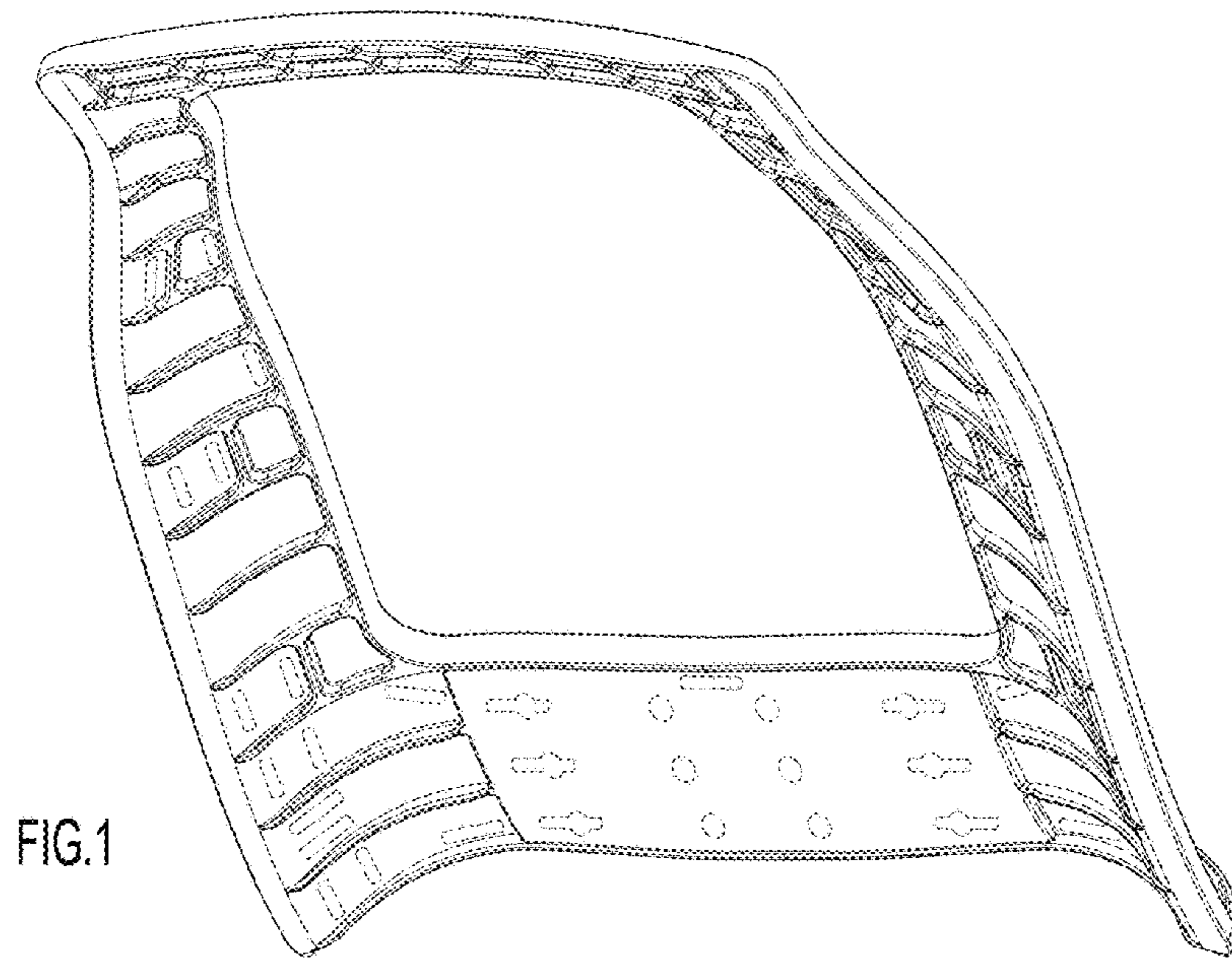


FIG. 2

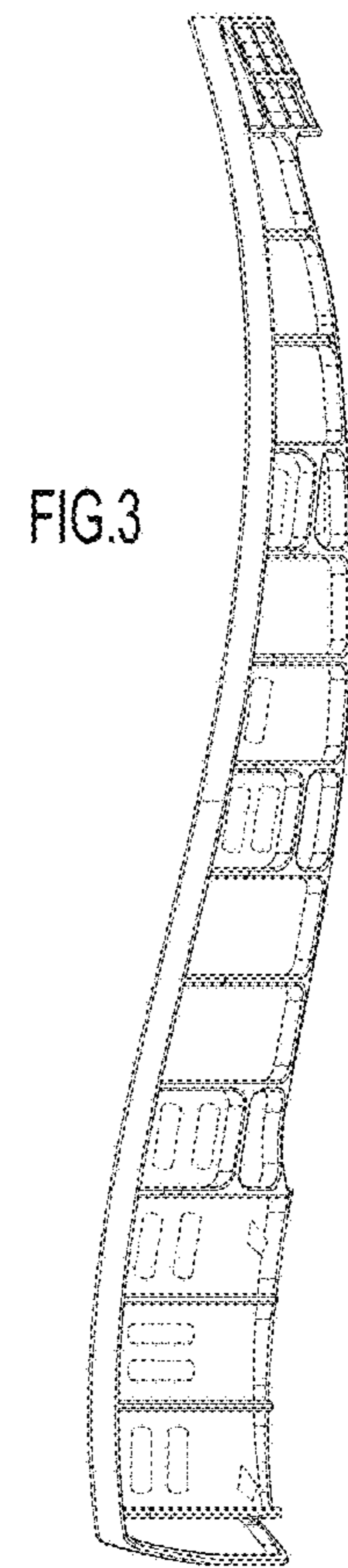


FIG. 3

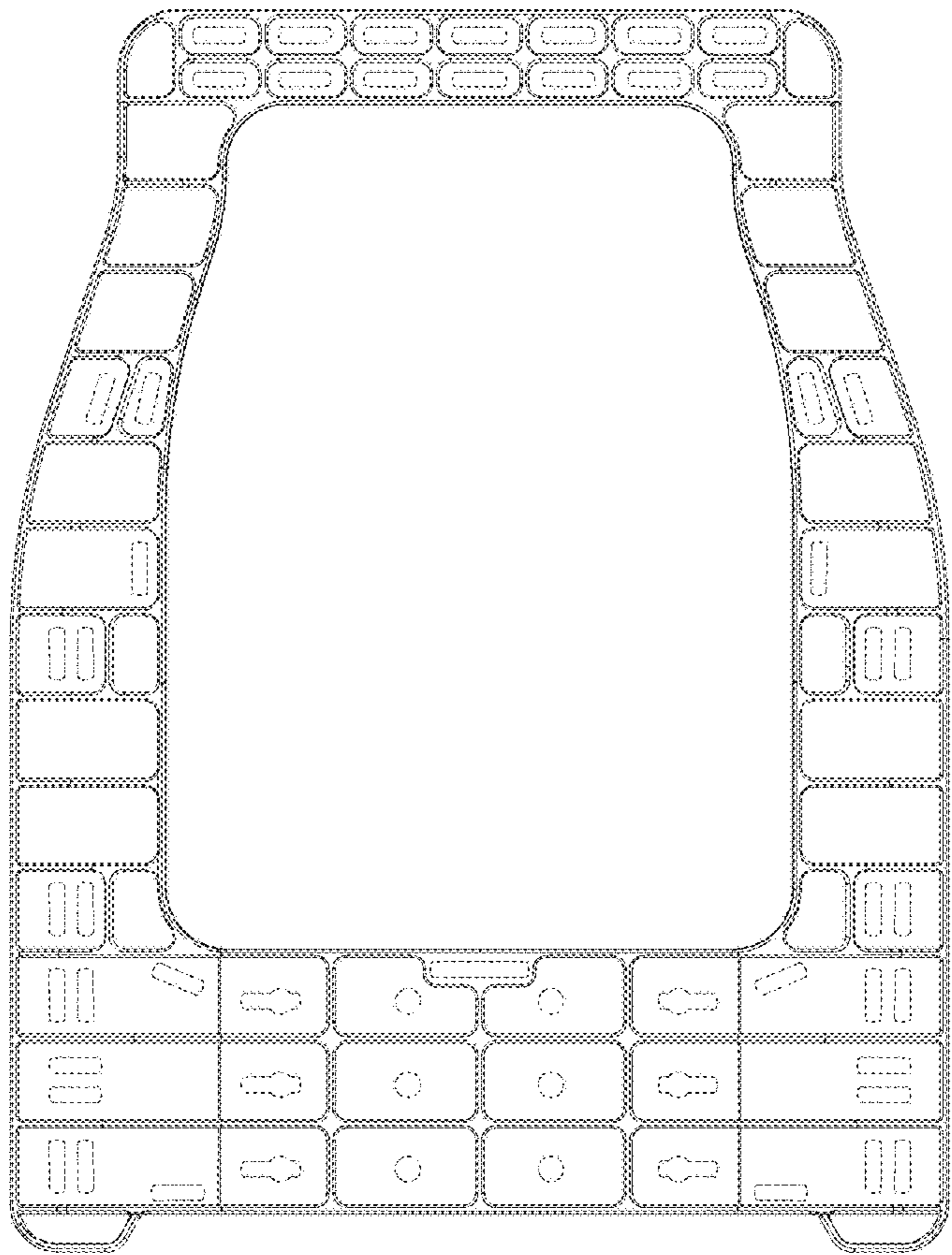


FIG.4

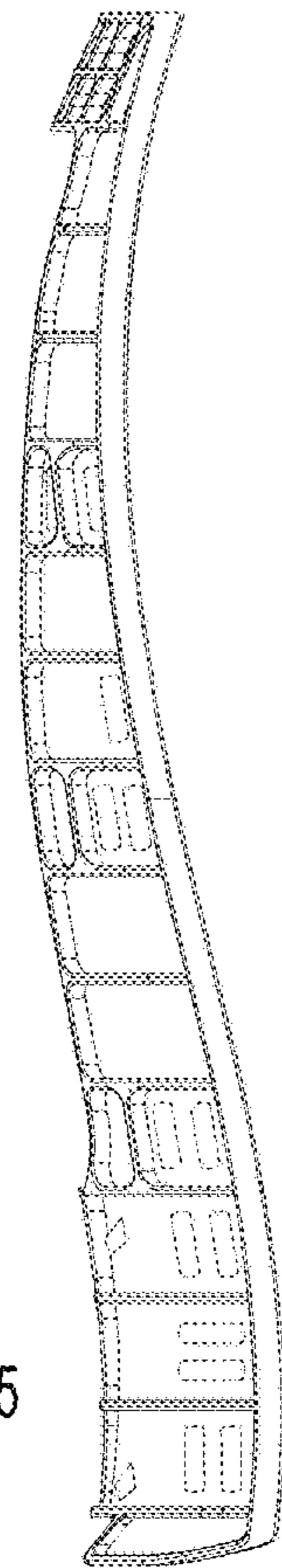


FIG.5

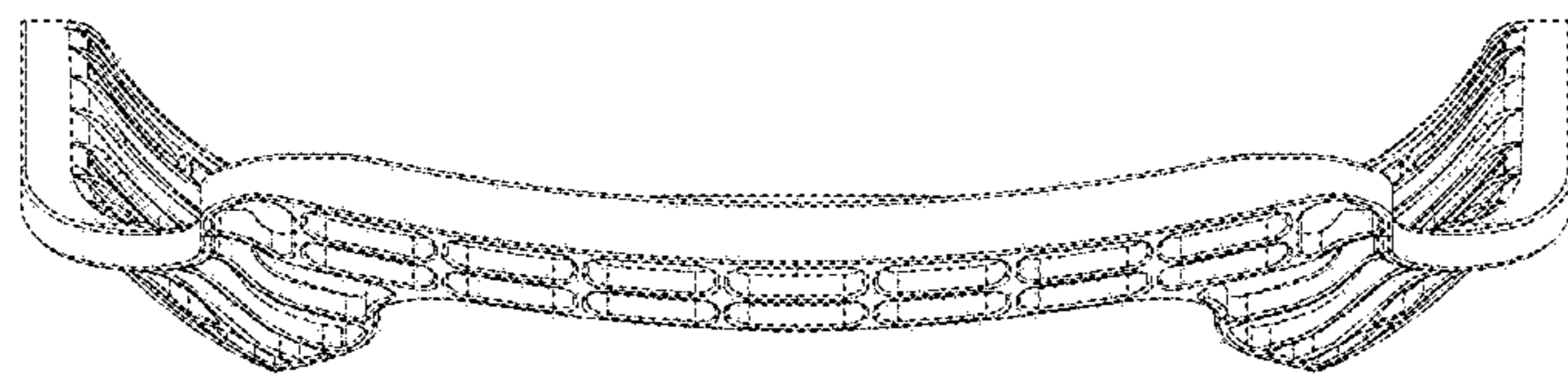


FIG.6

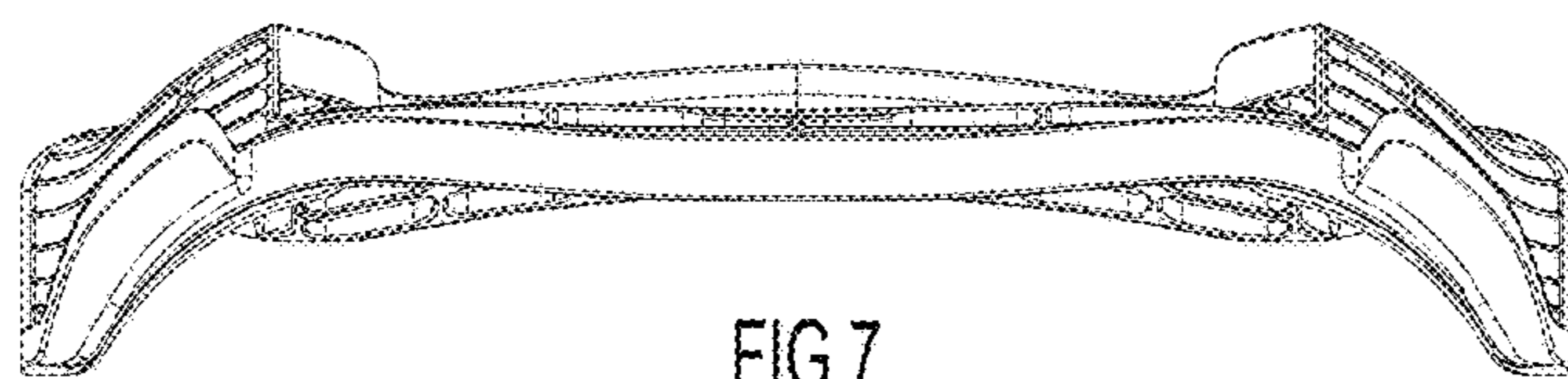


FIG.7