



US00D845617S

(12) **United States Design Patent**
Dandachli

(10) **Patent No.:** **US D845,617 S**

(45) **Date of Patent:** **** Apr. 16, 2019**

(54) **KEYCHAIN DEVICE**

(71) Applicant: **Boostnatics, LLC**, Austin, TX (US)

(72) Inventor: **Youssef Dandachli**, Austin, TX (US)

(73) Assignee: **Boostnatics, LLC**, Austin, TX (US)

(**) Term: **15 Years**

(21) Appl. No.: **29/572,335**

(22) Filed: **Jul. 27, 2016**

(51) **LOC (11) Cl.** **03-01**

(52) **U.S. Cl.**

USPC **D3/207**

(58) **Field of Classification Search**

USPC D3/207-212; 70/456 B, 457, 458, 408,
70/456 R; D13/168; D8/347; D10/104;
D14/496, 411, 484.1; 206/37.1;
D21/604, 605, 656, 658, 659; 24/3.6;
D11/11, 79, 81, 82, 87

CPC H04B 1/034; F04B 15/00; E05B 19/00;
E05B 19/04; A44B 15/00; A44B 15/002;
A44B 15/005; A44B 15/007

See application file for complete search history.

(56) **References Cited**

U.S. PATENT DOCUMENTS

D242,395 S * 11/1976 Bellin D3/207
D416,131 S * 11/1999 Dafski D3/211

D440,399 S * 4/2001 DeRouen D3/211
D485,058 S * 1/2004 Shiu D3/209
D560,352 S * 1/2008 Cadiz D3/208
D570,597 S * 6/2008 Klein D14/484.1
D722,763 S * 2/2015 Dandachli D14/435.1
D727,015 S * 4/2015 Arrindell D14/435.1

* cited by examiner

Primary Examiner — Ralf Seifert

(74) *Attorney, Agent, or Firm* — Pierson IP, PLLC

(57) **CLAIM**

The ornamental design for a keychain device, as shown and described.

DESCRIPTION

FIG. 1 is a perspective view of a keychain device showing our new design thereof;
FIG. 2 is a top view of the keychain device shown in FIG. 1;
FIG. 3 is a bottom side view of the keychain device shown in FIG. 1;
FIG. 4 is a first side view of the keychain device shown in FIG. 1;
FIG. 5 is a second side view of the keychain device shown in FIG. 1;
FIG. 6 is a front view of the keychain device shown in FIG. 1; and,
FIG. 7 is a rear view of the keychain device shown in FIG. 1.
Elements shown in broken lines show environmental structures of the keychain device and form no part of our design.

1 Claim, 5 Drawing Sheets

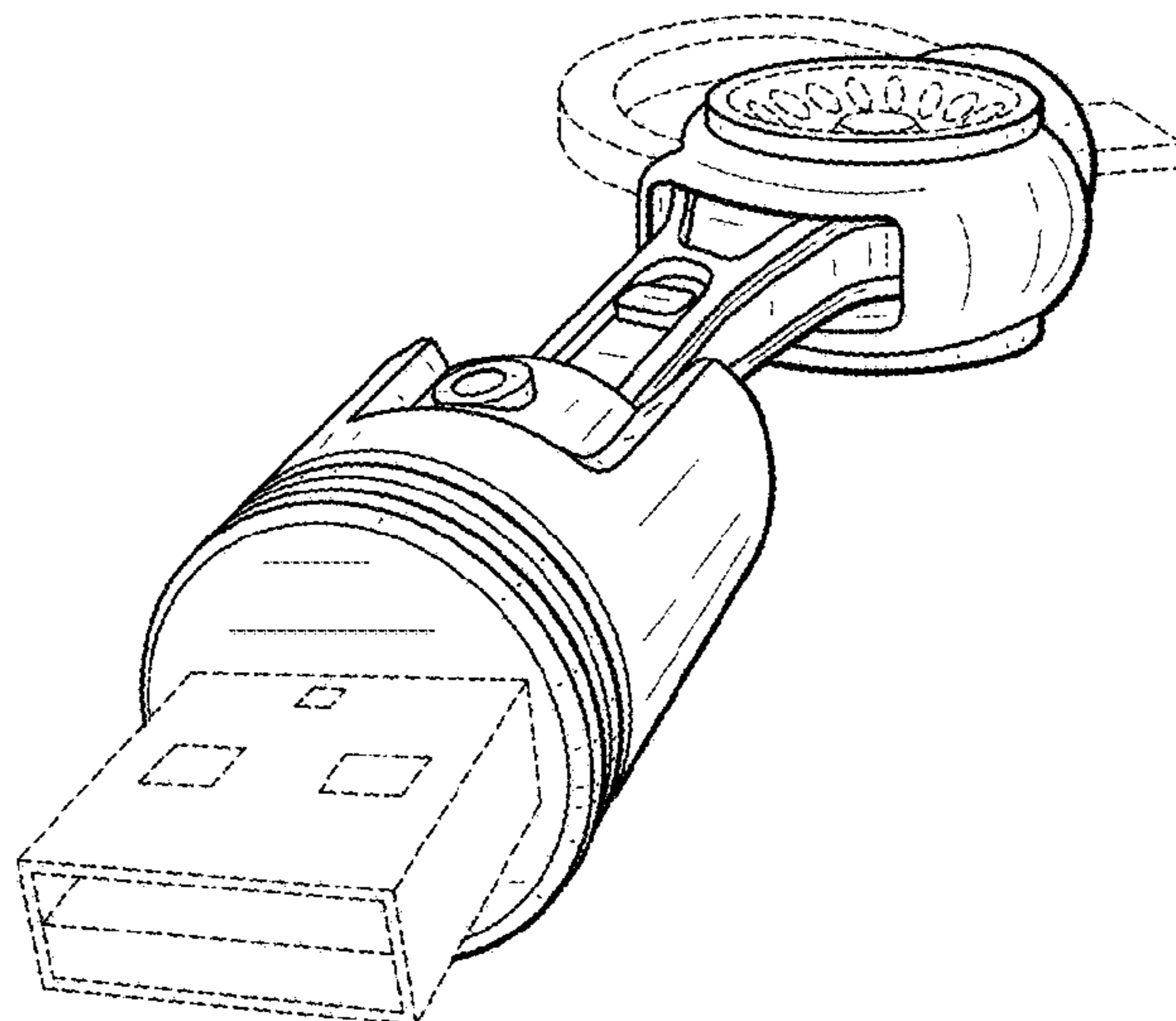


FIG. 1

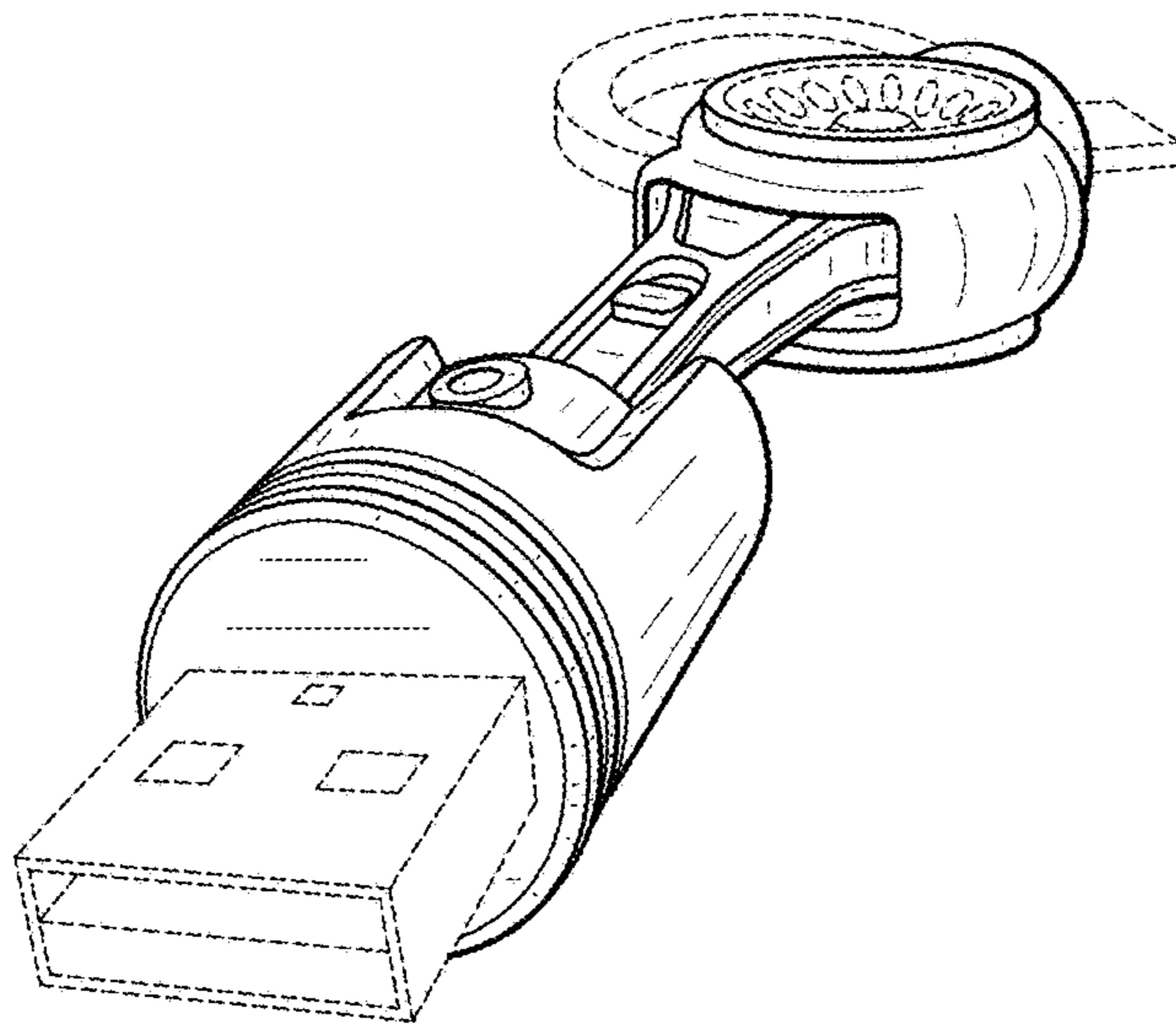


FIG. 2

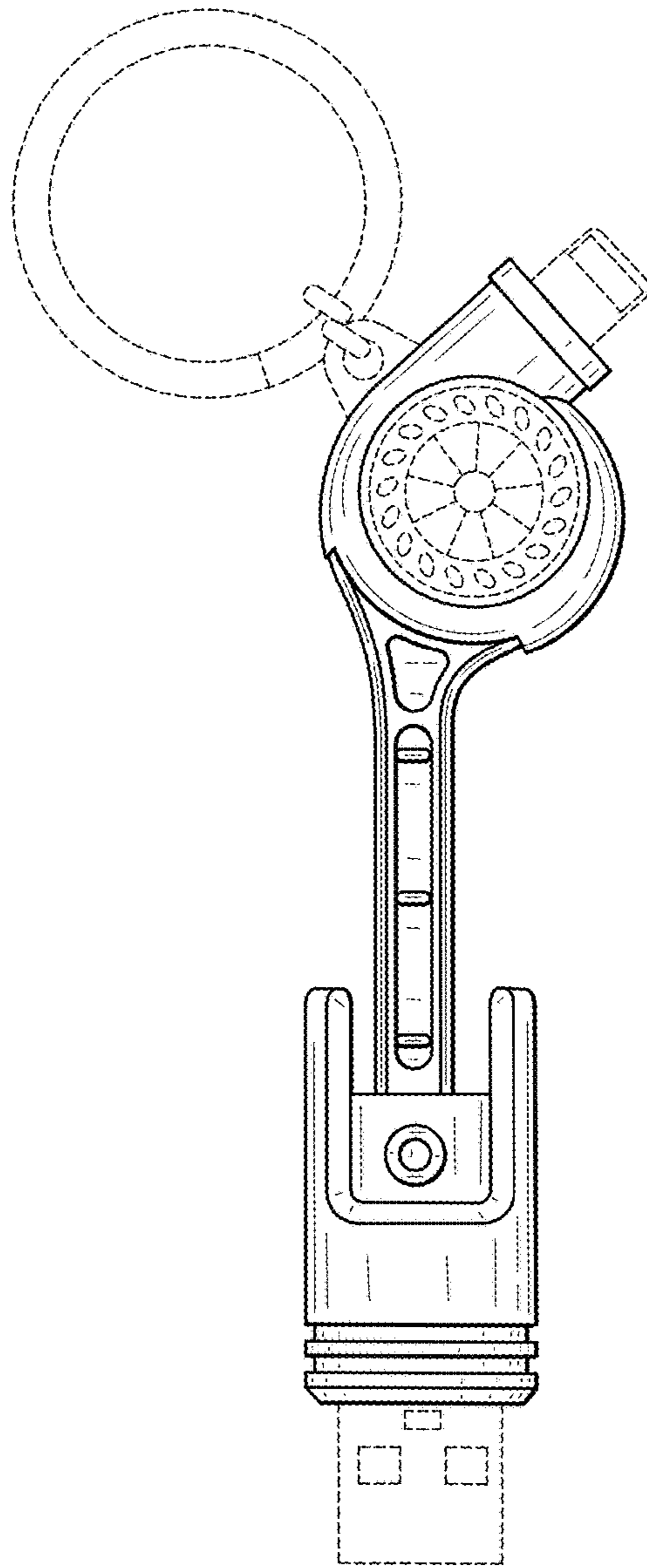


FIG. 3

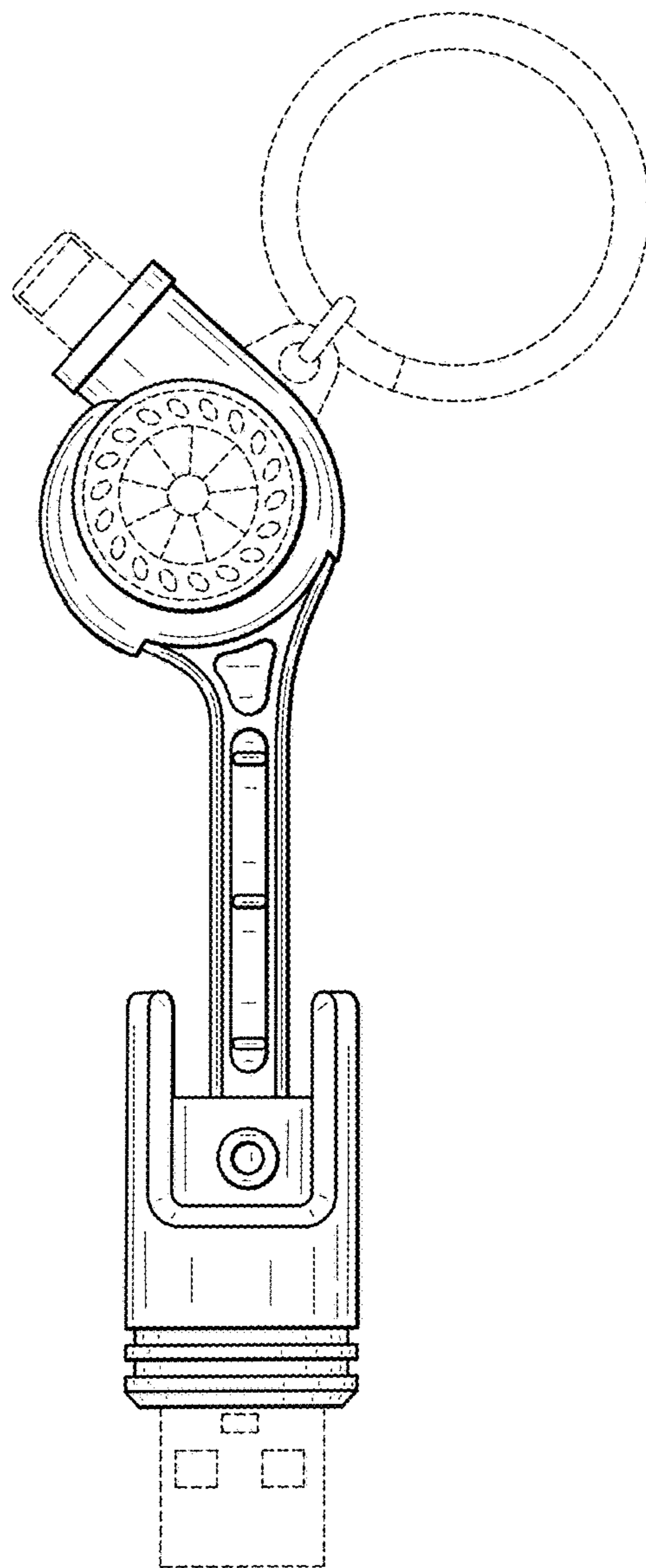


FIG. 4

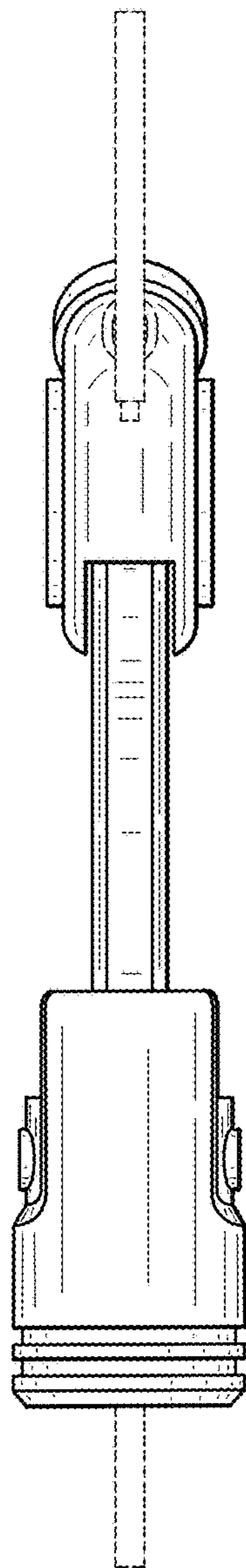


FIG. 5

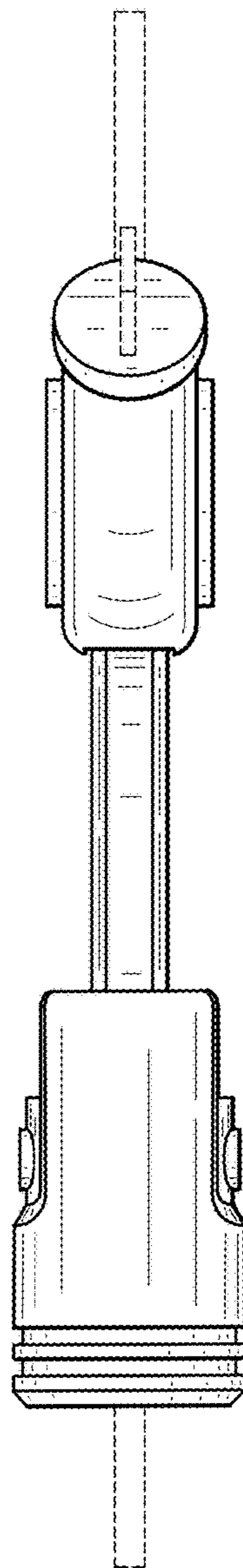


FIG. 6

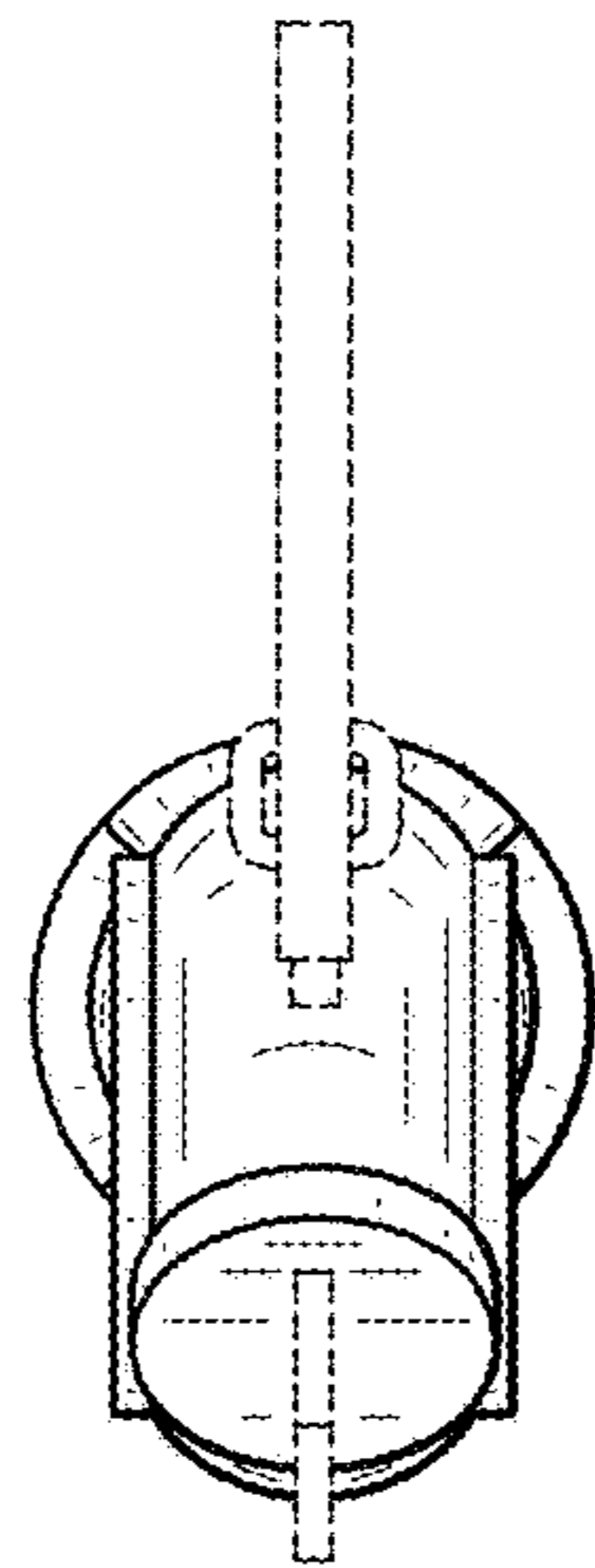


FIG. 7

