



US00D845615S

(12) **United States Design Patent** (10) **Patent No.:** **US D845,615 S**
Mehregany et al. (45) **Date of Patent:** **** *Apr. 16, 2019**

(54) **PILL DISPENSER**
(71) Applicant: **QuantaEd, LLC**, San Diego, CA (US)
(72) Inventors: **Mehran Mehregany**, San Diego, CA (US); **Donald Murray Learmonth**, San Diego, CA (US); **Oliver Ian Yates**, Kent (GB)
(73) Assignee: **QuantaEd, LLC**, San Diego
(*) Notice: This patent is subject to a terminal disclaimer.
(**) Term: **15 Years**
(21) Appl. No.: **29/614,049**
(22) Filed: **Aug. 15, 2017**
(51) **LOC (11) Cl.** **03-03**
(52) **U.S. Cl.**
USPC **D3/203.3**
(58) **Field of Classification Search**
USPC D3/201, 203.1–203.8, 205, 206; D9/420, D9/421, 426, 756–760
CPC A61J 1/03; A61J 1/035; A61J 2200/30; A61J 2205/70; B65D 75/327; B65D 83/0445
See application file for complete search history.

(56) **References Cited**
U.S. PATENT DOCUMENTS
D257,584 S * 12/1980 Finkel 206/528
D275,833 S * 10/1984 Malpass D3/203.3
D305,960 S * 2/1990 Wolff D24/232
D324,819 S * 3/1992 Eisenberg D24/229
D339,742 S * 9/1993 Walchek, Jr. D3/203.3
D358,546 S * 5/1995 Walchek, Jr. D3/203.3
D358,762 S * 5/1995 Walchek, Jr. D3/203.3
D398,521 S * 9/1998 Coe D3/203.3
D460,690 S * 7/2002 Doerschlag D3/203.2
D514,308 S * 2/2006 Wahl D3/203.2

D516,801 S * 3/2006 Jones, III D3/203.2
D541,039 S * 4/2007 Stugelmeyer D3/203.3
D585,638 S * 2/2009 Skedelius D3/203.2
D593,316 S * 6/2009 Ruwiel D3/203.2
D606,393 S * 12/2009 Easterbrook D3/203.2
D612,594 S * 3/2010 Wade D3/203.2
D622,499 S * 8/2010 Sprada D3/203.2
D640,920 S * 7/2011 Giraud D3/203.2
D663,110 S * 7/2012 Marwah D3/203.2
D663,112 S * 7/2012 Fulmer Mason D3/203.3
D665,571 S * 8/2012 Tello B42D 25/22
D3/203.2
D673,360 S * 1/2013 Denzinger D3/203.2
D679,086 S * 4/2013 Liguori D3/203.3
D693,999 S * 11/2013 Alexander D3/203.2
D716,868 S * 11/2014 Jansen D19/33
D719,216 S * 12/2014 Jansen D19/33

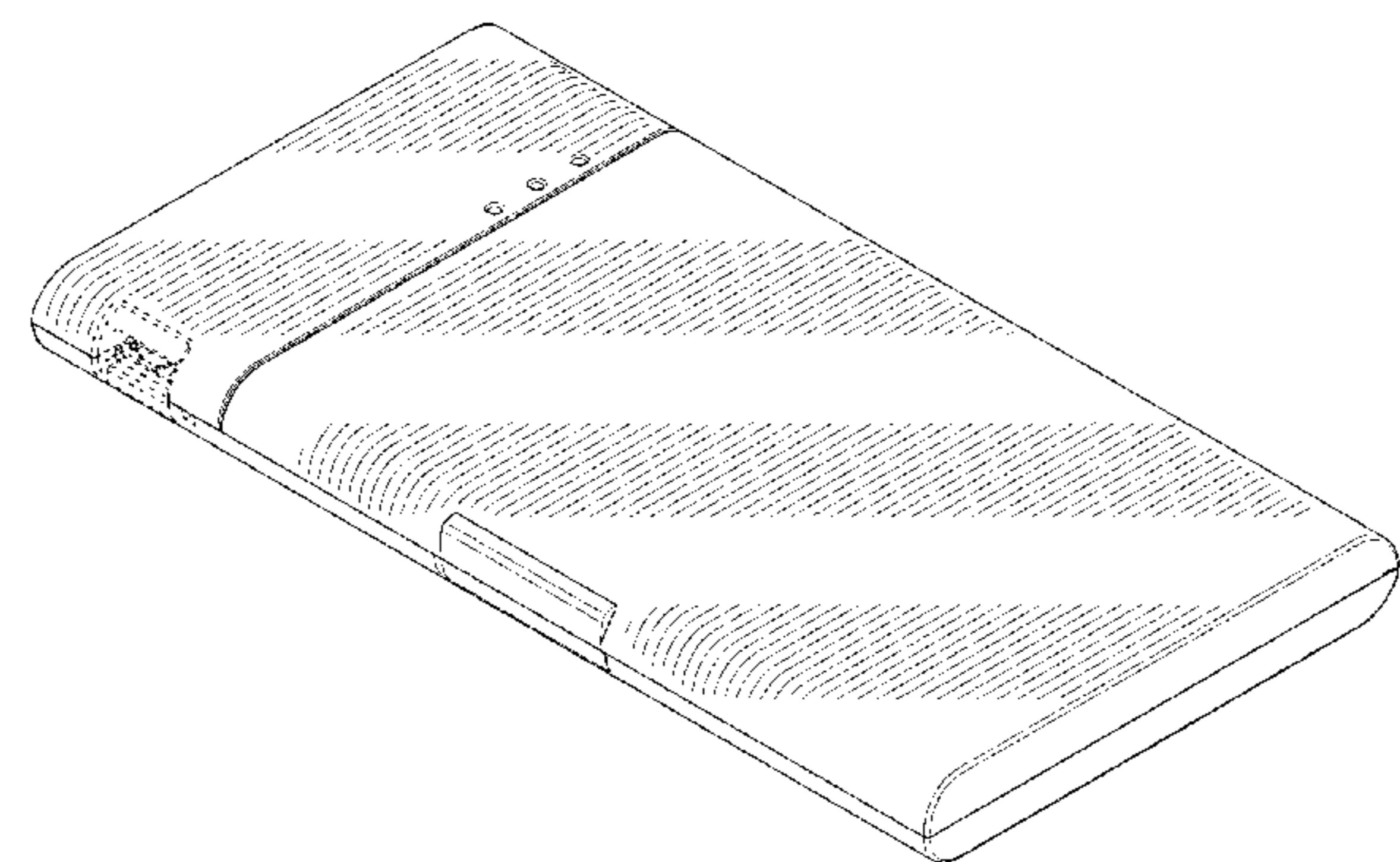
(Continued)

Primary Examiner — John Windmuller
Assistant Examiner — Steven J Czyz
(74) *Attorney, Agent, or Firm* — Kaplan Breyer Schwarz, LLP

(57) **CLAIM**
The ornamental design for a pill dispenser, as shown and described.

DESCRIPTION
FIG. 1 is a top front perspective view of a pill dispenser showing our new design;
FIG. 2 is a bottom front perspective view thereof;
FIG. 3 is a front elevation view thereof;
FIG. 4 is a rear elevation view thereof;
FIG. 5 is a left side elevation view thereof;
FIG. 6 is a right side elevation view thereof;
FIG. 7 is a top side elevation view thereof; and,
FIG. 8 is a bottom side elevation view thereof.
The broken lines depict portions of the article that form no part of the claimed design.

1 Claim, 6 Drawing Sheets



(56)

References Cited

U.S. PATENT DOCUMENTS

D787,812 S * 5/2017 Ganesan D3/203.3
2018/0044060 A1* 2/2018 Leahy B65D 25/10

* cited by examiner

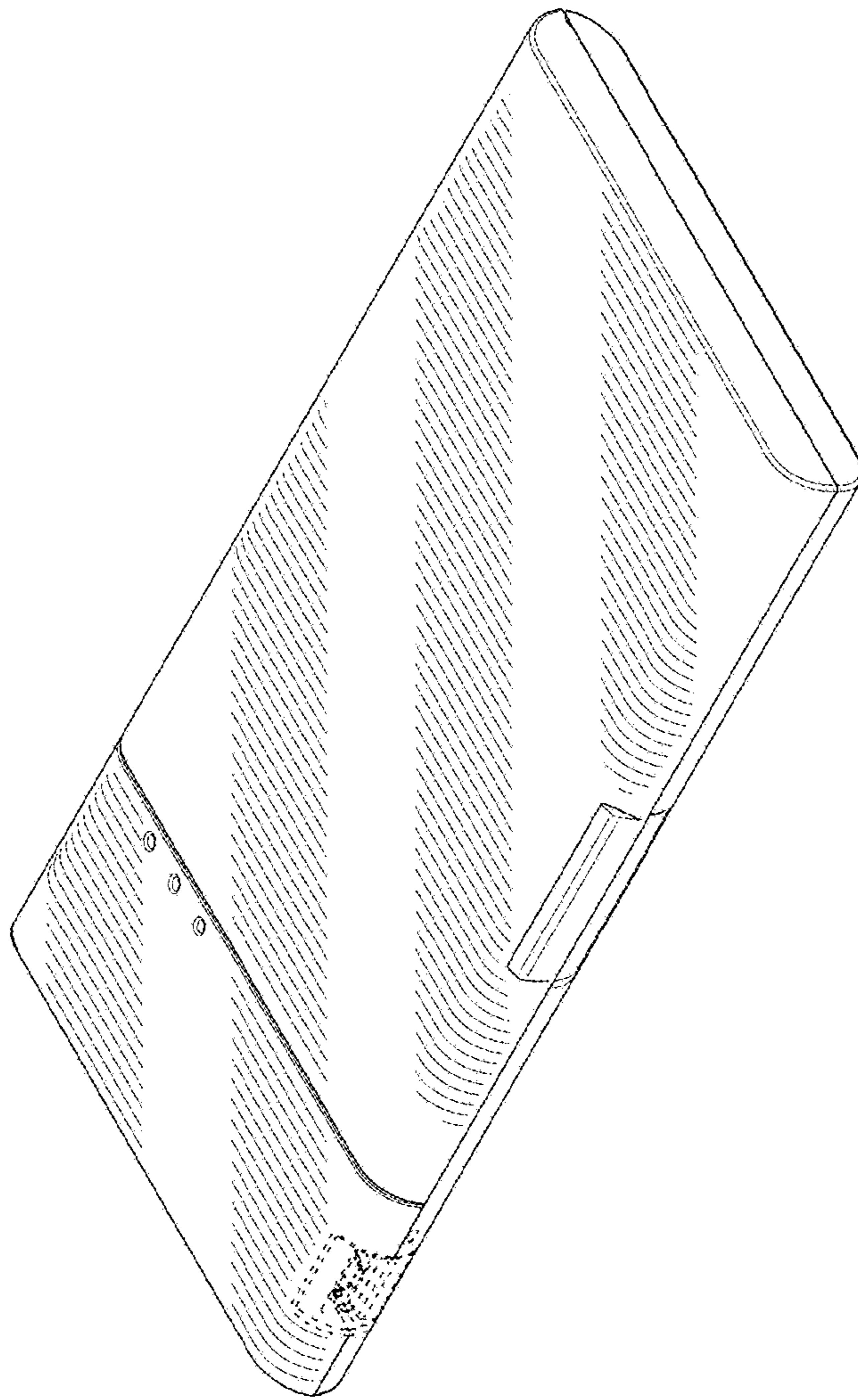


FIG. 1

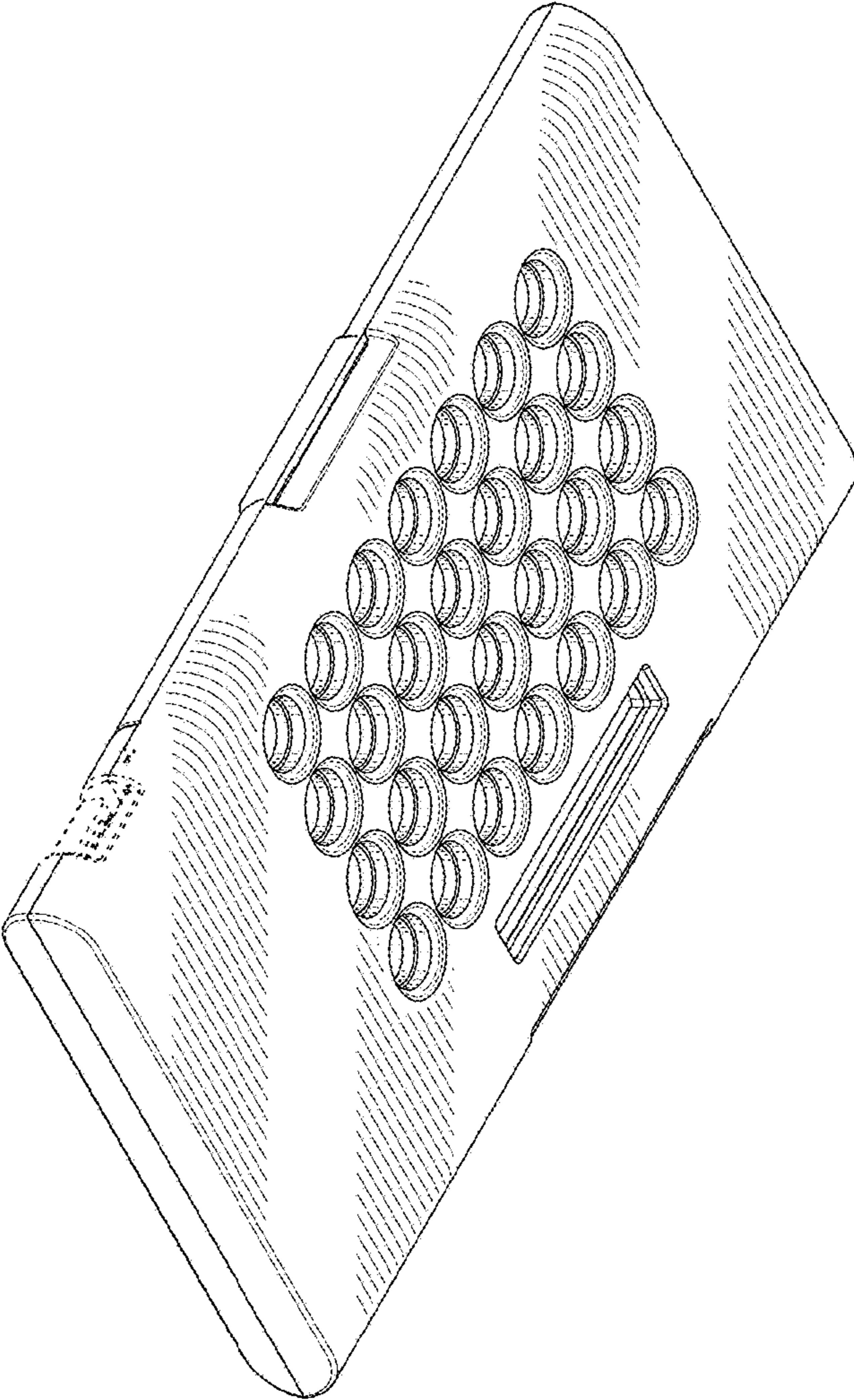


FIG. 2

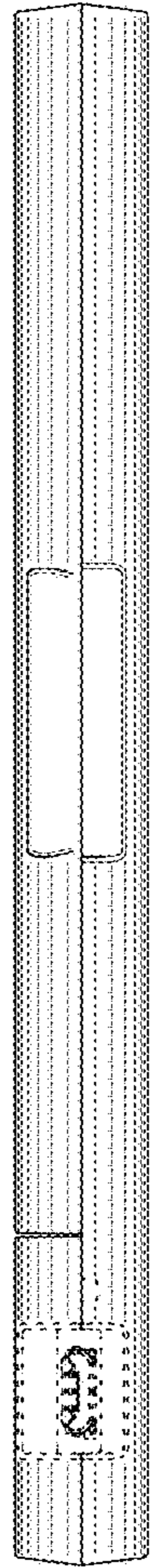


FIG. 3



FIG. 4

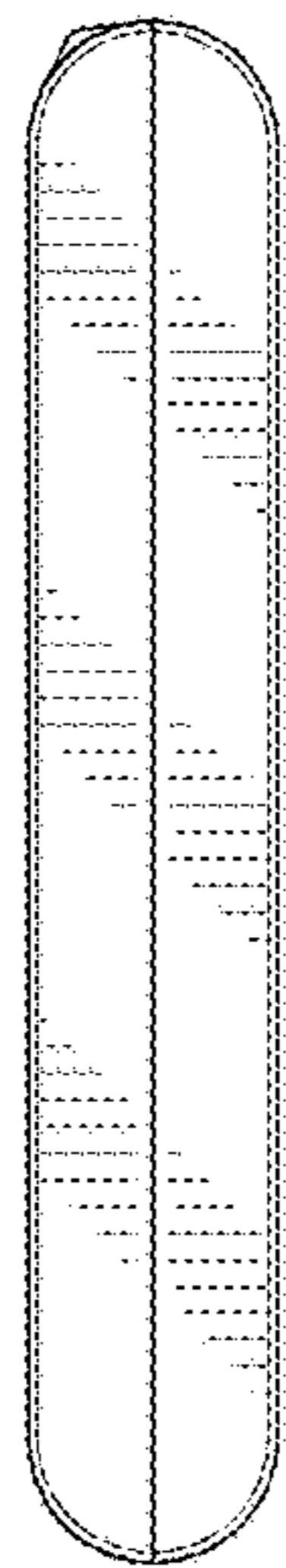


FIG. 5

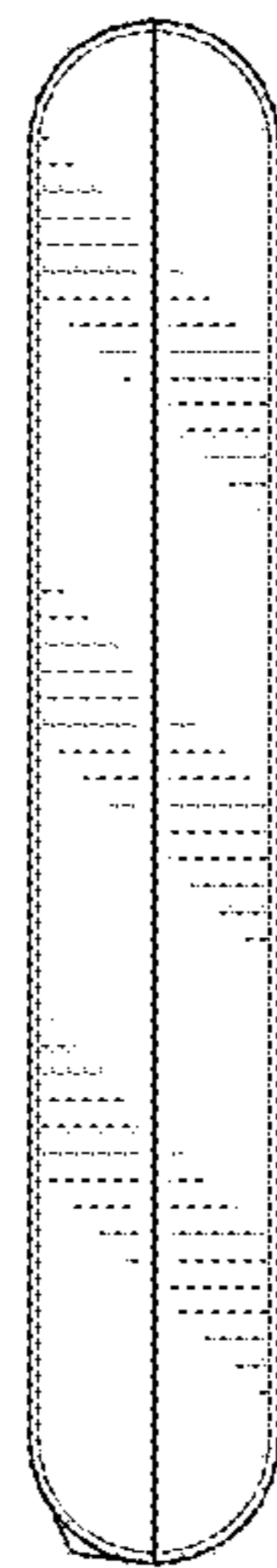


FIG. 6

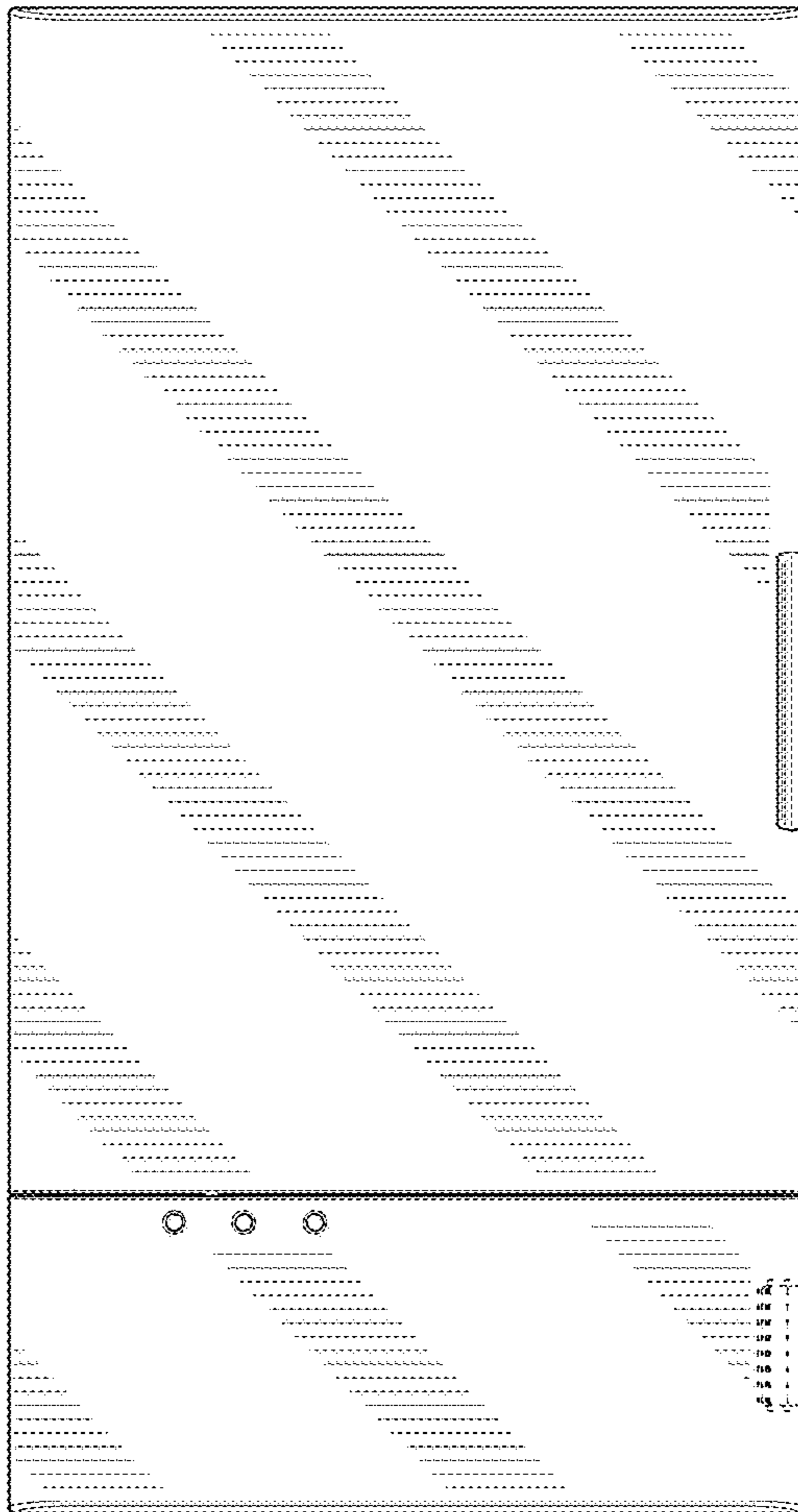


FIG. 7

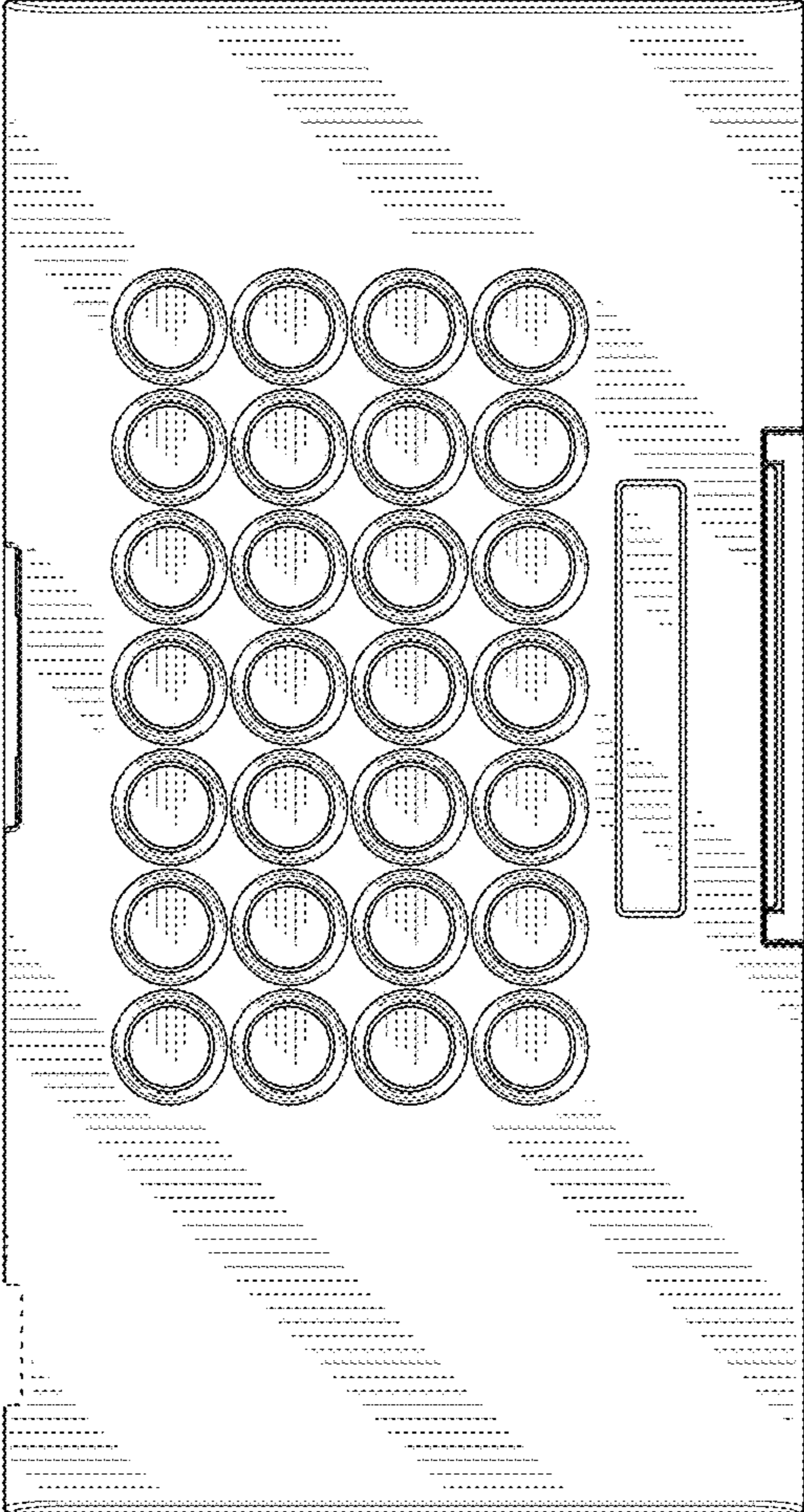


FIG. 8