



US00D845614S

(12) **United States Design Patent** (10) **Patent No.:** **US D845,614 S**
Decker (45) **Date of Patent:** **** Apr. 16, 2019**

(54) **MEDICAL EQUIPMENT BAG**

OTHER PUBLICATIONS

(71) Applicant: **Meret**, Santa Ana, CA (US)
(72) Inventor: **Scott M. Decker**, Santa Ana, CA (US)
(73) Assignee: **Meret**, Santa Ana, CA (US)
(**) Term: **15 Years**
(21) Appl. No.: **29/613,076**

Meret, OMNI™ Pro BLS/ALS Total System (TS2 Ready™), Apr. 16, 2016 capture, retrieved from Internet Archive at <http://web.archive.org/web/20160416013627/http://meretusa.com/product.php?product_id=834> on Sep. 6, 2018, 5 pages.

Primary Examiner — John Windmuller
Assistant Examiner — Steven J Czyz
(74) *Attorney, Agent, or Firm* — Alston & Bird LLP

(22) Filed: **Aug. 7, 2017**
(51) **LOC (11) Cl.** **03-01**
(52) **U.S. Cl.**
USPC **D3/203.1**
(58) **Field of Classification Search**
USPC D3/201, 203.1, 203.6, 203.7, 216, 217,
D3/267, 285, 287, 289, 301
CPC A61B 17/48; A45C 3/00; A45C 2003/008;
A45C 5/00; A45C 7/009; A45F 3/04
See application file for complete search history.

(57) **CLAIM**

The ornamental design for a medical equipment bag, as shown and described.

DESCRIPTION

FIG. 1 is a front-left perspective view of a medical equipment bag, shown with the flaps and straps not exposed; FIG. 2 is a front view thereof; FIG. 3 is a back view thereof; FIG. 4 is a left side view thereof; FIG. 5 is a right side view thereof; FIG. 6 is a top view thereof; FIG. 7 is a bottom view thereof; FIG. 8 is a rear-right perspective view thereof; FIG. 9 is a front-right perspective view thereof; FIG. 10 is a front-left perspective view of the medical equipment bag, shown with the flaps and straps exposed; FIG. 11 is a front view thereof; FIG. 12 is a back view thereof; FIG. 13 is a left side view thereof; FIG. 14 is a right side view thereof; FIG. 15 is a top view thereof; FIG. 16 is a bottom view thereof; FIG. 17 is a rear-right perspective view thereof; and, FIG. 18 is a front-right perspective view thereof. The broken lines depict portions of the article that form no part of the claimed design.

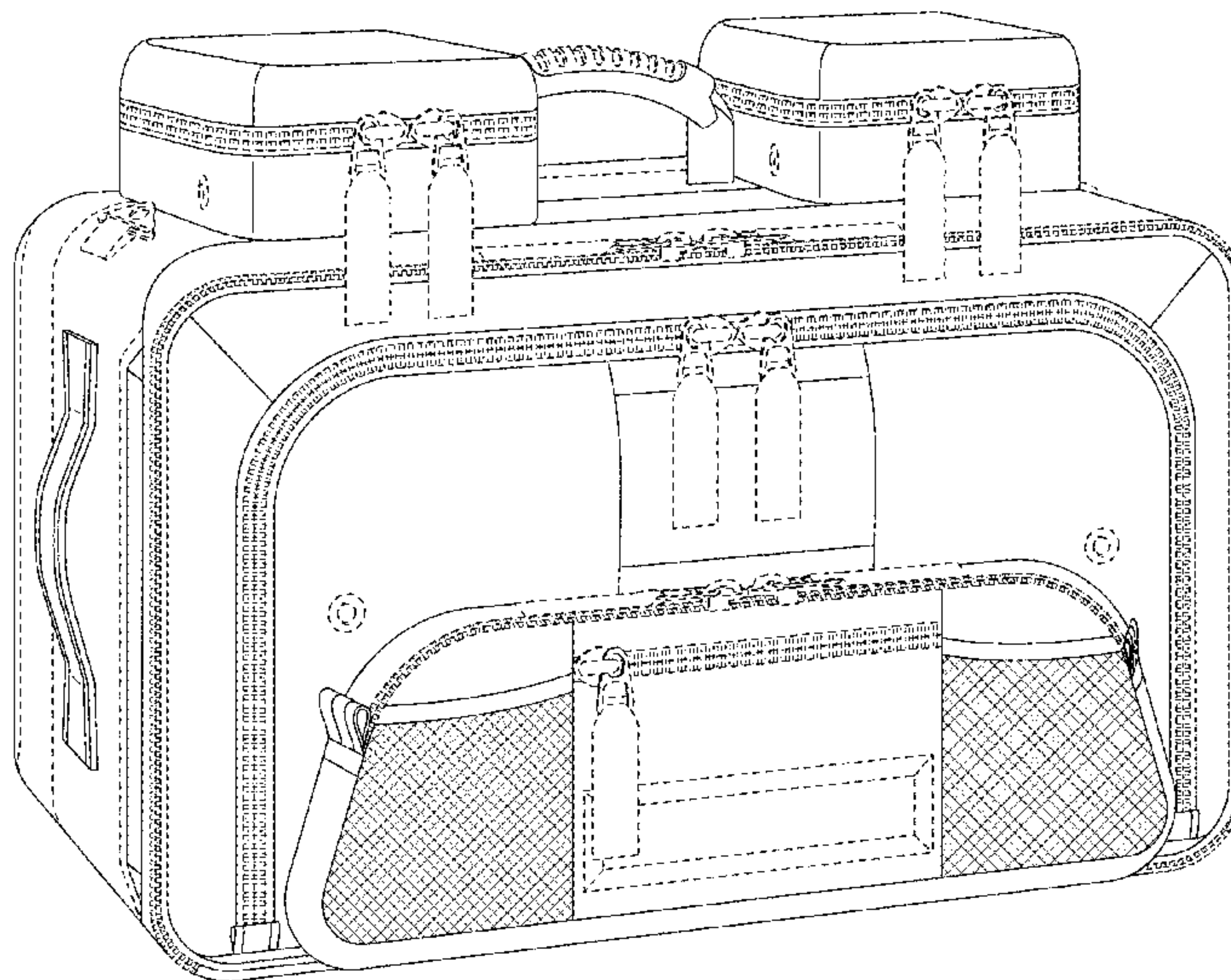
(56) **References Cited**

U.S. PATENT DOCUMENTS

2,324,194	A *	7/1943	Campiglia	A61F 17/00 206/570
3,019,952	A *	2/1962	Brewster	A45C 3/00 224/153
D278,190	S *	4/1985	Ganz	D3/285
4,513,866	A *	4/1985	Thomas	A45C 9/00 190/110
D305,798	S *	1/1990	Say	D3/203.6
D411,664	S *	6/1999	Latshaw	D3/201
D412,787	S *	8/1999	Young	D3/217
D466,293	S *	12/2002	Murdoch	D3/263
D467,074	S *	12/2002	Hillman	D3/263
D472,378	S *	4/2003	Hassett	D3/263
D472,380	S *	4/2003	Hillman	D3/263
D477,910	S *	8/2003	Murdoch	D3/267
D481,204	S *	10/2003	Rada	D3/279
D482,525	S *	11/2003	Fair	D3/263

(Continued)

1 Claim, 18 Drawing Sheets



(56)

References Cited

U.S. PATENT DOCUMENTS

D482,842 S * 12/2003 Fair D3/263
6,712,249 B2 * 3/2004 Magnusson H04R 5/023
224/153
D490,242 S * 5/2004 Hassett D3/267
D500,594 S * 1/2005 Zapata D3/219
D538,528 S * 3/2007 Dawson D3/203.1
D542,031 S * 5/2007 Zapata D3/263
D546,552 S * 7/2007 Dawson D3/203.1
D598,191 S * 8/2009 Tang D3/203.1
D614,859 S * 5/2010 Hansen D3/203.7
D645,662 S * 9/2011 Perez D3/216
D662,316 S * 6/2012 Nitkin D3/217
D759,370 S * 6/2016 Godzich D3/216
D767,877 S * 10/2016 Halko D3/203.1
D796,841 S * 9/2017 Schartle D3/285
D800,443 S * 10/2017 Burton D3/203.1
D800,444 S * 10/2017 Burton D3/203.1
D819,327 S * 6/2018 Jusic D3/217

* cited by examiner

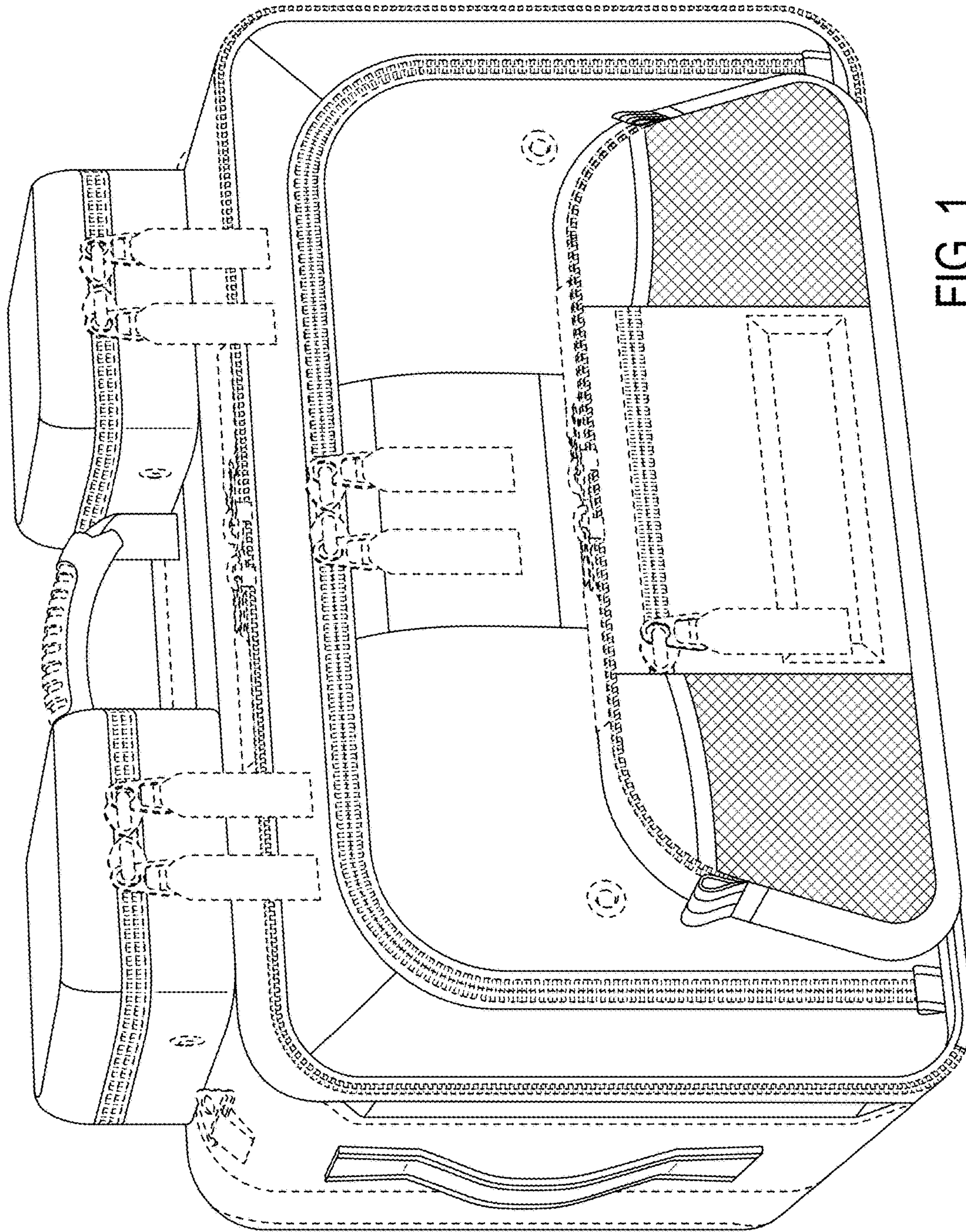


FIG. 1

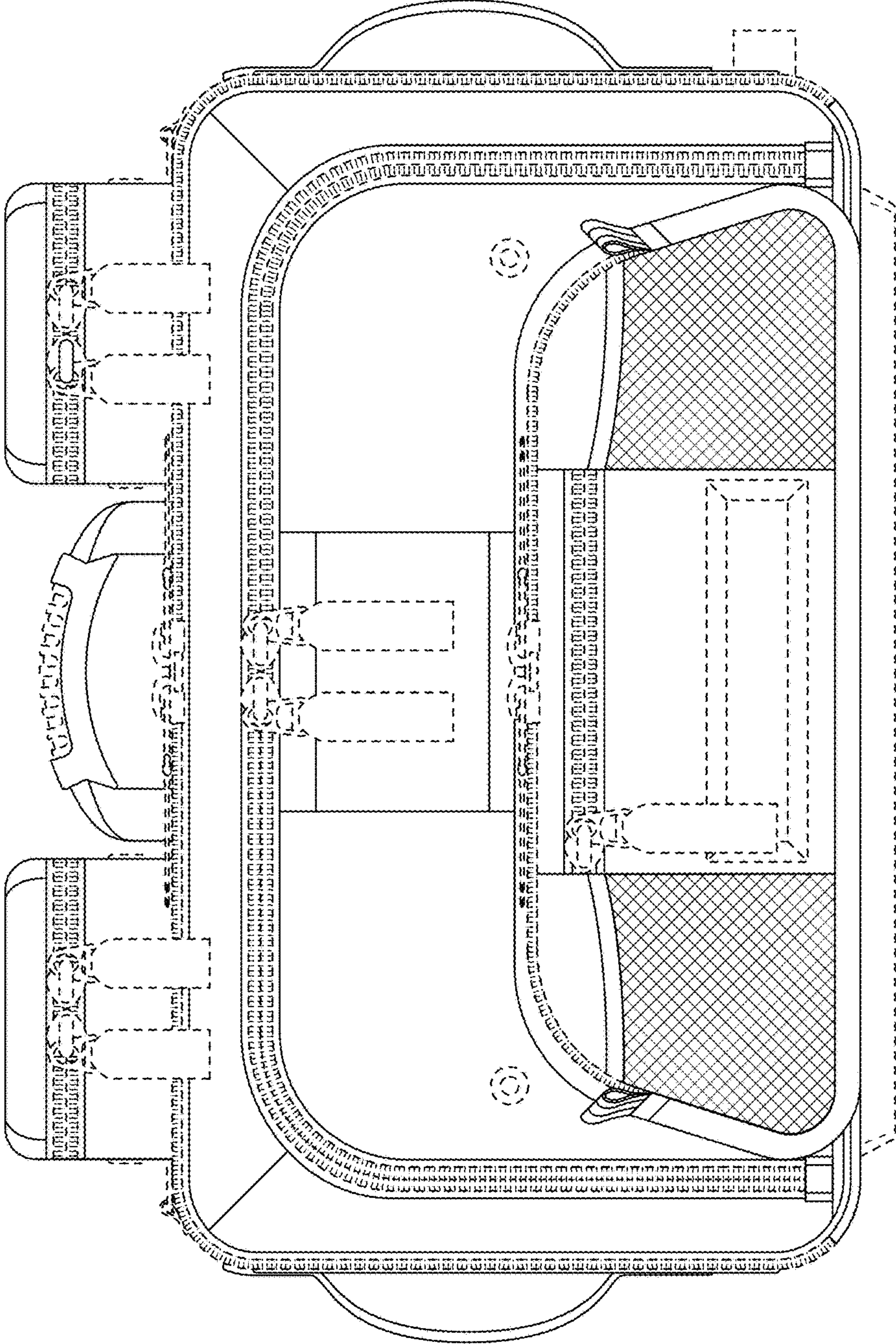


FIG. 2

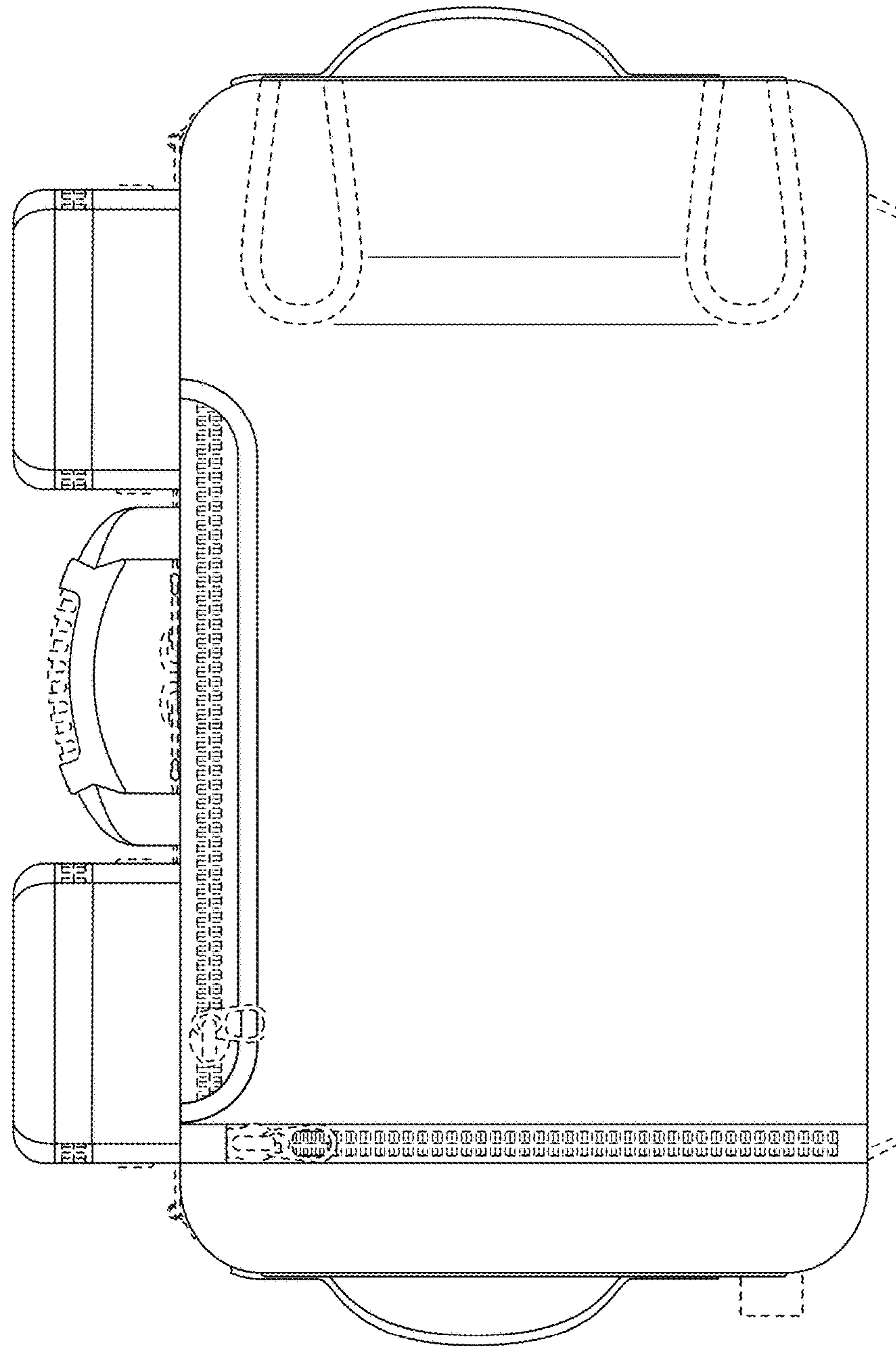


FIG. 3

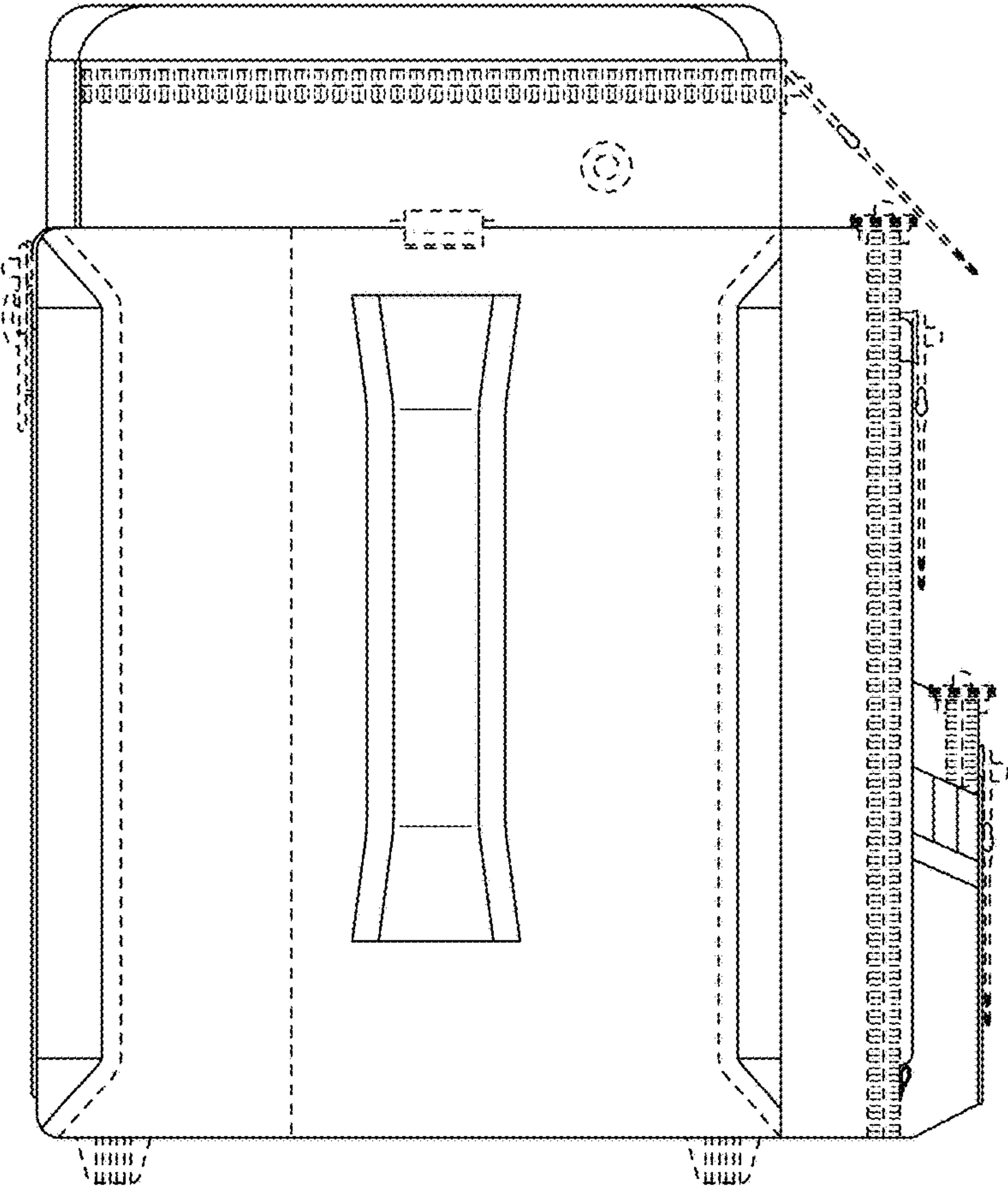


FIG. 4

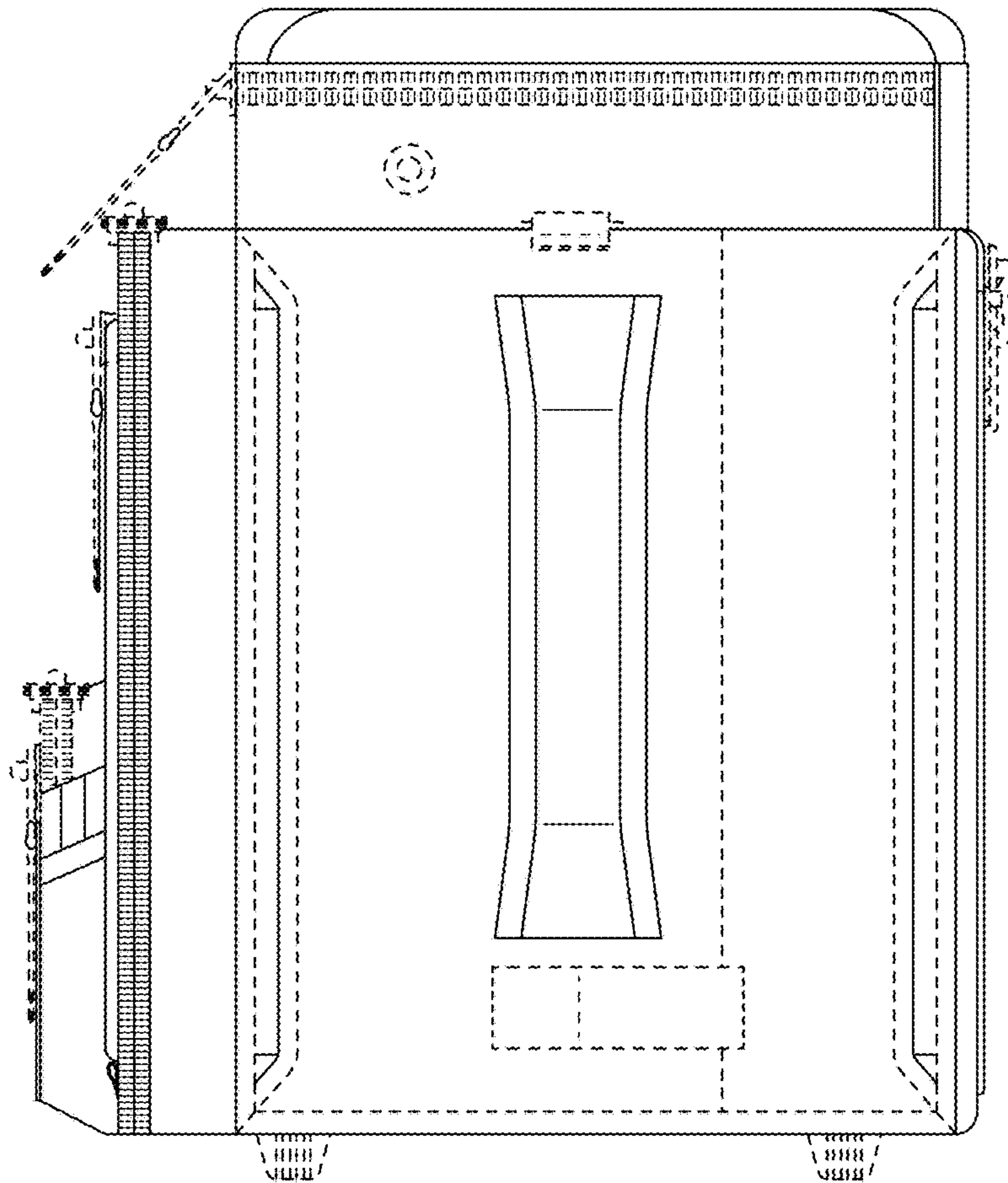


FIG. 5

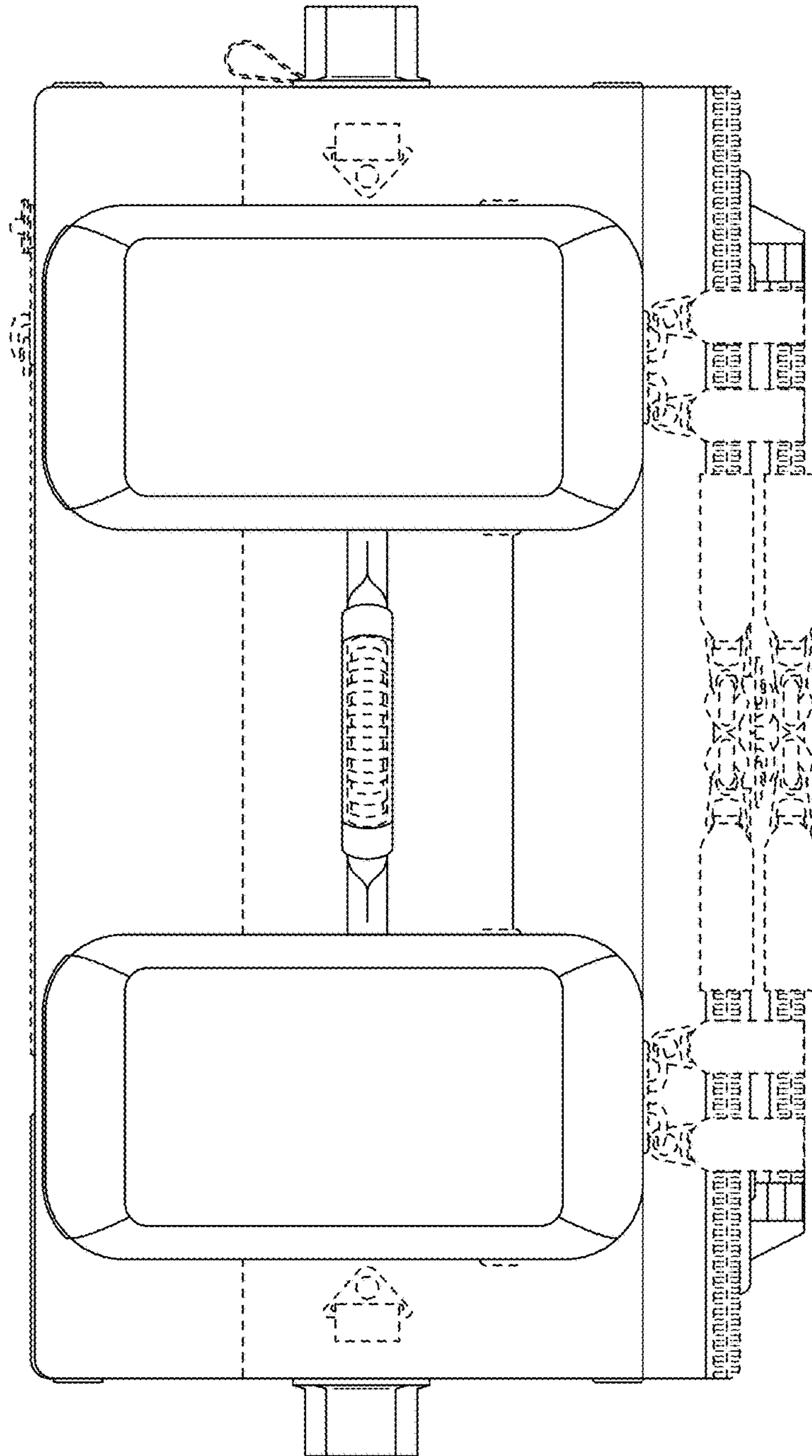


FIG. 6

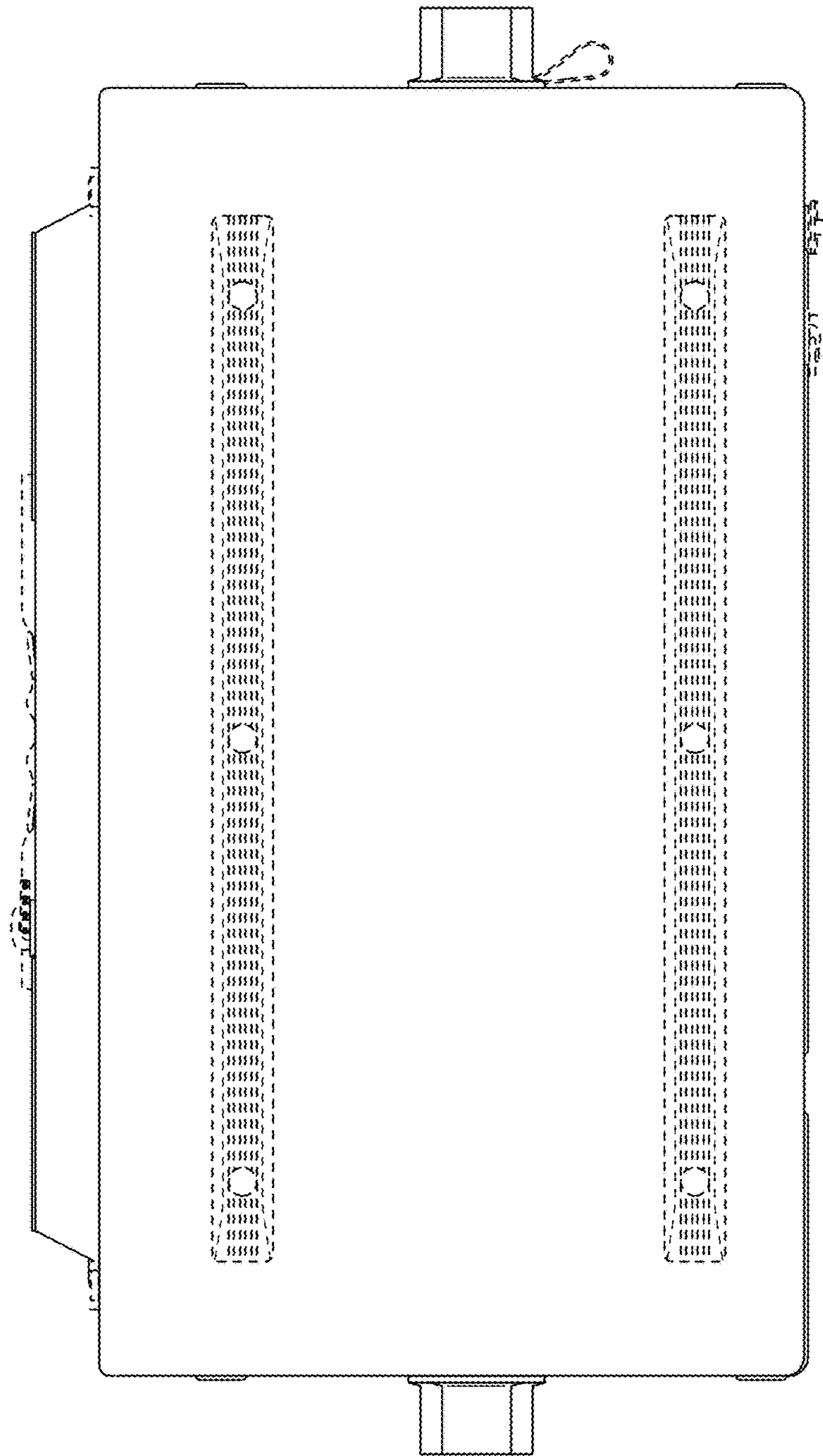


FIG. 7

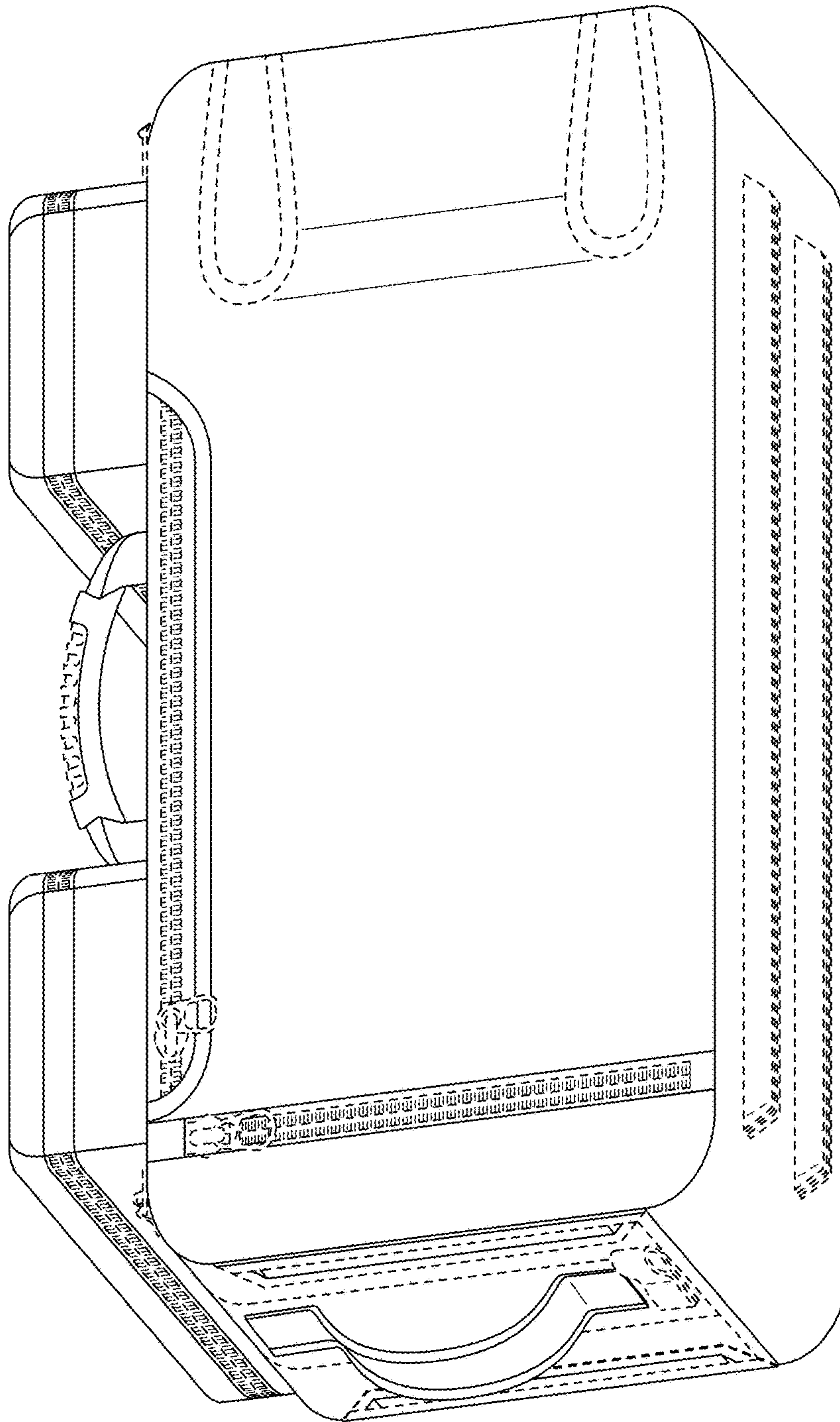


FIG. 8

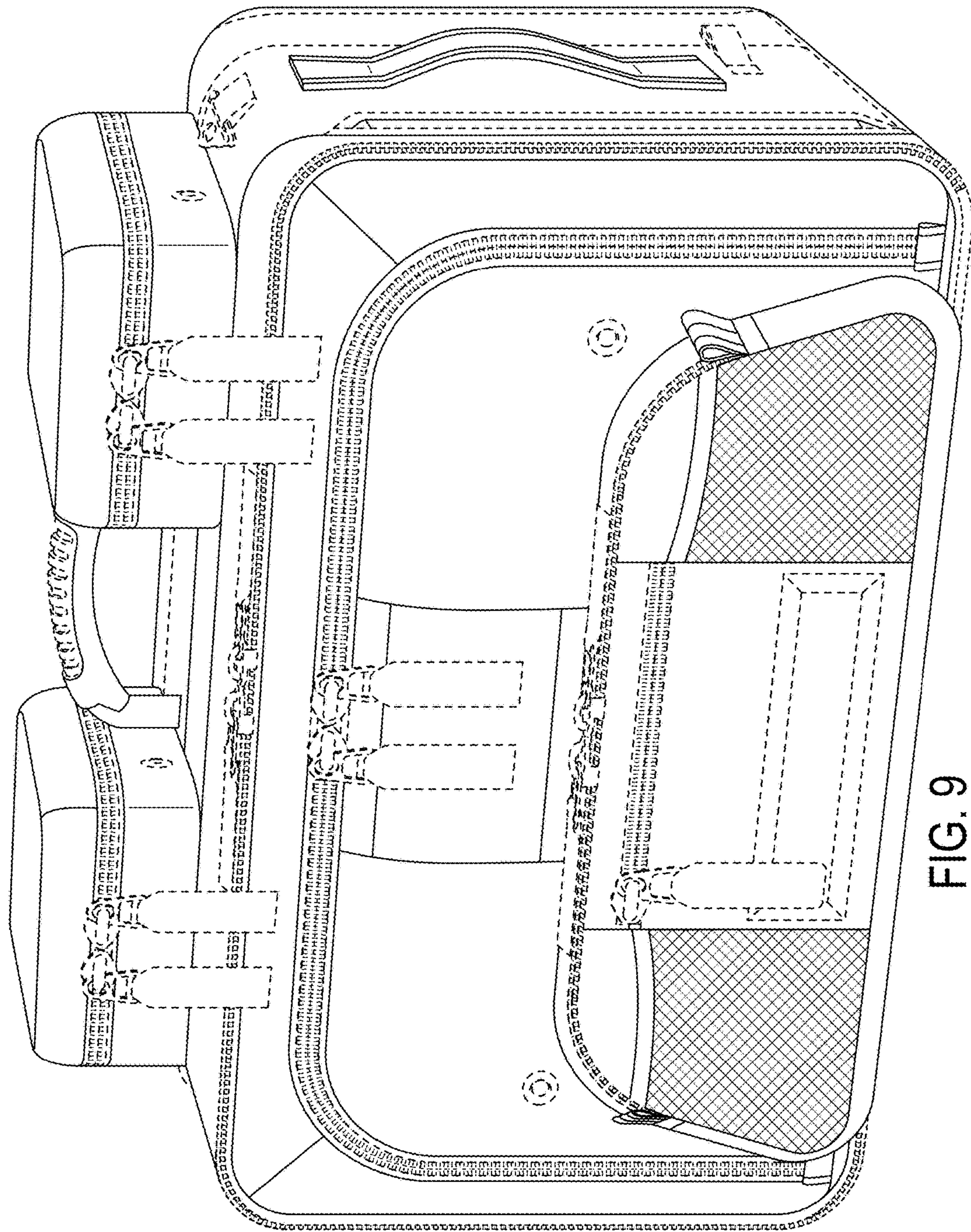


FIG. 9

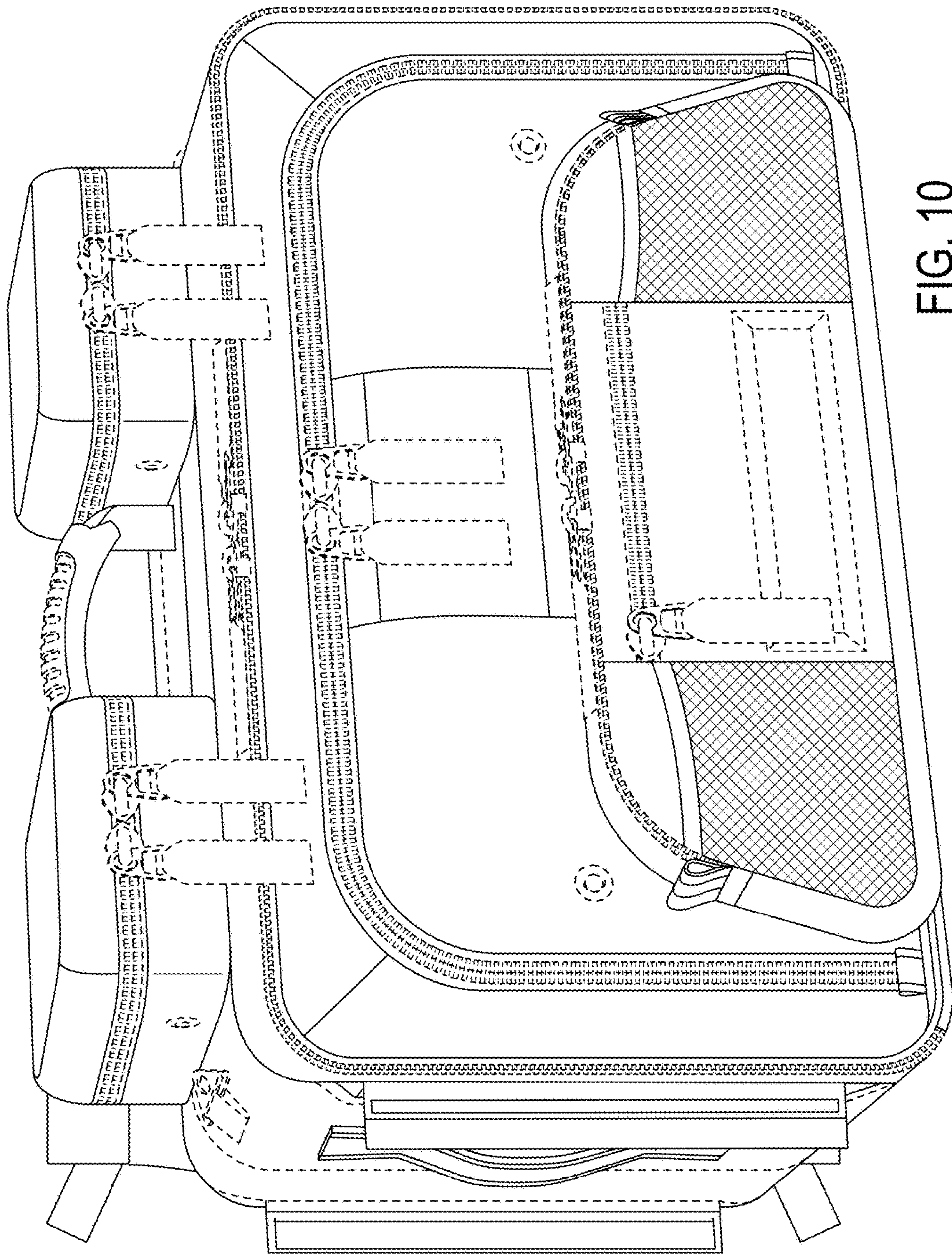


FIG. 10

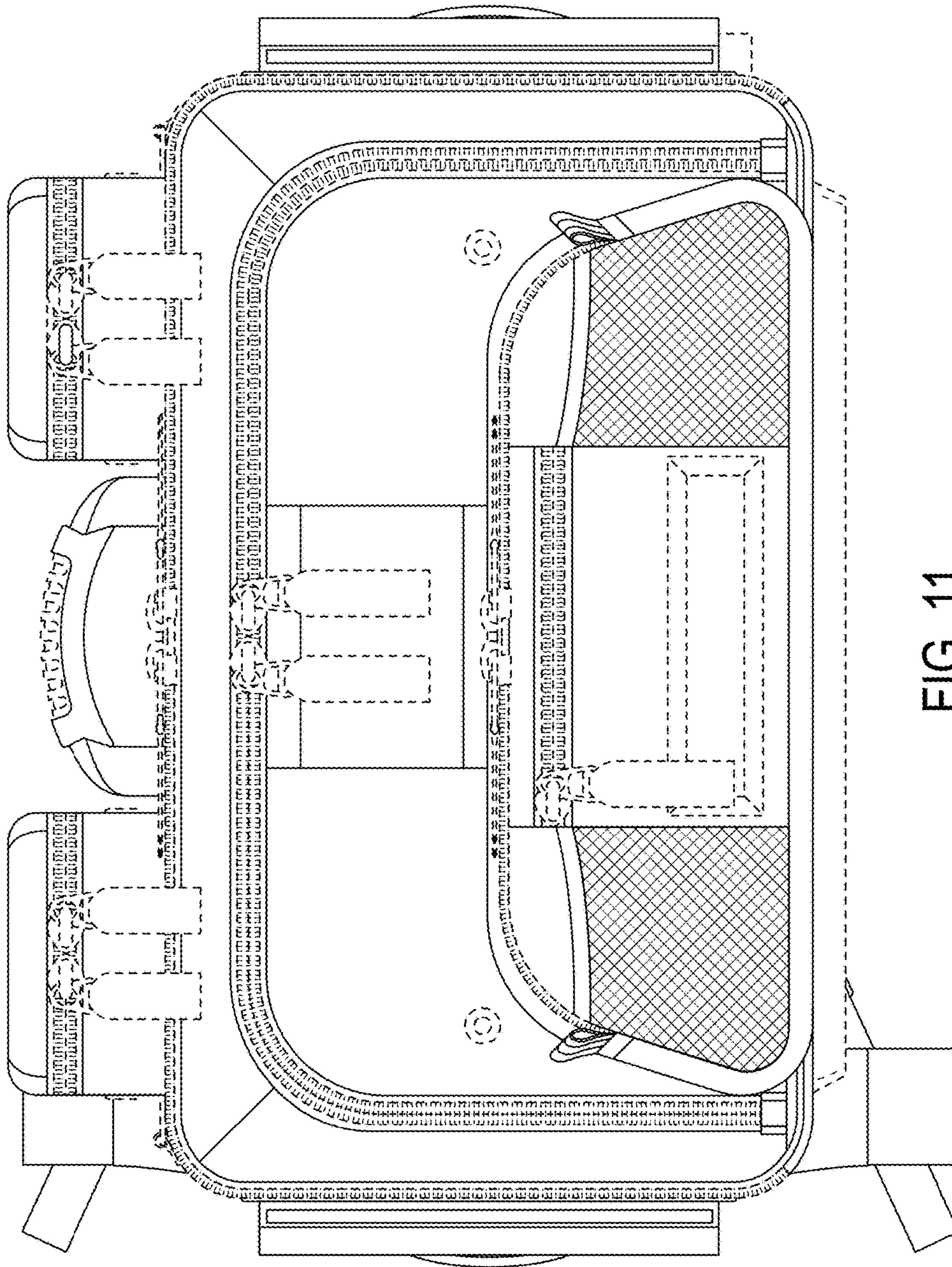


FIG. 11

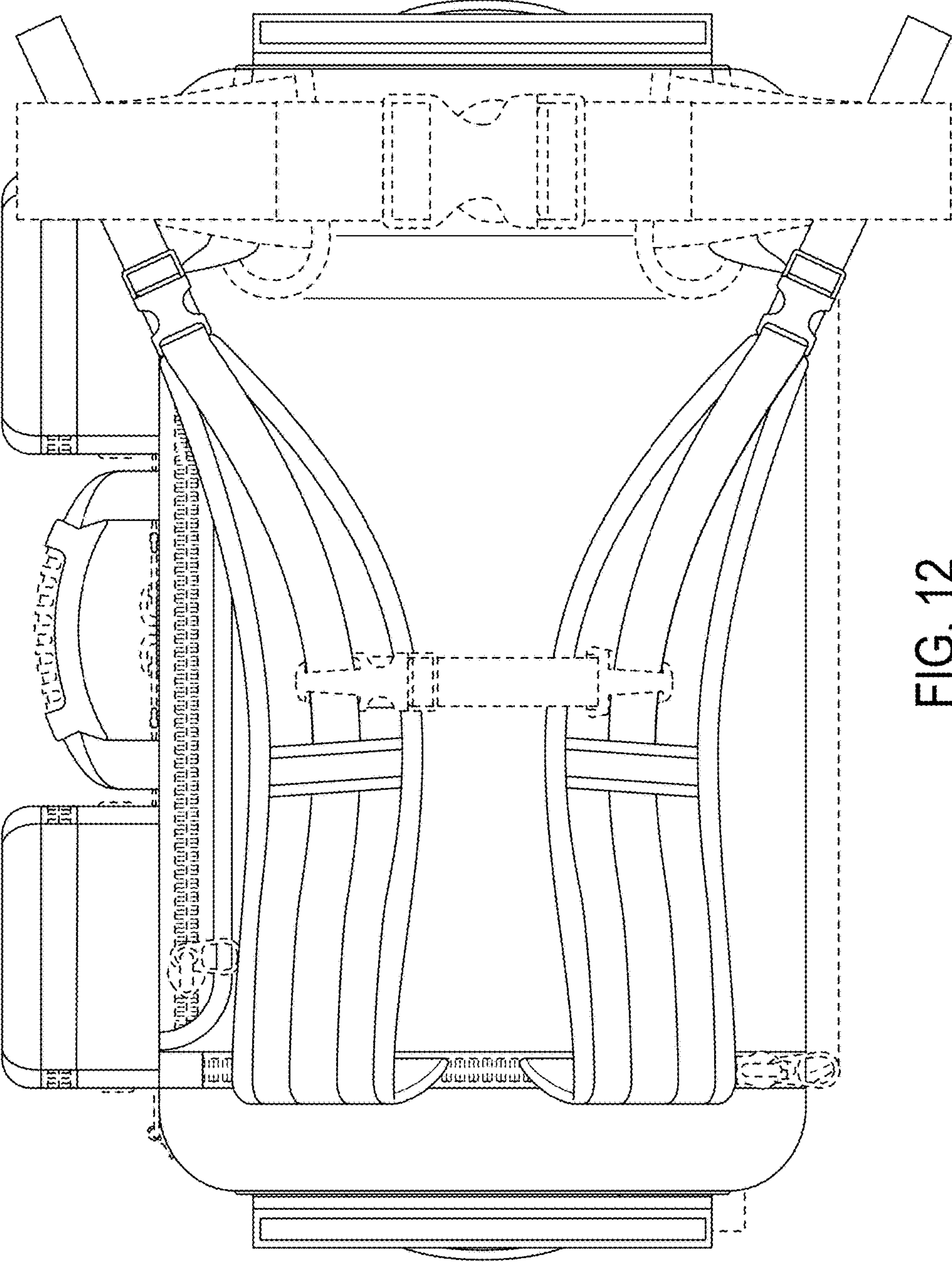
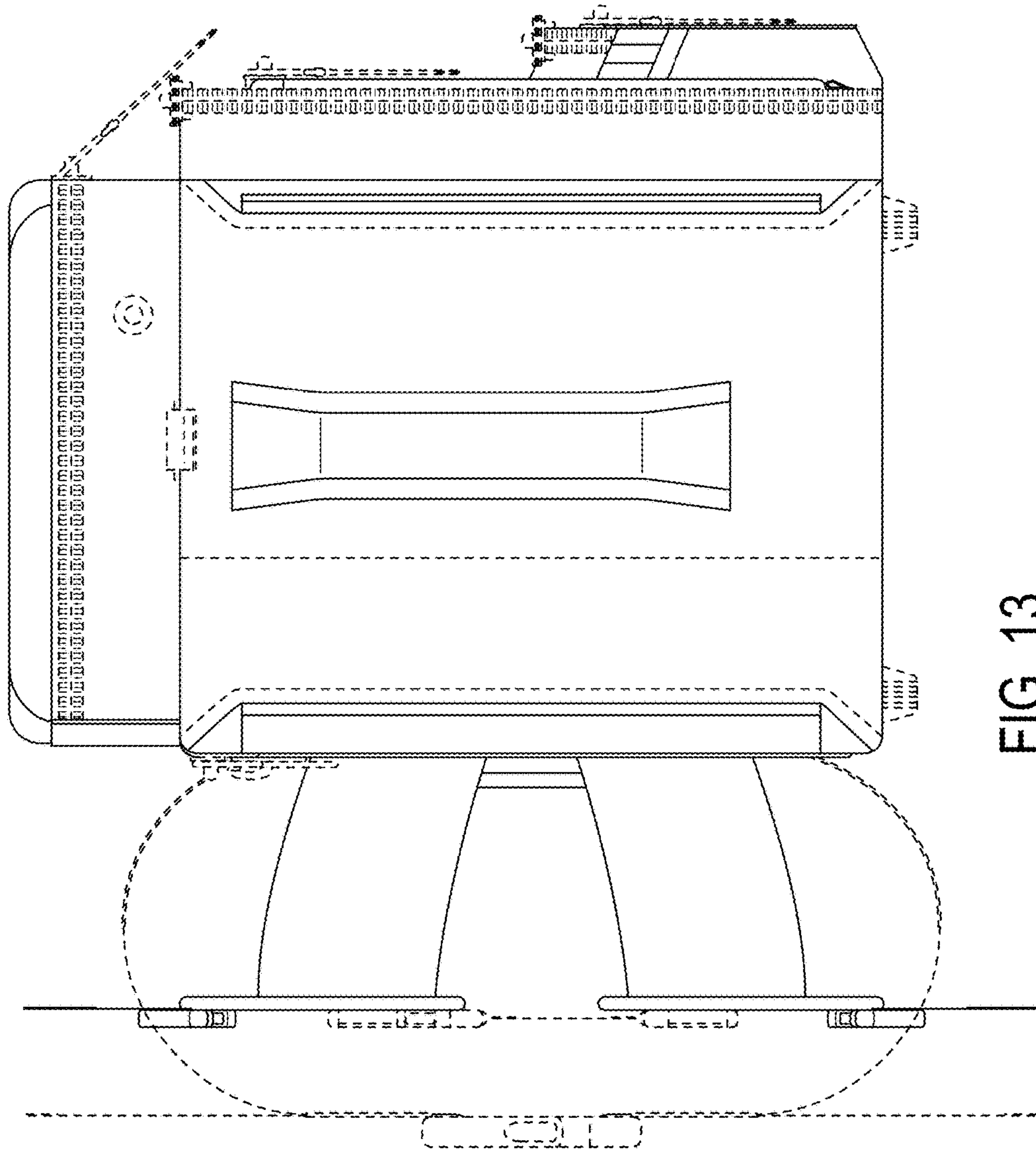


FIG. 12



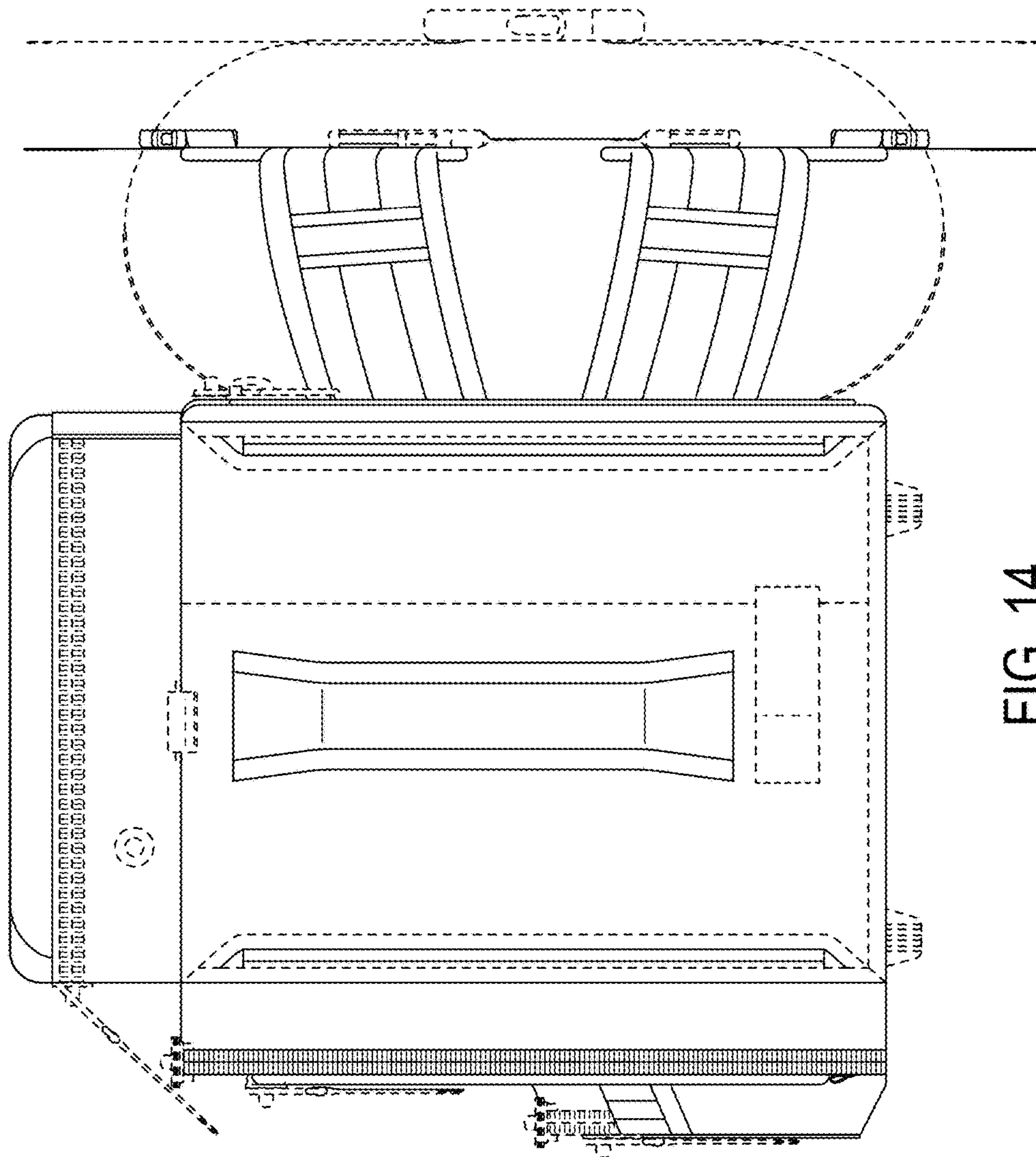


FIG. 14

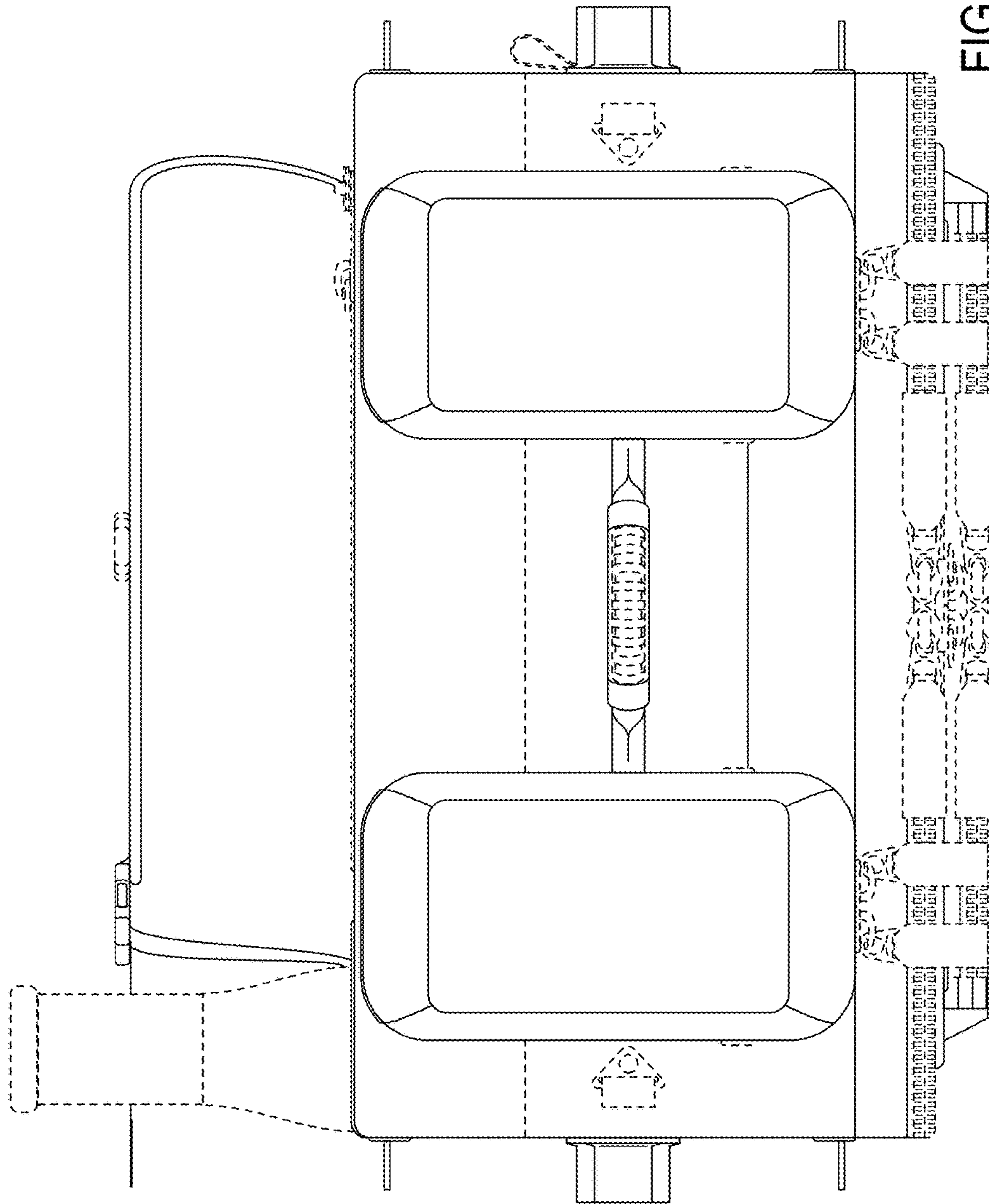


FIG. 15

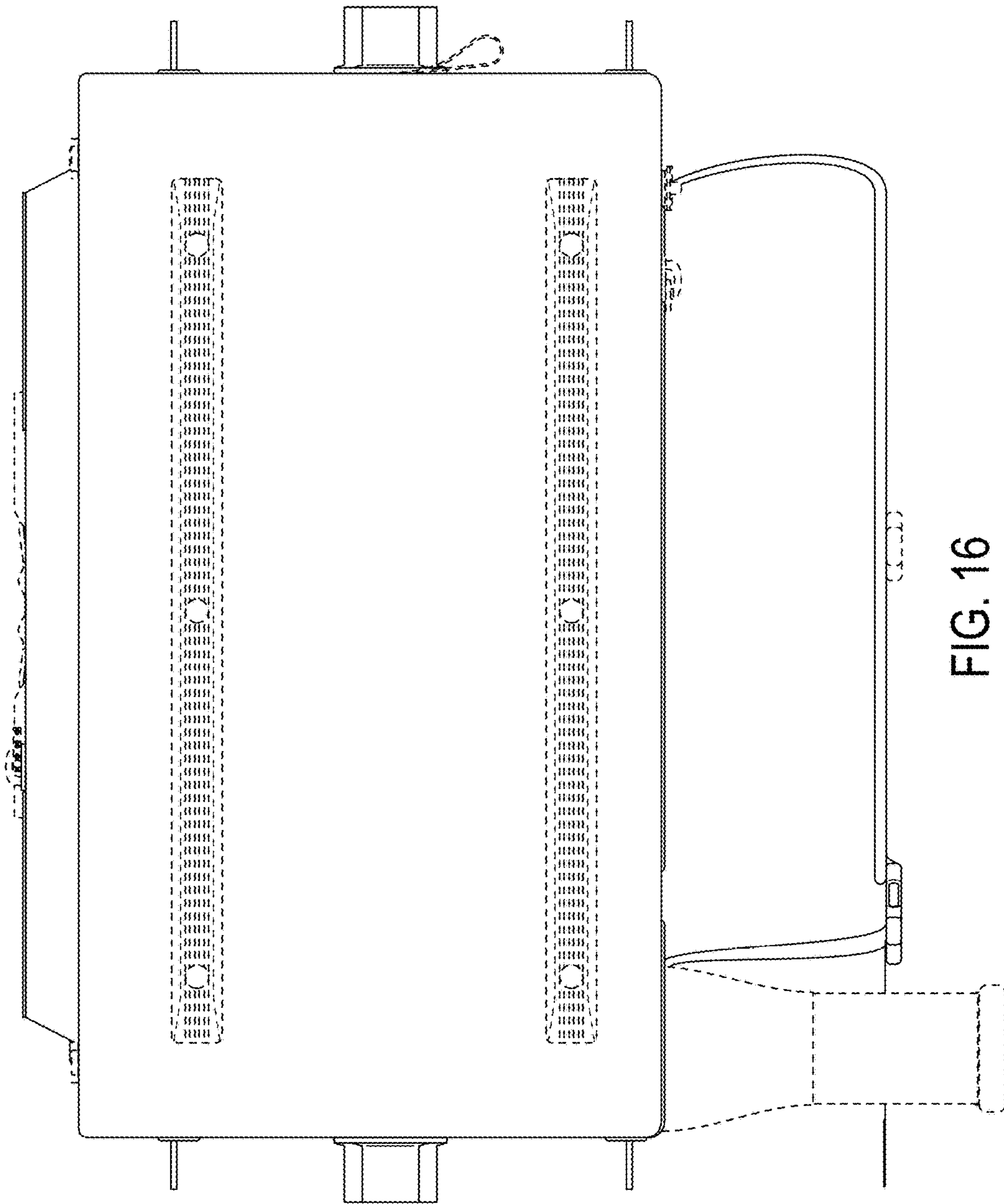


FIG. 16

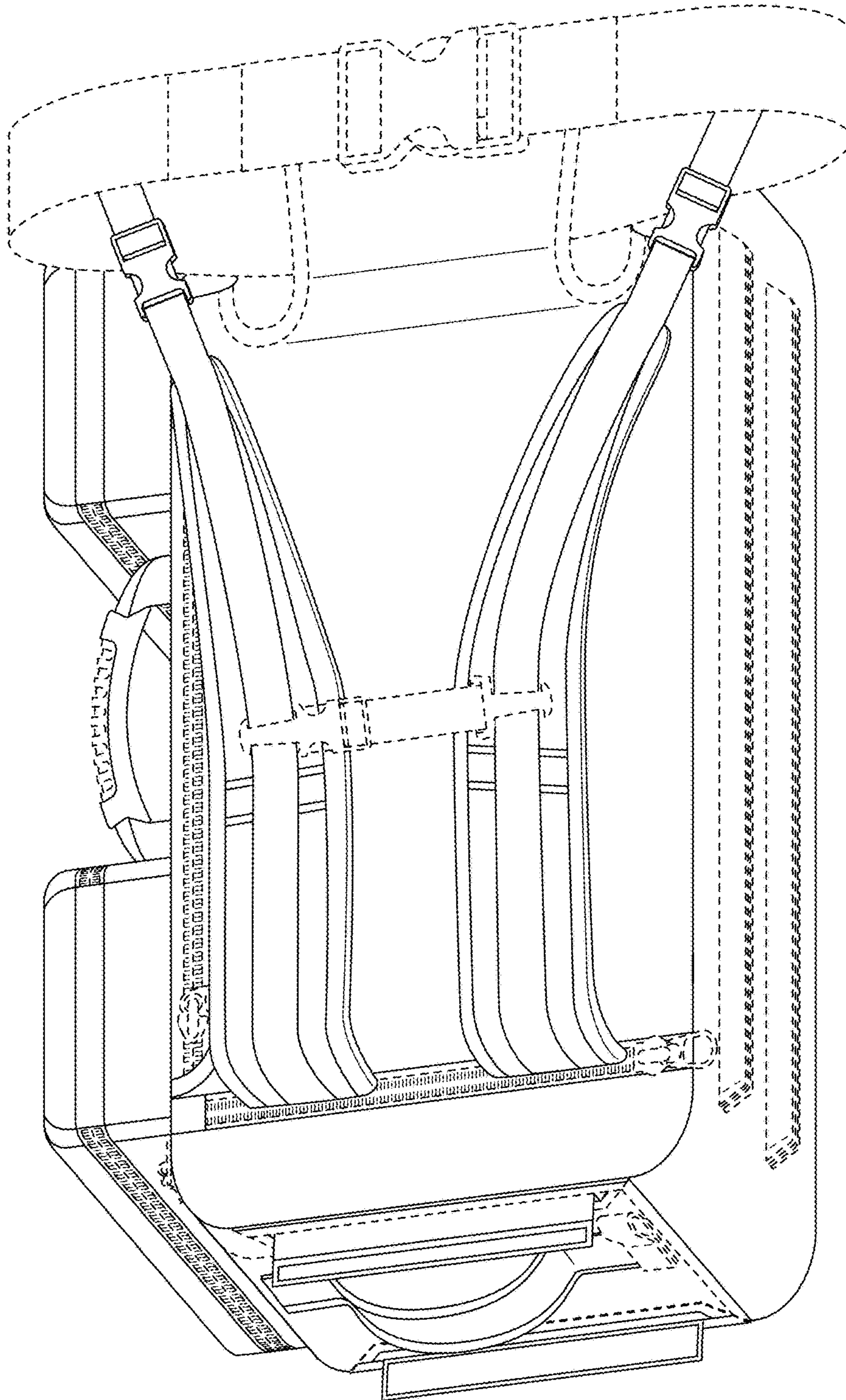


FIG. 17

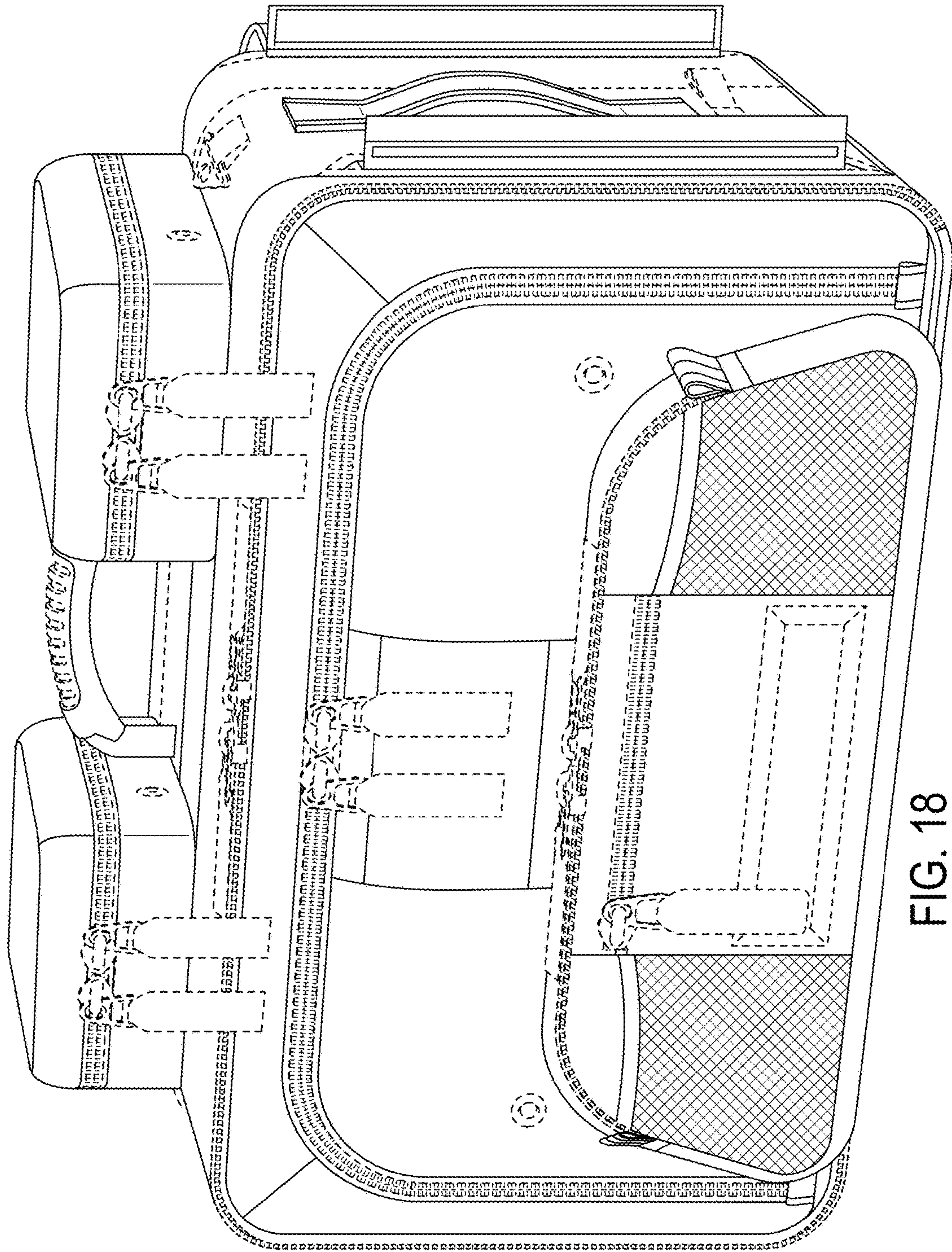


FIG. 18