



US00D845613S

(12) **United States Design Patent** (10) **Patent No.:** **US D845,613 S**
Decker (45) **Date of Patent:** **** Apr. 16, 2019**

(54) **MEDICAL EQUIPMENT BAG**
(71) Applicant: **Meret**, Santa Ana, CA (US)
(72) Inventor: **Scott M. Decker**, Santa Ana, CA (US)
(73) Assignee: **Meret**, Santa Ana, CA (US)
(**) Term: **15 Years**
(21) Appl. No.: **29/613,075**
(22) Filed: **Aug. 7, 2017**
(51) **LOC (11) Cl.** **03-01**
(52) **U.S. Cl.**
USPC **D3/203.1**
(58) **Field of Classification Search**
USPC D3/201, 203.1, 203.6, 203.7, 216, 217,
D3/267, 285, 287, 289, 301
CPC A61B 17/48; A45C 3/00; A45C 2003/008;
A45C 5/00; A45C 7/009; A45F 3/04
See application file for complete search history.

D699,940 S * 2/2014 Robert D3/216
D699,941 S * 2/2014 Robert D3/216
D699,942 S * 2/2014 Mather D3/216

(Continued)

OTHER PUBLICATIONS

Meret, Recover Pro O2 Response Bag (TS2 Ready™), Apr. 16, 2016 capture, retrieved from Internet Archive at <https://web.archive.org/web/20160416031508/http://meretusa.com/product.php?product_id=833> on Sep. 6, 2018, 3 pages.

Primary Examiner — John Windmuller
Assistant Examiner — Steven J Czyz
(74) *Attorney, Agent, or Firm* — Alston & Bird LLP

(57) **CLAIM**

The ornamental design for a medical equipment bag, as shown and described.

DESCRIPTION

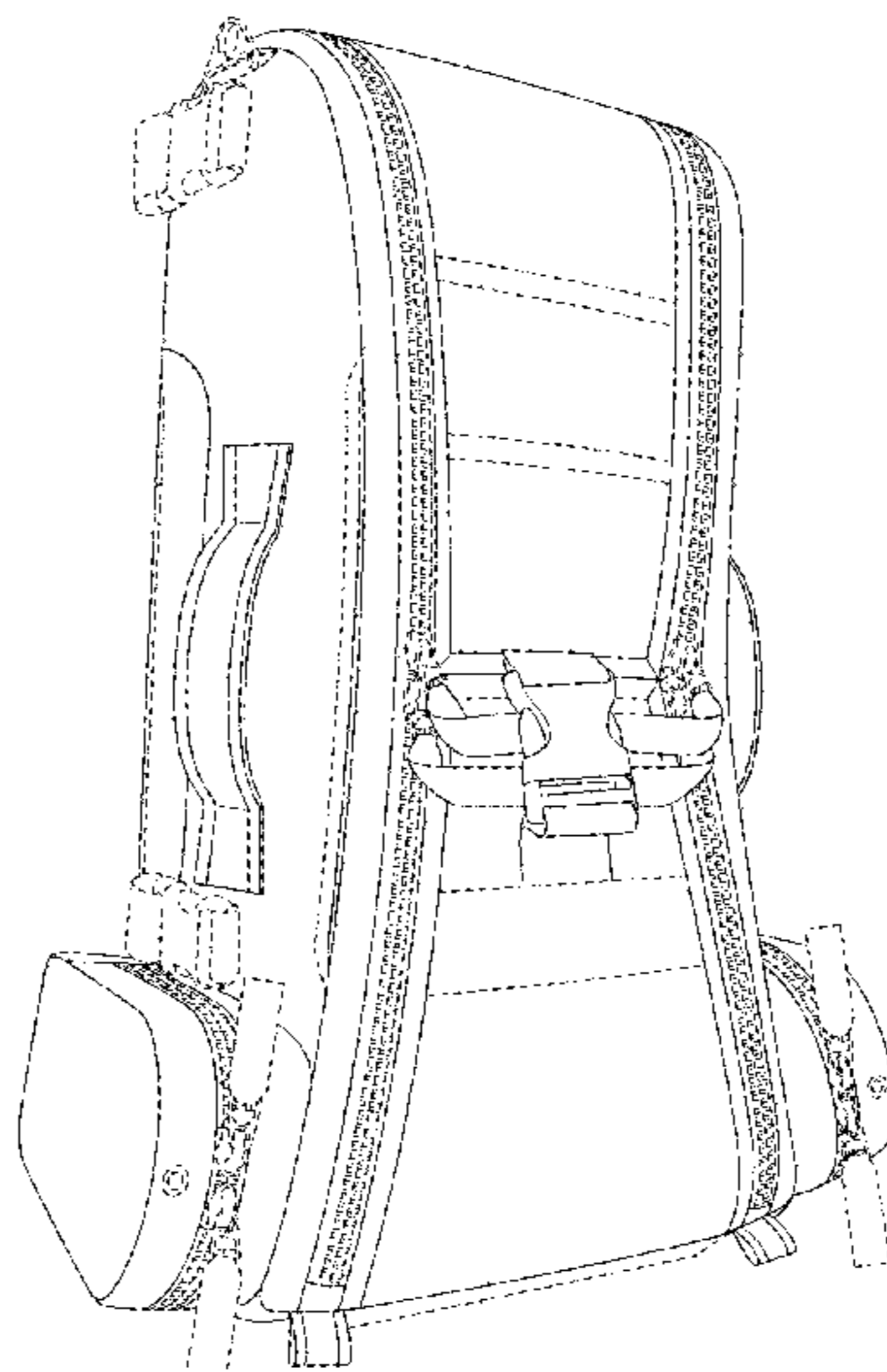
FIG. 1 is a front-left perspective view of a medical equipment bag, shown with the flaps and straps not exposed; FIG. 2 is a rear-right view thereof; FIG. 3 is a front view thereof; FIG. 4 is a rear view thereof; FIG. 5 is a left side view thereof; FIG. 6 is a right side view thereof; FIG. 7 is a top view thereof; FIG. 8 is a bottom view thereof; FIG. 9 is a front-left perspective view of the medical equipment bag, shown with the flaps and straps exposed; FIG. 10 is a rear-right view thereof; FIG. 11 is a front view thereof; FIG. 12 is a rear view thereof; FIG. 13 is a left side view thereof; FIG. 14 is a right side view thereof; FIG. 15 is a top view thereof; and, FIG. 16 is a bottom view thereof. The broken lines depict portions of the article that form no part of the claimed design.

(56) **References Cited**

U.S. PATENT DOCUMENTS

4,513,866 A * 4/1985 Thomas A45C 9/00
190/110
D305,798 S * 1/1990 Say D3/203.6
D396,745 S * 8/1998 Peterson D3/216
D411,664 S * 6/1999 Latshaw D3/201
D457,307 S * 5/2002 Pukall D3/216
D458,444 S * 6/2002 Clark D3/216
D463,659 S * 10/2002 Clark D3/216
6,712,249 B2 * 3/2004 Magnusson H04R 5/023
224/153
D489,174 S * 5/2004 Shigenaka D14/172
D538,528 S * 3/2007 Dawson D3/203.1
D546,552 S * 7/2007 Dawson D3/203.1
D598,191 S * 8/2009 Tang D3/203.1
D614,859 S * 5/2010 Hansen D3/203.7
D681,324 S * 5/2013 Mohr D3/216

1 Claim, 16 Drawing Sheets



(56)

References Cited

U.S. PATENT DOCUMENTS

D699,944	S	*	2/2014	Mather	D3/216
D702,434	S	*	4/2014	Chalk	D3/216
D706,534	S	*	6/2014	Zwetzig	D3/216
D739,653	S	*	9/2015	Majeau	D3/217
D746,050	S	*	12/2015	Ford	D3/217
D747,104	S	*	1/2016	Ford	D3/216
D748,918	S	*	2/2016	Majeau	D3/216
D759,370	S	*	6/2016	Godzich	D3/216
D767,877	S	*	10/2016	Halko	D3/203.1
D781,049	S	*	3/2017	Kemp	D3/216
D781,575	S	*	3/2017	Etekoachay	D3/217
D800,443	S	*	10/2017	Burton	D3/203.1
D800,444	S	*	10/2017	Burton	D3/203.1
D811,727	S	*	3/2018	Quehl	D3/217
D819,327	S	*	6/2018	Jusic	D3/217

* cited by examiner

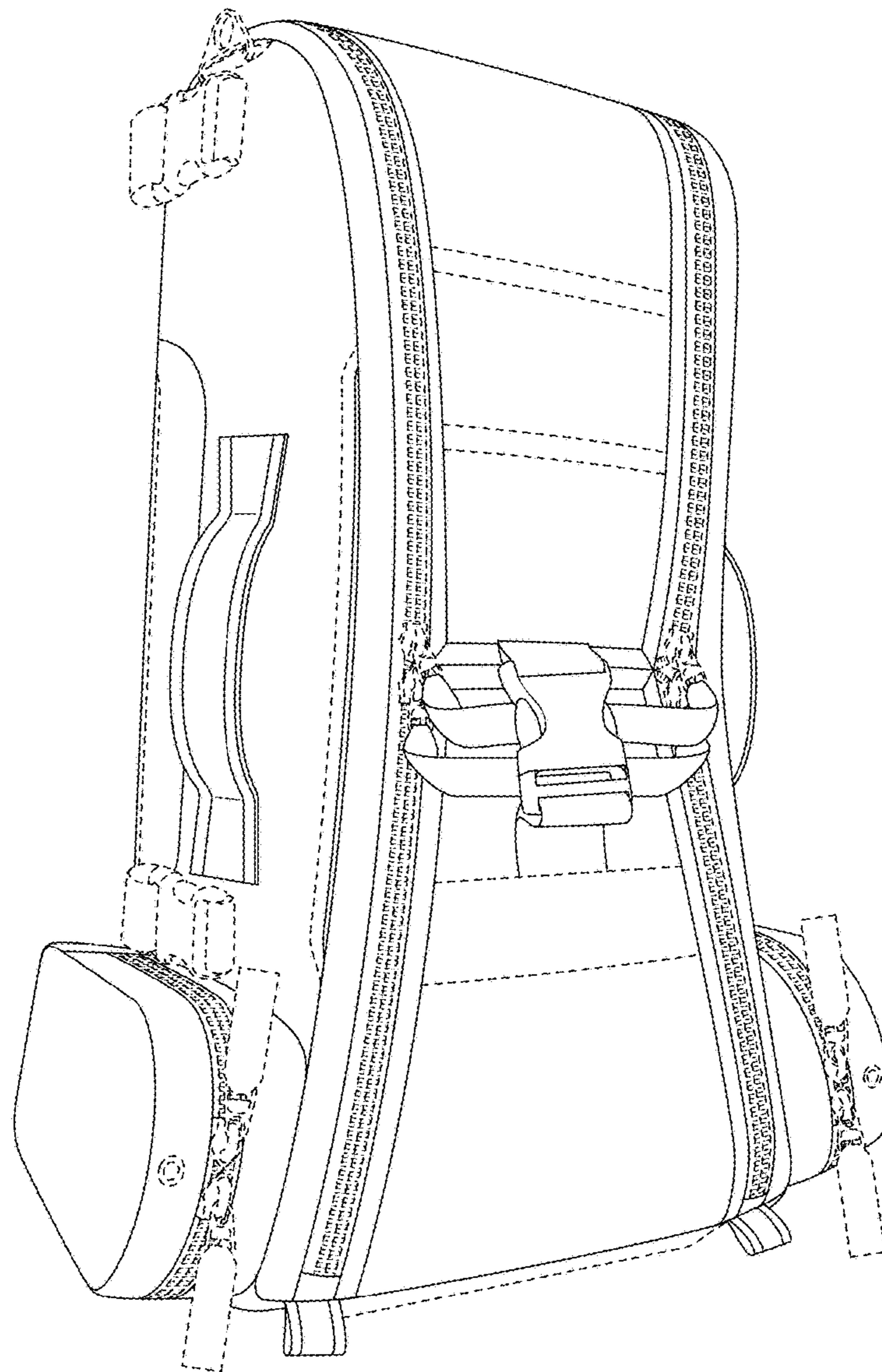


FIG. 1

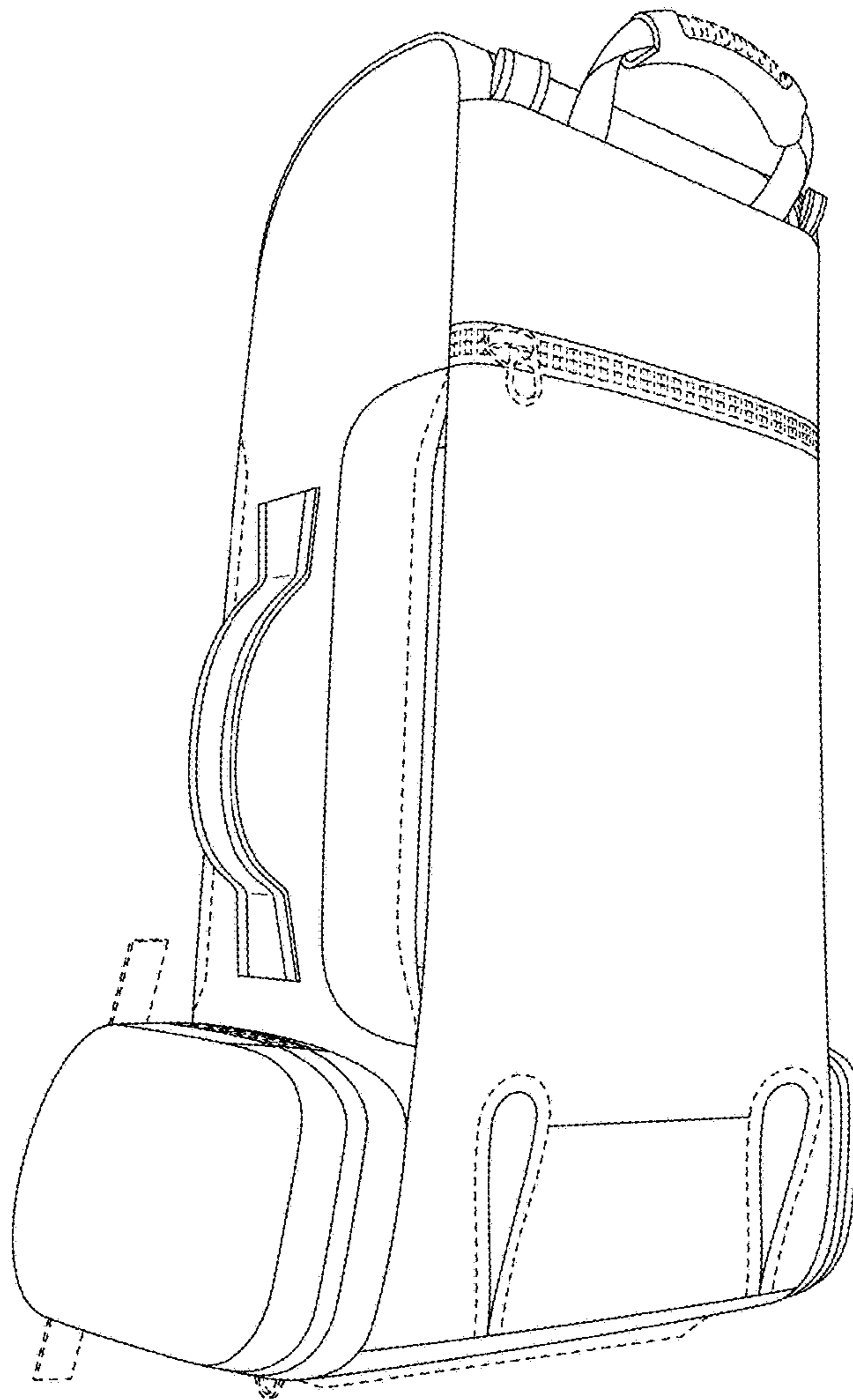


FIG. 2

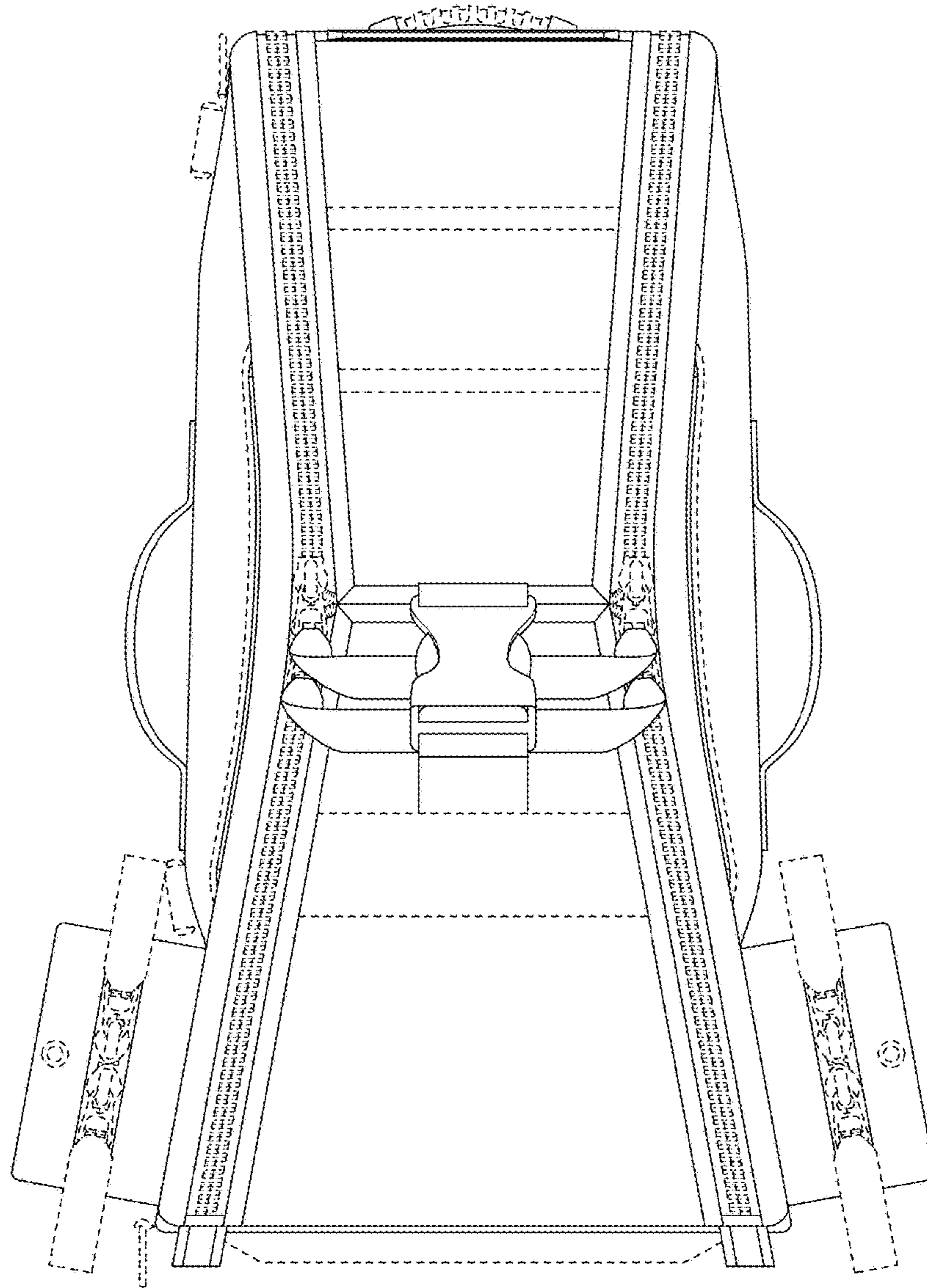


FIG. 3

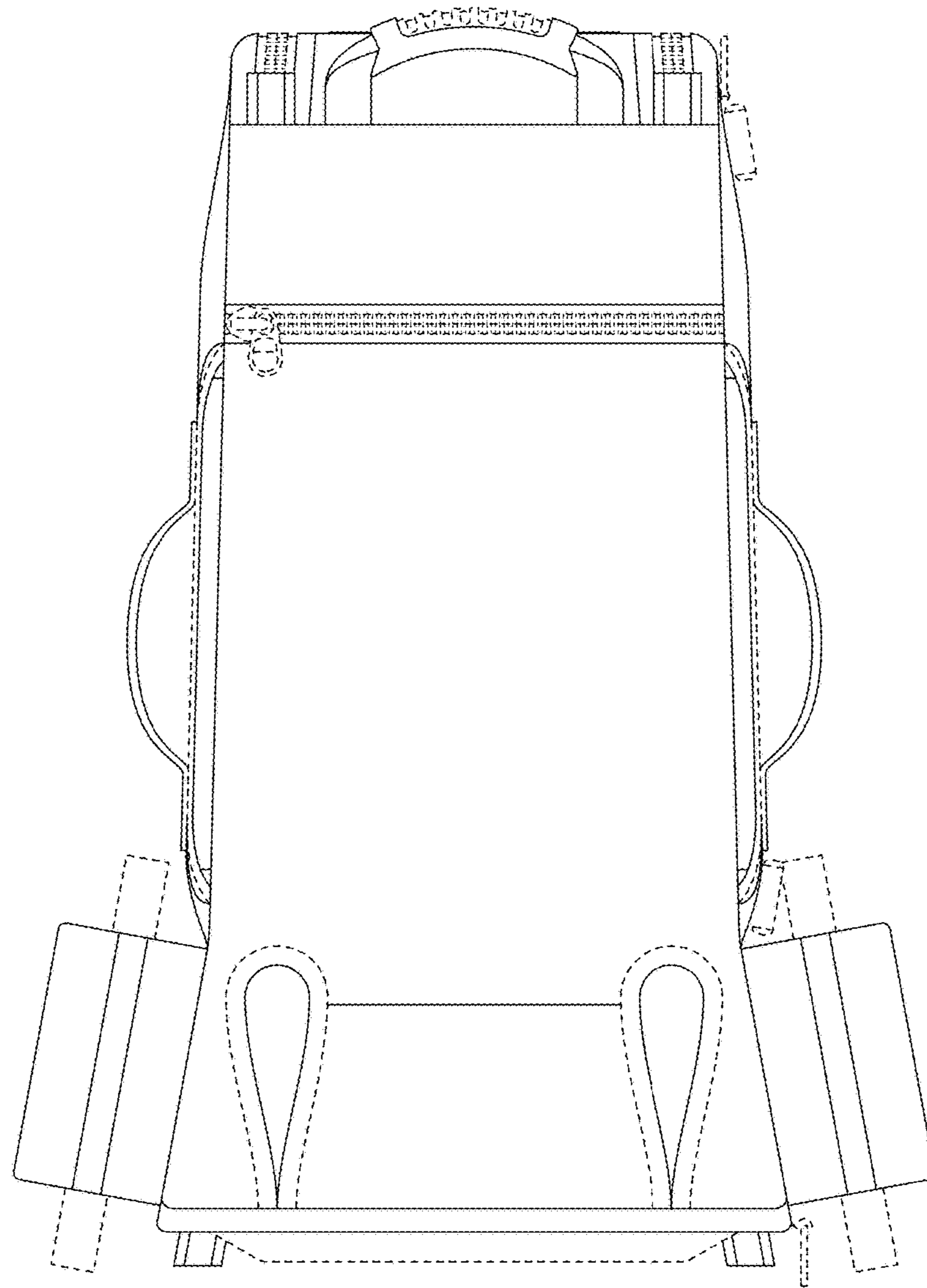


FIG. 4

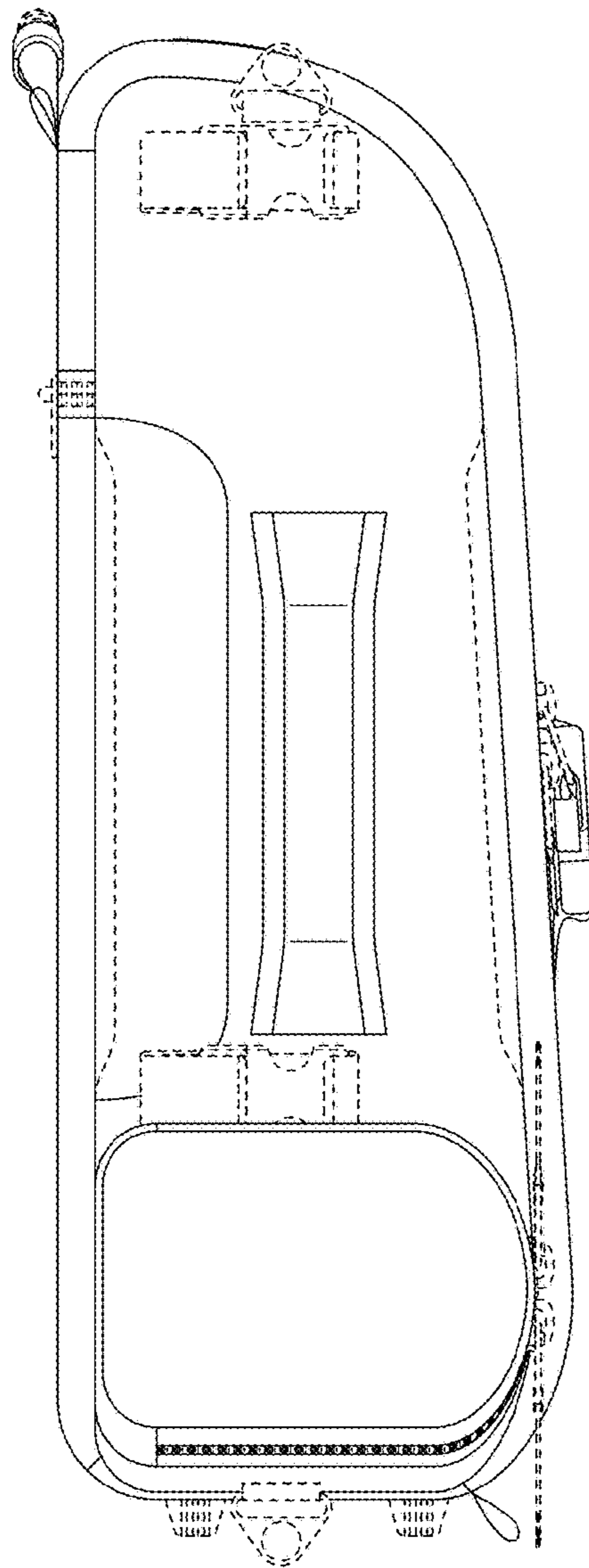


FIG. 5

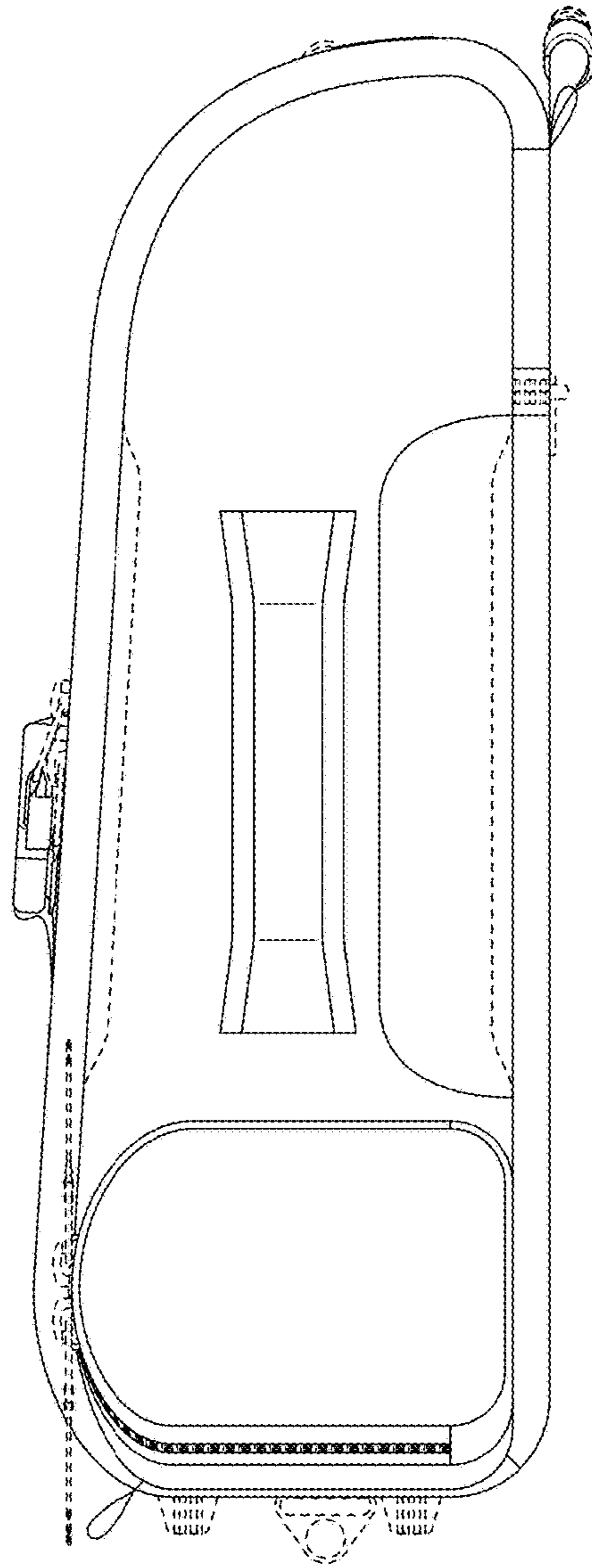


FIG. 6

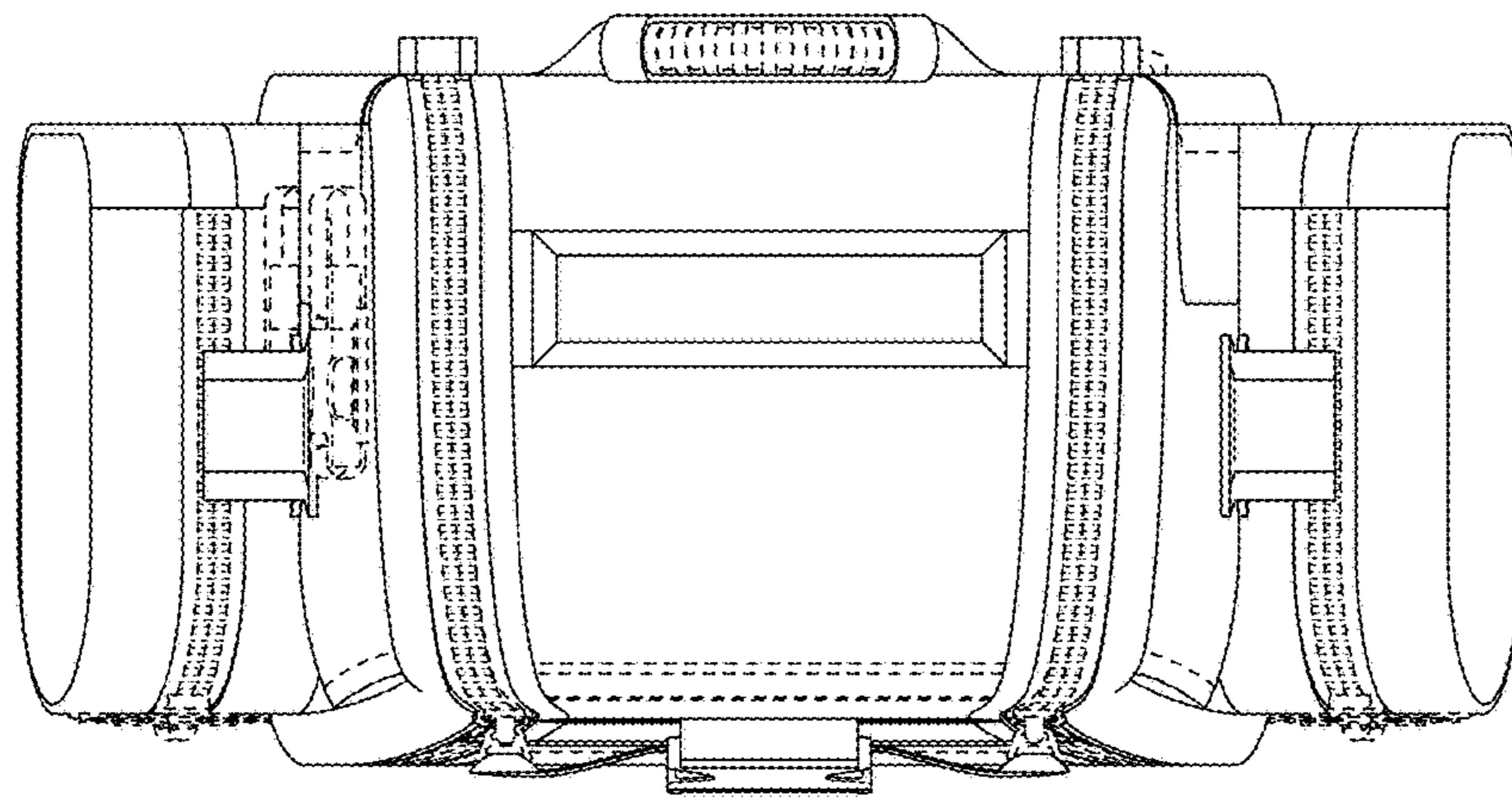


FIG. 7

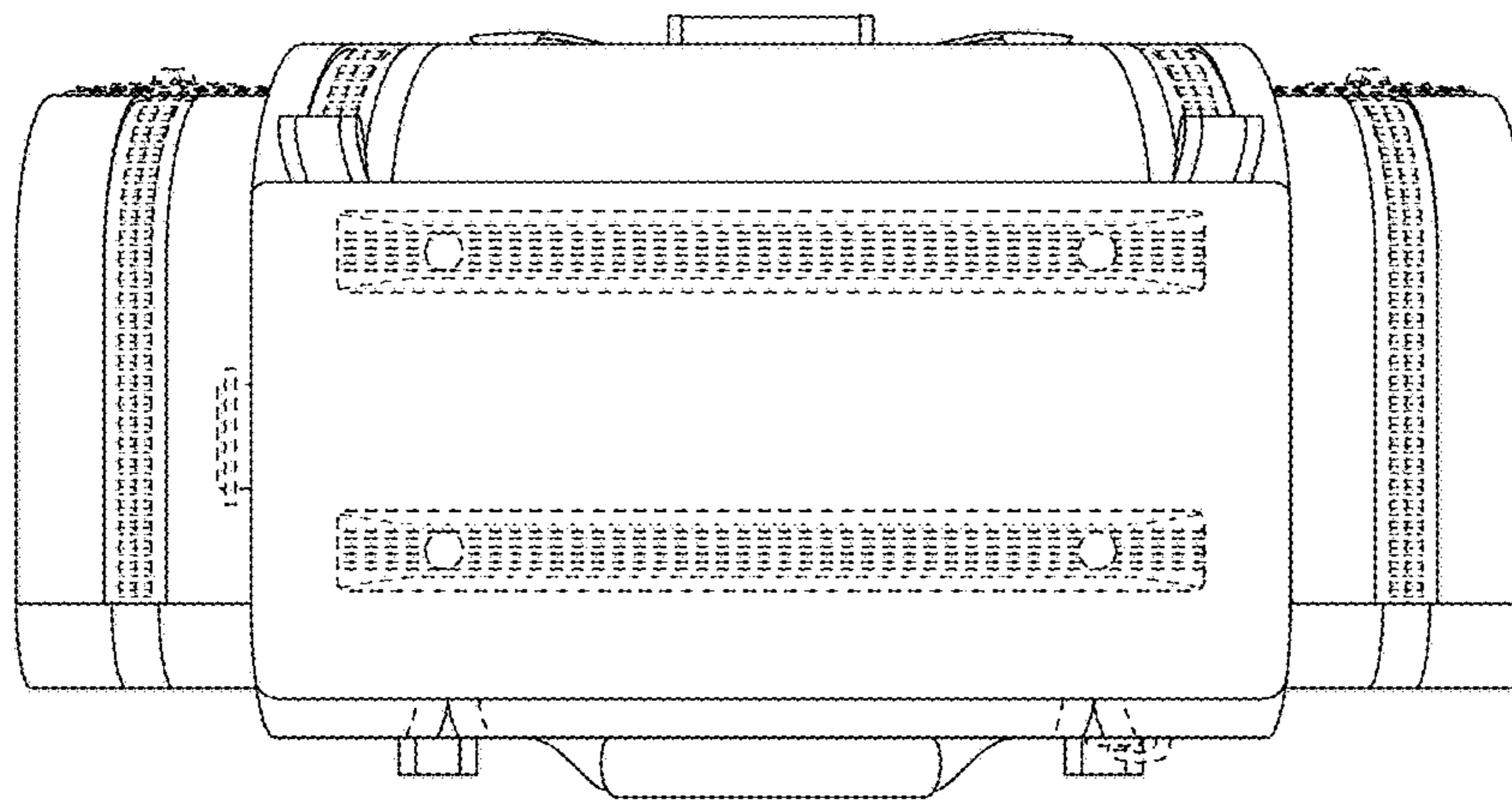


FIG. 8

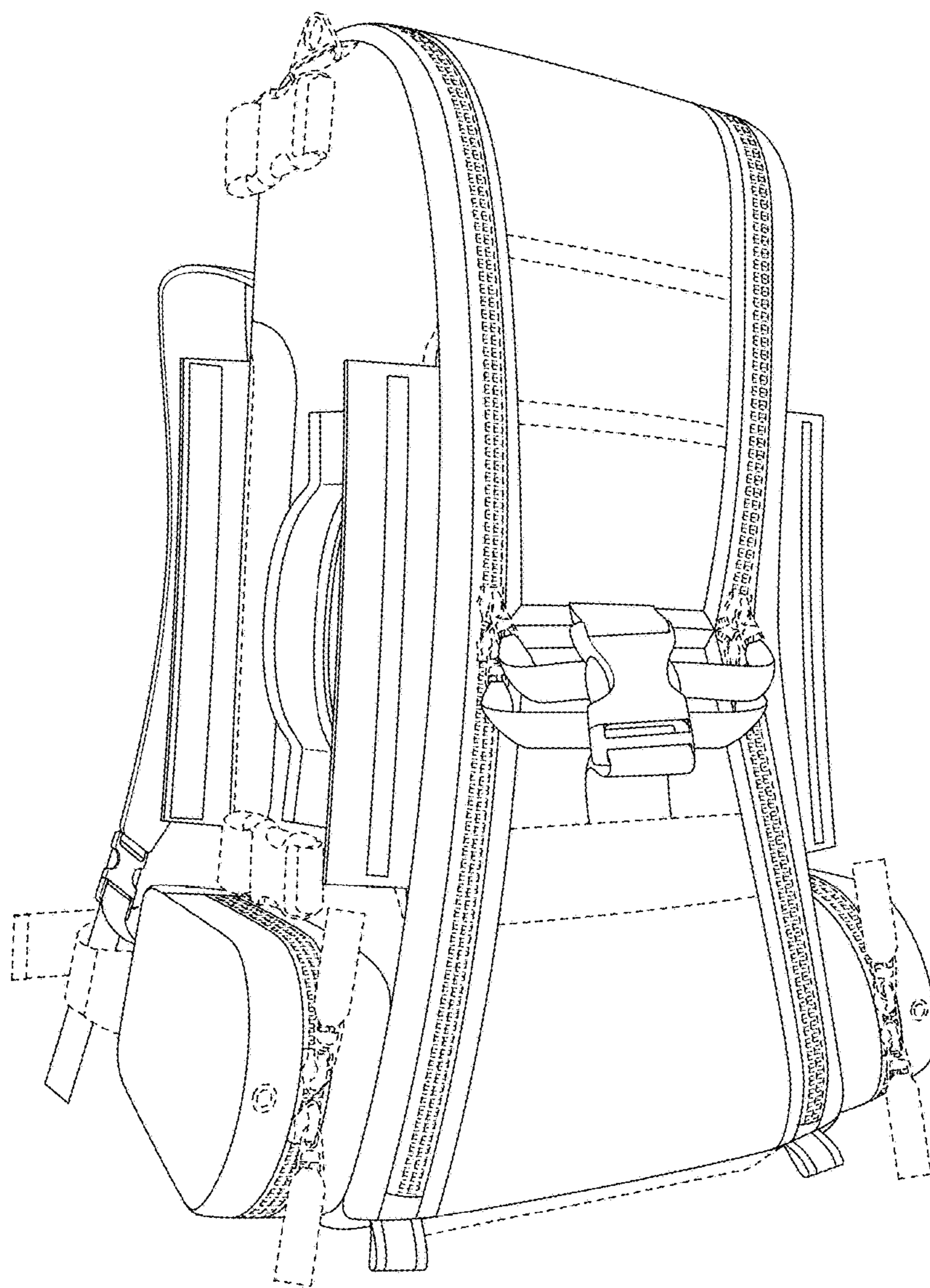


FIG. 9

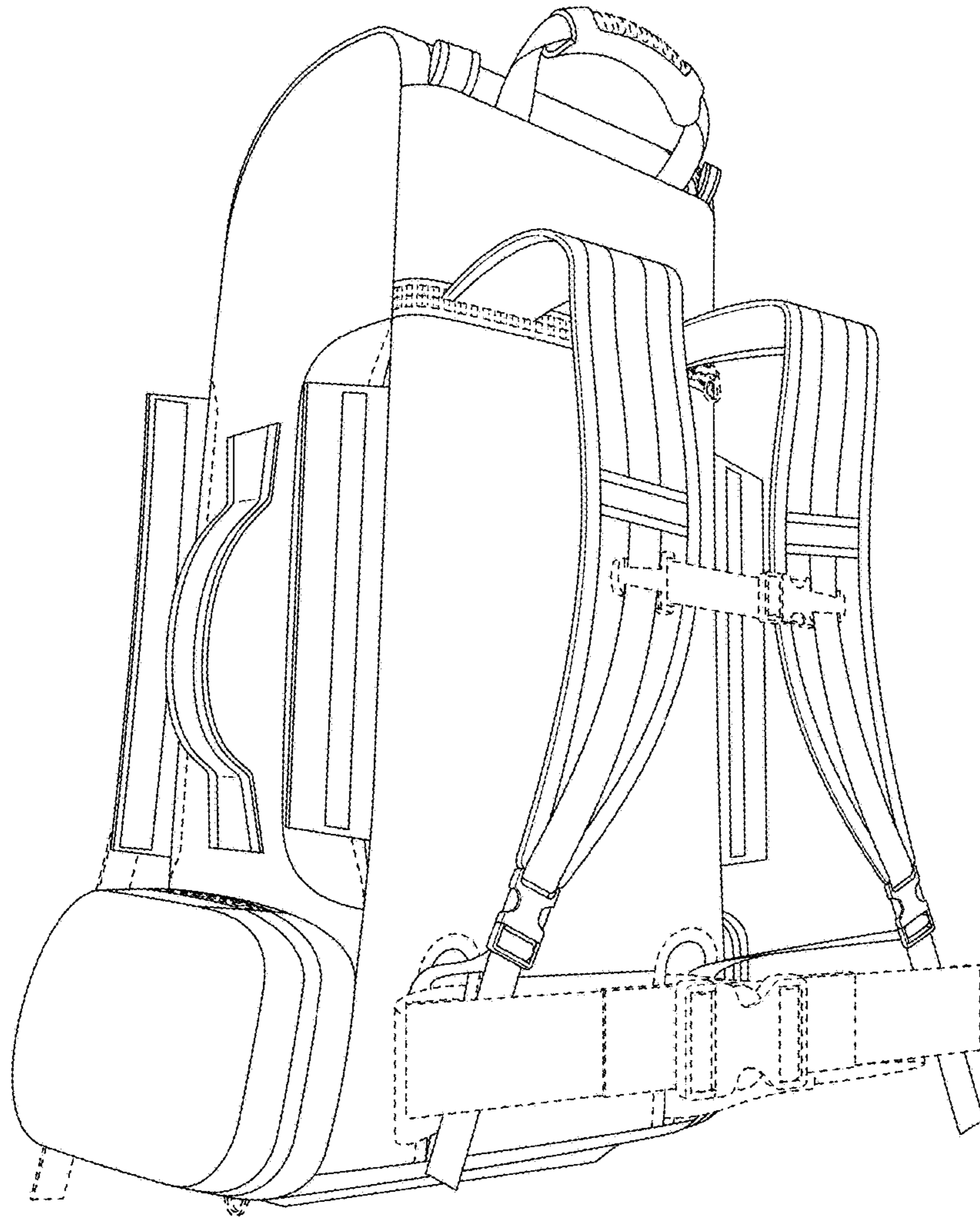


FIG. 10

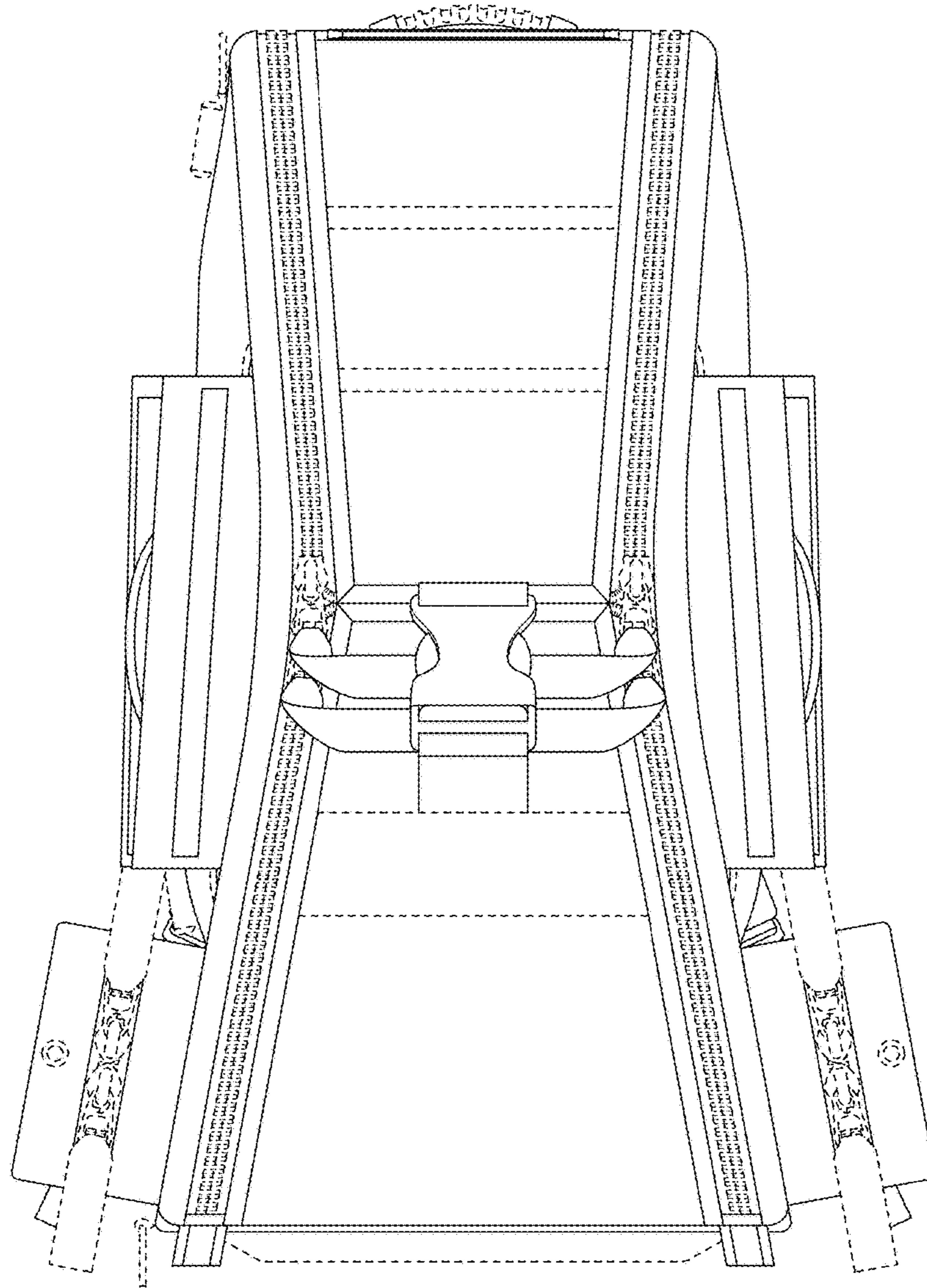


FIG. 11

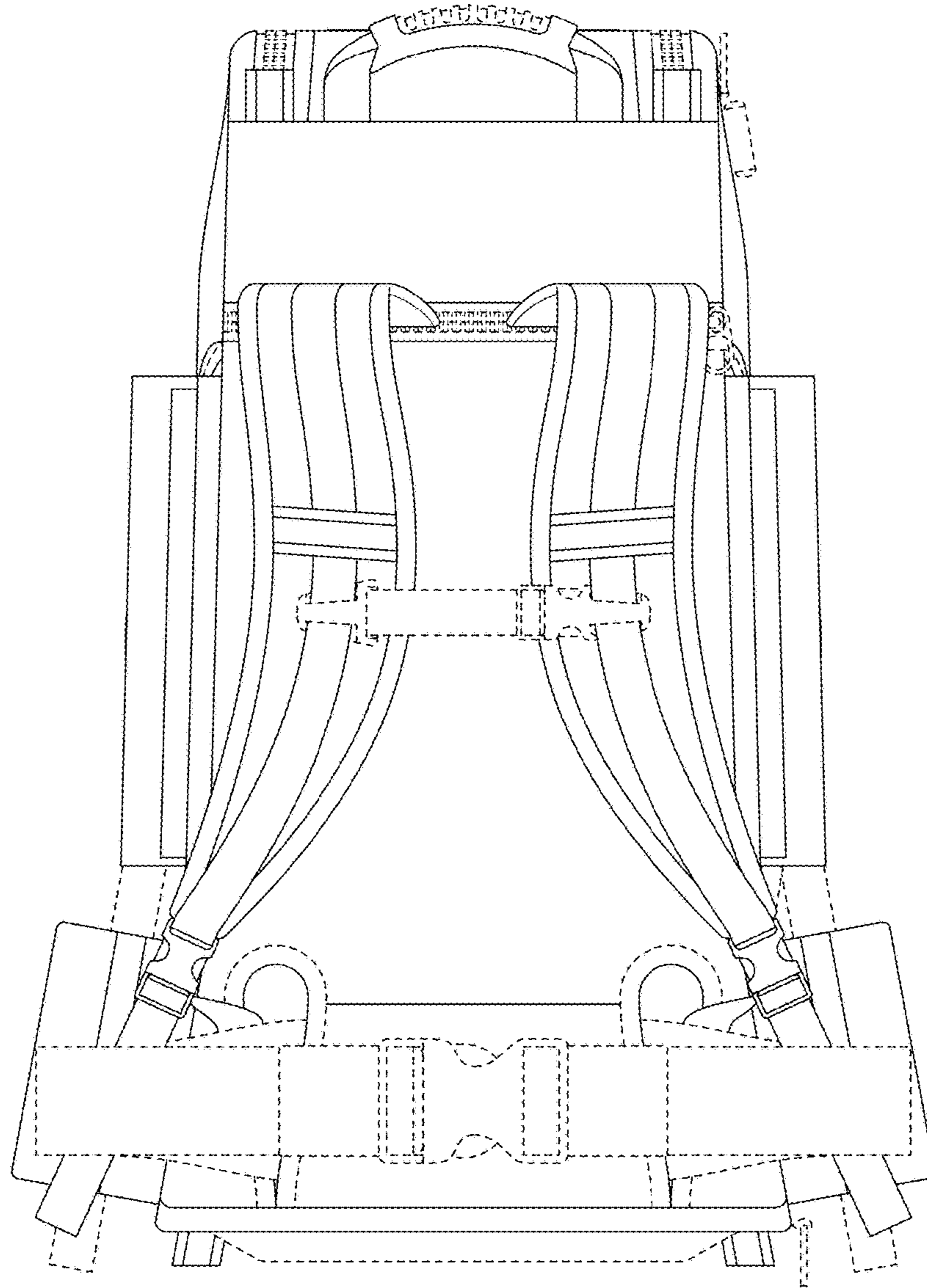


FIG. 12

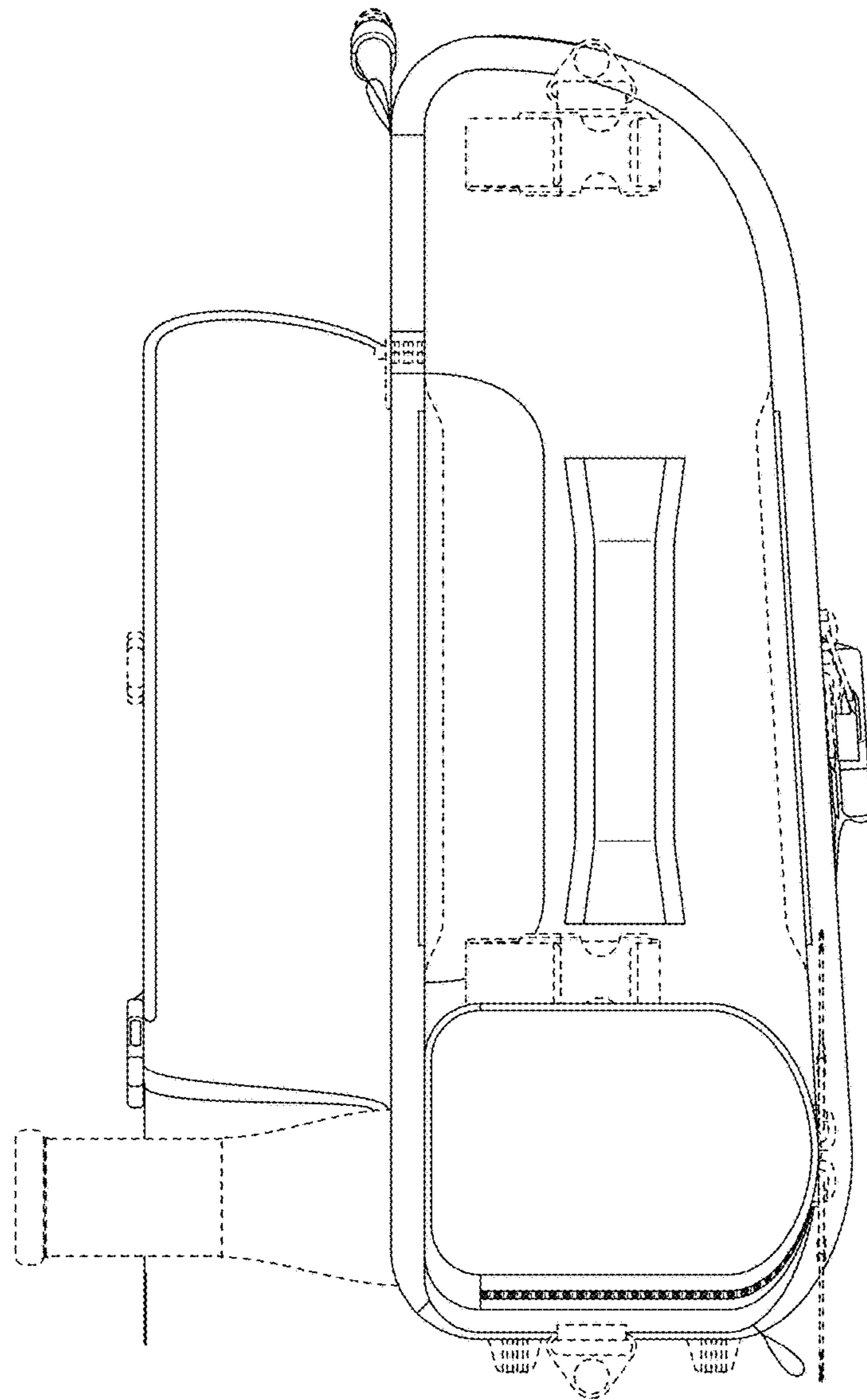


FIG. 13

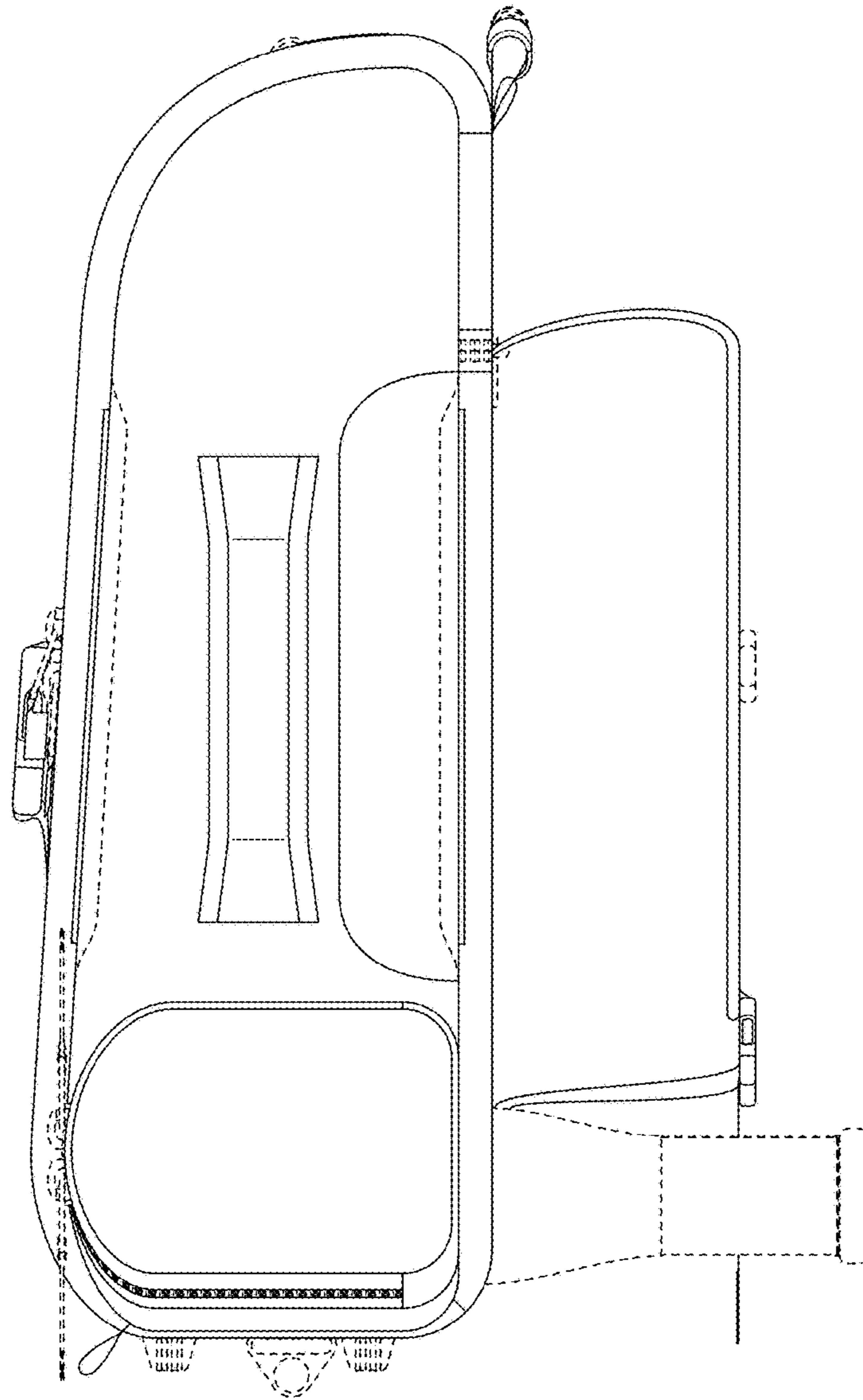


FIG. 14

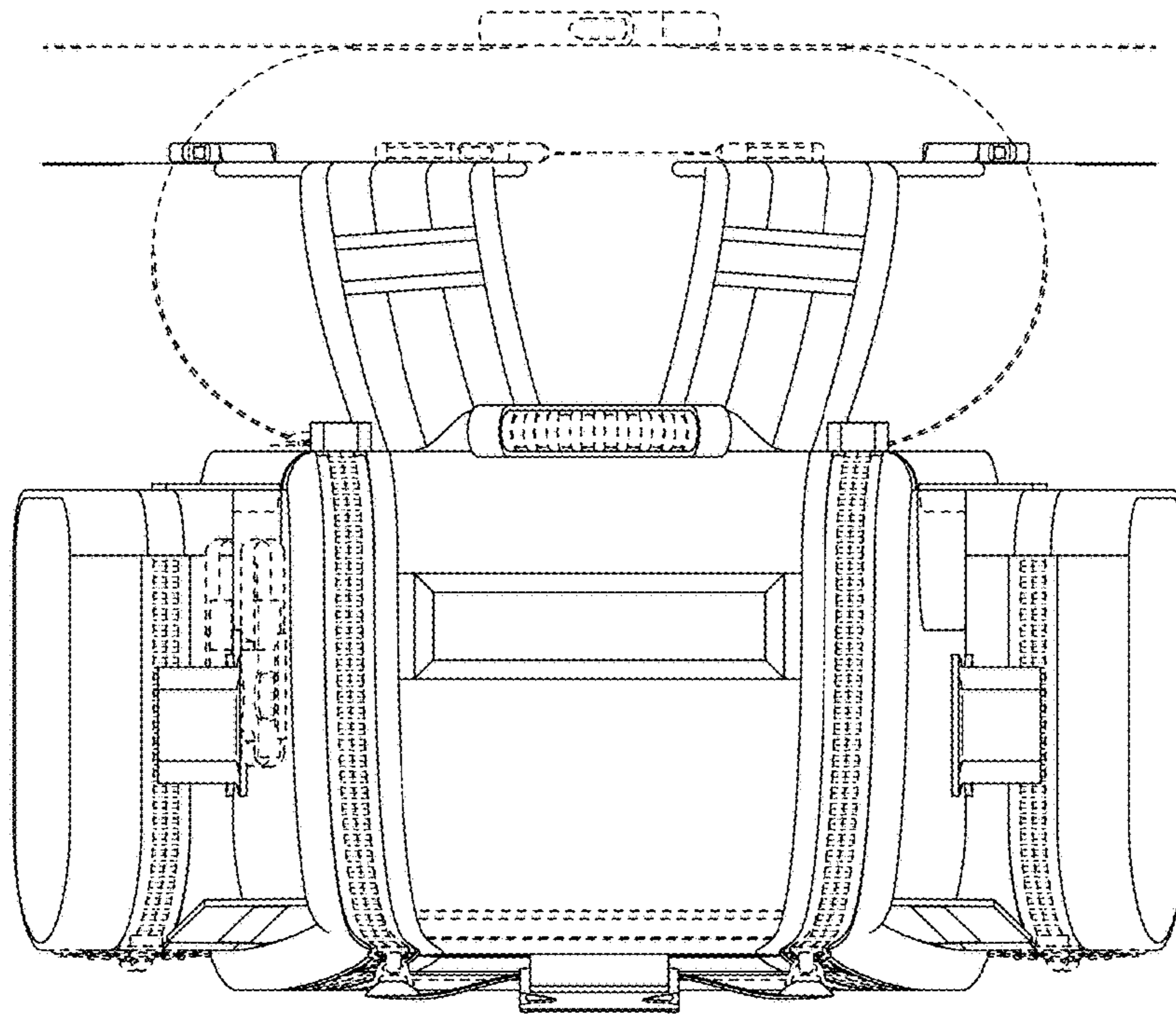


FIG. 15

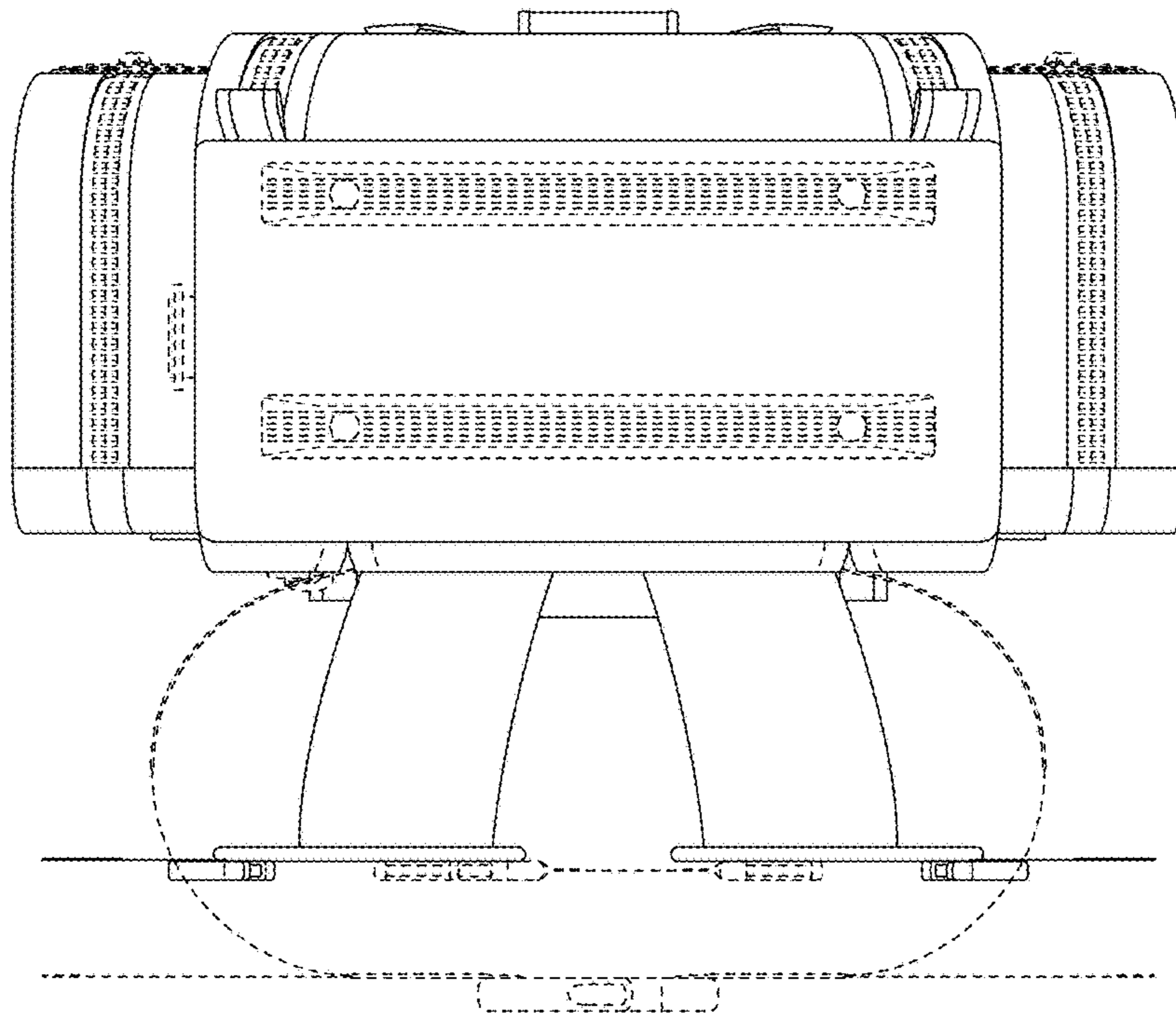


FIG. 16