



US00D845612S

(12) **United States Design Patent** (10) **Patent No.:** **US D845,612 S**
Amitai (45) **Date of Patent:** **** Apr. 16, 2019**

(54) **BOX FOR DENTAL TOOLS**
(71) Applicant: **Ditron Precision LTD**, Ashkelon (IL)
(72) Inventor: **Asaf Amitai**, Gedera (IL)
(73) Assignee: **DITRON PRECISION LTD**, Ashkelon (IL)
(**) Term: **15 Years**
(21) Appl. No.: **29/596,442**
(22) Filed: **Mar. 8, 2017**
(51) **LOC (11) Cl.** **03-01**
(52) **U.S. Cl.**
USPC **D3/203.1**
(58) **Field of Classification Search**
USPC D3/201, 203.1, 203.2, 203.3; D9/718, D9/745, 746; D24/176, 180, 227
CPC A61C 19/02; B65D 21/00; B65D 21/0209; B65D 21/0228
See application file for complete search history.

(56) **References Cited**
U.S. PATENT DOCUMENTS
1,385,484 A * 7/1921 Case B65D 21/00 220/4.27
2,514,573 A * 7/1950 Harrison B65D 21/00 206/508
4,327,060 A * 4/1982 Nisii A61C 3/04 206/210
4,930,636 A * 6/1990 Meadows B65D 21/0224 206/503
D361,432 S * 8/1995 Lotti D3/205
5,671,856 A * 9/1997 Lisch A01K 97/06 206/519
D444,702 S * 7/2001 Castleberry, II D9/746
D538,641 S * 3/2007 Limber D9/421
D621,603 S * 8/2010 Traylor D3/203.2
D643,209 S * 8/2011 Rein D3/203.1

D643,694 S * 8/2011 Lu D7/629
D696,079 S * 12/2013 Meyers D7/629
D697,431 S * 1/2014 Baker D9/524
D710,703 S * 8/2014 Marina D9/500
D712,268 S * 9/2014 Marina D9/500
D738,111 S * 9/2015 Otto D3/302
D740,029 S * 10/2015 Otto D3/302
9,318,934 B2 * 4/2016 Duesing H02K 11/0094
D761,022 S * 7/2016 Wang D3/293
D779,811 S * 2/2017 Van Lanschot D3/203.3
D801,546 S * 10/2017 Johansson D24/229
D804,963 S * 12/2017 Stuart D9/756
2004/0262306 A1 * 12/2004 Smith B65D 21/0228 220/4.26
2009/0229481 A1 * 9/2009 Patterson B41K 1/54 101/333
2012/0068557 A1 * 3/2012 Duesing H02K 5/08 310/43

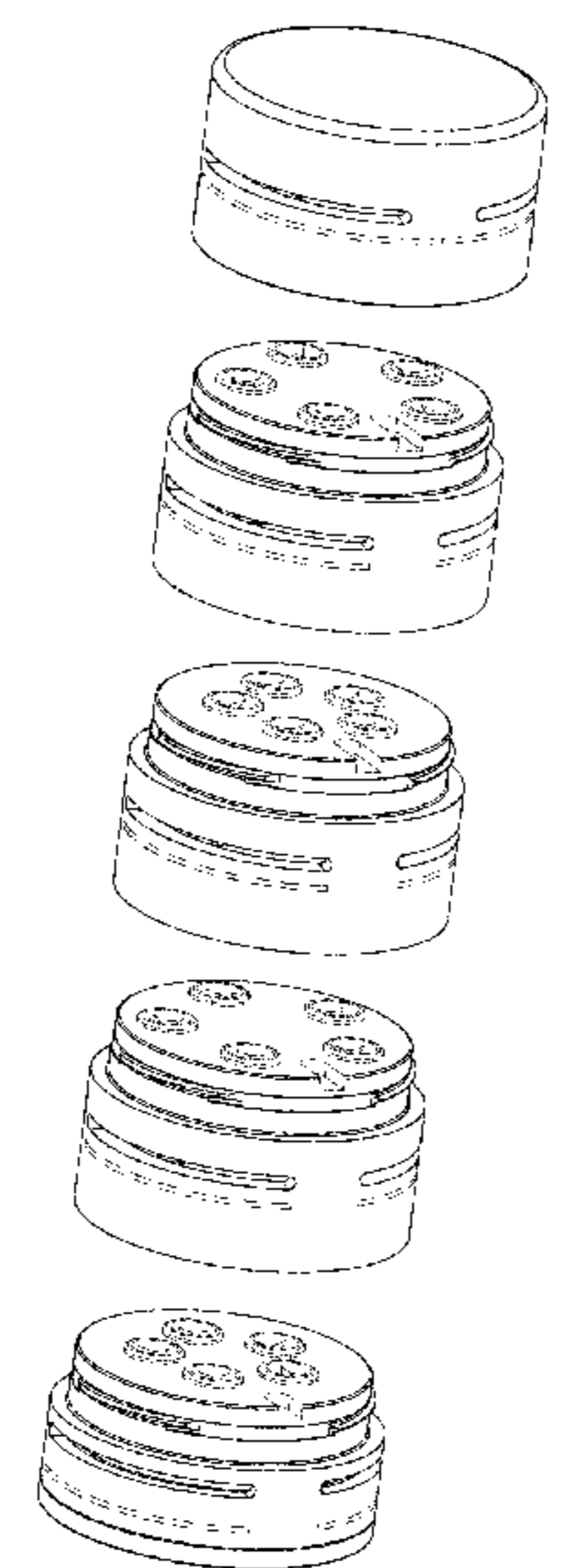
(Continued)

Primary Examiner — John Windmuller
Assistant Examiner — Steven J Czyz
(74) *Attorney, Agent, or Firm* — Tutunjian & Bitetto, P.C.

(57) **CLAIM**
The ornamental design for a box for dental tools, as shown and described.

DESCRIPTION
FIG. 1 is an exploded view of a box for dental tools, showing my new design;
FIG. 2 is a perspective view of the box for dental tools, shown in a compact state;
FIG. 3 is a front view thereof;
FIG. 4 is a rear view thereof;
FIG. 5 is a left side view thereof;
FIG. 6 is a right side view thereof;
FIG. 7 is a top view thereof; and,
FIG. 8 is a bottom view thereof.
The broken lines depict portions of the article that form no part of the claimed design.

1 Claim, 5 Drawing Sheets



(56)

References Cited

U.S. PATENT DOCUMENTS

2014/0069917 A1* 3/2014 Meyers B65D 21/022
220/23.88
2014/0360908 A1* 12/2014 Sorensen B65D 21/0228
206/501
2016/0288952 A1* 10/2016 Danielson A61J 7/0084
2016/0368661 A1* 12/2016 Moore B65D 21/0228

* cited by examiner

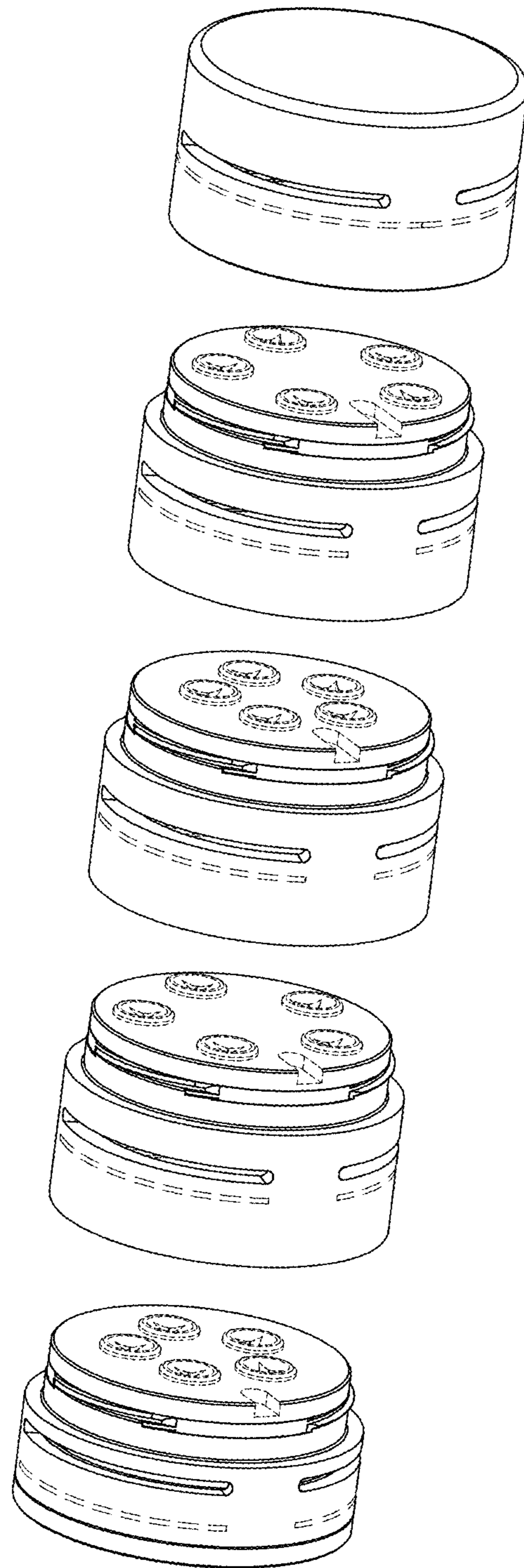


FIG.1

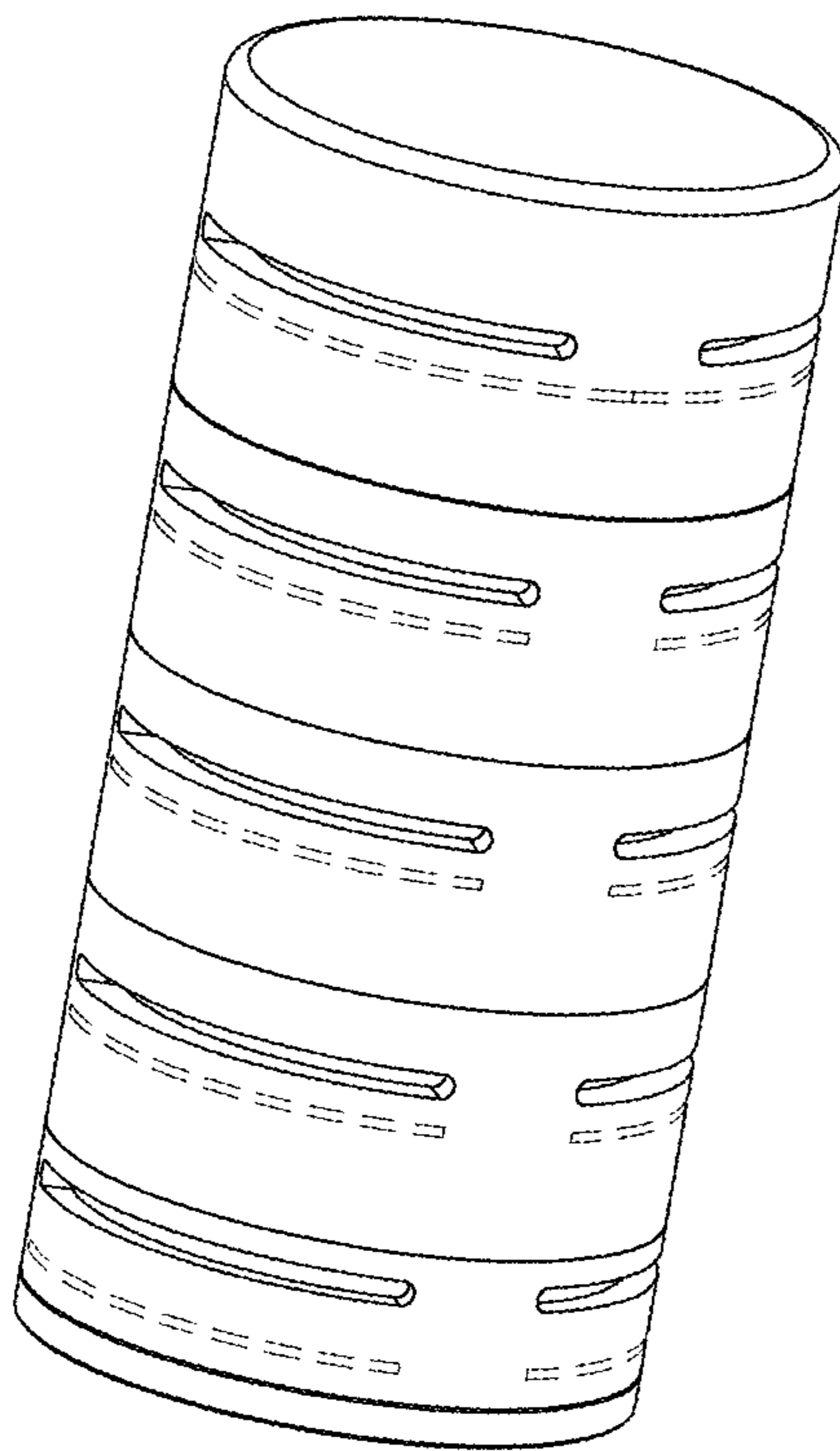


FIG.2

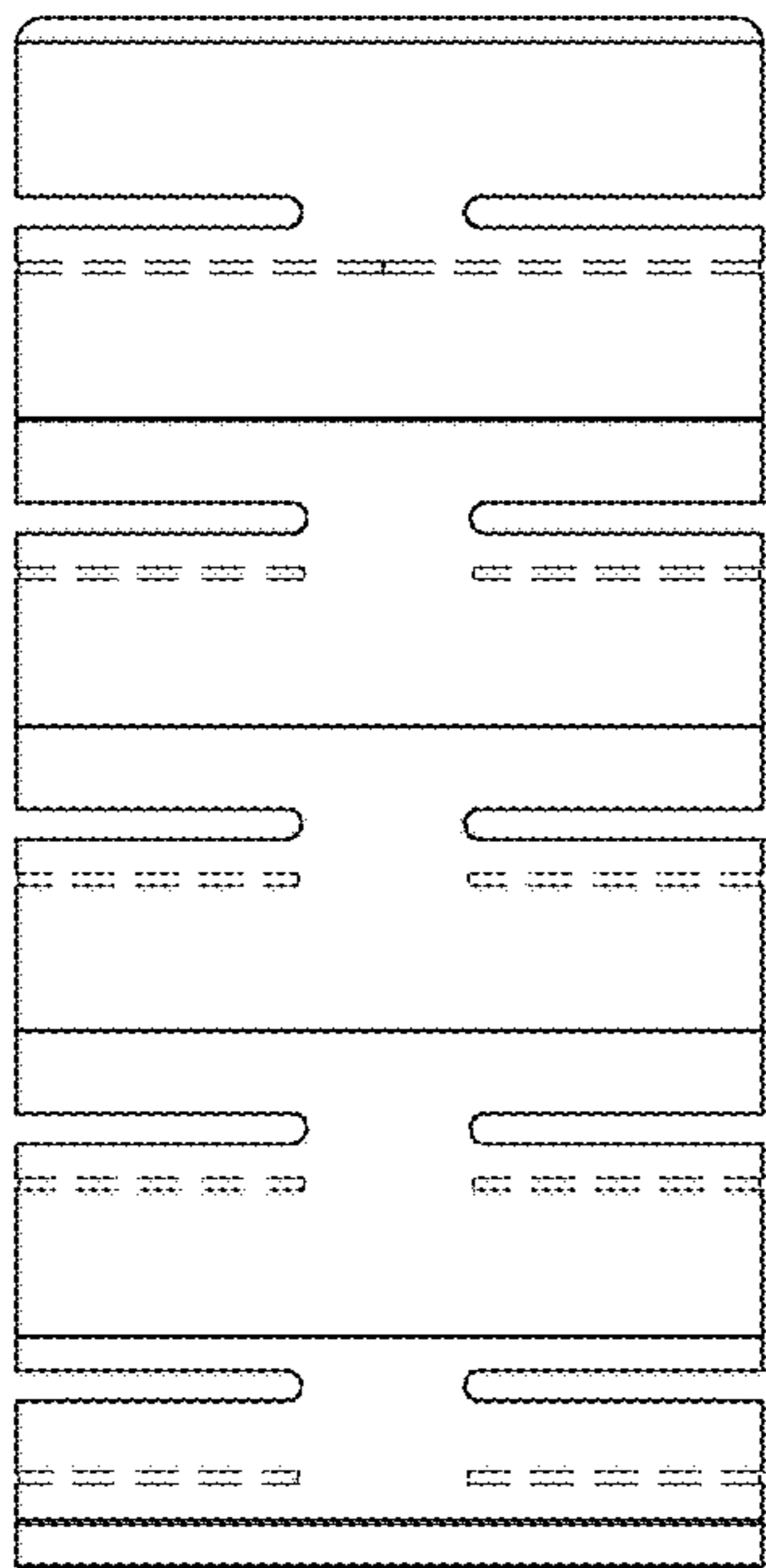


FIG. 3

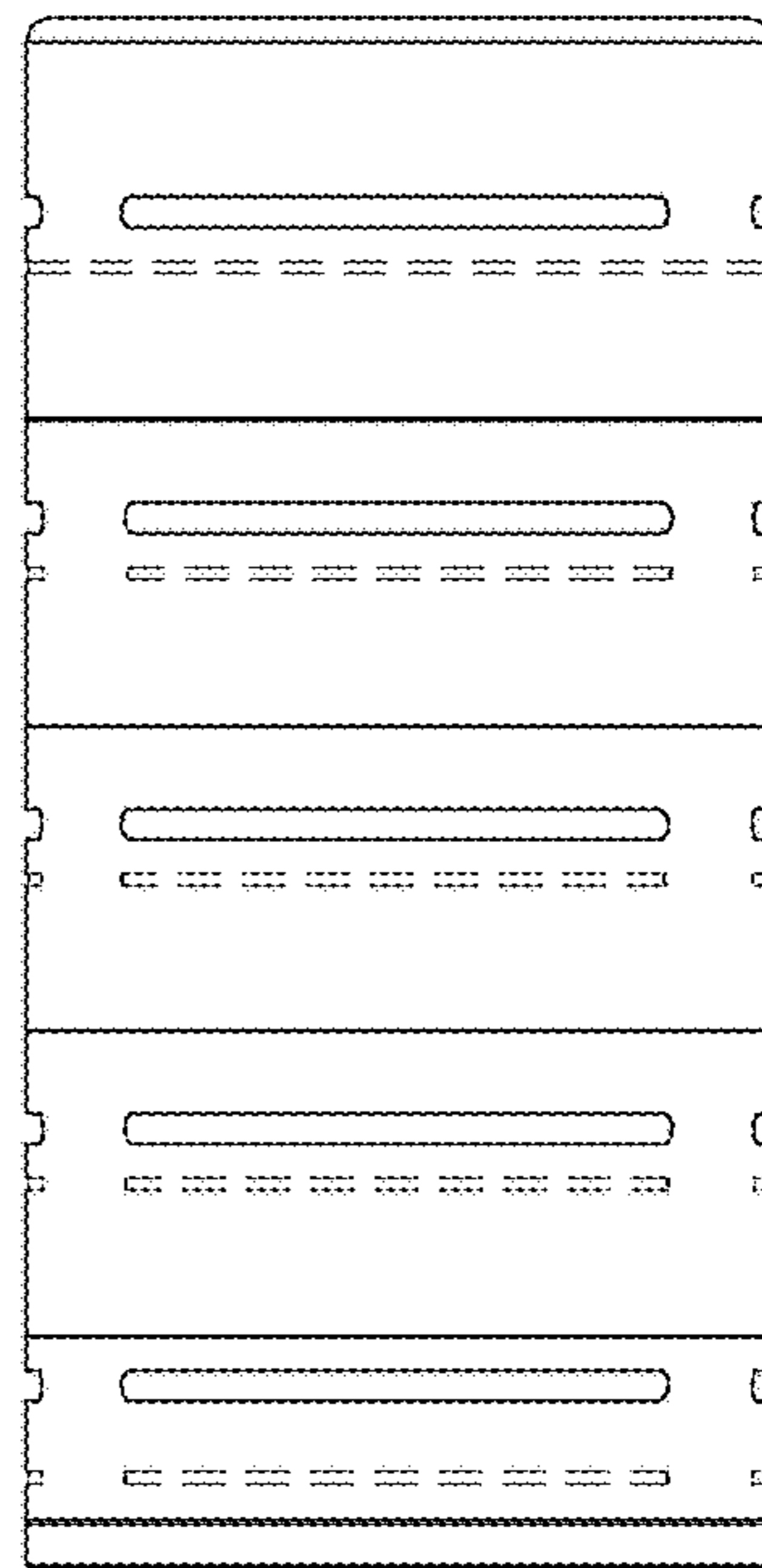


FIG. 4

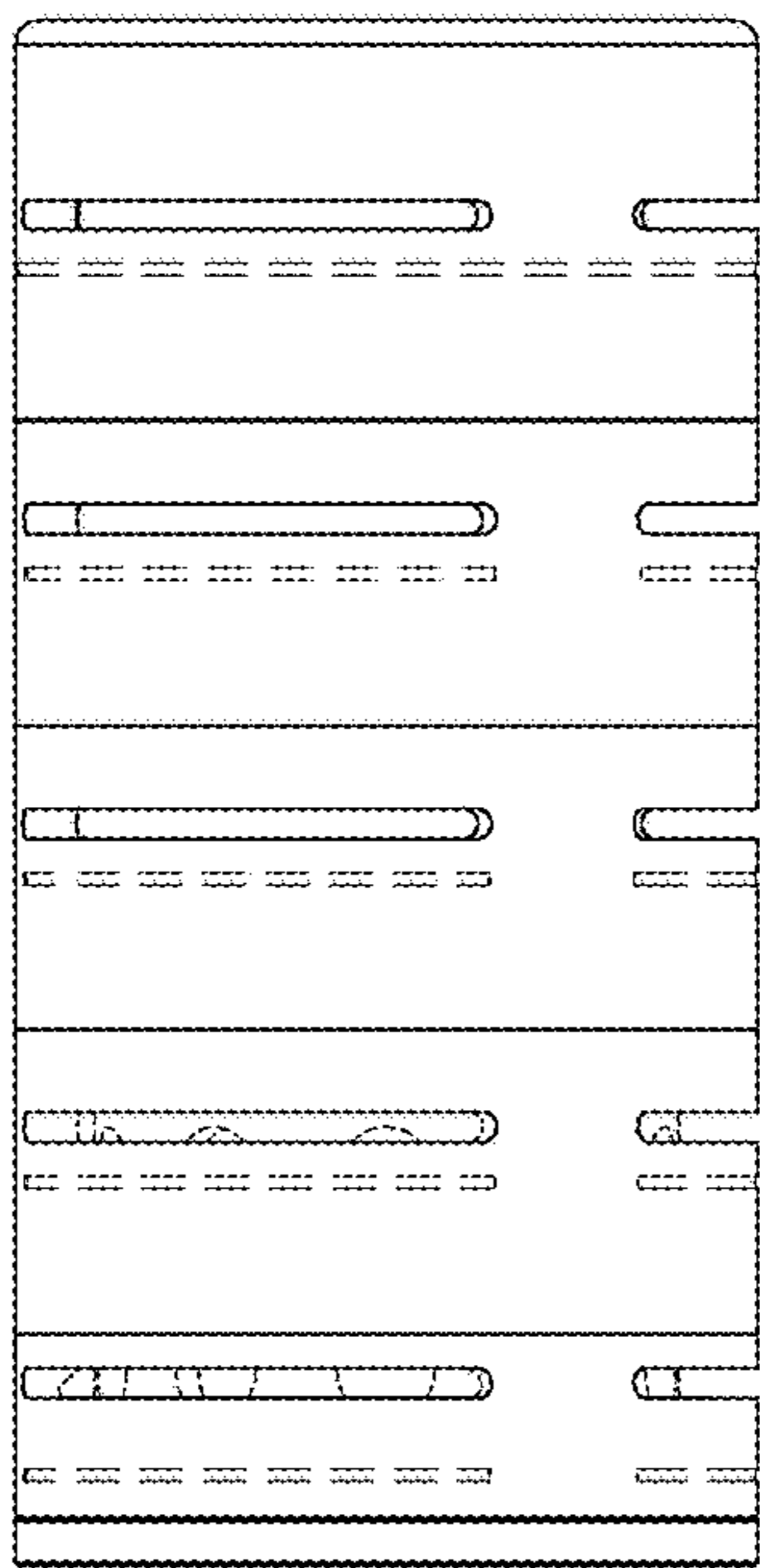


FIG. 5

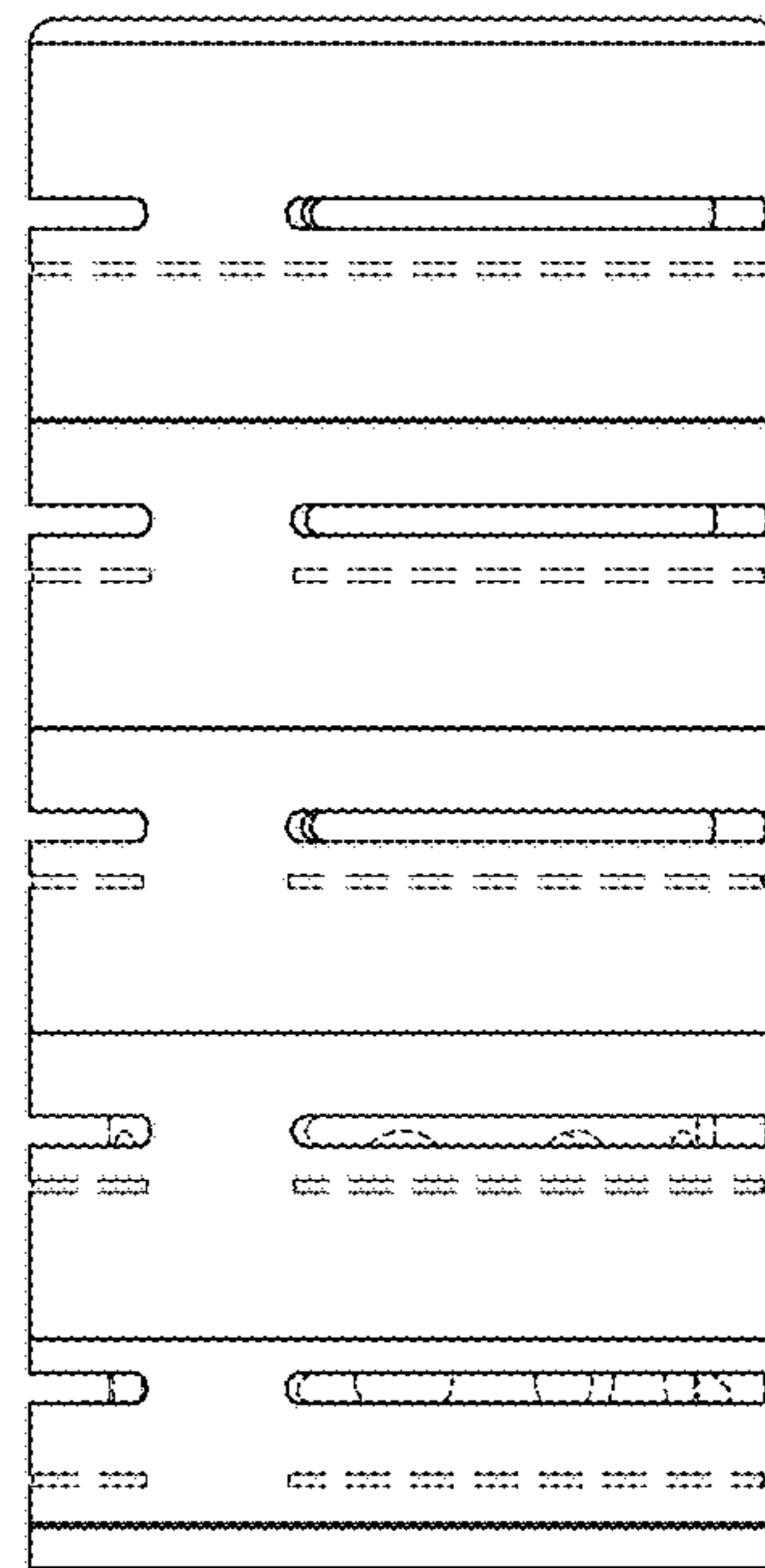


FIG. 6

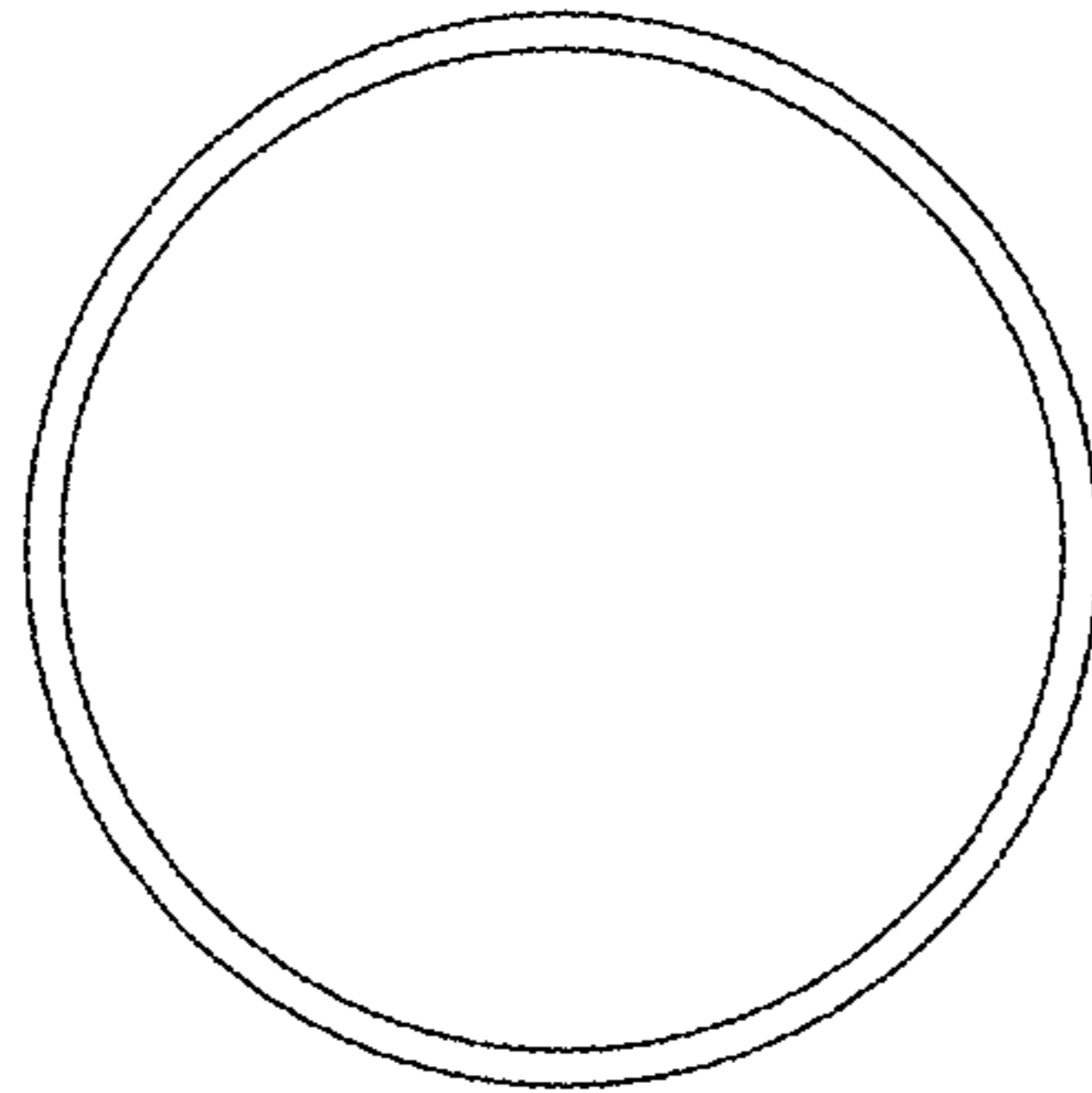


FIG. 7

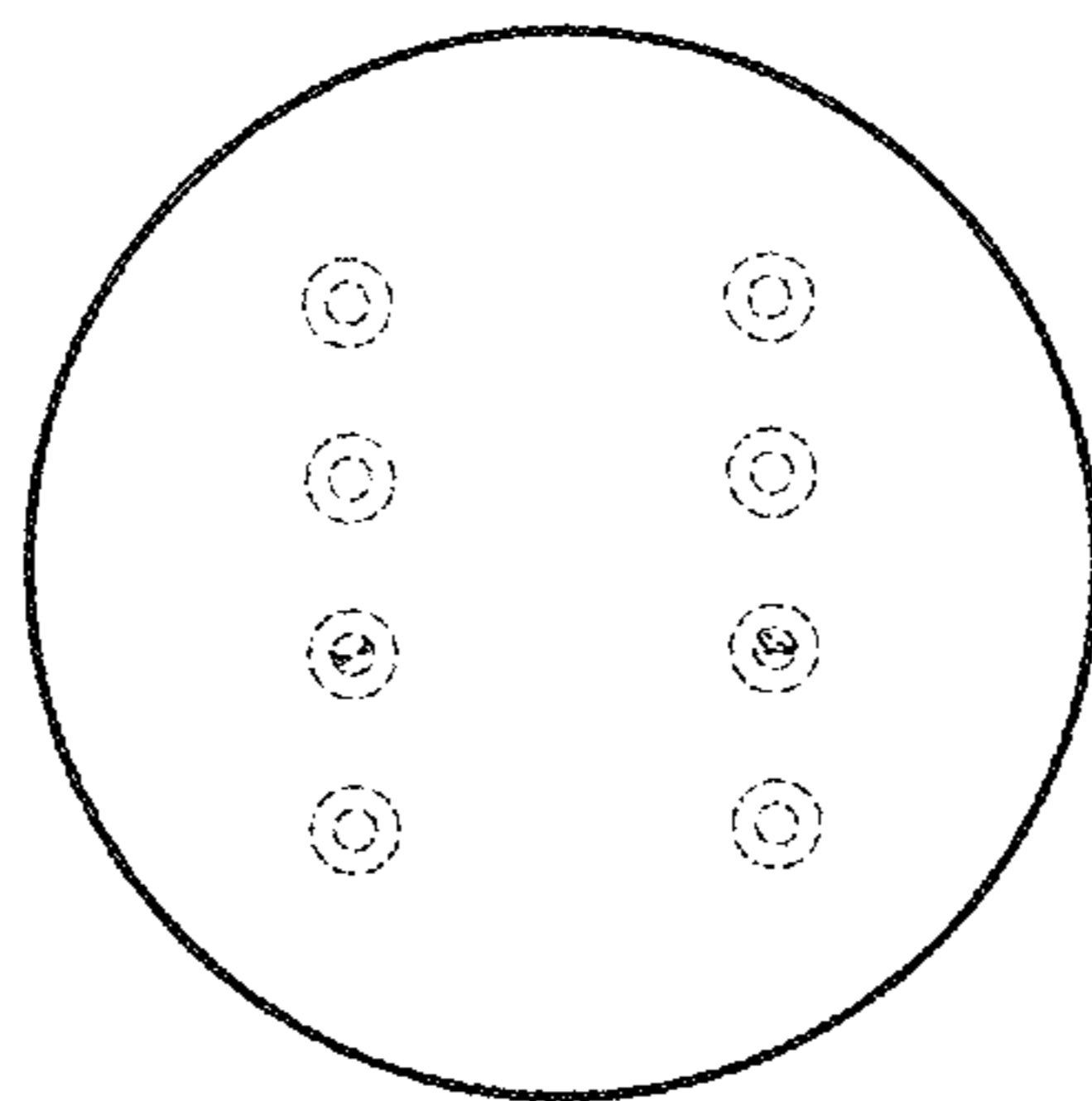


FIG. 8