



US00D845593S

(12) **United States Design Patent**  
**Wurtz**

(10) **Patent No.:** **US D845,593 S**  
(45) **Date of Patent:** **\*\* Apr. 16, 2019**

- (54) **BACK STRAP MASSAGE SANDAL**
- (71) Applicant: **Jacob Wurtz**, Largo, FL (US)
- (72) Inventor: **Jacob Wurtz**, Largo, FL (US)
- (73) Assignee: **Health Shoes Plus, Inc.**, Largo, FL (US)
- (\*\*) Term: **15 Years**

5,992,055	A	11/1999	Connor	
6,675,501	B2	1/2004	Pfander	
D614,836	S *	5/2010	Kay	D2/914
D696,500	S *	12/2013	Hunt	D2/916
D734,011	S *	7/2015	Lu	A43B 7/141 D2/961
9,192,205	B2 *	11/2015	McDowell	A43B 3/108
9,254,591	B2	2/2016	Fox	
D753,381	S *	4/2016	Ostapenko	D2/947
D779,806	S *	2/2017	Mokos	D2/947
D792,684	S *	7/2017	Gurt	D2/916

- (21) Appl. No.: **29/654,453**
- (22) Filed: **Jun. 25, 2018**
- (51) **LOC (11) Cl.** ..... **02-04**
- (52) **U.S. Cl.**  
USPC ..... **D2/916; D2/951; D2/953**
- (58) **Field of Classification Search**  
USPC ..... D2/896-900, 916-925, 940, 943, 946,  
D2/950-953, 961  
CPC .. A43B 3/12; A43B 3/10; A43B 3/122; A43B  
23/25  
See application file for complete search history.

(56) **References Cited**

**U.S. PATENT DOCUMENTS**

2,377,119	A *	5/1945	Amenta	A43B 3/126 36/11.5
3,589,037	A	6/1971	Gallagher	
3,722,113	A *	3/1973	Birkenstock	A43B 7/141 36/11.5
D250,738	S	1/1979	Foldes	
D251,216	S	3/1979	Krippelz	
D278,571	S	4/1985	Eber	
D281,735	S	12/1985	Seltzer	
D292,441	S	10/1987	Gamm	
D306,930	S *	4/1990	Combs	D2/916
D353,038	S *	12/1994	Morris	D2/916
D373,013	S	8/1996	Rosetta	
D375,615	S *	11/1996	McDonald	D2/916
D376,895	S	12/1996	Cook	
5,930,916	A	8/1999	Connor	
D414,019	S *	9/1999	Kang	D2/916

**OTHER PUBLICATIONS**

Images of Trademark registration No. 3362452 for KENKOH filed on Jan. 12, 2006—see attached.

\* cited by examiner

*Primary Examiner* — Holly H Baynham

*Assistant Examiner* — Rashida C Walshon

(74) *Attorney, Agent, or Firm* — Larson & Larson, P.A.;  
Justin P. Miller; Frank Liebenow

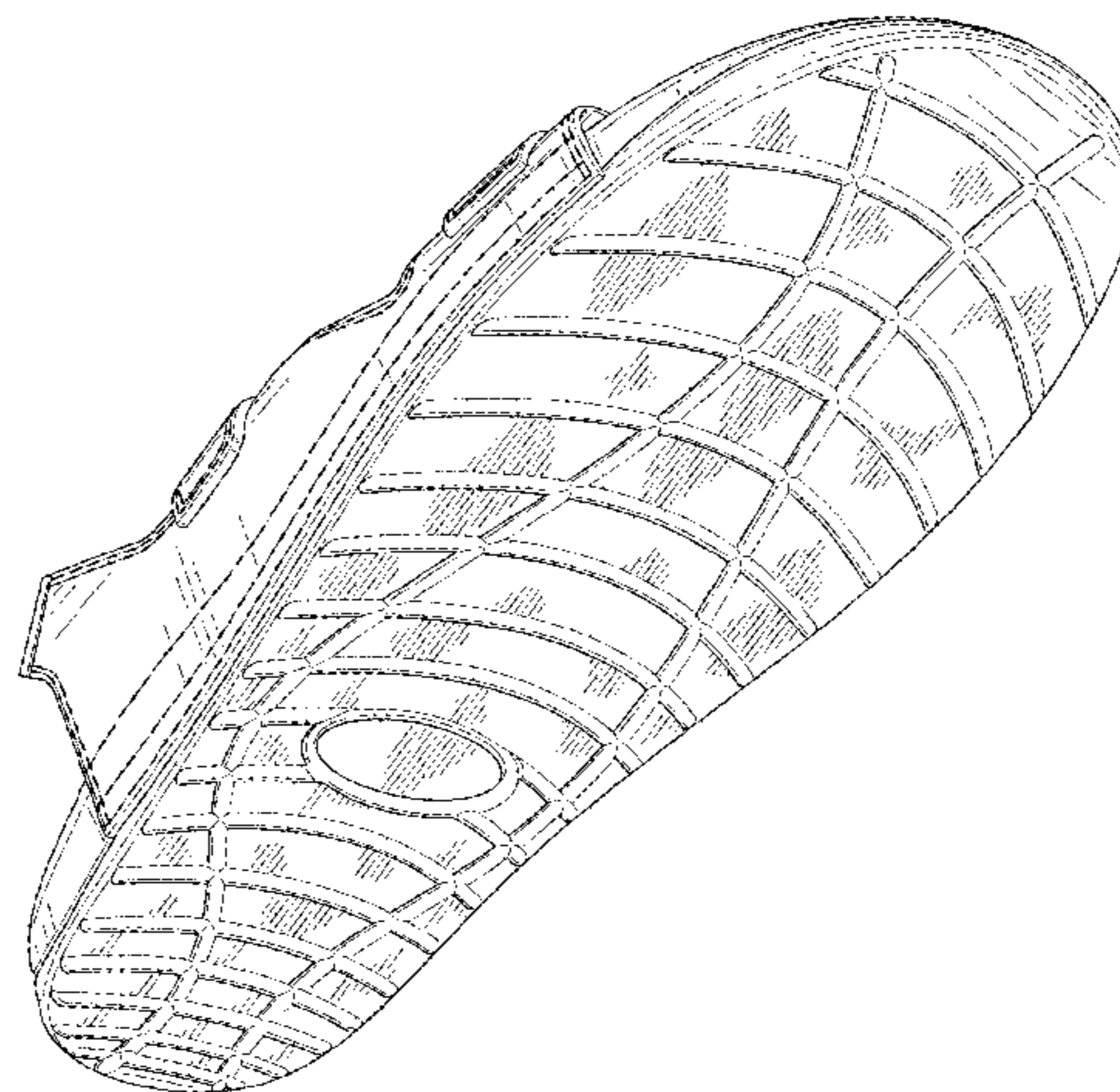
(57) **CLAIM**

I claim the ornamental design for a back strap massage sandal, as shown and described.

**DESCRIPTION**

FIG. 1 is a perspective view of a back strap massage sandal showing my new design;  
FIG. 2 is a bottom perspective view thereof;  
FIG. 3 is a front elevation view thereof;  
FIG. 4 is a back elevation is a view thereof;  
FIG. 5 is a right-side elevation view thereof;  
FIG. 6 is a left-side elevation view thereof;  
FIG. 7 is a top plan view thereof;  
FIG. 8 is a bottom plan view thereof; and,  
FIG. 9 is a perspective view of the back strap massage sandal, showing the footbed alone and the upper sandal straps removed for clarity of disclosure.

**1 Claim, 7 Drawing Sheets**



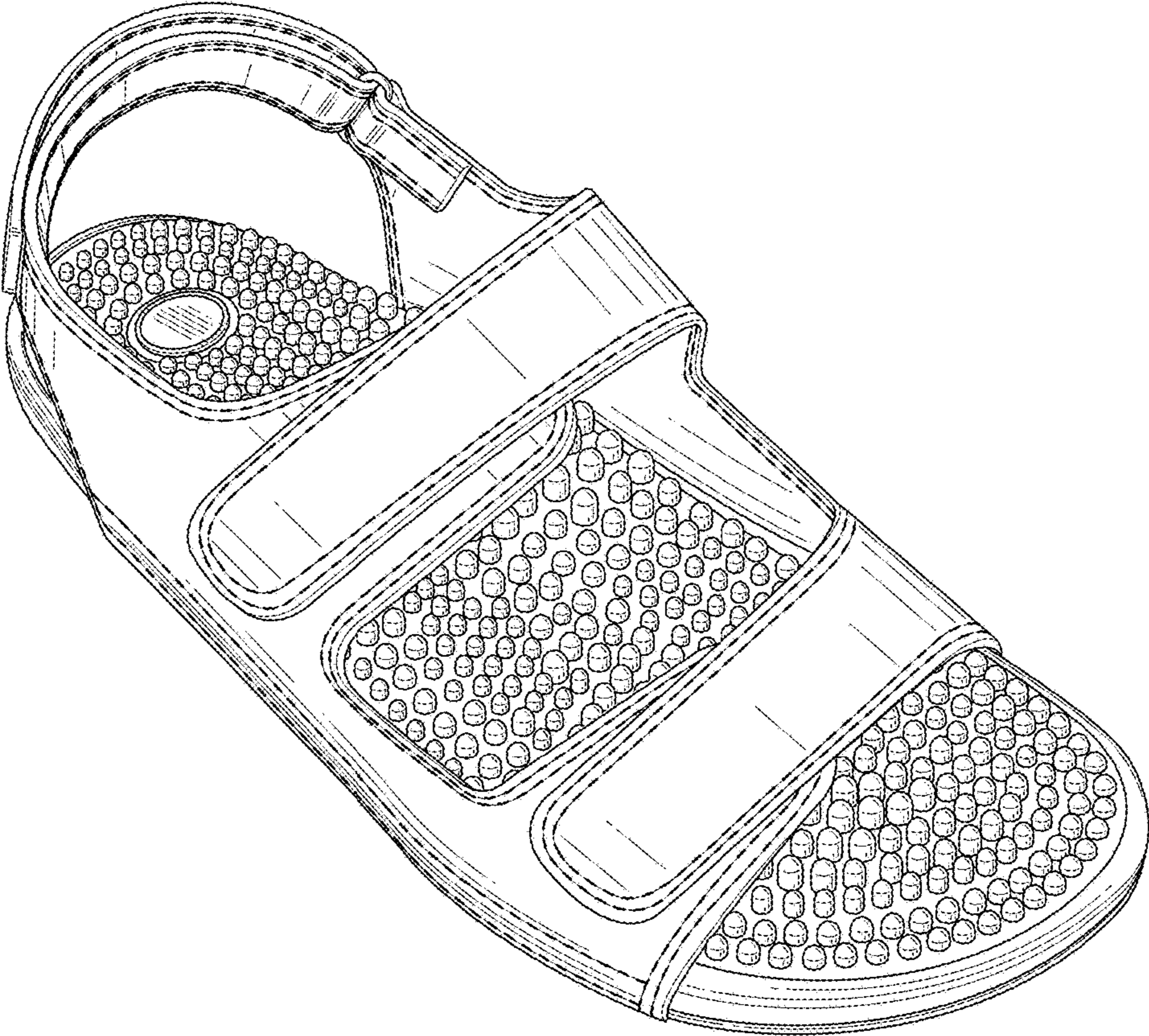


FIG. 1

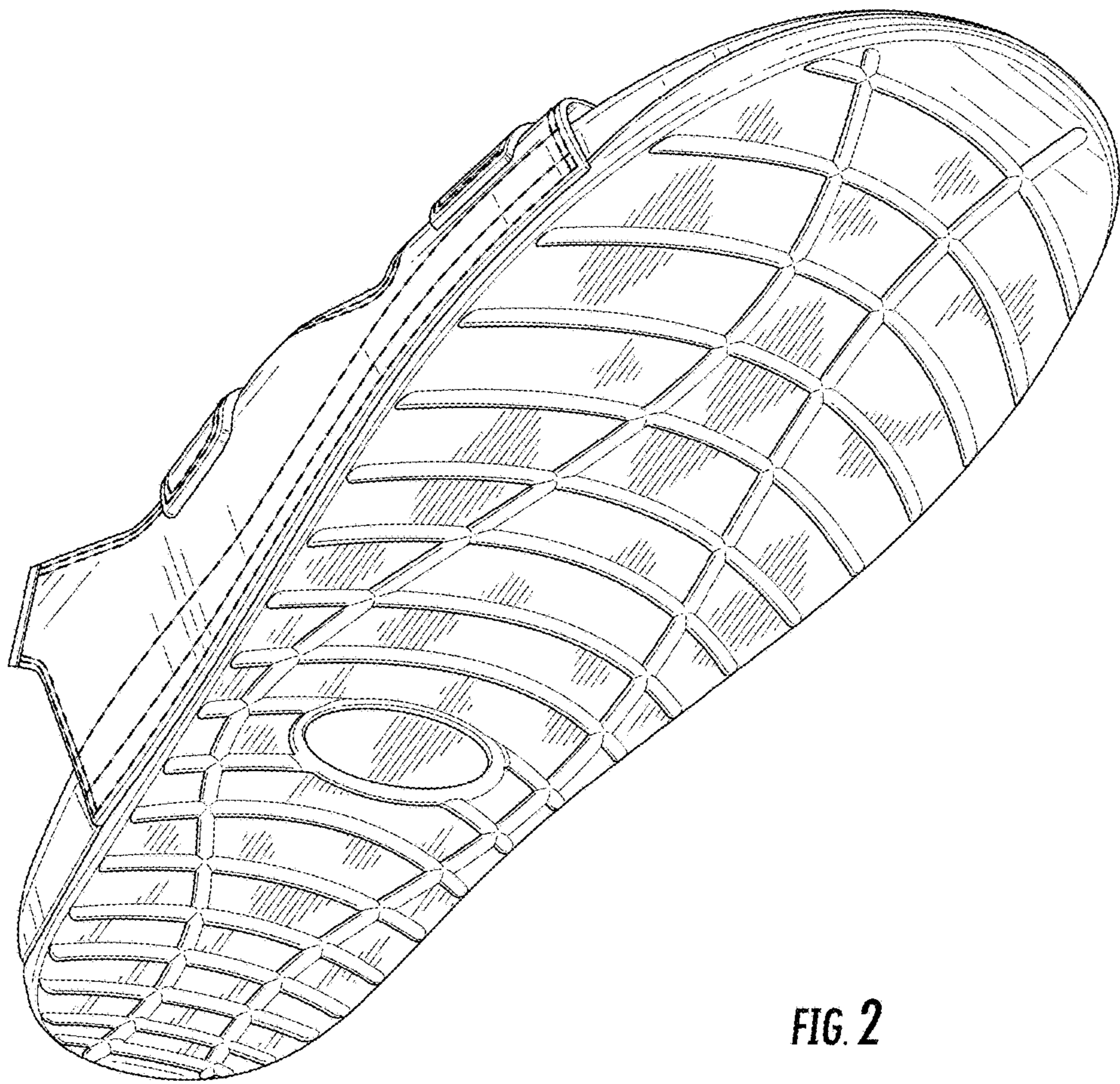


FIG. 2

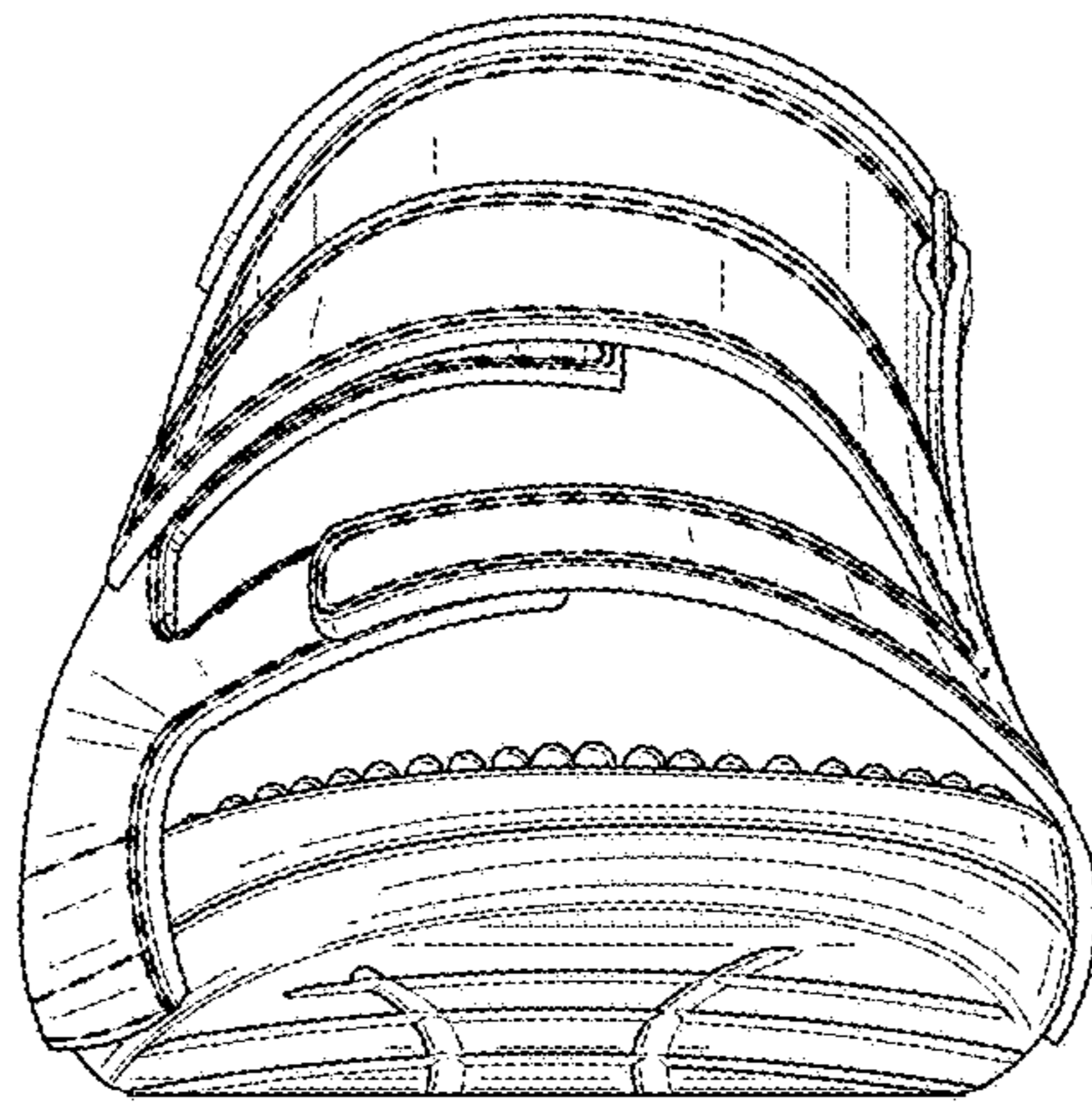


FIG. 3

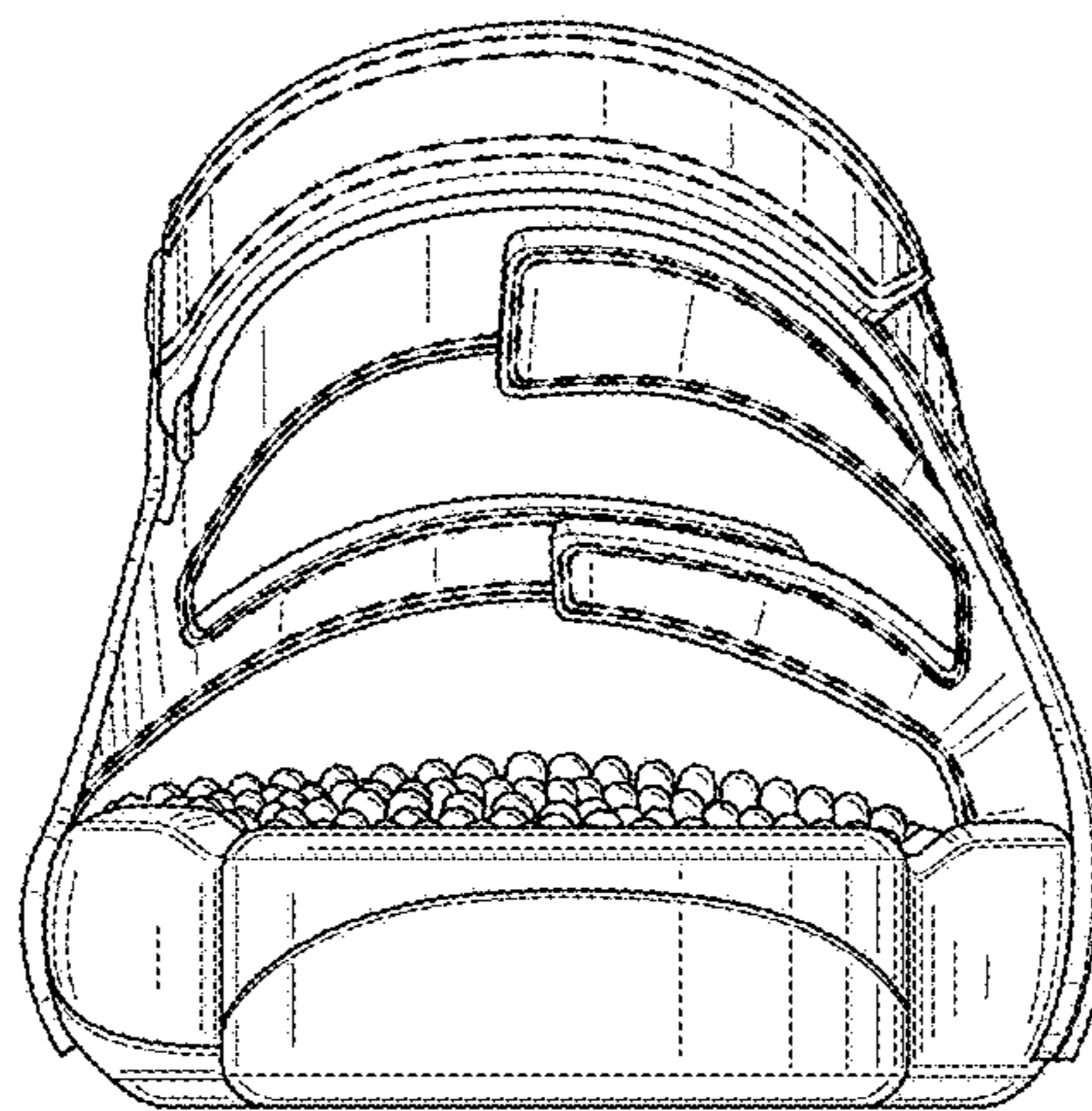


FIG. 4

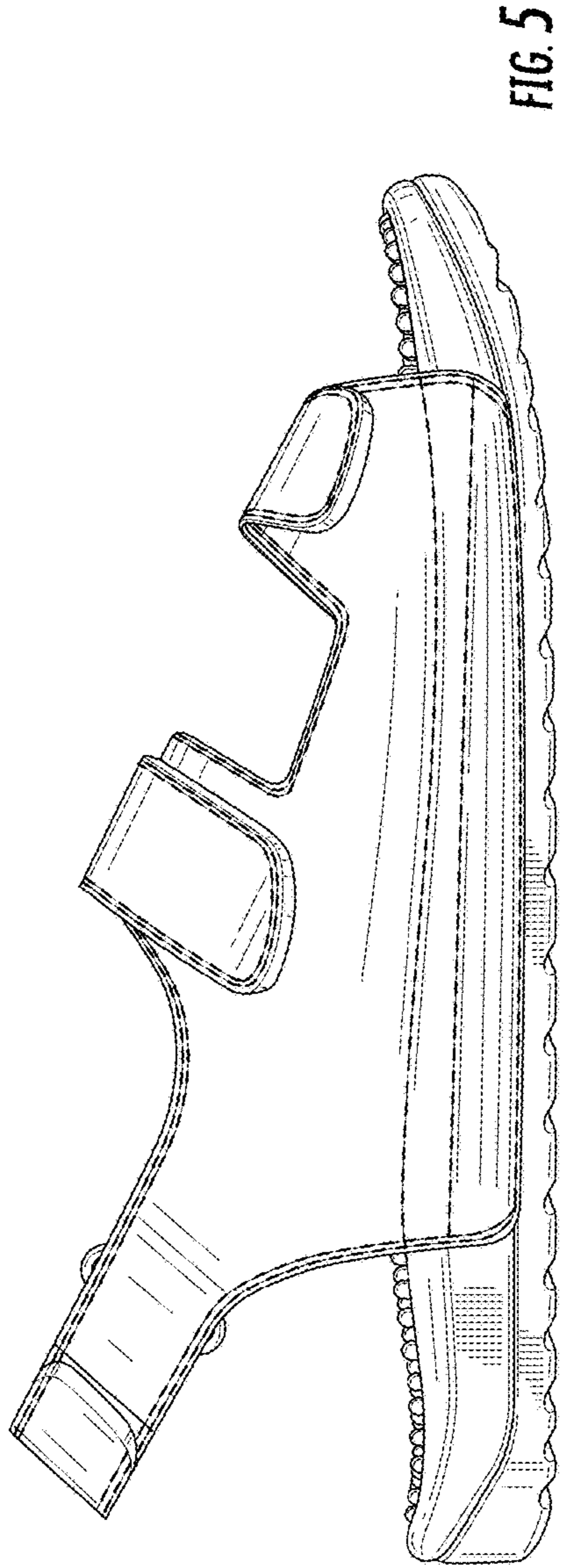


FIG. 5

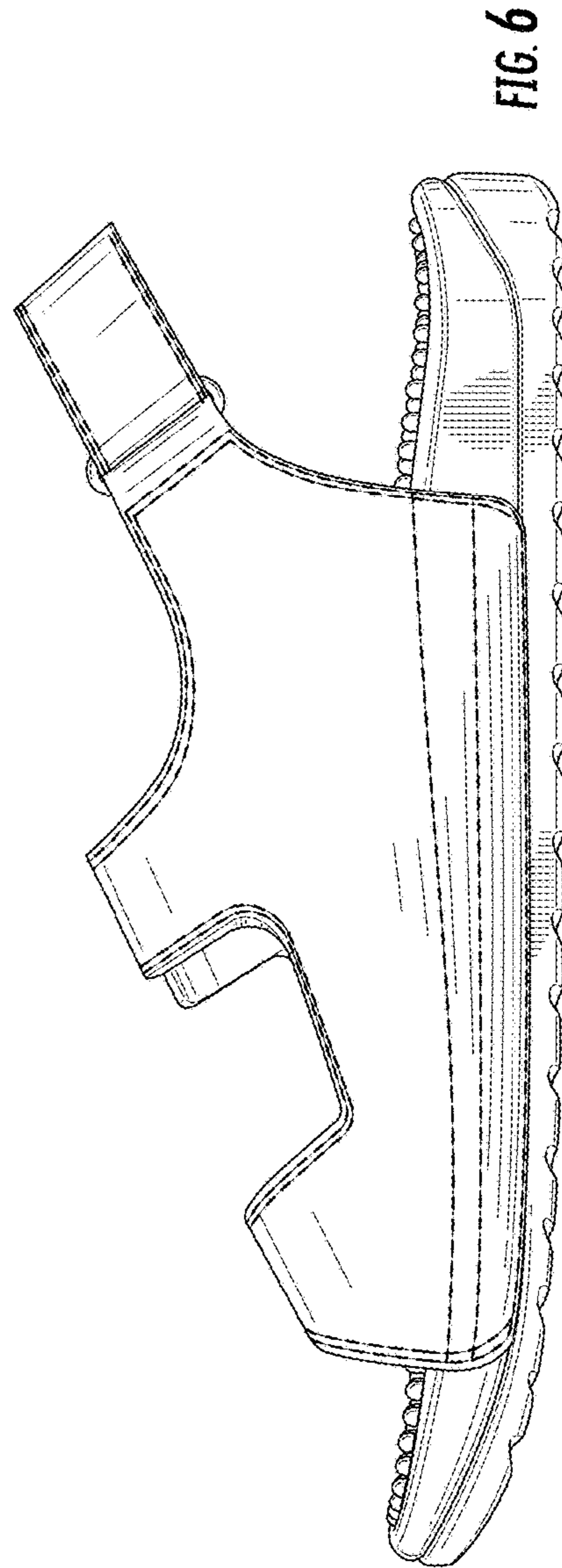


FIG. 6

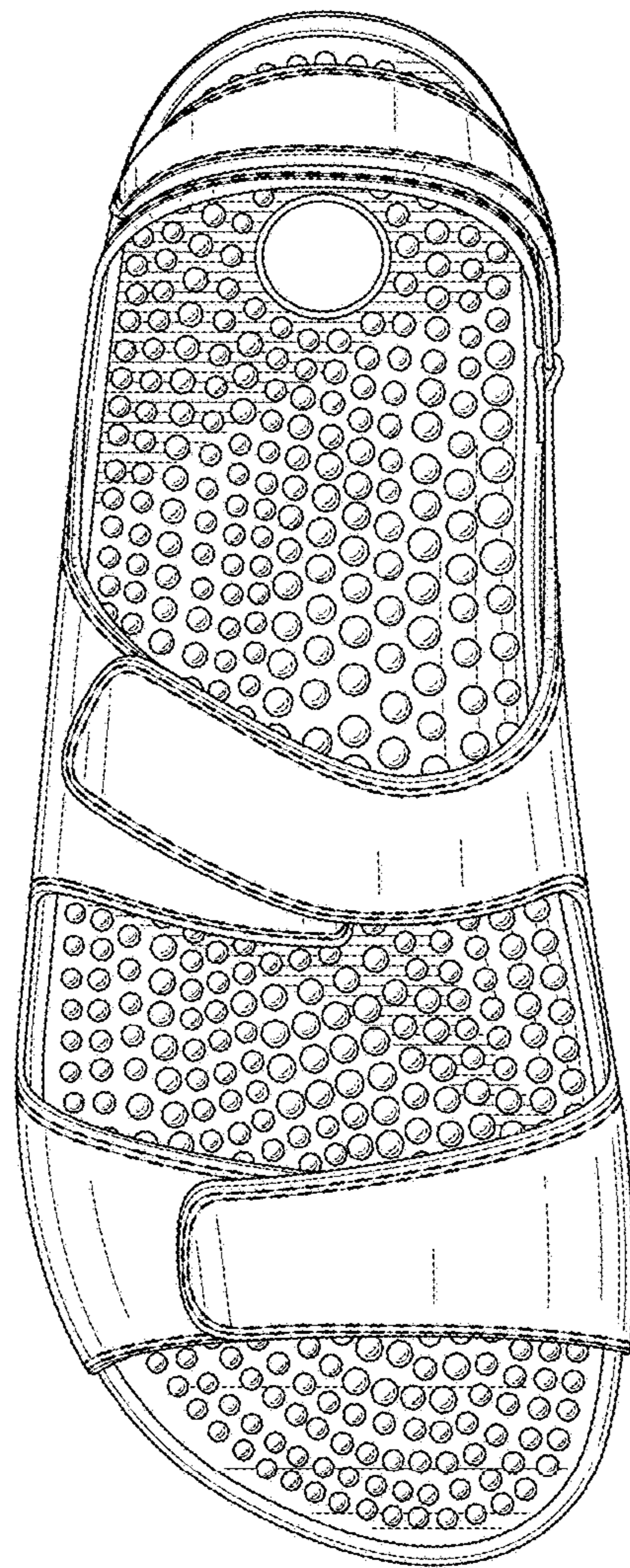


FIG. 7

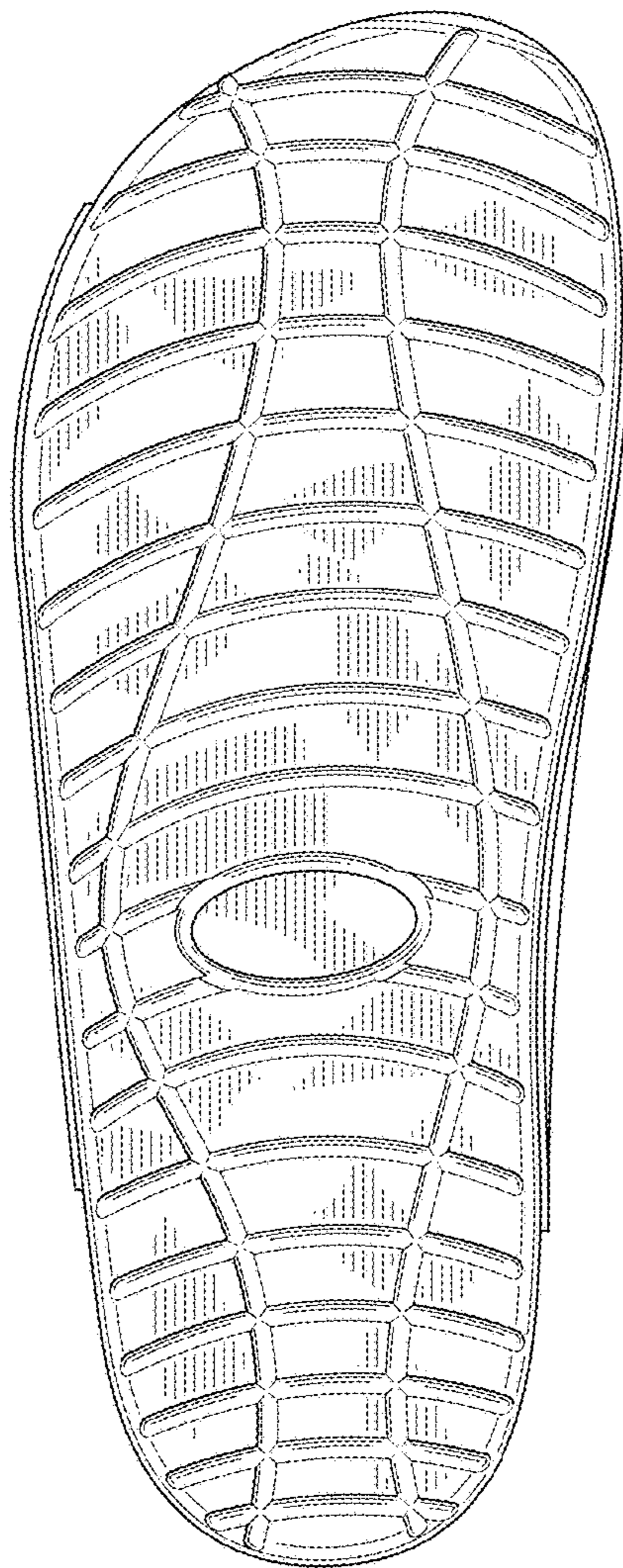


FIG. 8

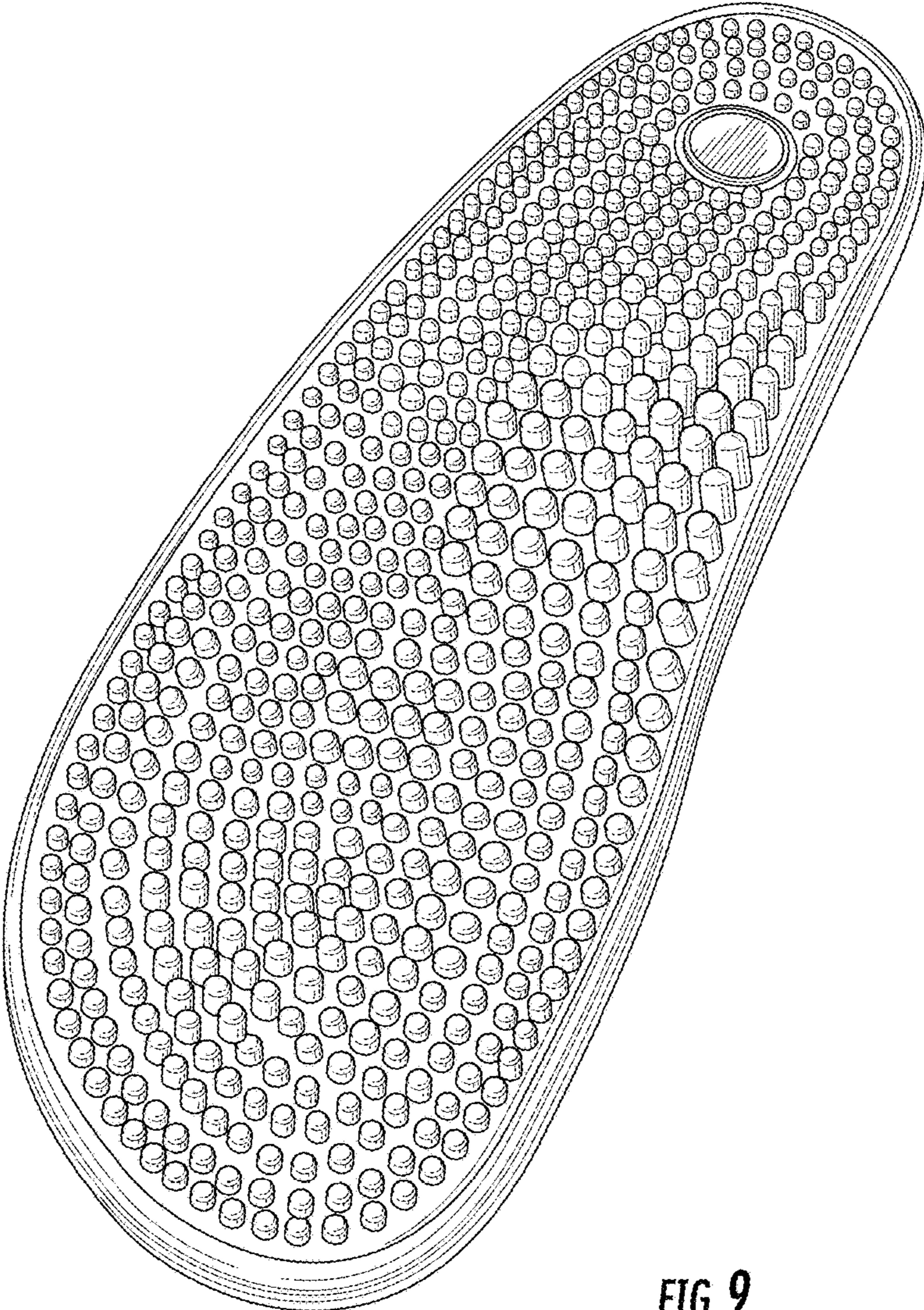


FIG. 9