



US00D845590S

(12) **United States Design Patent** (10) **Patent No.:** **US D845,590 S**
Jones (45) **Date of Patent:** **** Apr. 16, 2019**

(54) **BABY BIB**
(71) Applicant: **Jordan Jones**, Mount Vernon, NY (US)
(72) Inventor: **Jordan Jones**, Mount Vernon, NY (US)
(**) Term: **15 Years**
(21) Appl. No.: **29/622,295**
(22) Filed: **Oct. 16, 2017**
(51) **LOC (11) Cl.** **02-02**
(52) **U.S. Cl.**
USPC **D2/861**
(58) **Field of Classification Search**
USPC D2/860, 861, 864
See application file for complete search history.

(56) **References Cited**

U.S. PATENT DOCUMENTS

1,391,121 A * 9/1921 Keppel A41D 13/04
2/49.5
2,250,887 A * 7/1941 Brown A41B 13/10
2/49.2
2,648,845 A * 8/1953 Berman A41B 13/10
2/48
4,569,086 A * 2/1986 Takefman A41B 13/103
2/49.2
4,924,527 A * 5/1990 Hintermeyer A41B 13/103
2/46
5,107,545 A * 4/1992 Potter A41D 13/0012
2/46
5,220,692 A * 6/1993 Cox A41D 13/04
2/46
5,671,479 A * 9/1997 Dedrick A41B 13/10
2/255
D416,663 S * 11/1999 Thomas D2/860

6,122,771 A * 9/2000 Cook A41B 13/10
2/48
6,209,133 B1 * 4/2001 Hinshaw A41B 13/103
2/49.1
6,490,731 B1 * 12/2002 Hyatt A41B 13/103
2/49.1
D578,738 S * 10/2008 Boyd, Sr. D2/861
D702,420 S * 4/2014 Adler D2/861
9,125,438 B2 * 9/2015 Adler A41B 13/103
10,051,899 B2 * 8/2018 Campbell A41D 13/04
2013/0086725 A1 * 4/2013 Sabre A41B 13/10
2/49.2
2018/0049487 A1 * 2/2018 Blackshear A41D 13/04

* cited by examiner

Primary Examiner — Kevin K Rudzinski

(74) *Attorney, Agent, or Firm* — Duncan Galloway Egan Greenwald PLLC; Theresa Camoriano

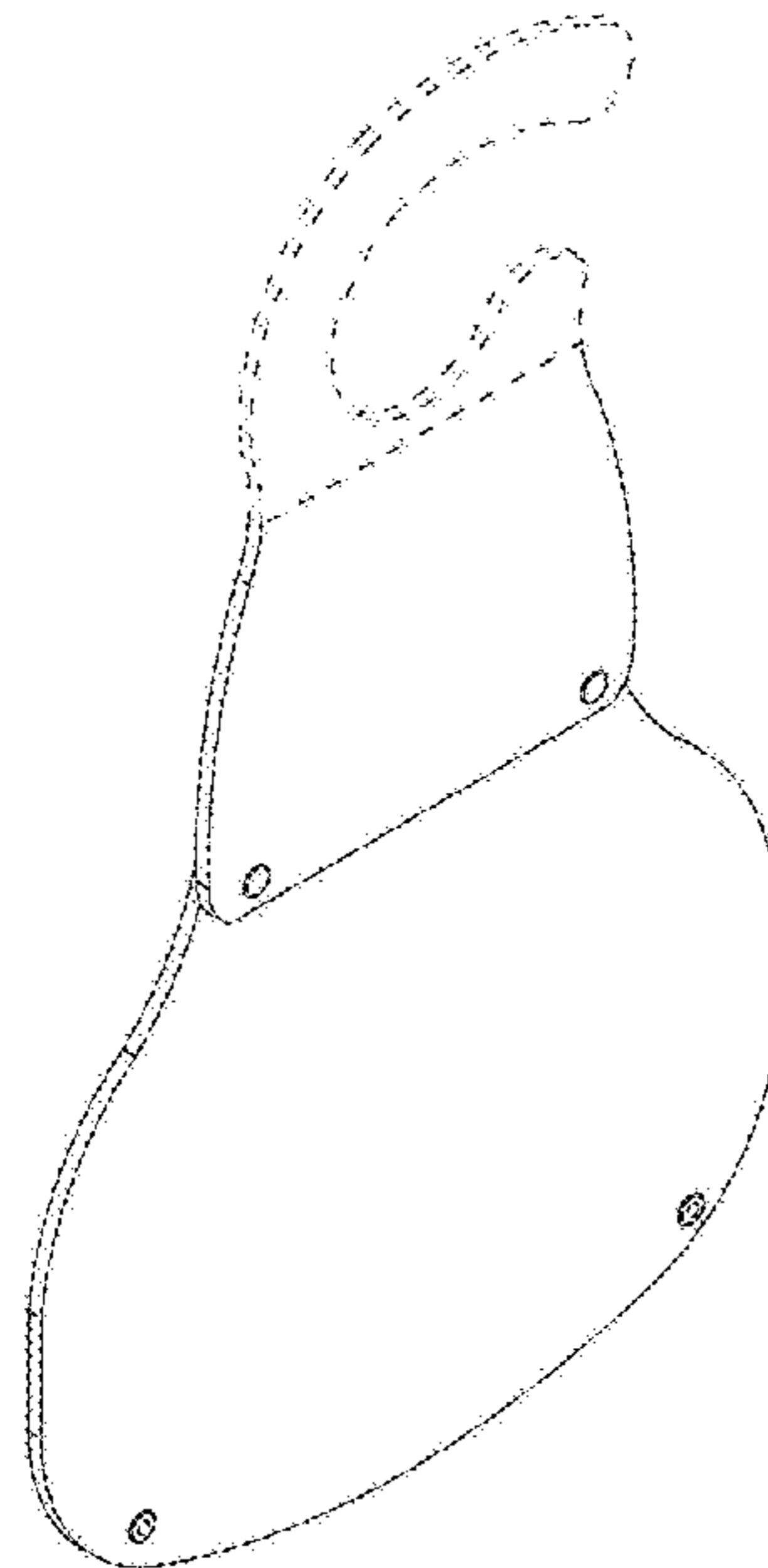
(57) **CLAIM**

The ornamental design for a baby bib, as shown and described.

DESCRIPTION

FIG. 1 is a front perspective view of a baby bib showing my design;
FIG. 2 is a rear perspective view thereof;
FIG. 3 is a front view thereof;
FIG. 4 is a rear view thereof;
FIG. 5 is a right side view thereof, which is a minor image of the left side view thereof;
FIG. 6 is a top view thereof; and,
FIG. 7 is a bottom view thereof.
The broken lines in FIGS. 1-5 form no part of the claimed design but show an environment in which the design may be used.

1 Claim, 7 Drawing Sheets



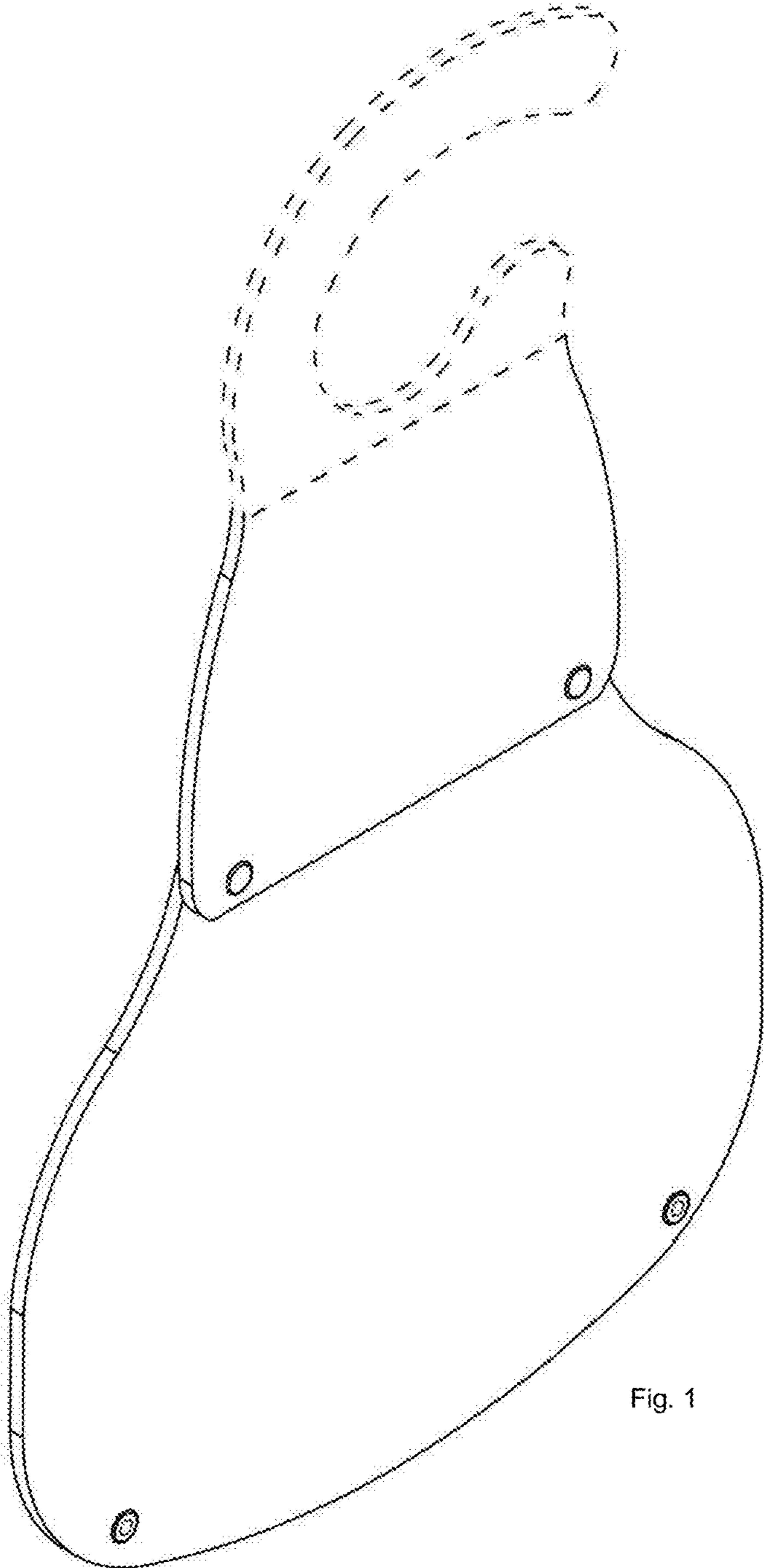


Fig. 1

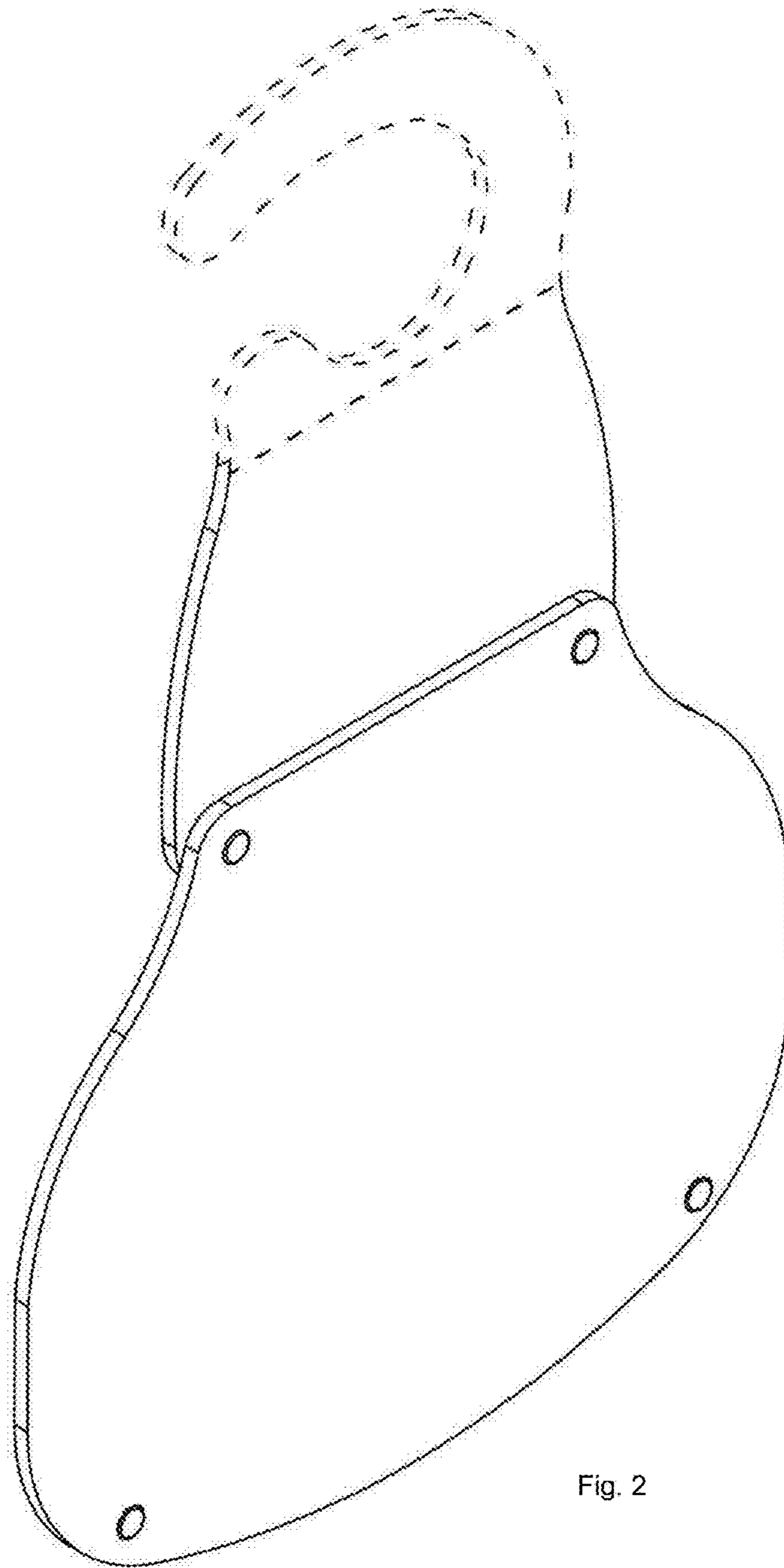


Fig. 2

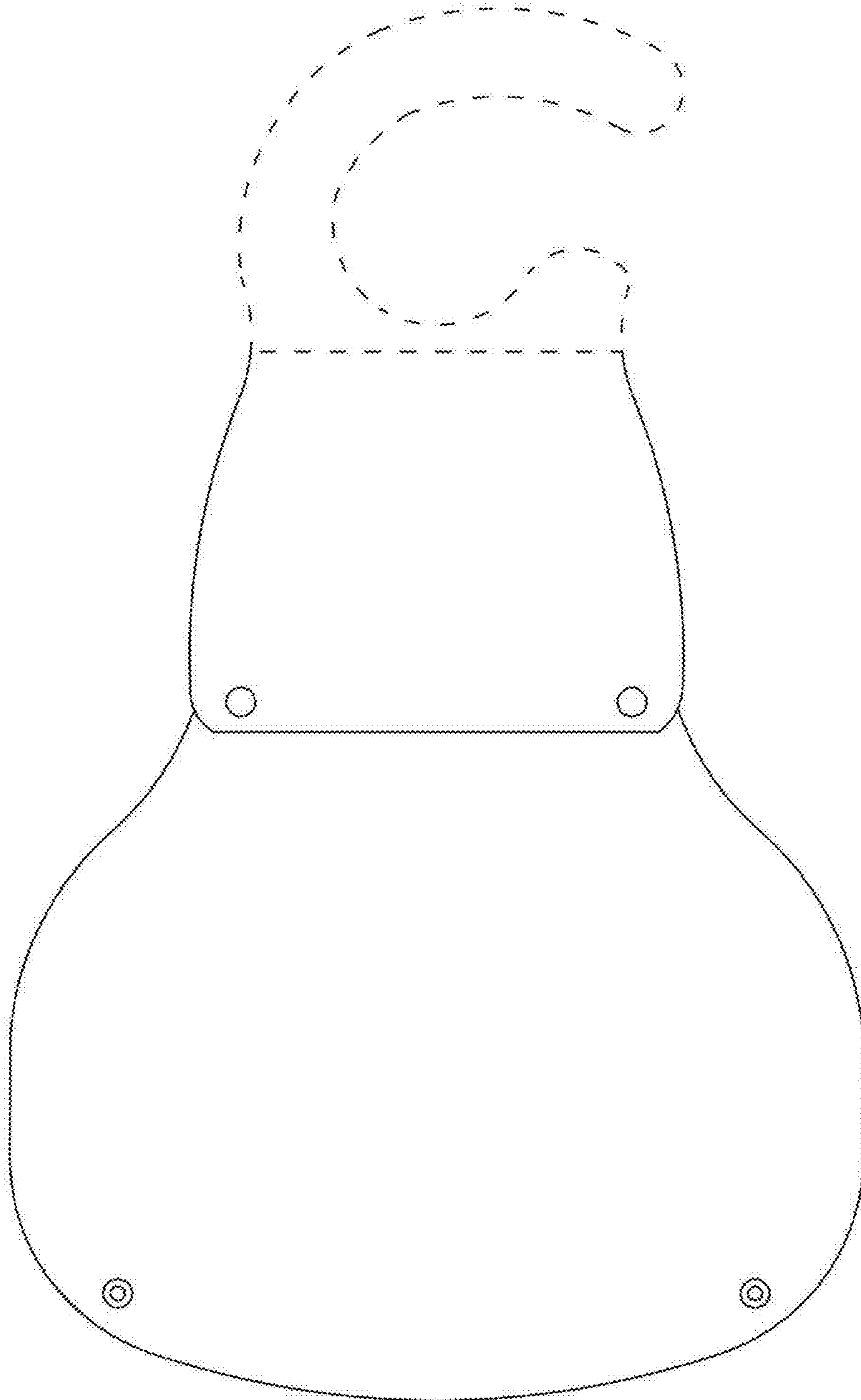


Fig. 3

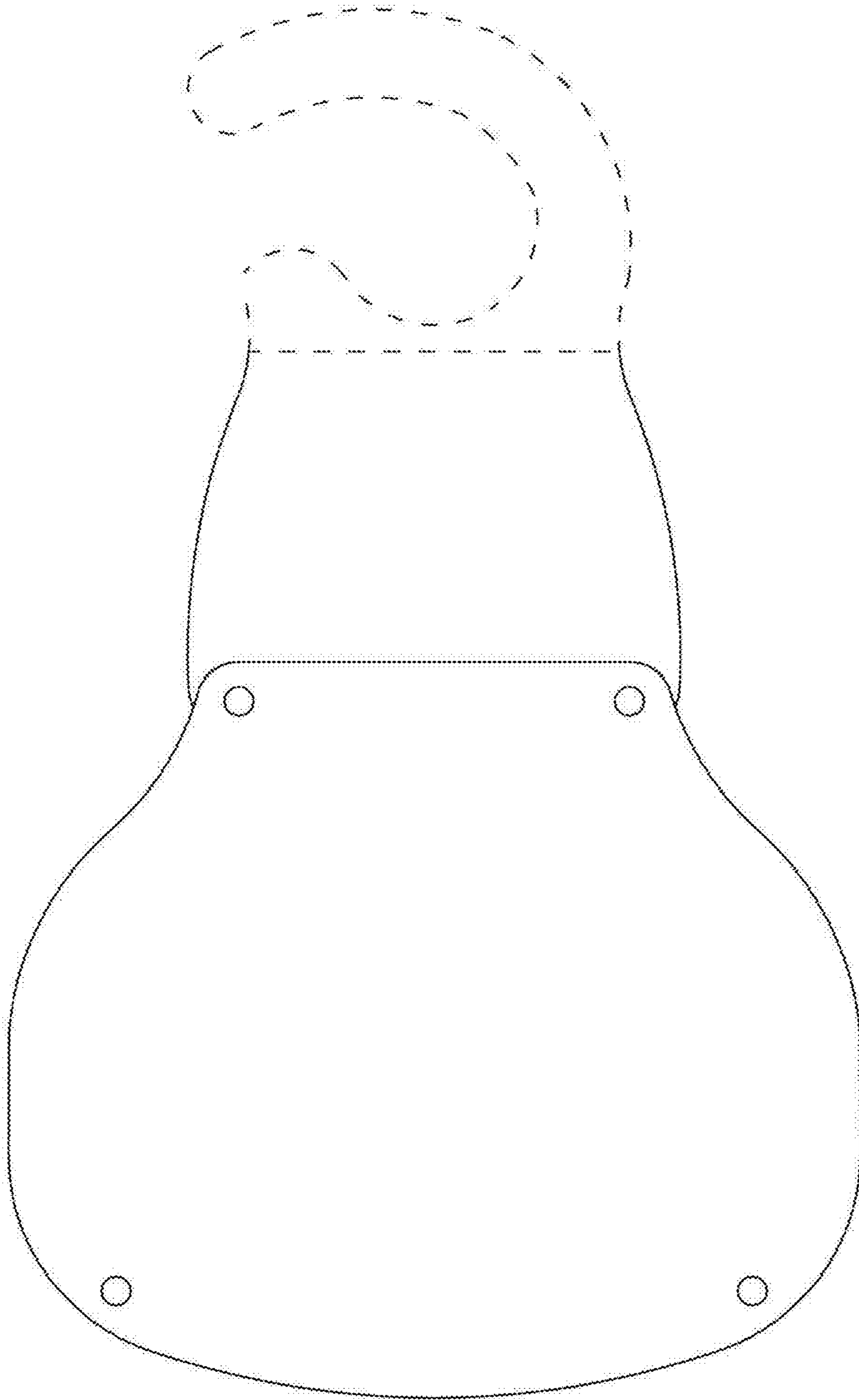


Fig. 4

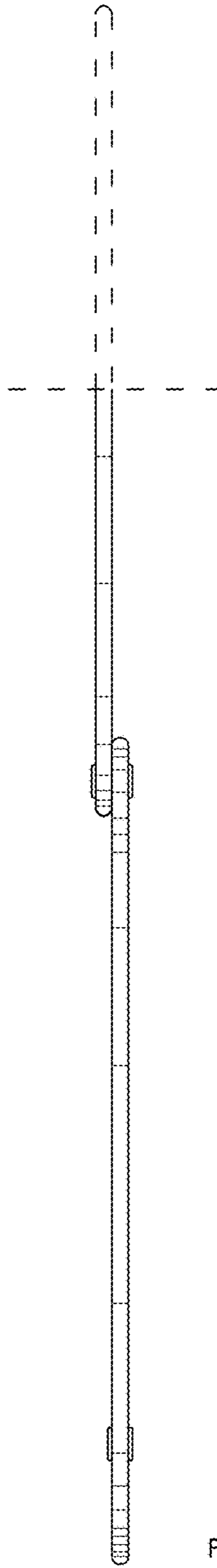


Fig. 5

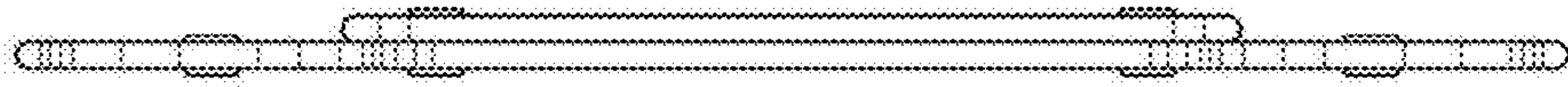


Fig. 6

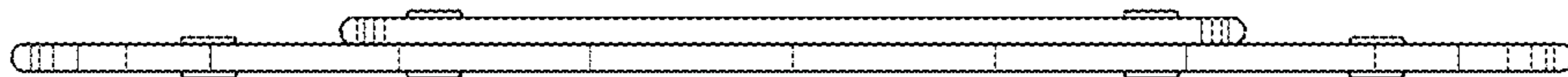


Fig. 7