



US00D845588S

(12) **United States Design Patent**
Wheeler

(10) **Patent No.:** **US D845,588 S**

(45) **Date of Patent:** **** Apr. 16, 2019**

- (54) **UNDERWIRE RETAINER**
- (71) Applicant: **Near the Heart, LLC**, Oak Hill, FL (US)
- (72) Inventor: **Srhonda Wheeler**, Oak Hill, FL (US)
- (73) Assignee: **Near the Heart, LLC**, Oak Hill, FL (US)
- (**) Term: **15 Years**
- (21) Appl. No.: **29/654,304**
- (22) Filed: **Jun. 22, 2018**
- (51) **LOC (11) Cl.** **02-02**
- (52) **U.S. Cl.**
USPC **D2/853**
- (58) **Field of Classification Search**
USPC D2/853; D11/211, 215; D8/395, 394;
D28/42, 40
CPC A44C 1/00
See application file for complete search history.

- 8,104,149 B1 * 1/2012 McGarity A61B 17/1227
24/508
- 8,201,310 B1 * 6/2012 Abdi A47G 25/48
24/499
- D713,292 S * 9/2014 Fildan D11/210
- D776,346 S * 1/2017 Magnani D28/40
- 2014/0243862 A1 * 8/2014 Bagaoisan A61B 17/122
606/157

* cited by examiner

Primary Examiner — Kevin K Rudzinski
(74) *Attorney, Agent, or Firm* — Kelly G. Swartz;
Widerman Malek, PL

(57) **CLAIM**

The ornamental design for an underwire retainer, as shown and described.

DESCRIPTION

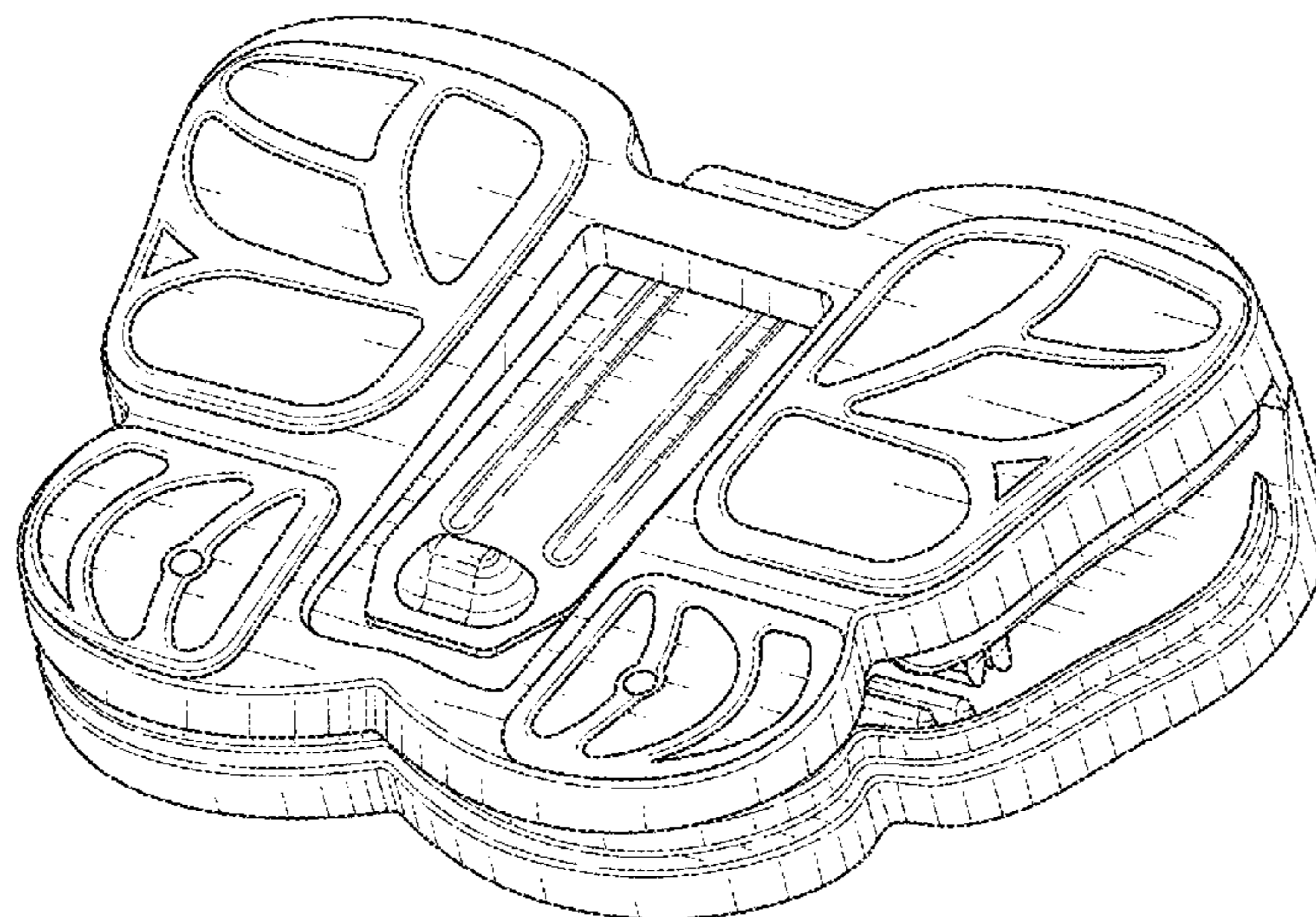
FIG. 1 is a front elevation view of the underwire retainer in a closed configuration according to the present invention. FIG. 2 is a rear elevation view of the underwire retainer illustrated in FIG. 1. FIG. 3 is a side elevation view of the underwire retainer illustrated in FIG. 1 in an open configuration. FIG. 4 is a cross-section view of the underwire retainer taken through the 4-4 line of FIG. 3. FIG. 5 is a cross-section view of the underwire retainer taken through the 5-5 line of FIG. 3. FIG. 6 is a side elevation view of the underwire retainer of FIG. 1. FIG. 7 is a perspective view of the underwire retainer of FIG. 1 in combination with a bra shown with environment; and, FIG. 8 is a side perspective view of the underwire retainer of FIG. 1. The broken lines shown in the drawings illustrate environment of the underwire retainer that form no part of the claimed design.

(56) **References Cited**

U.S. PATENT DOCUMENTS

- D47,198 S * 4/1915 Preston D11/100
- 2,090,106 A * 8/1937 Carlson A44C 1/00
24/707.7
- D116,731 S * 9/1939 Adelstein D11/57
- 2,843,899 A * 7/1958 Homand A44C 1/00
24/327
- D411,504 S * 6/1999 Hsu D12/220
- 6,453,911 B1 * 9/2002 Silva A45D 8/12
132/275
- D477,987 S * 8/2003 Adams D19/65
- D477,988 S * 8/2003 Adams D19/65
- 6,826,811 B2 * 12/2004 Adams B42F 1/006
24/499
- D571,254 S * 6/2008 Wanzenbock D11/212
- D635,715 S * 4/2011 Hsu D28/40

1 Claim, 4 Drawing Sheets



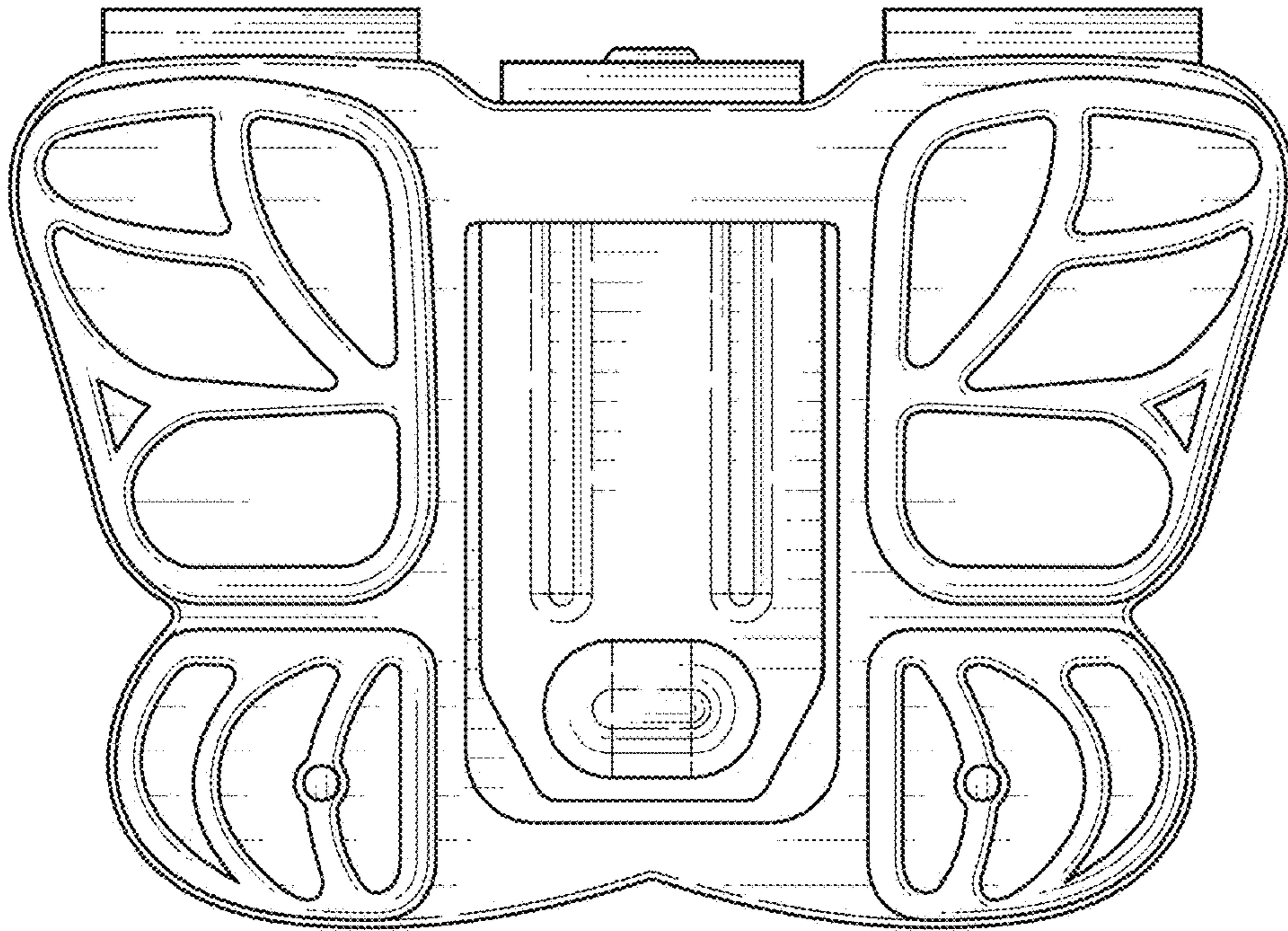


FIG. 1

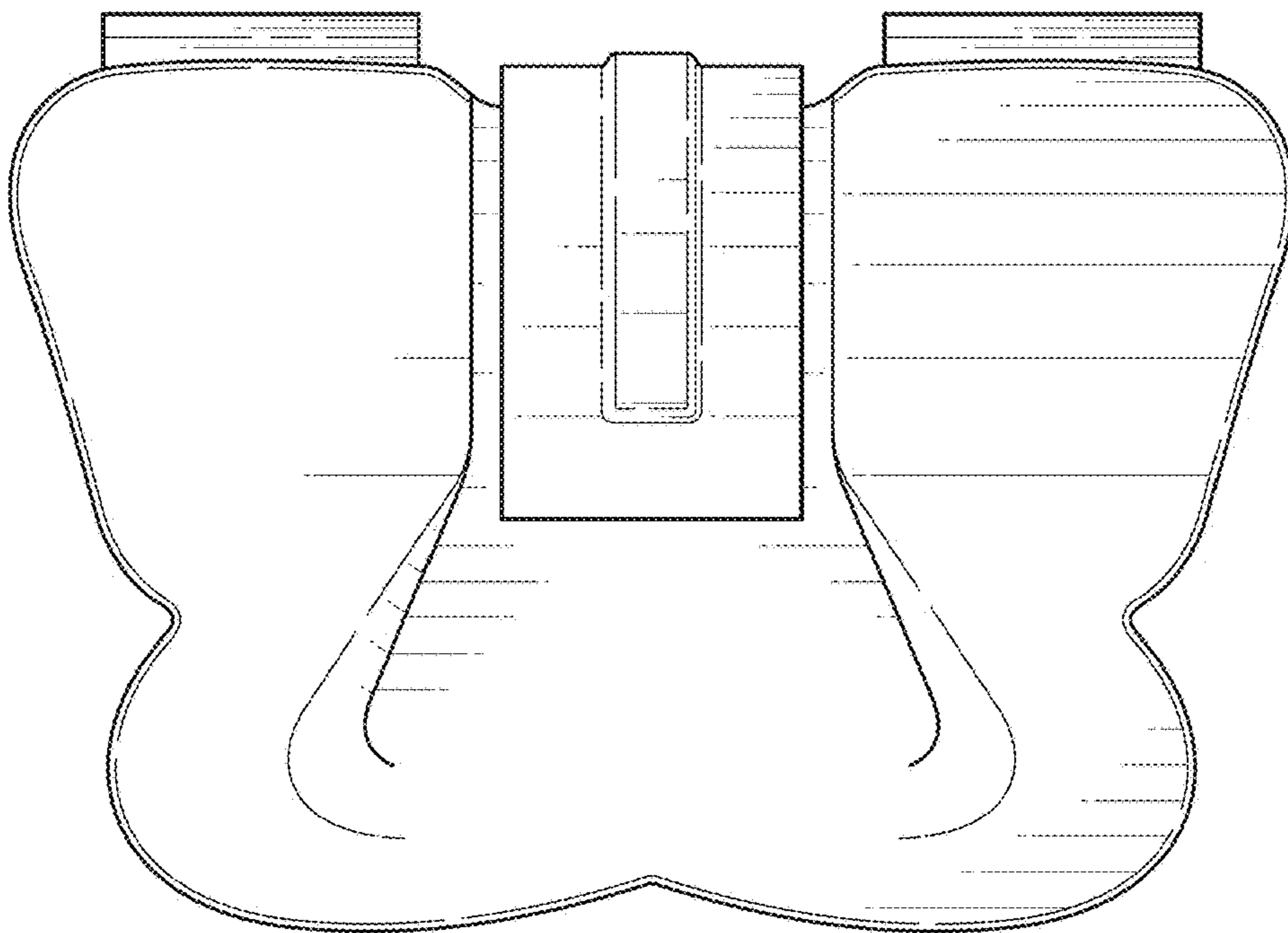


FIG. 2

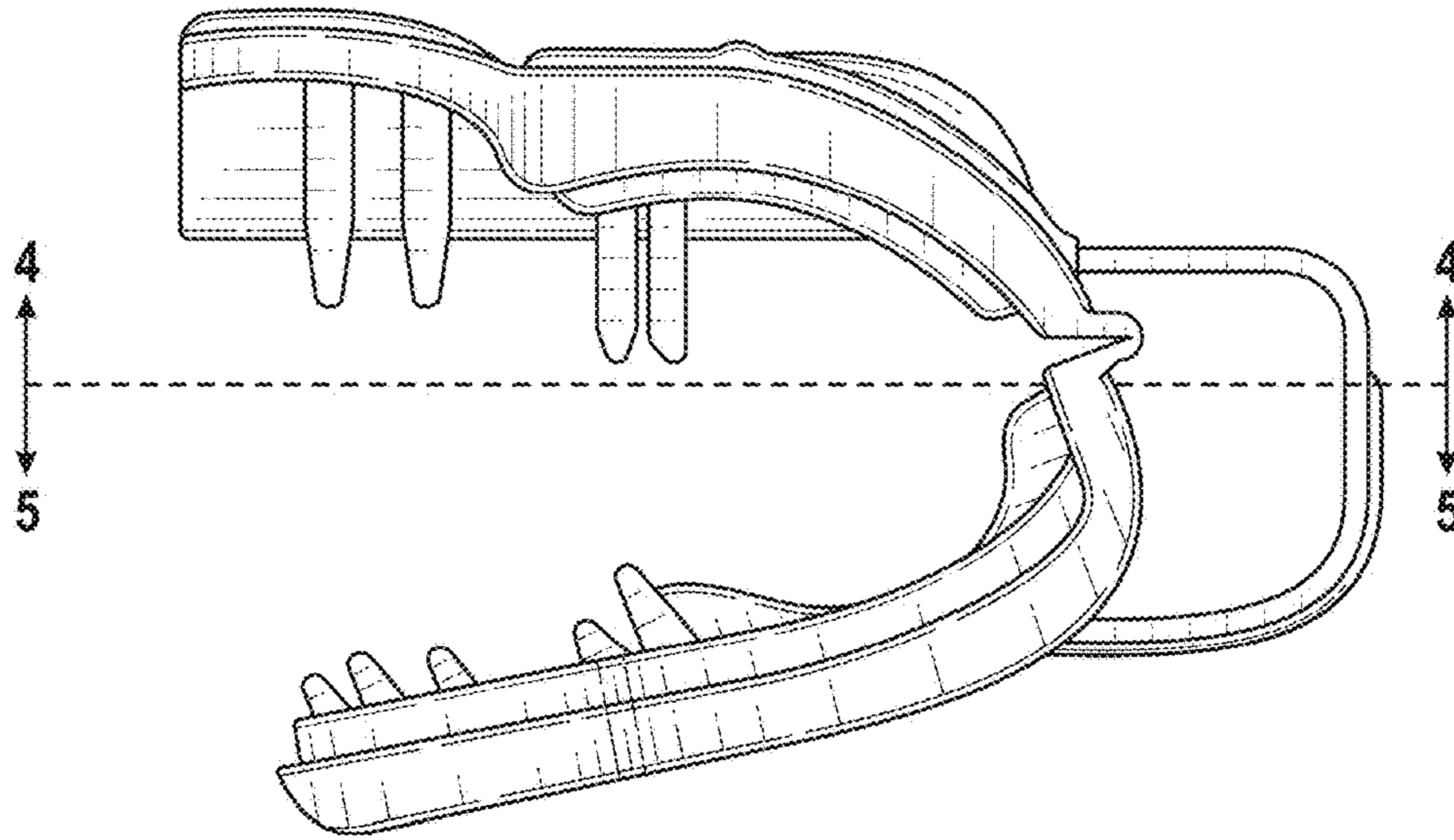


FIG. 3

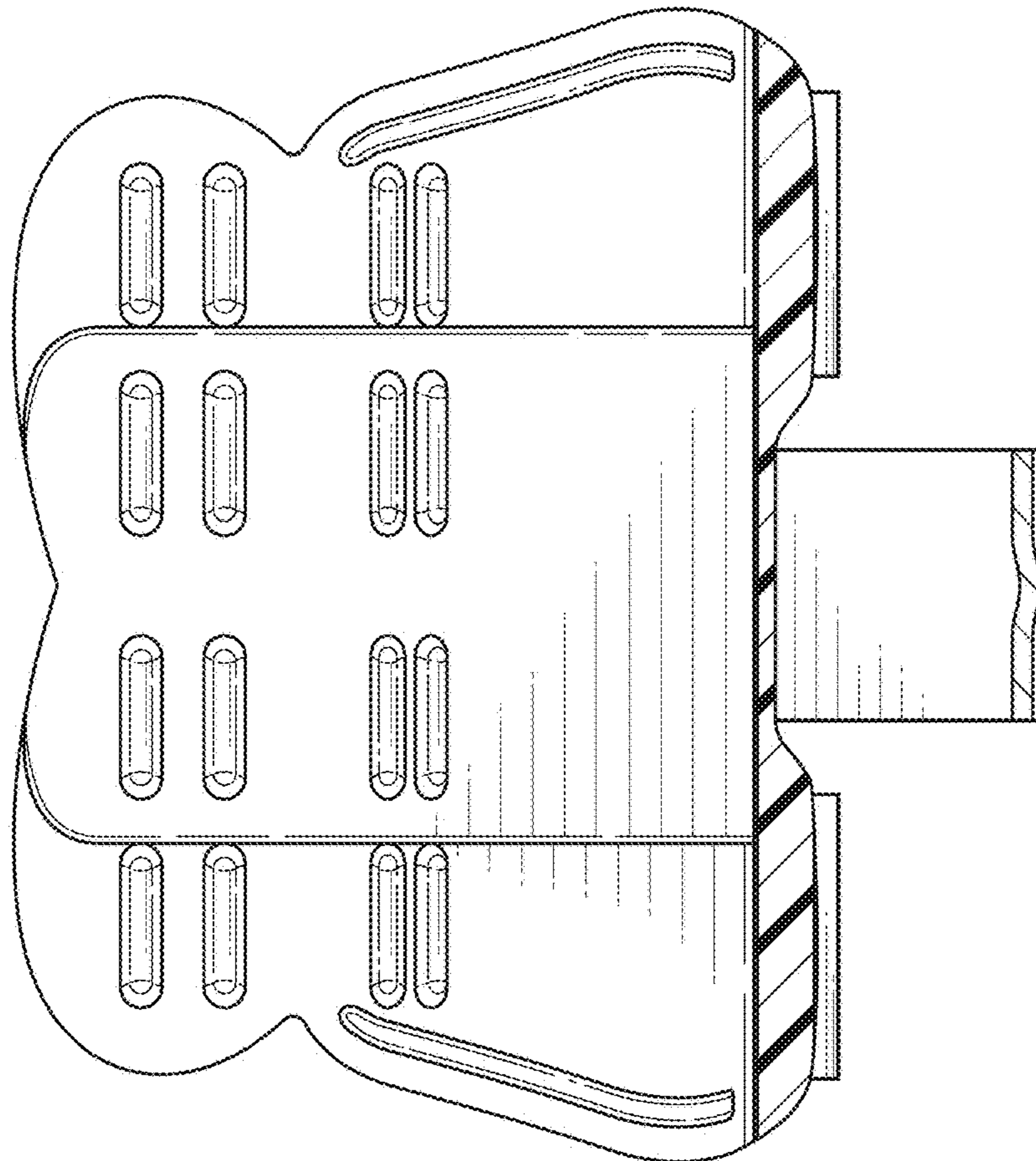


FIG. 4

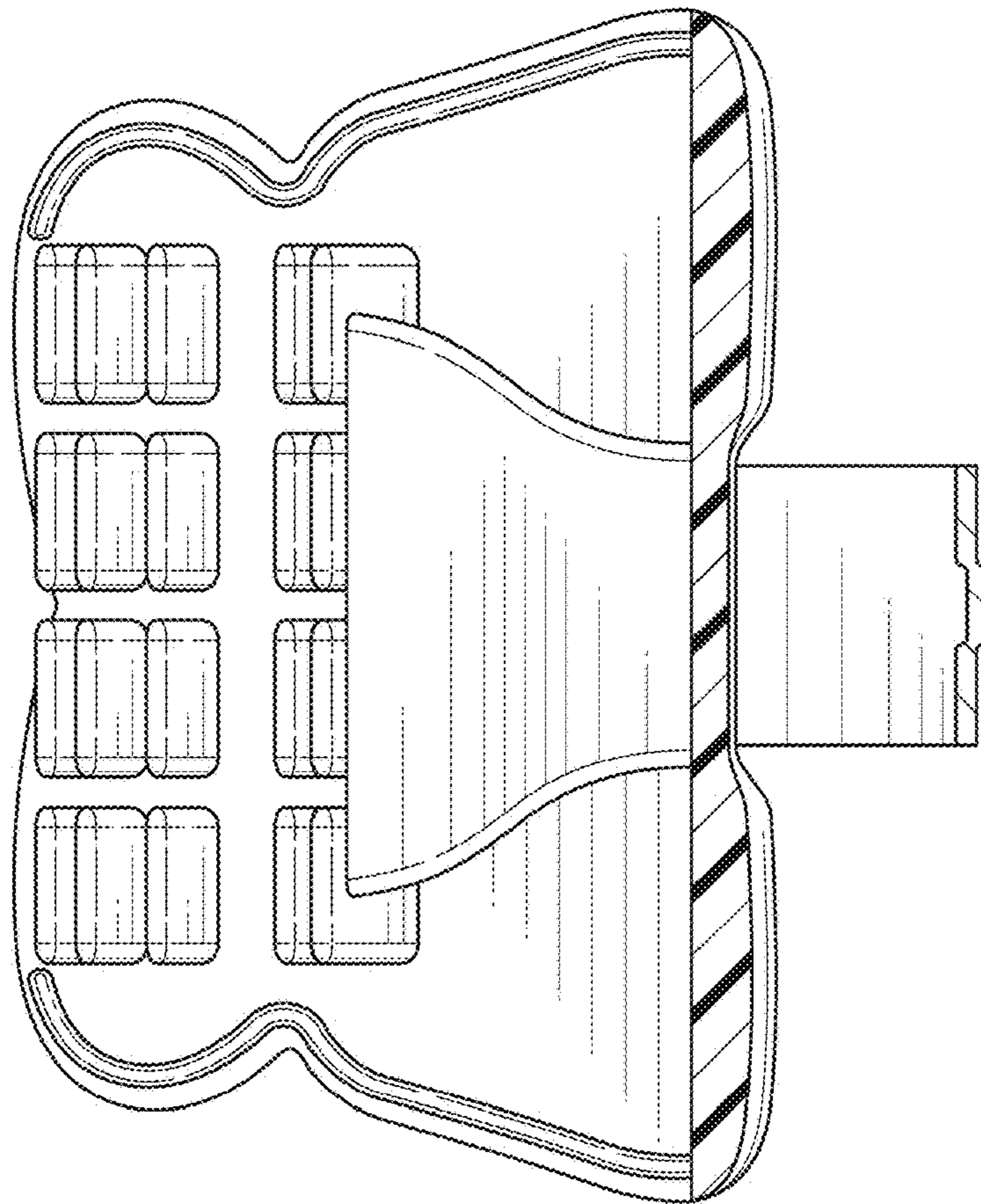


FIG. 5

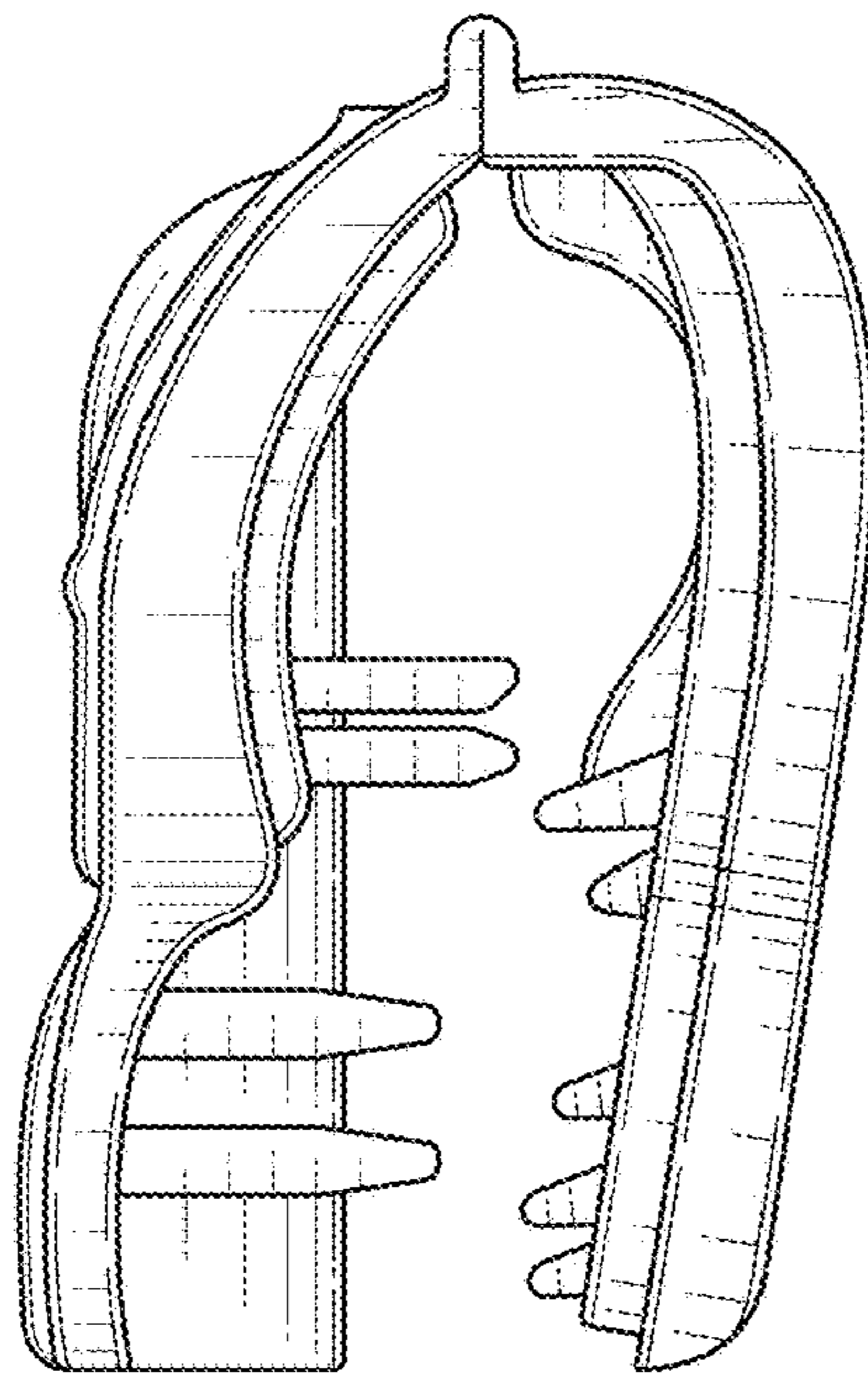


FIG. 6

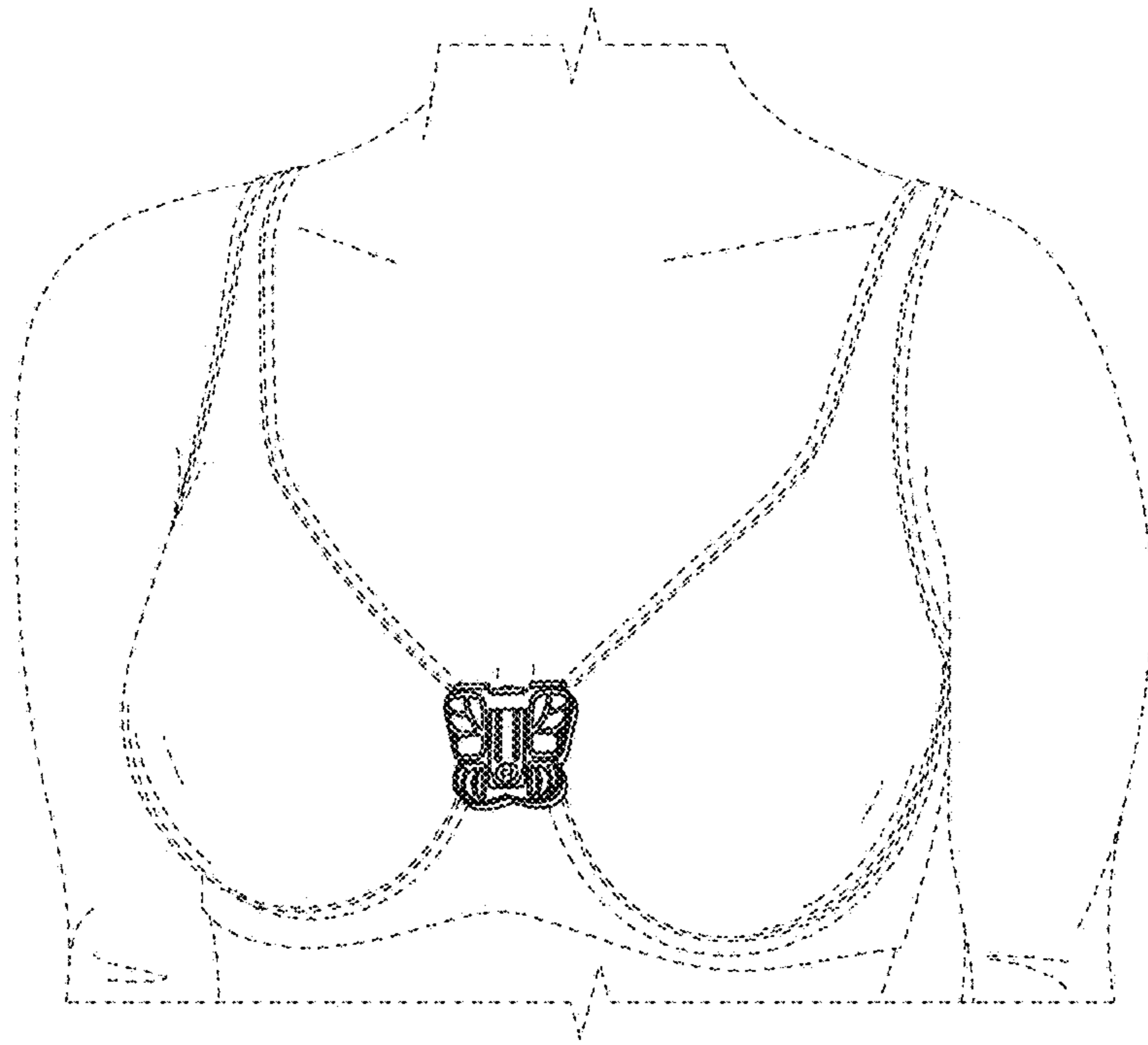


FIG. 7

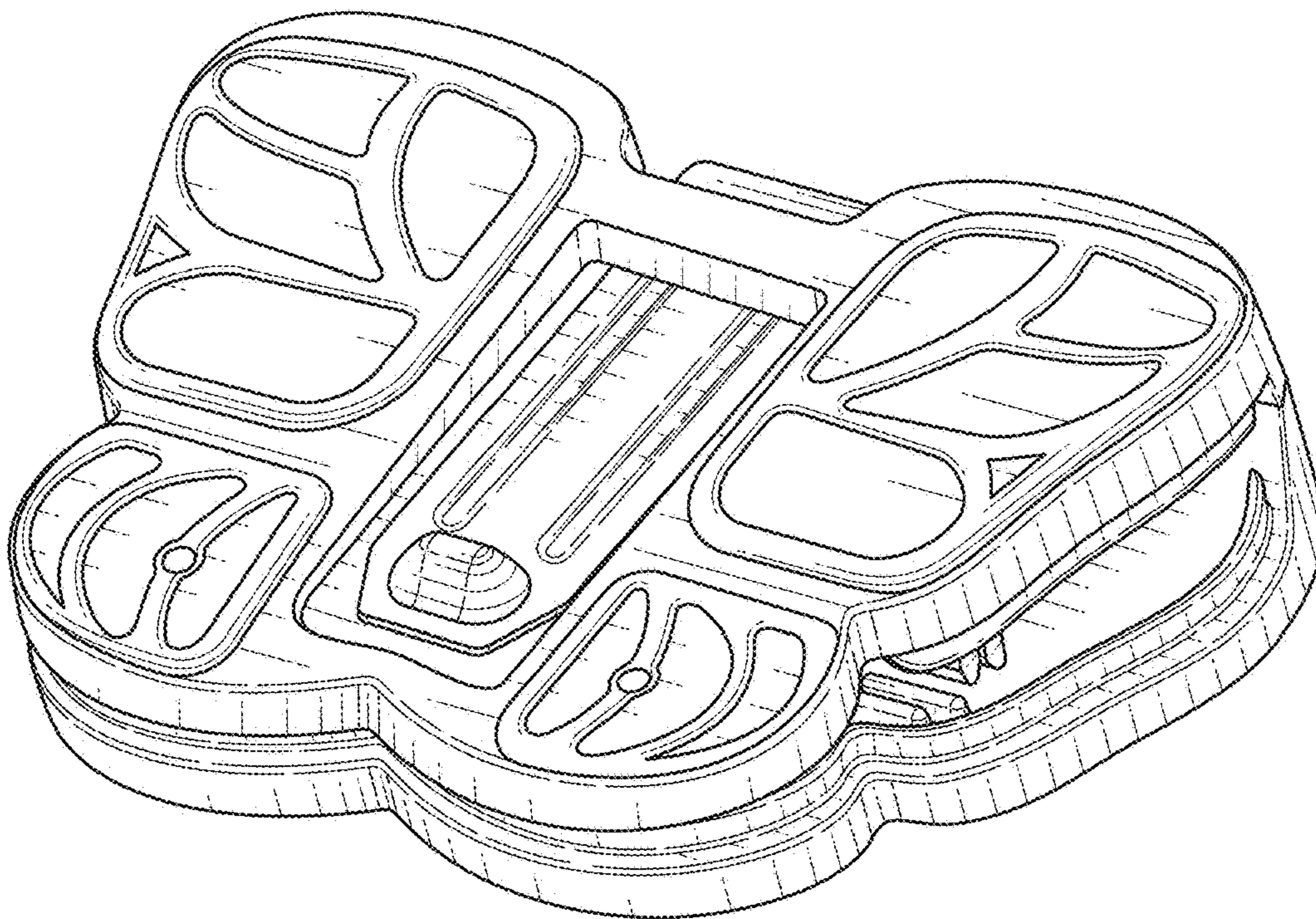


FIG. 8