



US00D845587S

(12) **United States Design Patent**
Gill et al.

(10) **Patent No.:** **US D845,587 S**

(45) **Date of Patent:** **** Apr. 16, 2019**

(54) **HIGH VISIBILITY JACKET**

(71) Applicant: **KwikSpace Guam, Inc.**, Hagatna, GU (US)

(72) Inventors: **Peter E. Gill**, Tamuning, GU (US);
Peter E. Gill, III, Tamuning, GU (US)

(73) Assignee: **KWIKSPACE GUAM**, Hagatna, GU (US)

(**) Term: **15 Years**

(21) Appl. No.: **29/640,342**

(22) Filed: **Mar. 14, 2018**

(51) **LOC (11) Cl.** **02-02**

(52) **U.S. Cl.**
USPC **D2/828**

(58) **Field of Classification Search**
USPC D2/828-829; D29/100, 101.1, 101.4,
D29/101.3; 441/102
CPC A41D 1/00; A41D 1/02; A41D 3/00; A45F
3/00
See application file for complete search history.

(56) **References Cited**

U.S. PATENT DOCUMENTS

D633,690 S	*	3/2011	Tronvold	D2/828
D684,749 S	*	6/2013	Reisler	D2/828
D703,921 S	*	5/2014	Reisler	D2/828
D743,105 S	*	11/2015	Bien	D29/101.1
D747,076 S	*	1/2016	Reisler	D2/839
D768,938 S	*	10/2016	Bien	D29/101.1

D792,027 S	*	7/2017	Gill	D29/101.4
D797,378 S	*	9/2017	Gill	D29/101.4
D836,299 S	*	12/2018	Lamprey	D2/839
2016/0338433 A1	*	11/2016	Underwood	A41D 27/02

* cited by examiner

Primary Examiner — Robin V Webster

Assistant Examiner — J. Thorn, Sr.

(74) *Attorney, Agent, or Firm* — Donald J. Ersler

(57) **CLAIM**

The ornamental design for high visibility jacket, as shown and described.

DESCRIPTION

FIG. 1 is a top perspective view of a high visibility jacket incorporating our new design;
FIG. 2 is a rear bottom perspective view thereof;
FIG. 3 is a top plan view thereof; and
FIG. 4 is a bottom plan view thereof.
FIG. 5 is a left side view thereof;
FIG. 6 is a right side view thereof;
FIG. 7 is a front view thereof; and,
FIG. 8 is a rear view thereof.

The broken lines shown in the drawings illustrate portions of the high visibility jacket that form no part of the claimed invention.

The black colored sections of the high visibility jacket include light reflective elements.

The grey colored sections of the high visibility jacket are light reflective.

1 Claim, 8 Drawing Sheets





FIG. 1

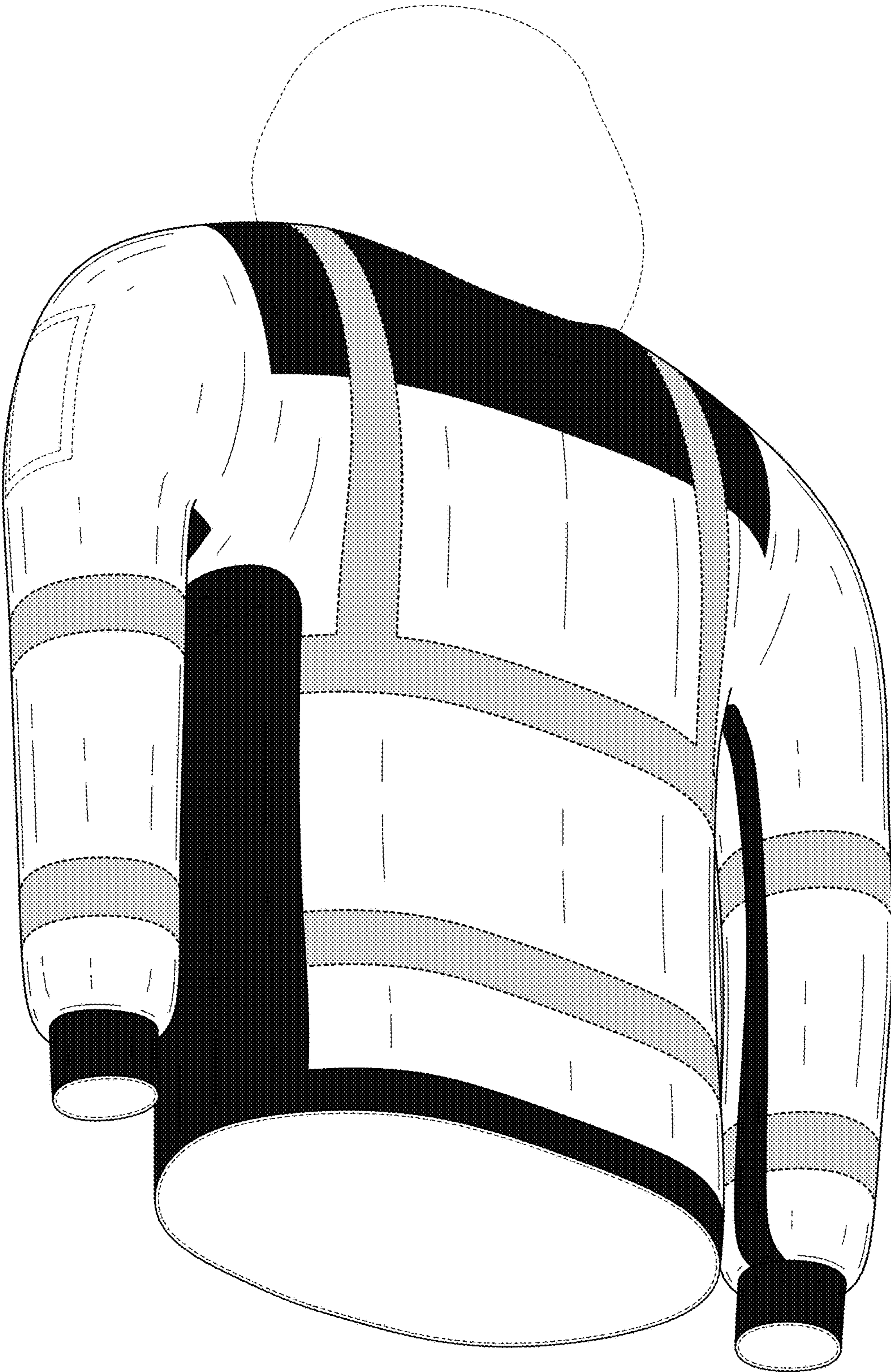


FIG. 2

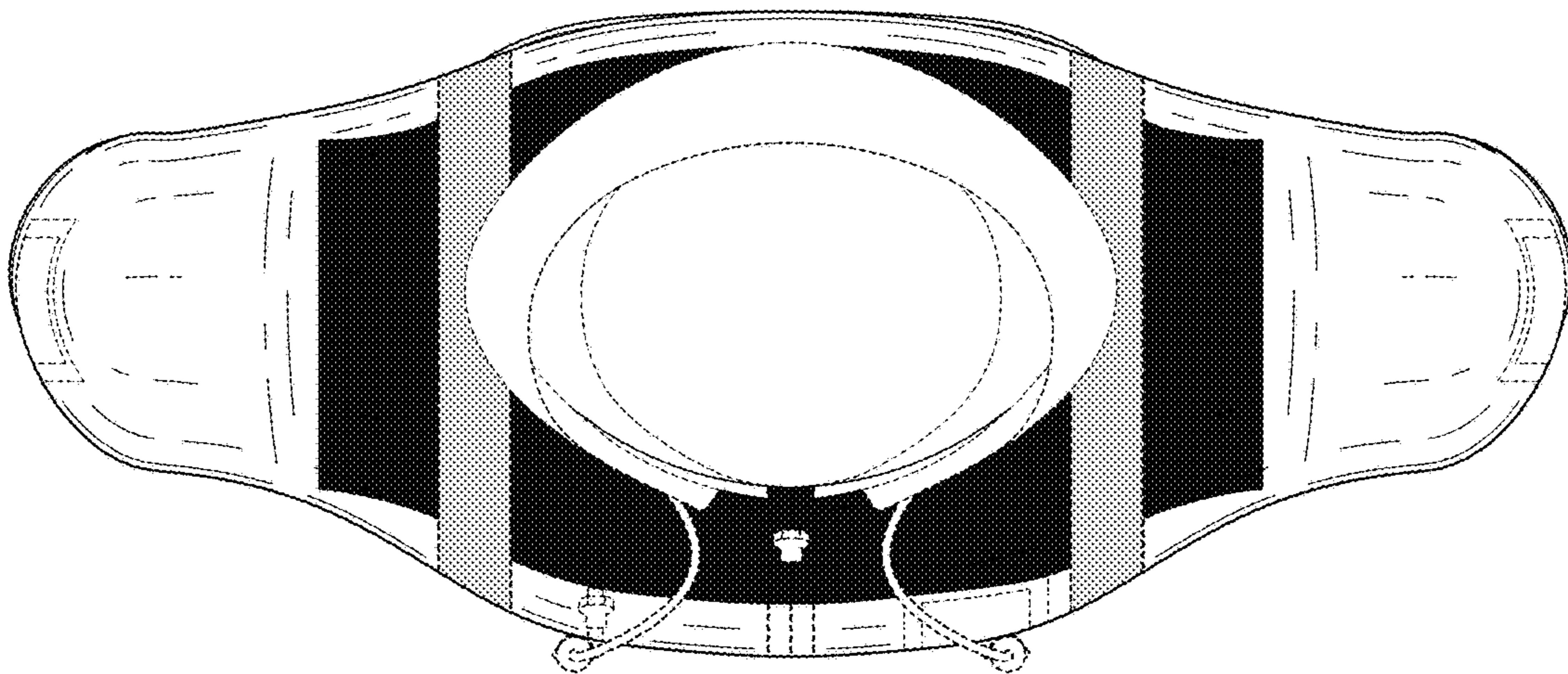


FIG. 3

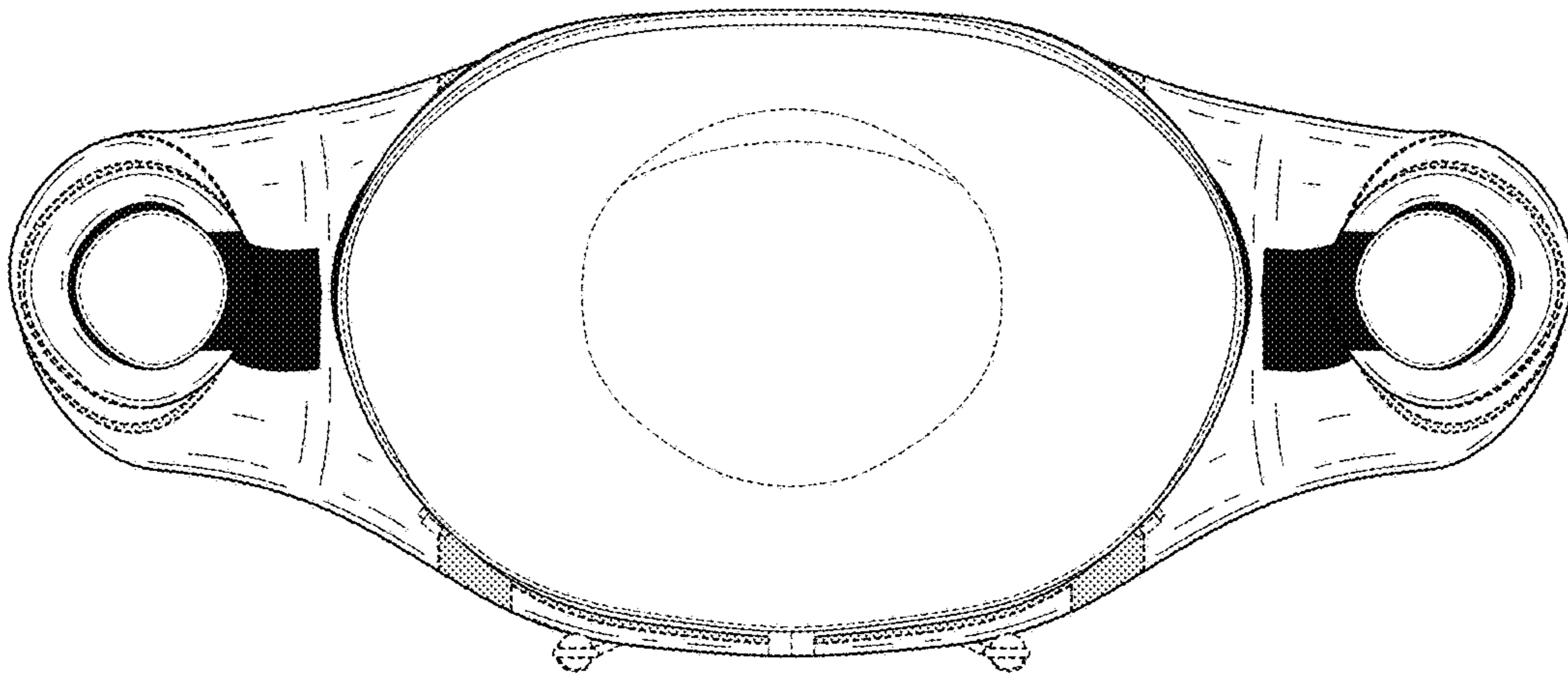


FIG. 4

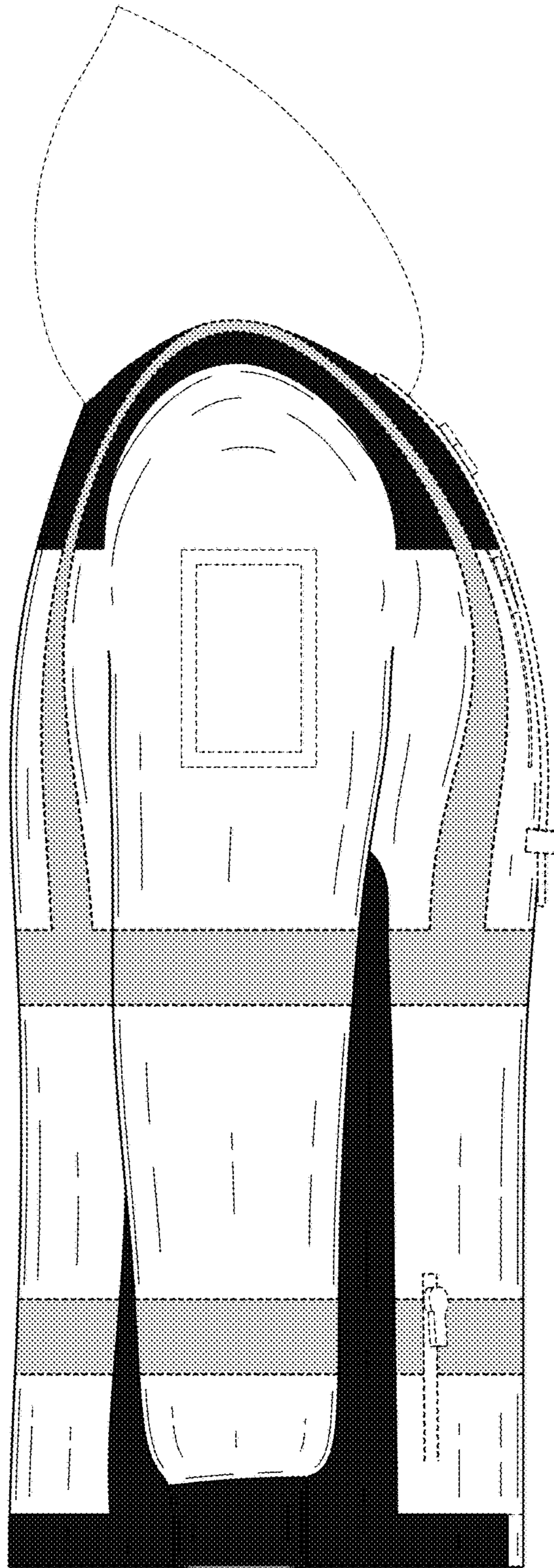


FIG. 5

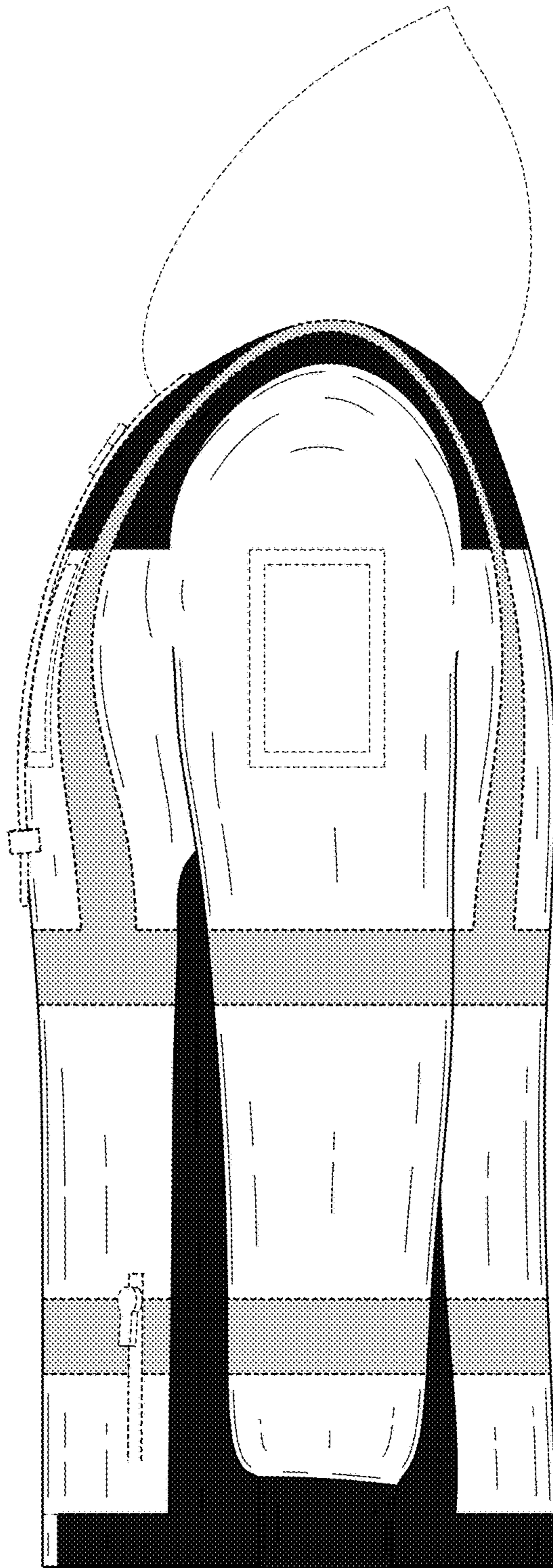


FIG. 6

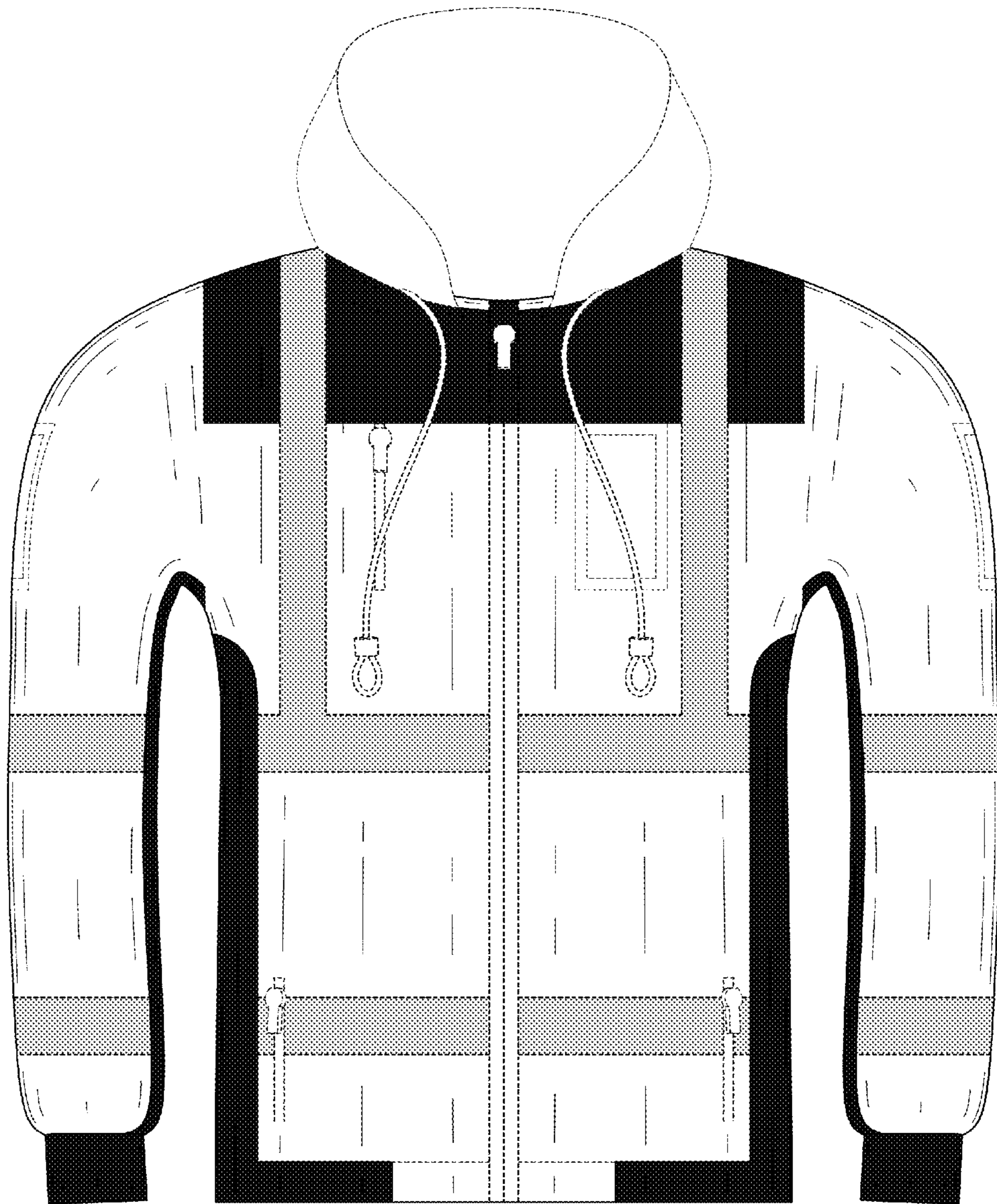


FIG. 7

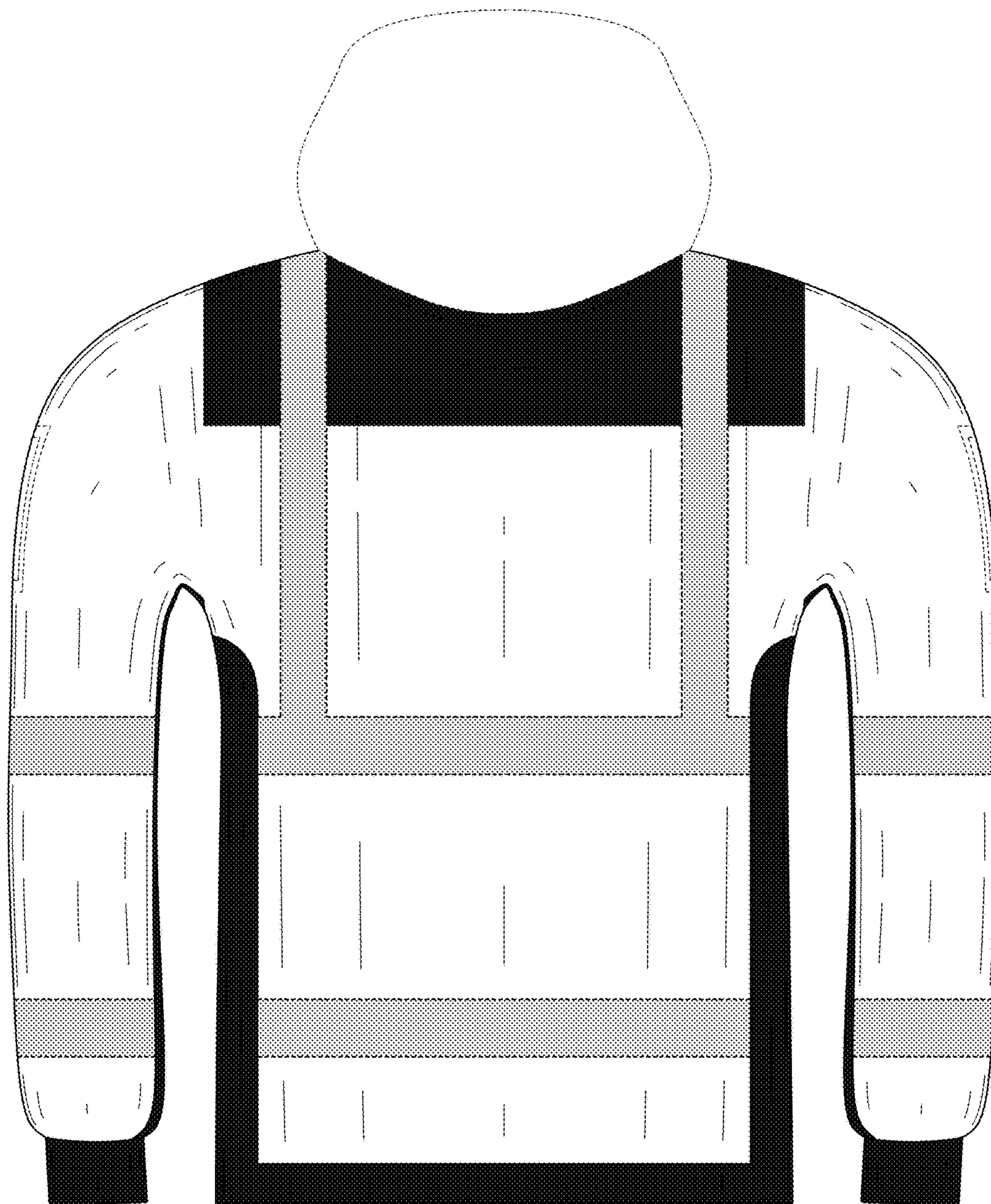


FIG. 8