



US00D845586S

(12) **United States Design Patent** (10) **Patent No.:** **US D845,586 S**
Gill et al. (45) **Date of Patent:** **** Apr. 16, 2019**

- (54) **JACKET WITH HOODIE**
- (71) Applicant: **KwikSpace Guam, Inc.**, Hagatna, GU (US)
- (72) Inventors: **Peter E. Gill**, Tamuning, GU (US);
Peter E. Gill, III, Tamuning, GU (US)
- (73) Assignee: **KWIKSPACE GUAM**, Hagatna, GU (US)
- (**) Term: **15 Years**
- (21) Appl. No.: **29/639,913**
- (22) Filed: **Mar. 9, 2018**
- (51) **LOC (11) Cl.** **02-02**
- (52) **U.S. Cl.**
USPC **D2/828**
- (58) **Field of Classification Search**
USPC D2/828-829; D29/100, 101.1, 101.4,
D29/101.3; 441/102
CPC A41D 1/00; A41D 1/02; A41D 3/00; A45F
3/00
See application file for complete search history.

- D743,105 S * 11/2015 Bien D29/101.1
- D747,076 S * 1/2016 Reisler D2/839
- D768,938 S * 10/2016 Bien D29/101.1
- D792,027 S * 7/2017 Gill D29/101.4
- D797,378 S * 9/2017 Gill D29/101.4
- D836,299 S * 12/2018 Lamprey D2/839
- 2016/0338433 A1* 11/2016 Underwood A41D 27/02

* cited by examiner

Primary Examiner — Robin V Webster

Assistant Examiner — J. Thorn, Sr.

(74) *Attorney, Agent, or Firm* — Donald J. Ersler

(57) **CLAIM**

The ornamental design for jacket with hoodie, as shown and described.

DESCRIPTION

FIG. 1 is a top perspective view of a jacket with hoodie incorporating our new design;
FIG. 2 is a rear bottom perspective view thereof;
FIG. 3 is a top plan view thereof; and
FIG. 4 is a bottom plan view thereof.
FIG. 5 is a left side view thereof;
FIG. 6 is a right side view thereof;
FIG. 7 is a front view thereof; and,
FIG. 8 is a rear view thereof.

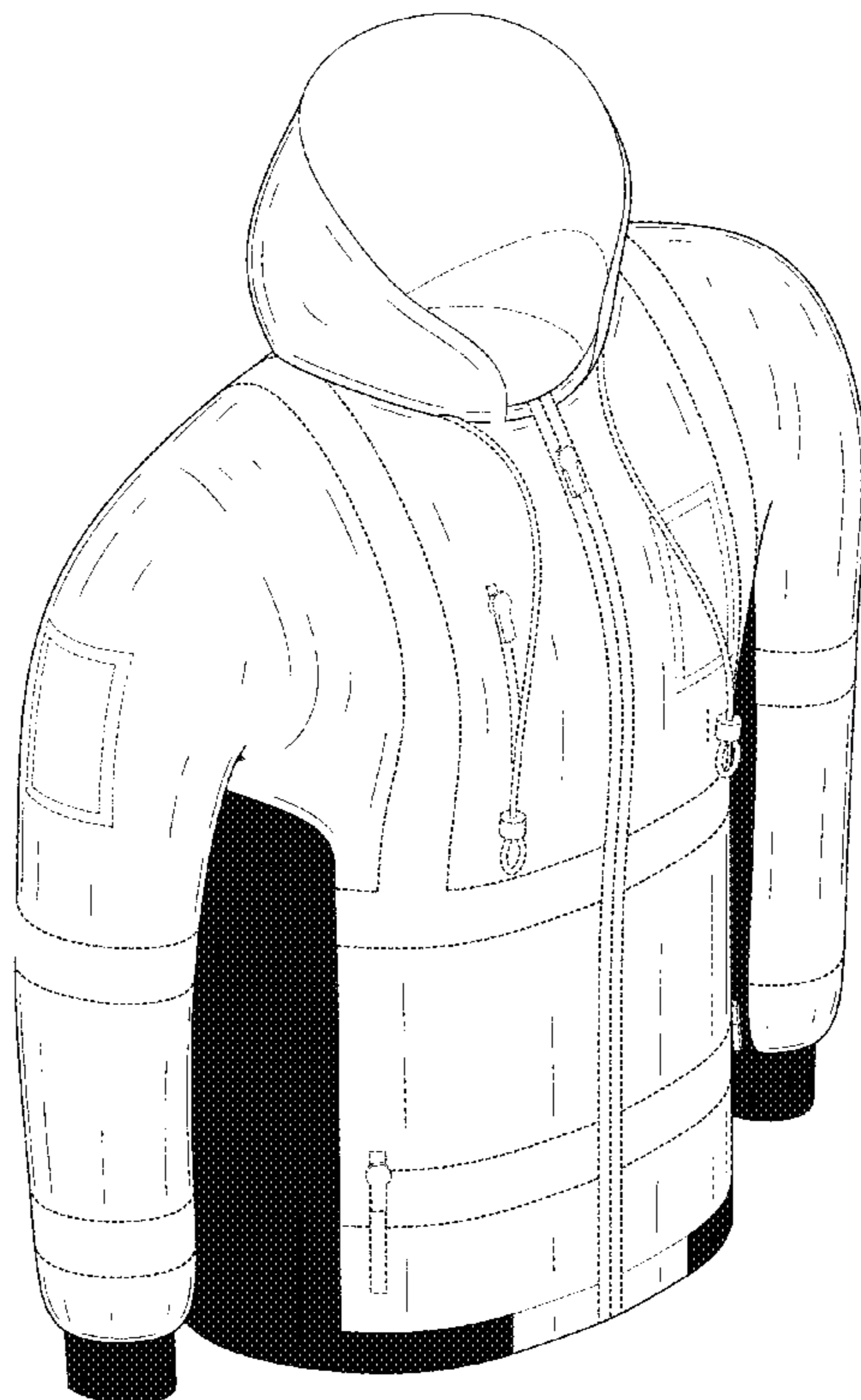
The broken lines shown in the drawings illustrate portions of the jacket with hoodie that form no part of the claimed invention.

1 Claim, 8 Drawing Sheets

(56) **References Cited**

U.S. PATENT DOCUMENTS

- D633,690 S * 3/2011 Tronvold D2/828
- D684,749 S * 6/2013 Reisler D2/828
- D703,921 S * 5/2014 Reisler D2/828



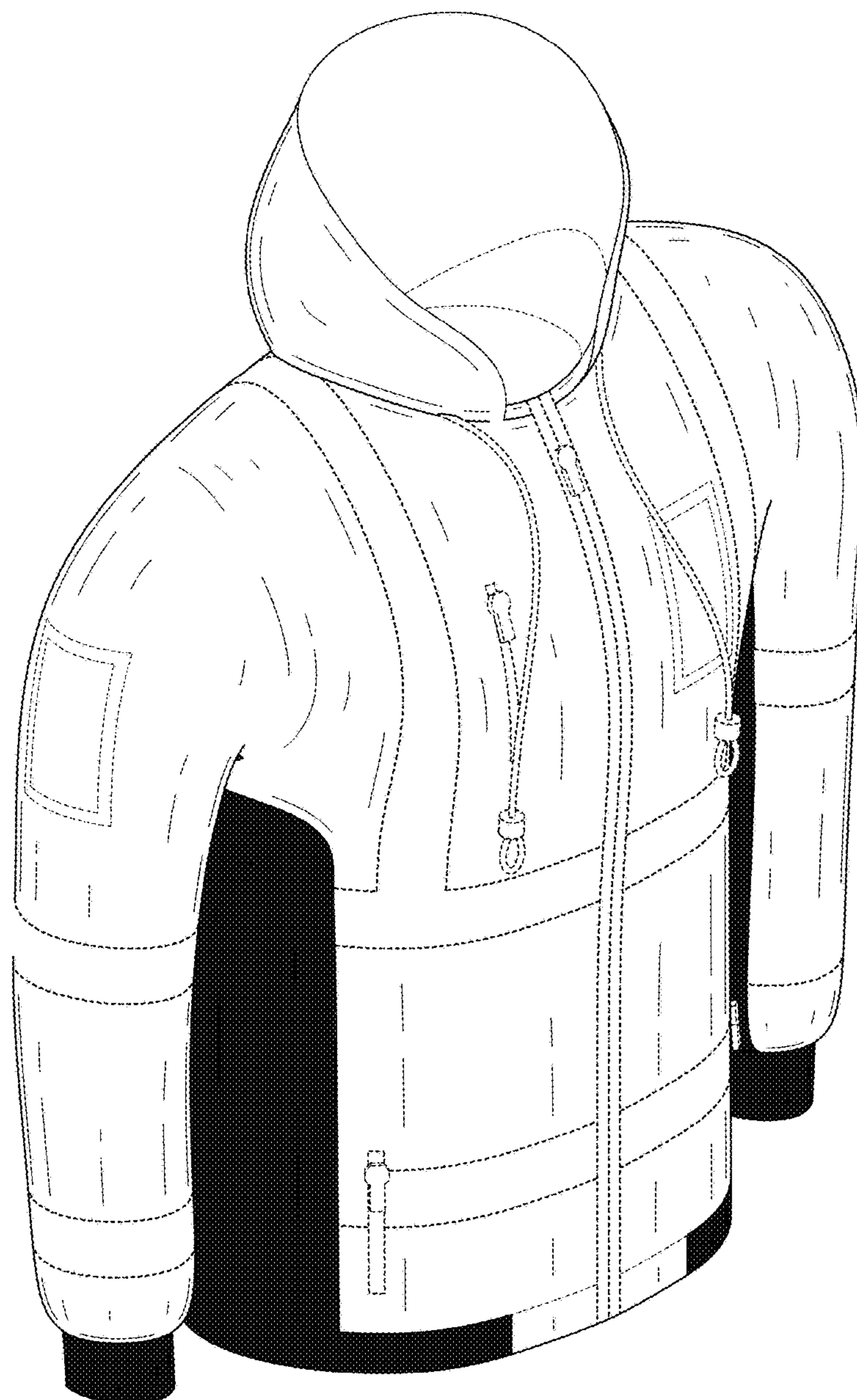


FIG. 1

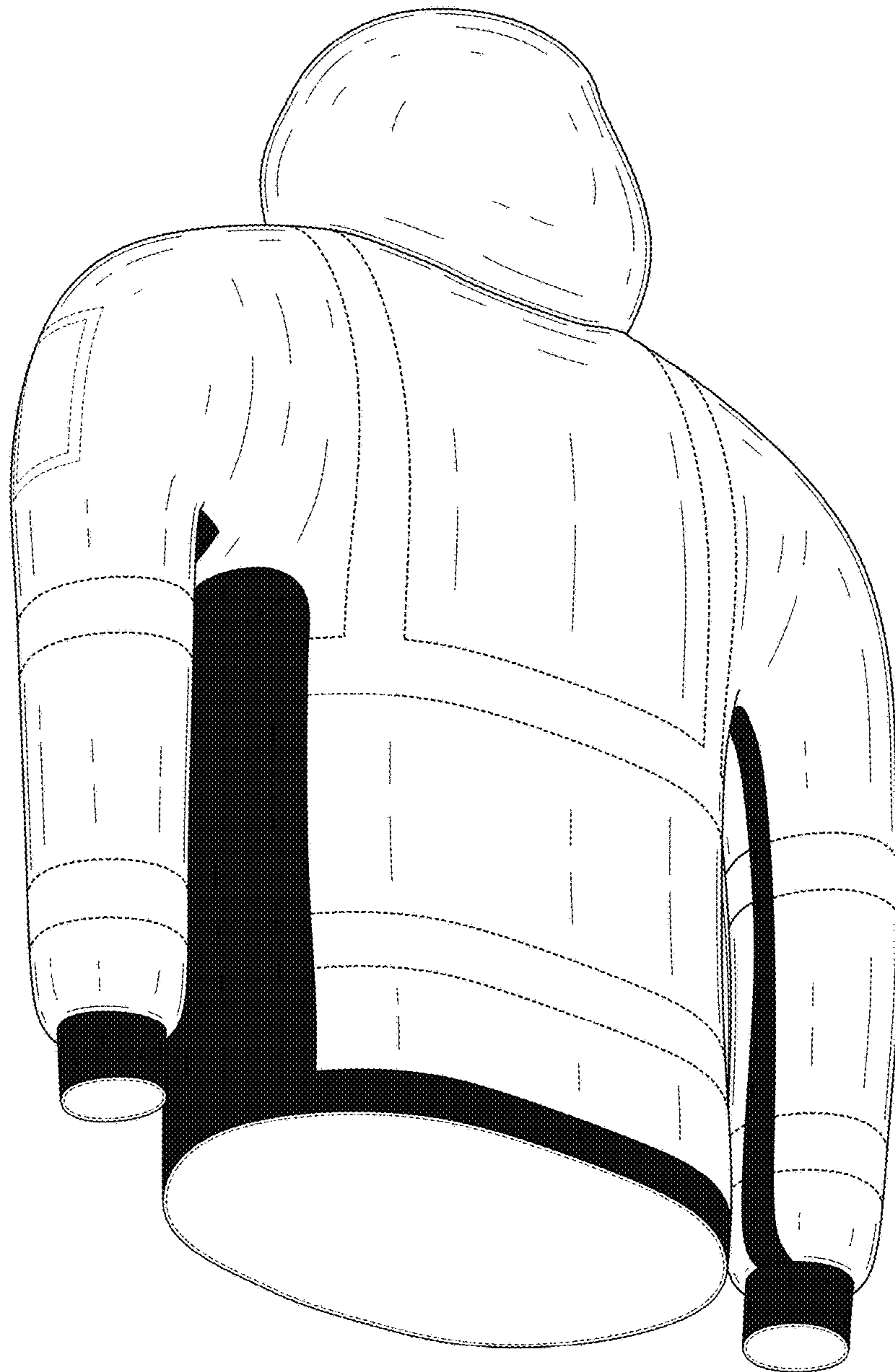


FIG. 2

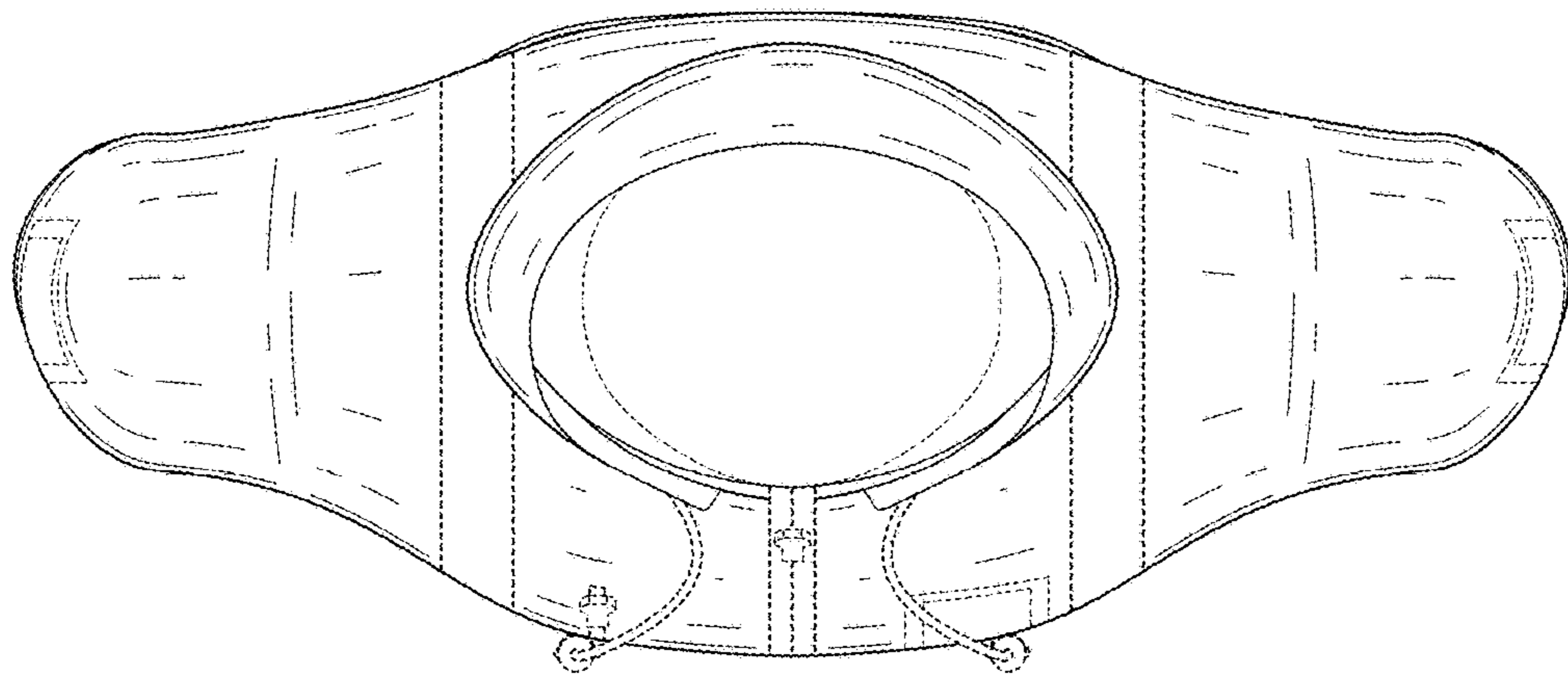


FIG. 3

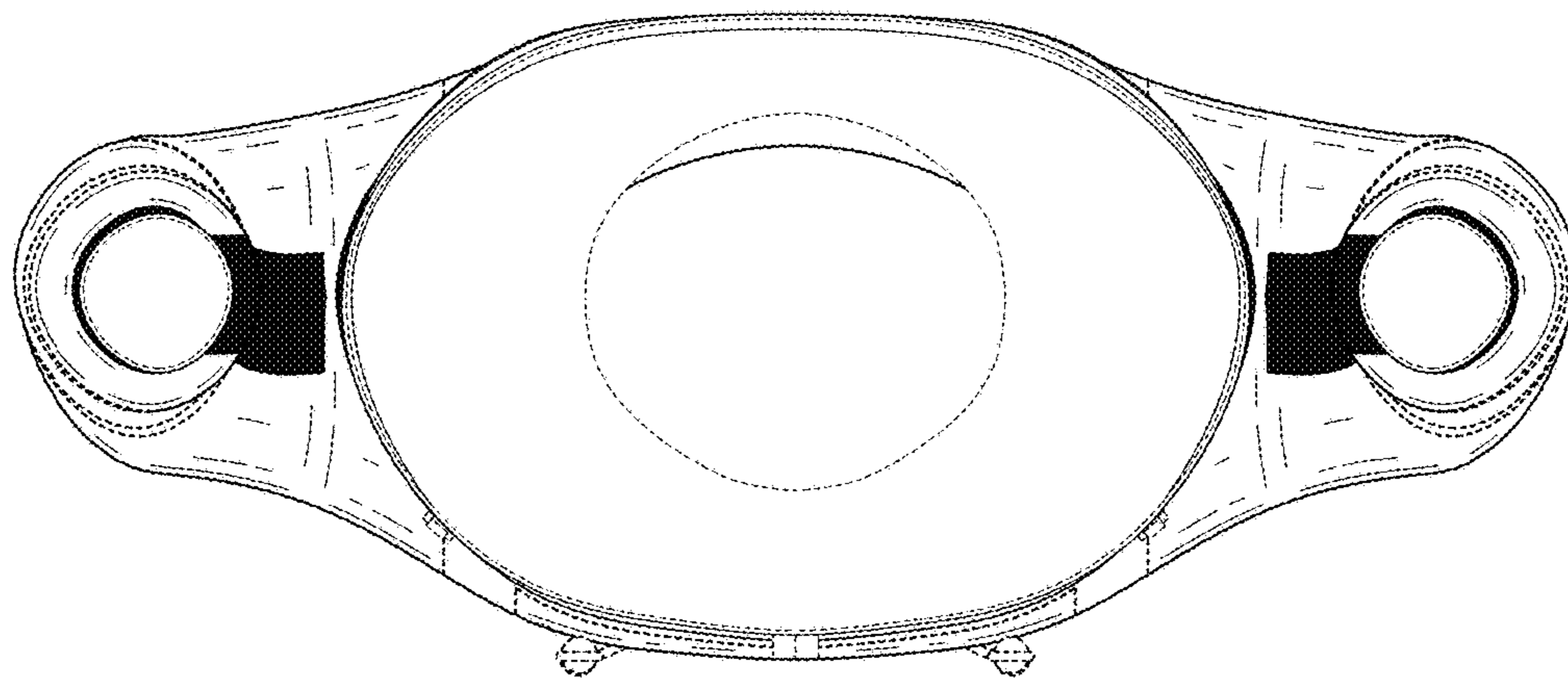


FIG. 4

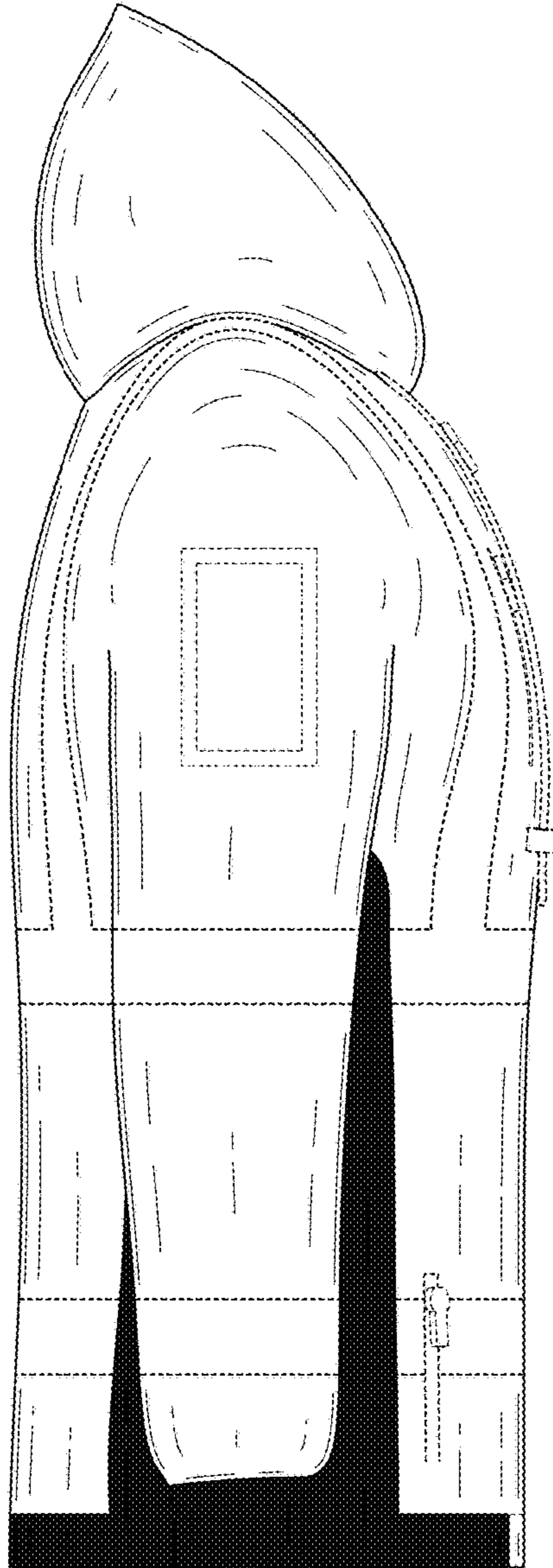


FIG. 5

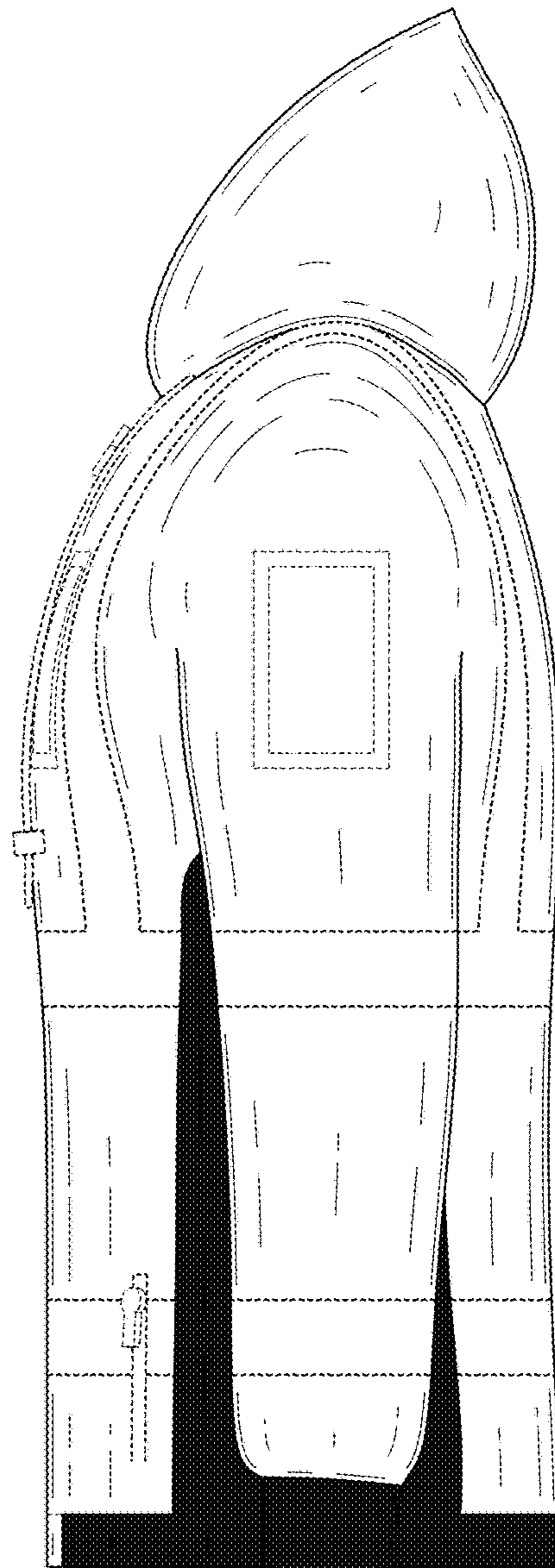


FIG. 6

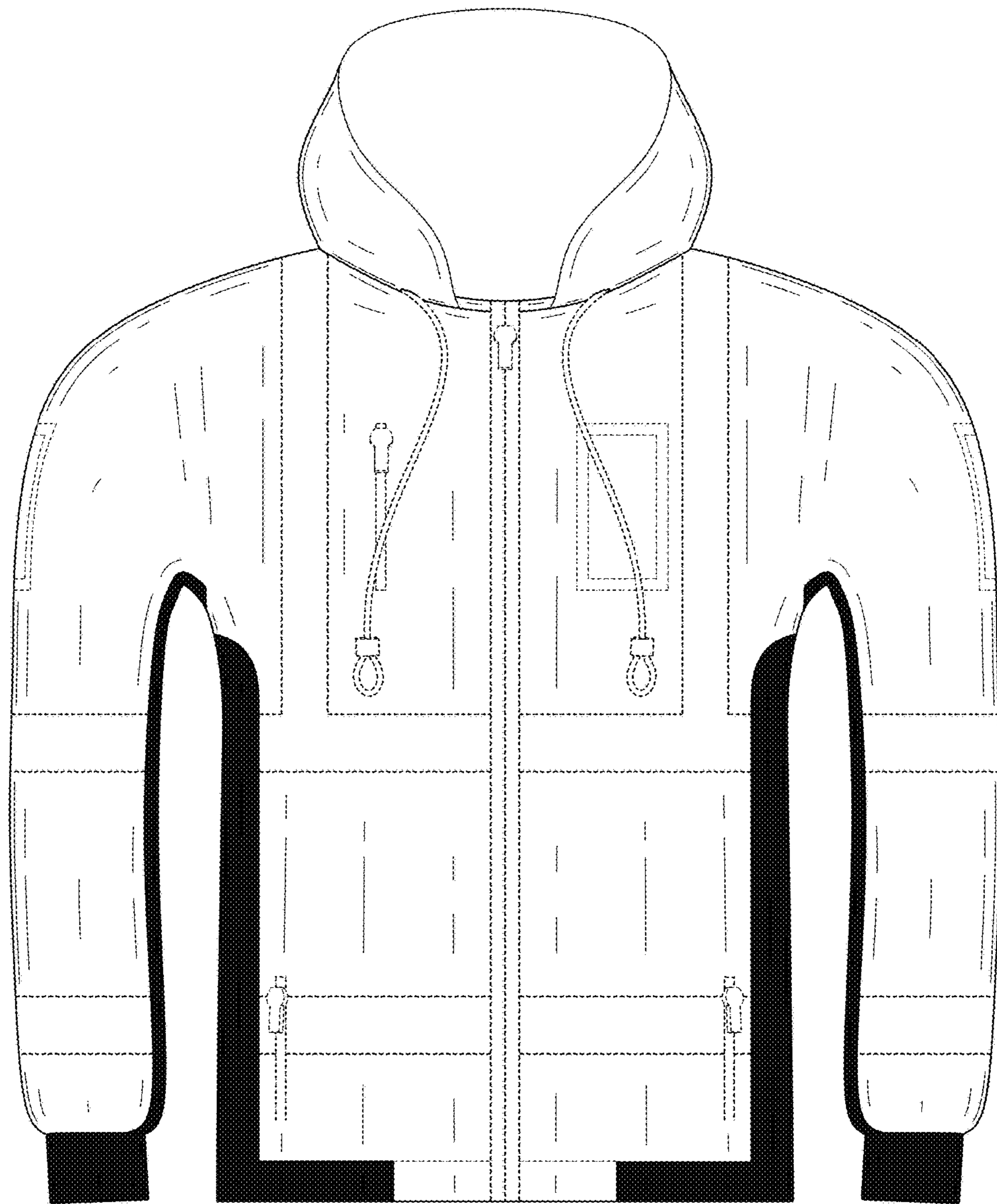


FIG. 7

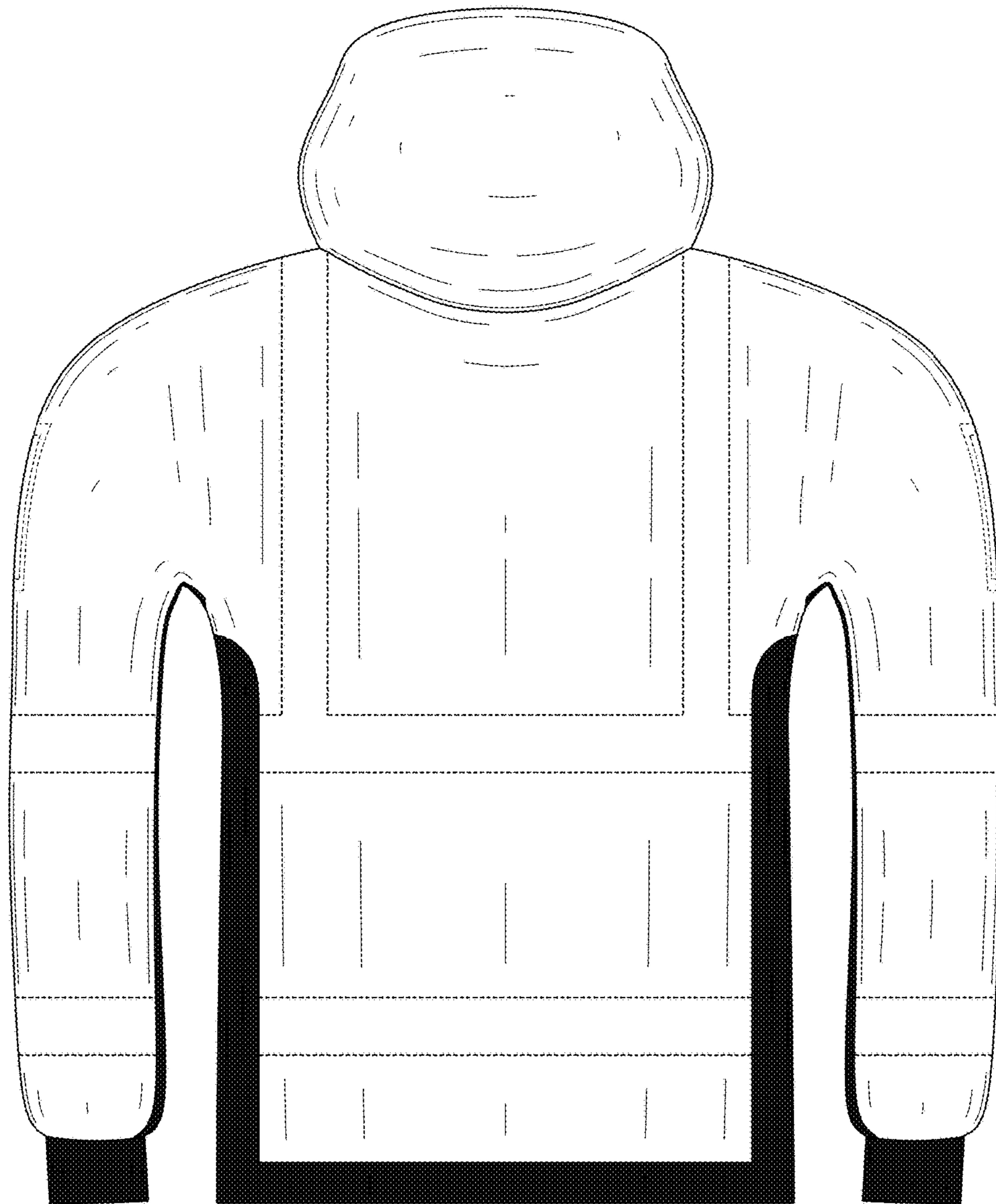


FIG. 8