



US00D845581S

(12) **United States Design Patent**
von Borstel

(10) **Patent No.:** **US D845,581 S**

(45) **Date of Patent:** **** Apr. 16, 2019**

(54) FOOD ITEM	2,074,278 A *	3/1937	Shapiro	A23G 9/506 426/139
(71) Applicant: JVB Industrial Design GmbH, Hamburg (DE)	2,114,205 A *	4/1938	Balton	A23G 9/506 426/139
(72) Inventor: Jan von Borstel, Hamburg (DE)	2,159,761 A *	5/1939	Fredrickson	A23G 9/506 229/932
(73) Assignee: JVB INDUSTRIAL DESIGN GMBH, Hamburg (DE)	2,248,448 A *	7/1941	Chester	A23G 9/506 426/139
(**) Term: 15 Years	D157,047 S *	1/1950	Heyman	D1/118
(21) Appl. No.: 29/669,251	D157,048 S *	1/1950	Heyman	D1/118
(22) Filed: Nov. 7, 2018	D372,792 S *	8/1996	Haas	D1/118
	D382,085 S *	8/1997	Sotile	D1/105
	D442,764 S *	5/2001	Jimenez	D1/105
	D499,227 S *	12/2004	Chilles	D1/118
	D837,480 S *	1/2019	von Borstel	D1/118

* cited by examiner

Related U.S. Application Data

(62) Division of application No. 29/602,314, filed on May 1, 2017, now Pat. No. Des. 837,480.

(51) **LOC (11) Cl.** **01-01**

(52) **U.S. Cl.**
USPC **D1/118; D1/130**

(58) **Field of Classification Search**

USPC D1/100–130, 199; 426/104, 115, 121, 426/129, 130, 144, 249, 274, 303, 414, 426/420; D21/386, 401, 722; D7/507, D7/675, 400; 220/574; D8/71; D24/122
CPC A23G 9/503; A23G 9/48; A23G 9/282; A23G 9/285; A23G 3/2023; A23L 1/0067; A21D 2/36; A21D 13/0029
See application file for complete search history.

(56) **References Cited**

U.S. PATENT DOCUMENTS

D56,386 S * 10/1920 Shapiro D1/118
D94,500 S * 2/1935 Leaf D1/118

Primary Examiner — Katie Jane Stofko

(74) *Attorney, Agent, or Firm* — Ladas & Parry LLP

(57) **CLAIM**

The ornamental design for a food item, as shown and described.

DESCRIPTION

FIG. 1 is a perspective view of a food item showing the new design;

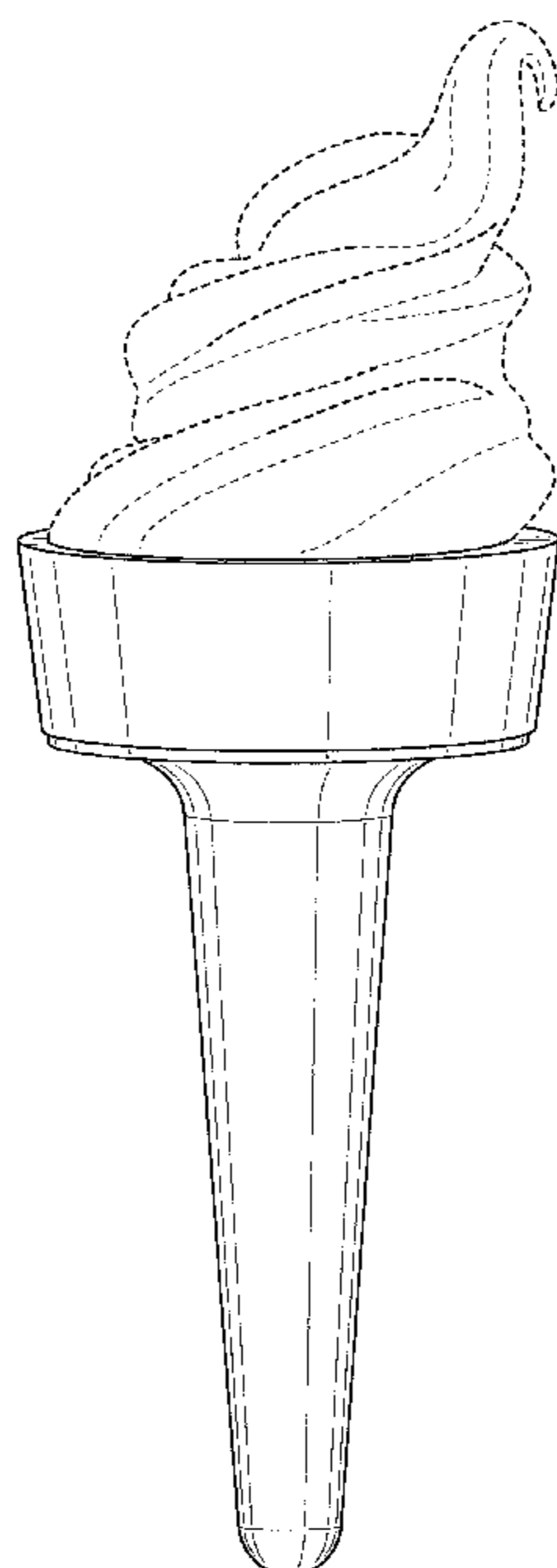
FIG. 2 is a side elevation view thereof;

FIG. 3 is a top plan view thereof; and,

FIG. 4 is a bottom plan view thereof.

The broken lines in FIG. 1 show environment that forms no part of the claimed design, while the broken lines in FIG. 3 illustrate portions of the food item that form no part of the claimed design. The food item is radially symmetrical about its central vertical axis. Thus only one elevation view is shown.

1 Claim, 4 Drawing Sheets



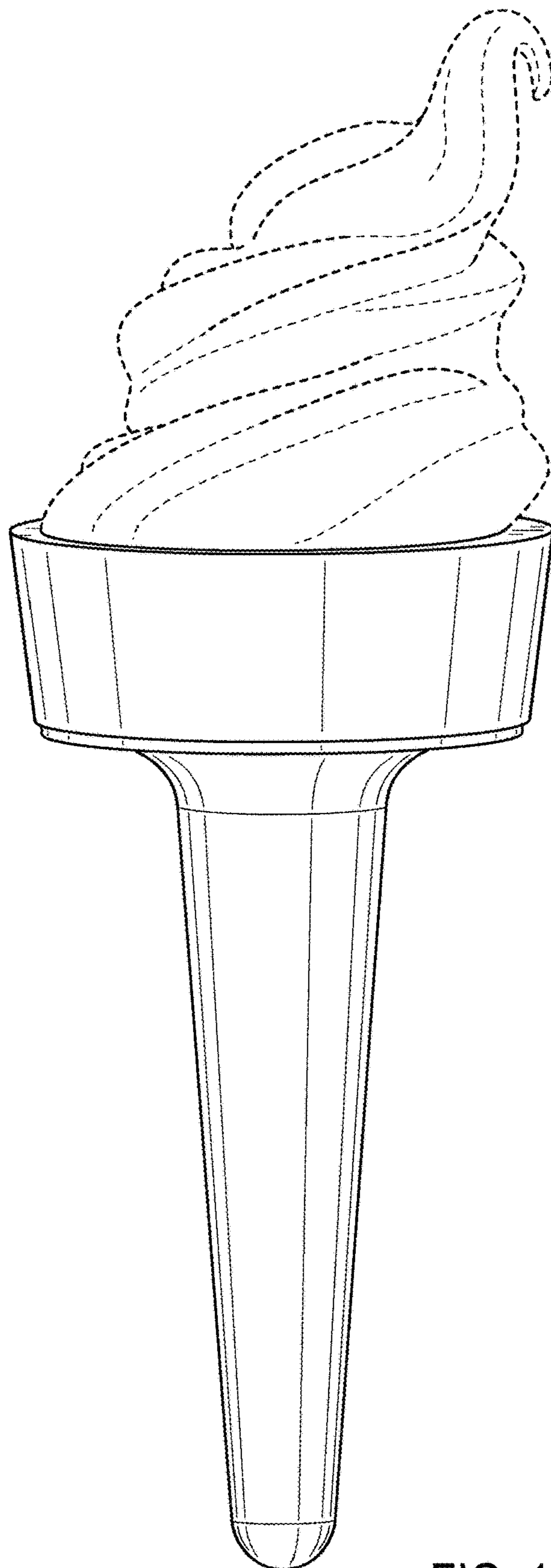


FIG. 1

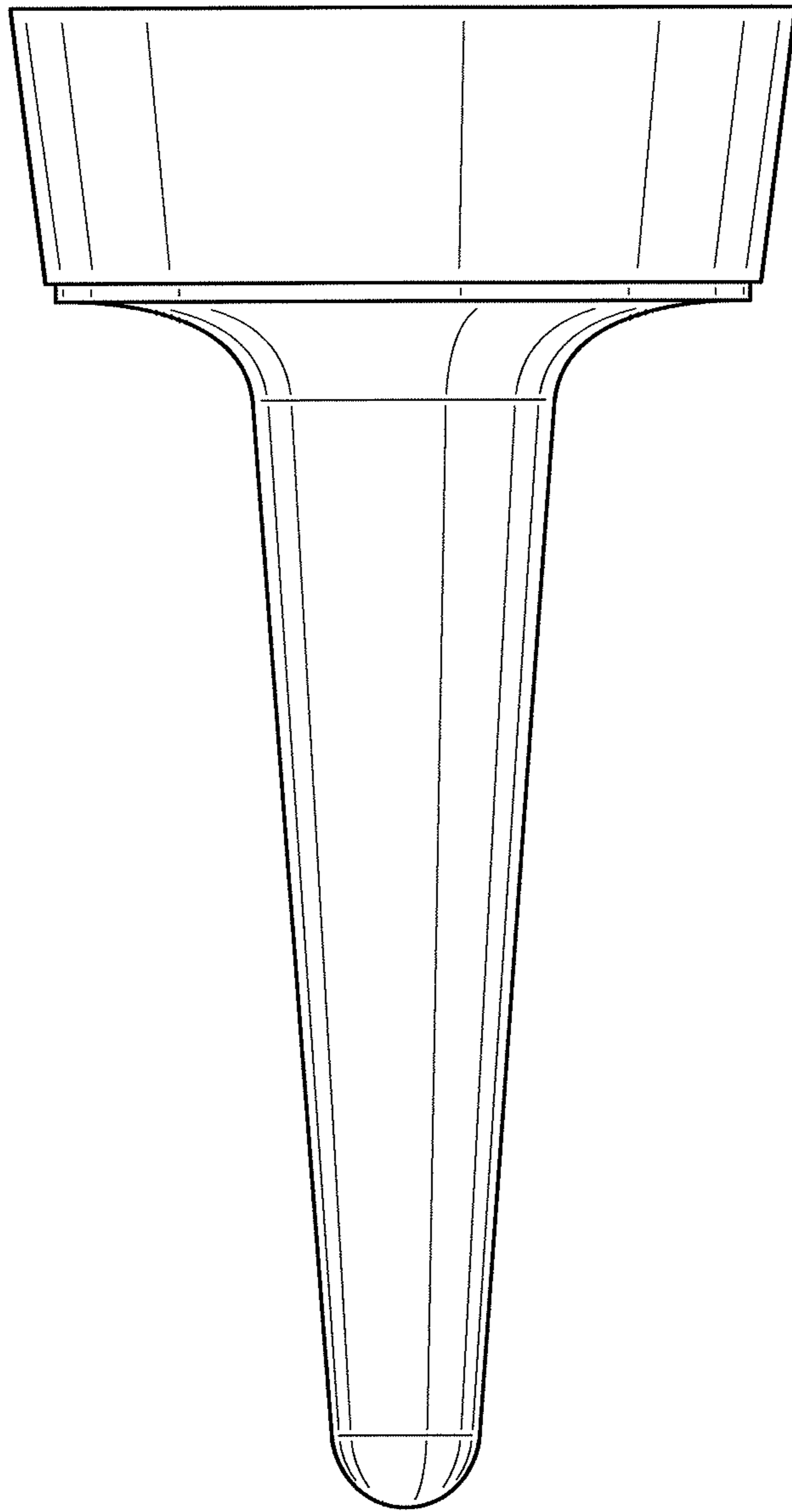


FIG. 2

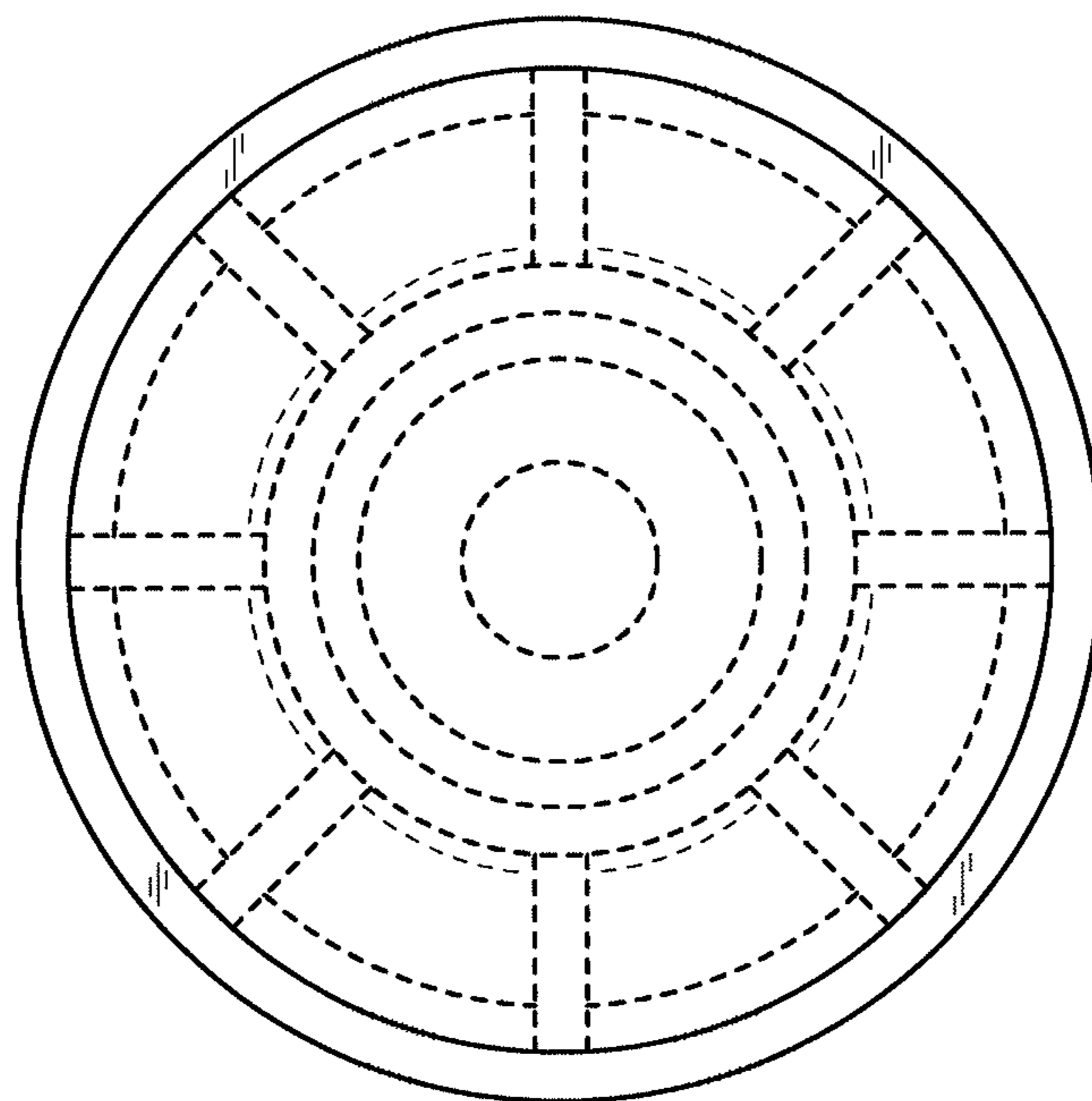


FIG. 3

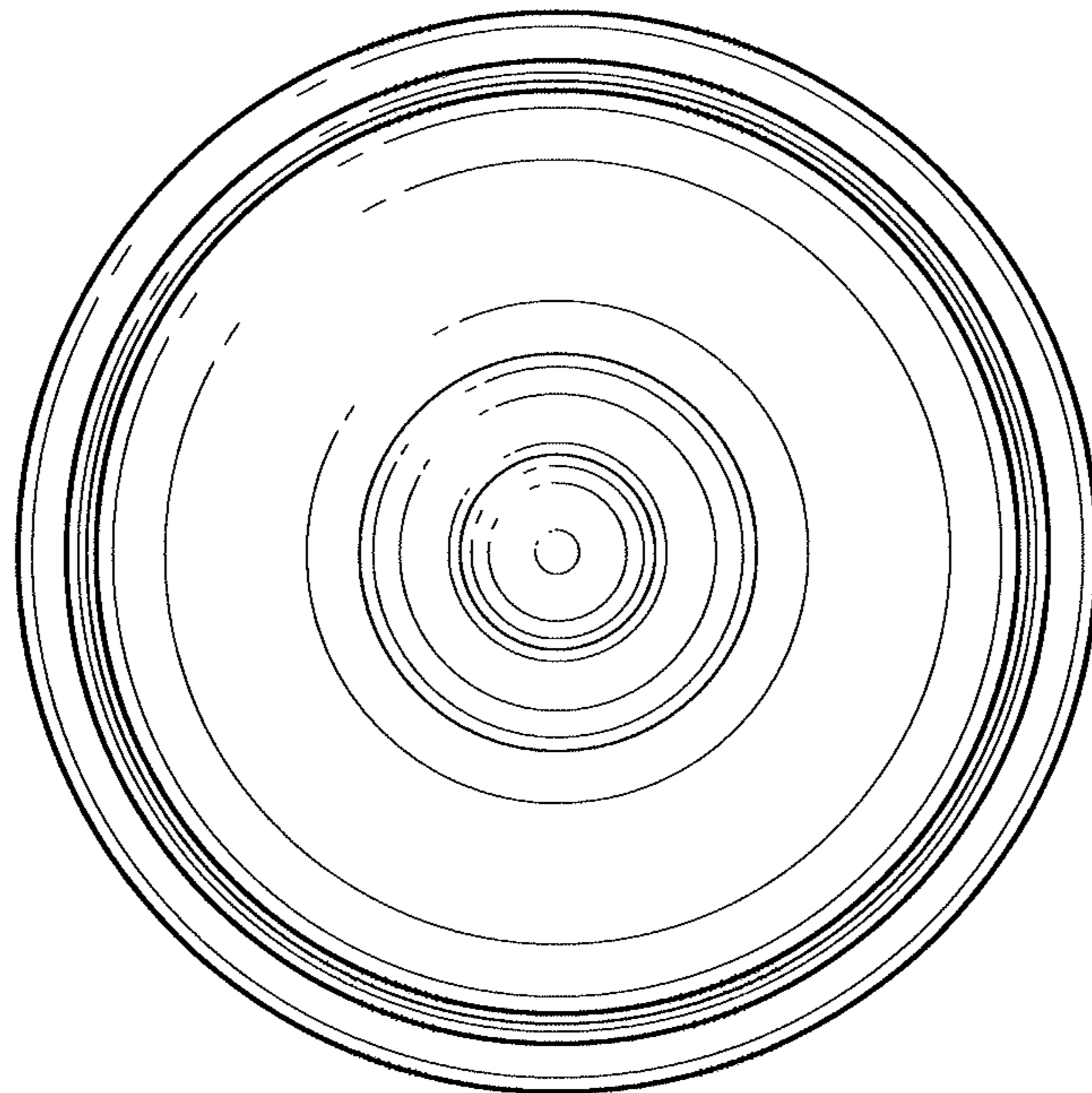


FIG. 4