



US00D845580S

(12) **United States Design Patent** (10) **Patent No.:** **US D845,580 S**  
**von Borstel** (45) **Date of Patent:** **\*\* Apr. 16, 2019**

- (54) **FOOD ITEM**
- (71) Applicant: **JVB Industrial Design GmbH**,  
Hamburg (DE)
- (72) Inventor: **Jan von Borstel**, Hamburg (DE)
- (73) Assignee: **JVB INDUSTRIAL DESIGN GMBH**,  
Hamburg (DE)
- (\*\*) Term: **15 Years**
- (21) Appl. No.: **29/669,250**
- (22) Filed: **Nov. 7, 2018**

D94,500 S *	2/1935	Leaf	.....	D1/118
2,074,278 A *	3/1937	Shapiro	.....	A23G 9/506
				426/139
2,114,205 A *	4/1938	Balton	.....	A23G 9/506
				426/139
2,159,761 A *	5/1939	Fredrickson	.....	A23G 9/506
				229/932
2,248,448 A *	7/1941	Chester	.....	A23G 9/506
				426/139
D153,354 S *	4/1949	Heyman	.....	D1/118
D157,047 S *	1/1950	Heyman	.....	D1/118
D157,048 S *	1/1950	Heyman	.....	D1/118
D340,343 S *	10/1993	Rizikow	.....	D1/116
D372,792 S *	8/1996	Haas	.....	D1/118
D499,227 S *	12/2004	Chilles	.....	D1/118

\* cited by examiner

**Related U.S. Application Data**

- (62) Division of application No. 29/602,314, filed on May 1, 2017, now Pat. No. Des. 837,480.
- (51) **LOC (11) Cl.** ..... **01-01**
- (52) **U.S. Cl.**  
USPC ..... **D1/118; D1/130**
- (58) **Field of Classification Search**  
USPC ..... D1/100–130, 199; 426/104, 115, 121,  
426/129, 130, 144, 249, 274, 303, 414,  
426/420; D21/386, 401, 722; D7/507,  
D7/675, 400; 220/574; D8/71; D24/122  
CPC ..... A23G 9/503; A23G 9/48; A23G 9/282;  
A23G 9/285; A23G 3/2023; A23L  
1/0067; A21D 2/36; A21D 13/0029  
See application file for complete search history.

*Primary Examiner* — Katie Jane Stofko  
(74) *Attorney, Agent, or Firm* — Ladas & Parry LLP

(57) **CLAIM**

The ornamental design for a food item, as shown and described.

**DESCRIPTION**

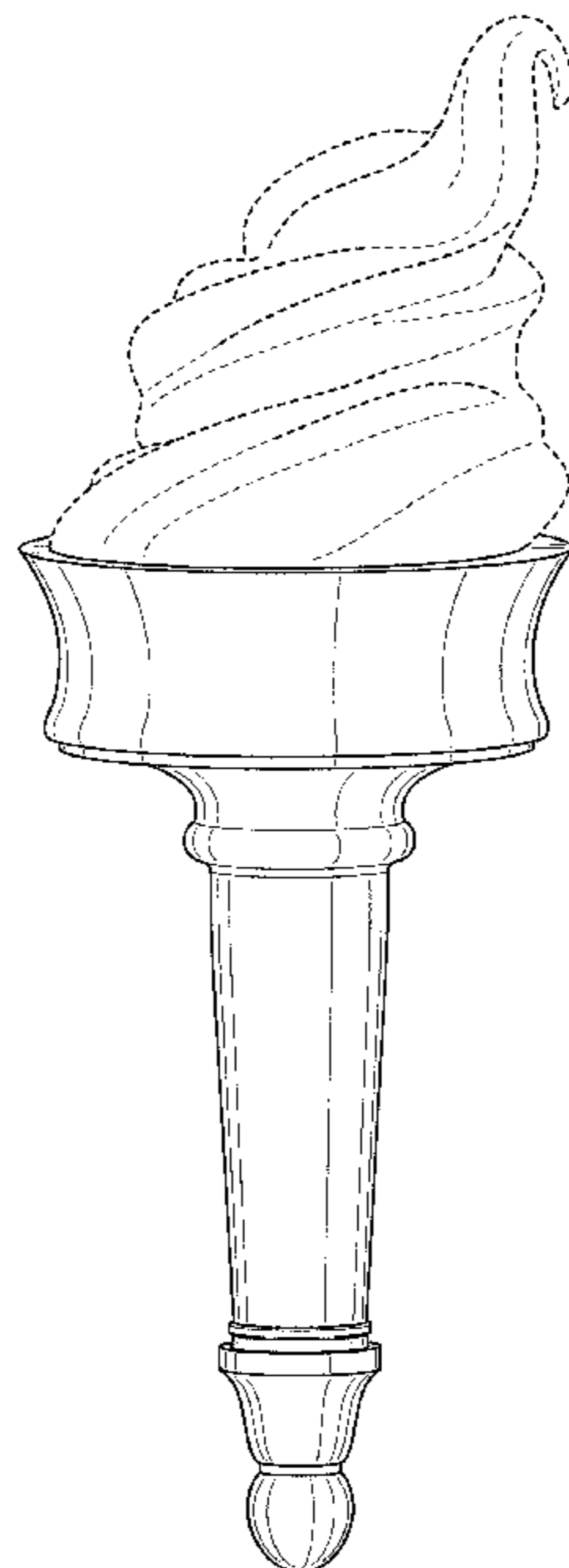
FIG. 1 is a perspective view of a food item showing the new design;  
FIG. 2 is a side elevation view thereof;  
FIG. 3 is a top plan view thereof; and,  
FIG. 4 is a bottom plan view thereof.  
The broken lines in FIG. 1 show environment that forms no part of the claimed design, while the broken lines in FIG. 3 illustrate portions of the food item that form no part of the claimed design. The food item is radially symmetrical about its central vertical axis. Thus only one elevation view is shown.

(56) **References Cited**

**U.S. PATENT DOCUMENTS**

D67,398 S *	5/1925	Denaro	.....	D1/118
D94,499 S *	2/1935	Leaf	.....	D1/118

**1 Claim, 4 Drawing Sheets**



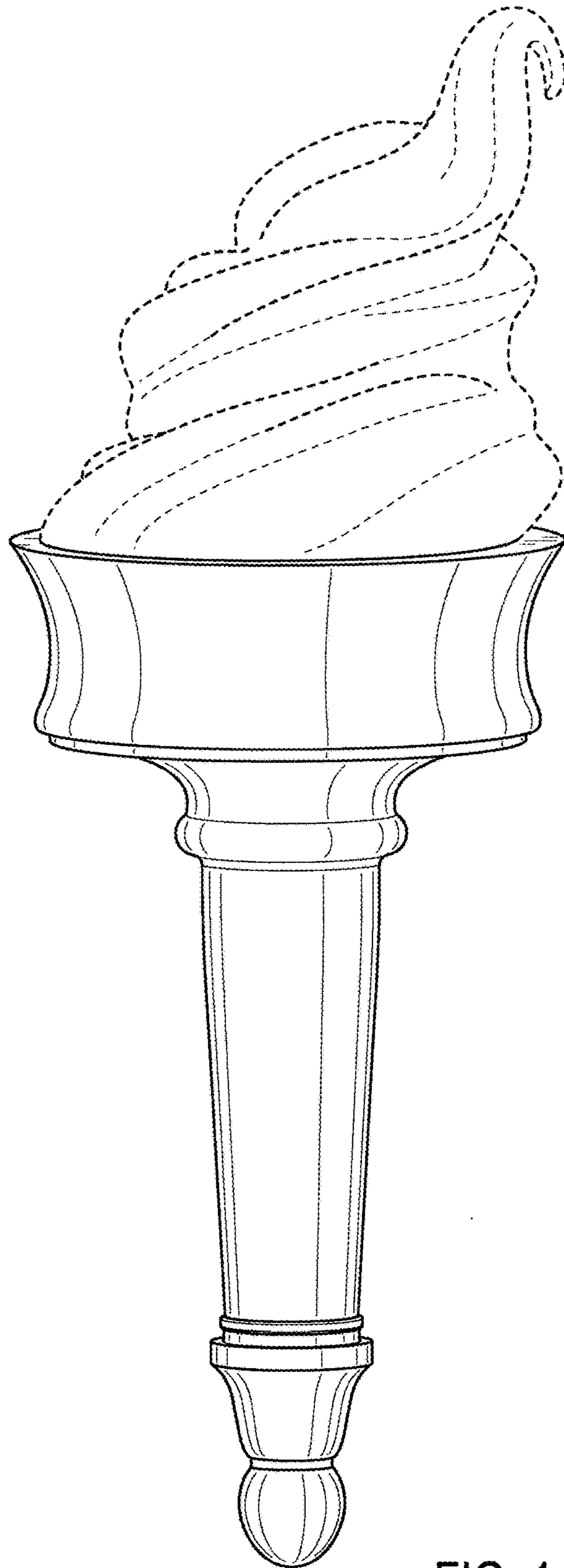


FIG. 1

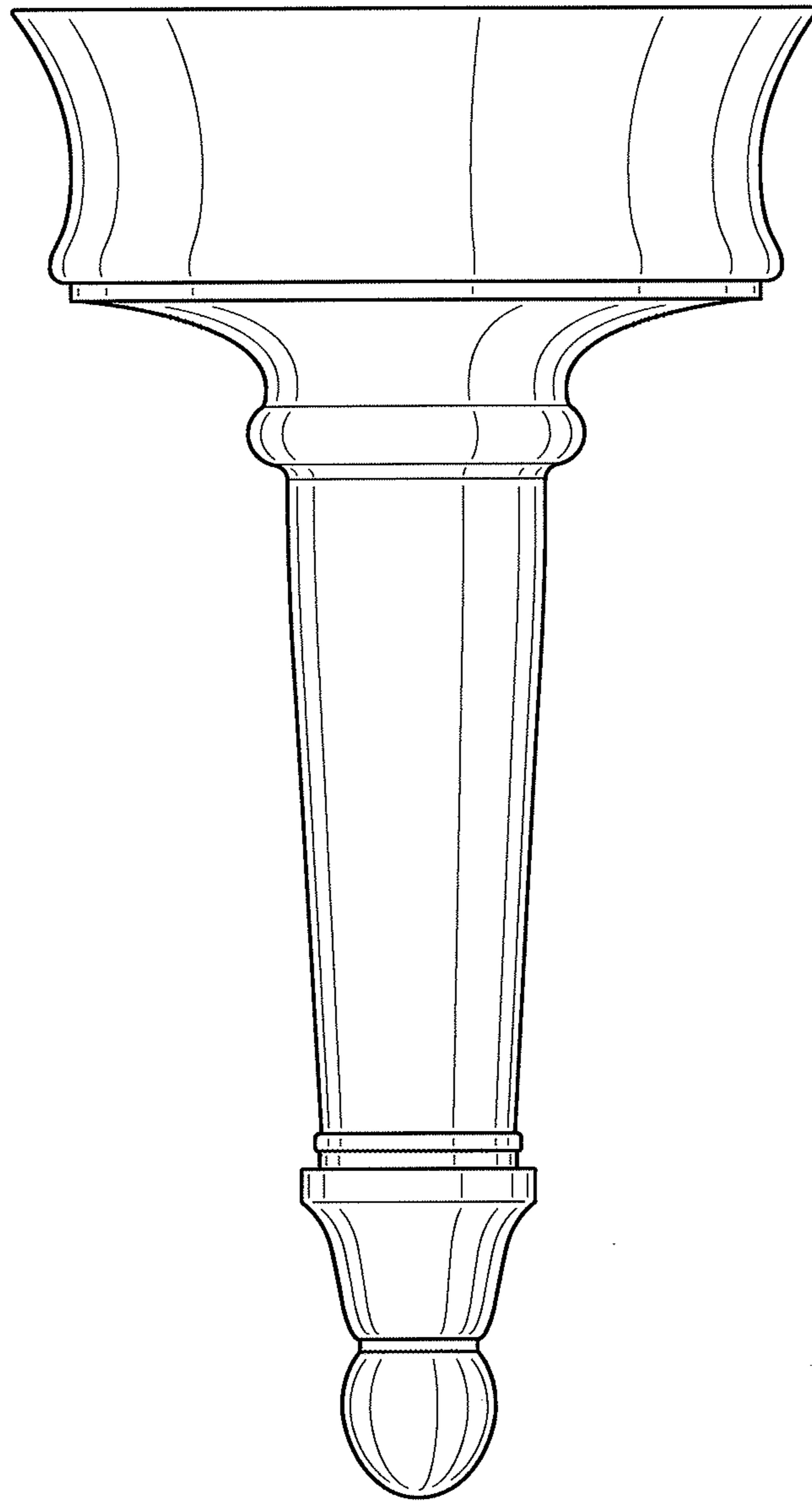


FIG. 2

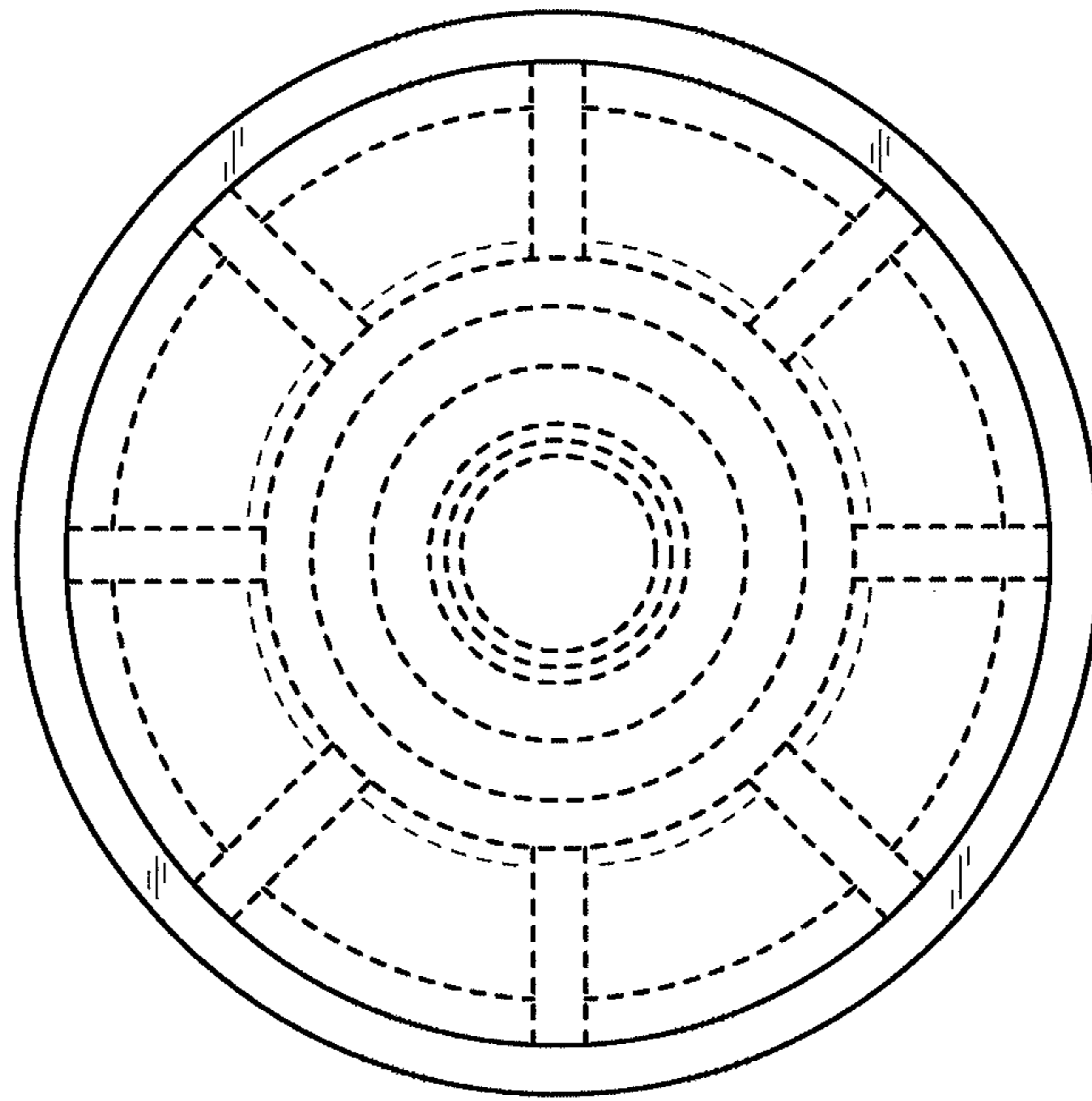


FIG. 3

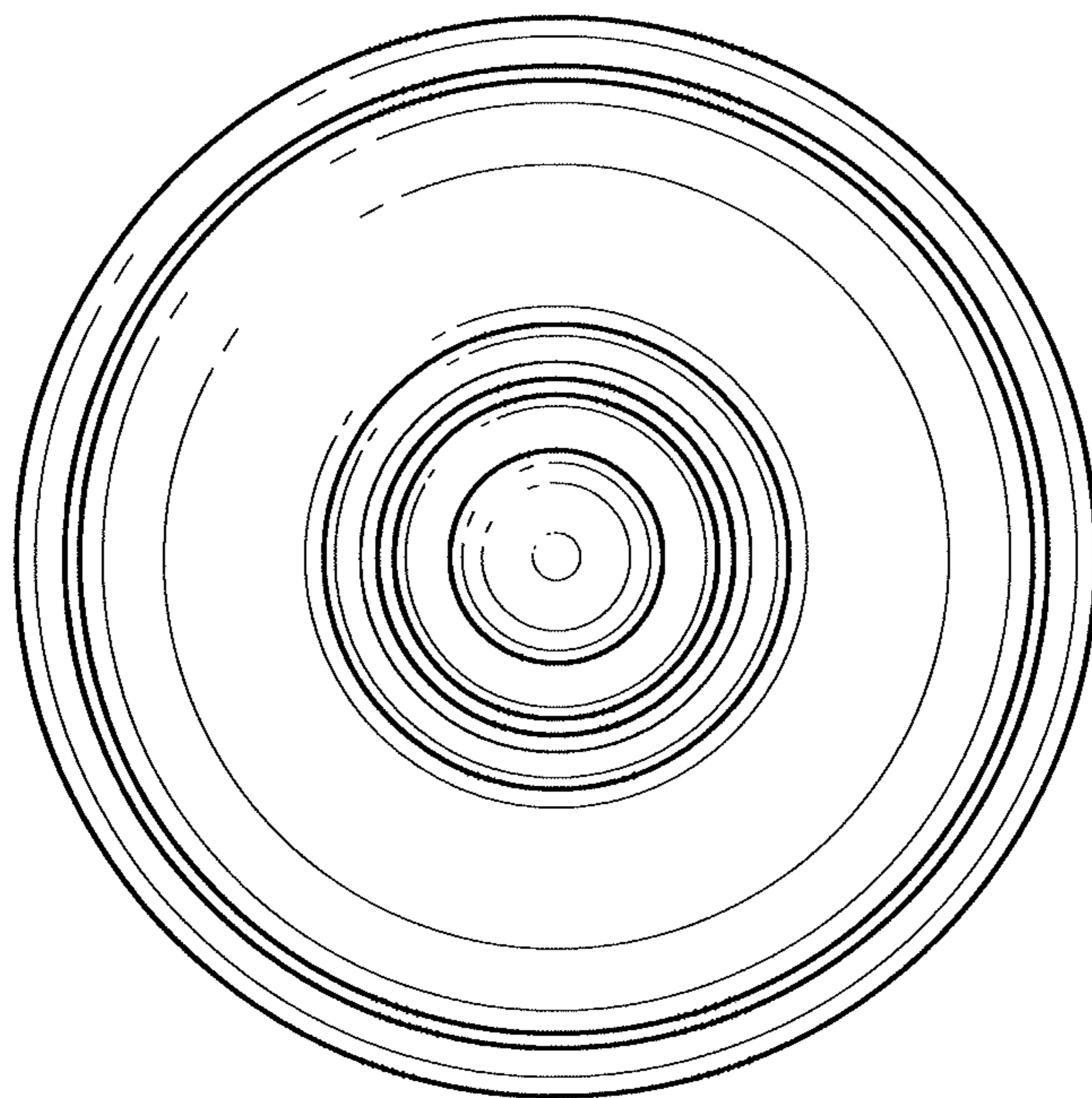


FIG. 4