



US00D845576S

(12) **United States Design Patent** (10) **Patent No.:** **US D845,576 S**
Lu (45) **Date of Patent:** **** Apr. 9, 2019**

(54) **TRASH CAN**

(71) Applicant: **Jinlong Industrial Co., Ltd**, Jiangmen, Guangdong Province (CN)

(72) Inventor: **Huanbang Lu**, Jiangmen (CN)

(73) Assignee: **Jinlong Industrial Co., Ltd.**, Jiangmen, Guangdong Province (CN)

(**) Term: **15 Years**

(21) Appl. No.: **29/587,861**

(22) Filed: **Dec. 15, 2016**

(30) **Foreign Application Priority Data**

Oct. 13, 2016 (CN) 2016 3 0502054
Oct. 13, 2016 (CN) 2016 3 0502353

(51) **LOC (11) Cl.** **09-09**

(52) **U.S. Cl.**
USPC **D34/9**

(58) **Field of Classification Search**
USPC D34/1, 7, 9; 220/908-913, 262-264
CPC . B65F 1/163; B65F 2250/114; B65F 2230/00
See application file for complete search history.

(56) **References Cited**

U.S. PATENT DOCUMENTS

D490,583 S * 5/2004 Yang D34/9
D759,934 S * 6/2016 Yang D34/11

D769,564 S * 10/2016 Chen D34/9
D771,344 S * 11/2016 Yang D34/9
D773,145 S * 11/2016 Yang D34/9
D773,769 S * 12/2016 Chen D34/9

* cited by examiner

Primary Examiner — Cynthia Ramirez

(74) *Attorney, Agent, or Firm* — Chernoff, Vilhauer, McClung & Stenzel, LLP

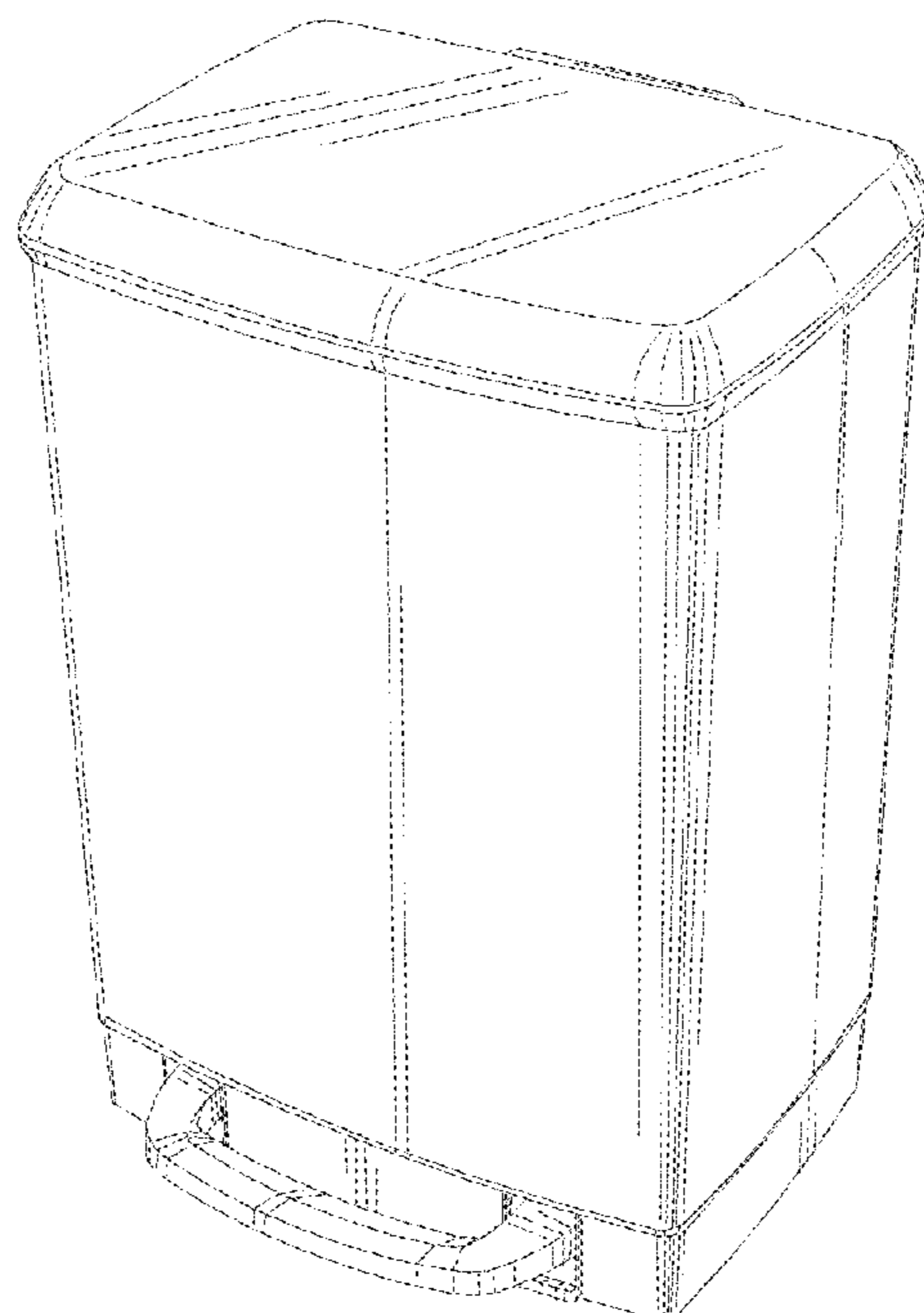
(57) **CLAIM**

The ornamental design for a trash can, as shown and described.

DESCRIPTION

FIG. 1 is a perspective view of a trash can showing my new design;
FIG. 2 is a front view thereof;
FIG. 3 is a rear view thereof;
FIG. 4 is a left view thereof;
FIG. 5 is a right view thereof;
FIG. 6 is a top view thereof; and,
FIG. 7 is a bottom view thereof.
The broken lines shown in the drawings are for the purpose of illustrating portions of the trash can that form no part of the claimed design.

1 Claim, 7 Drawing Sheets



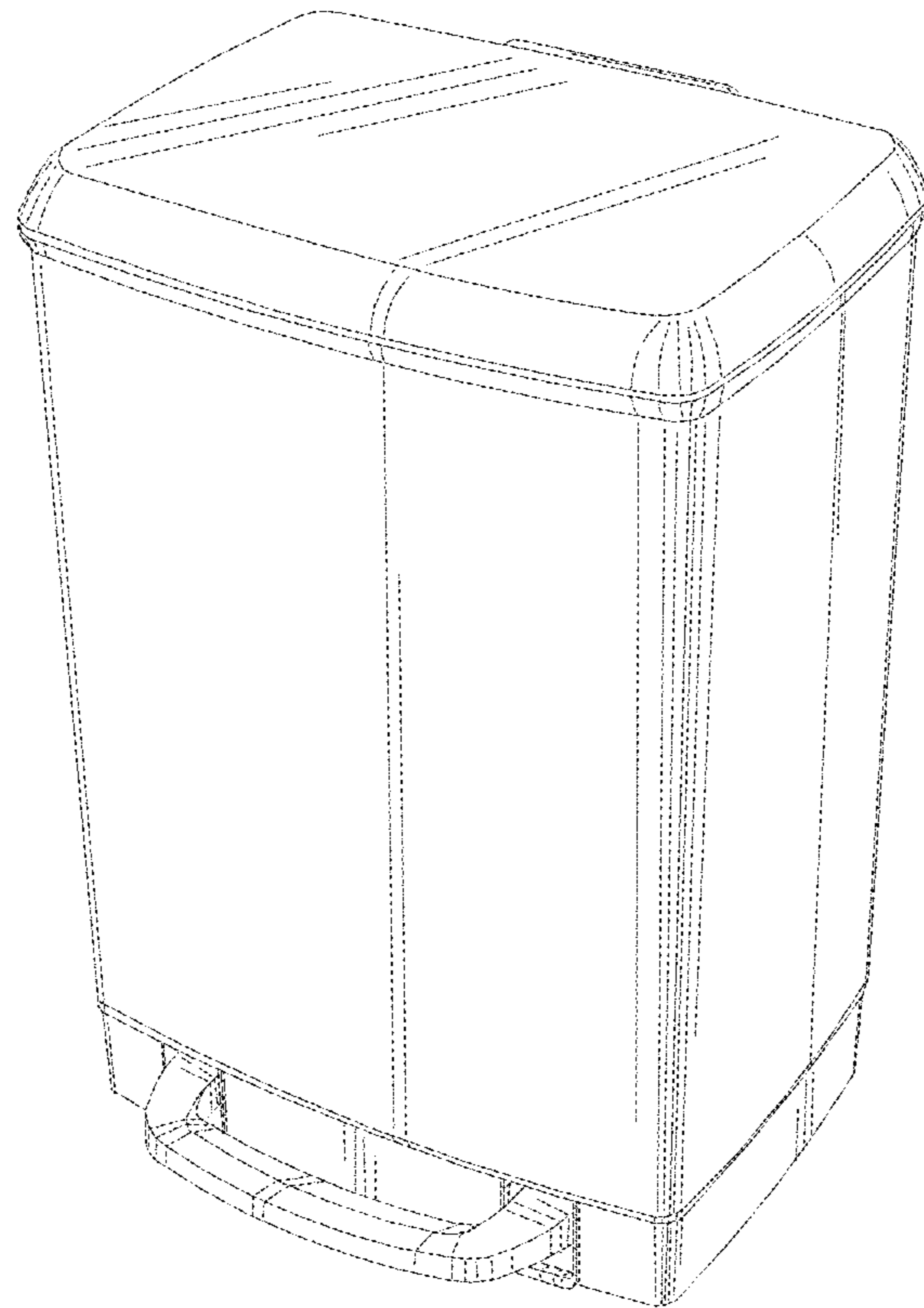


FIG. 1

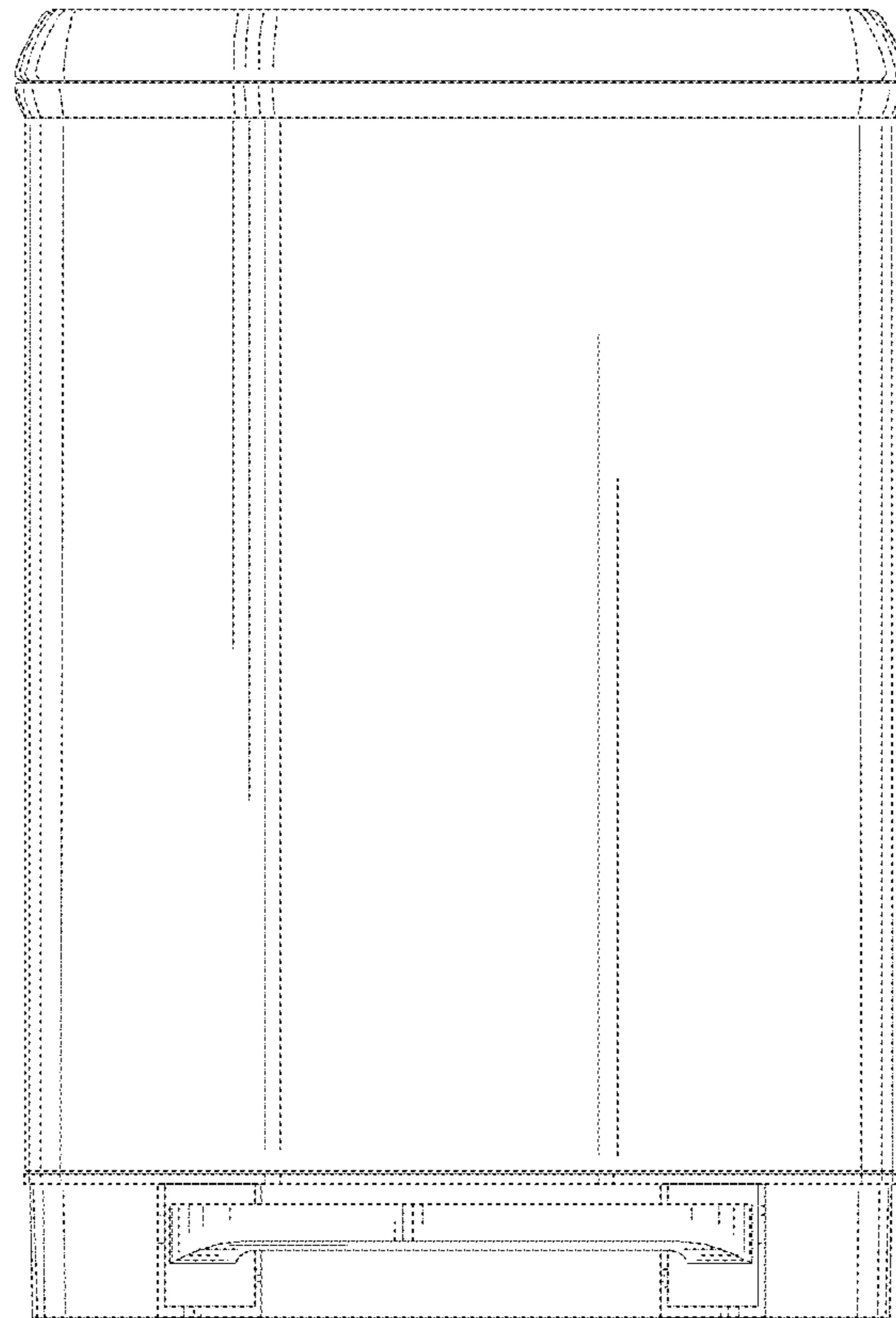


FIG.2

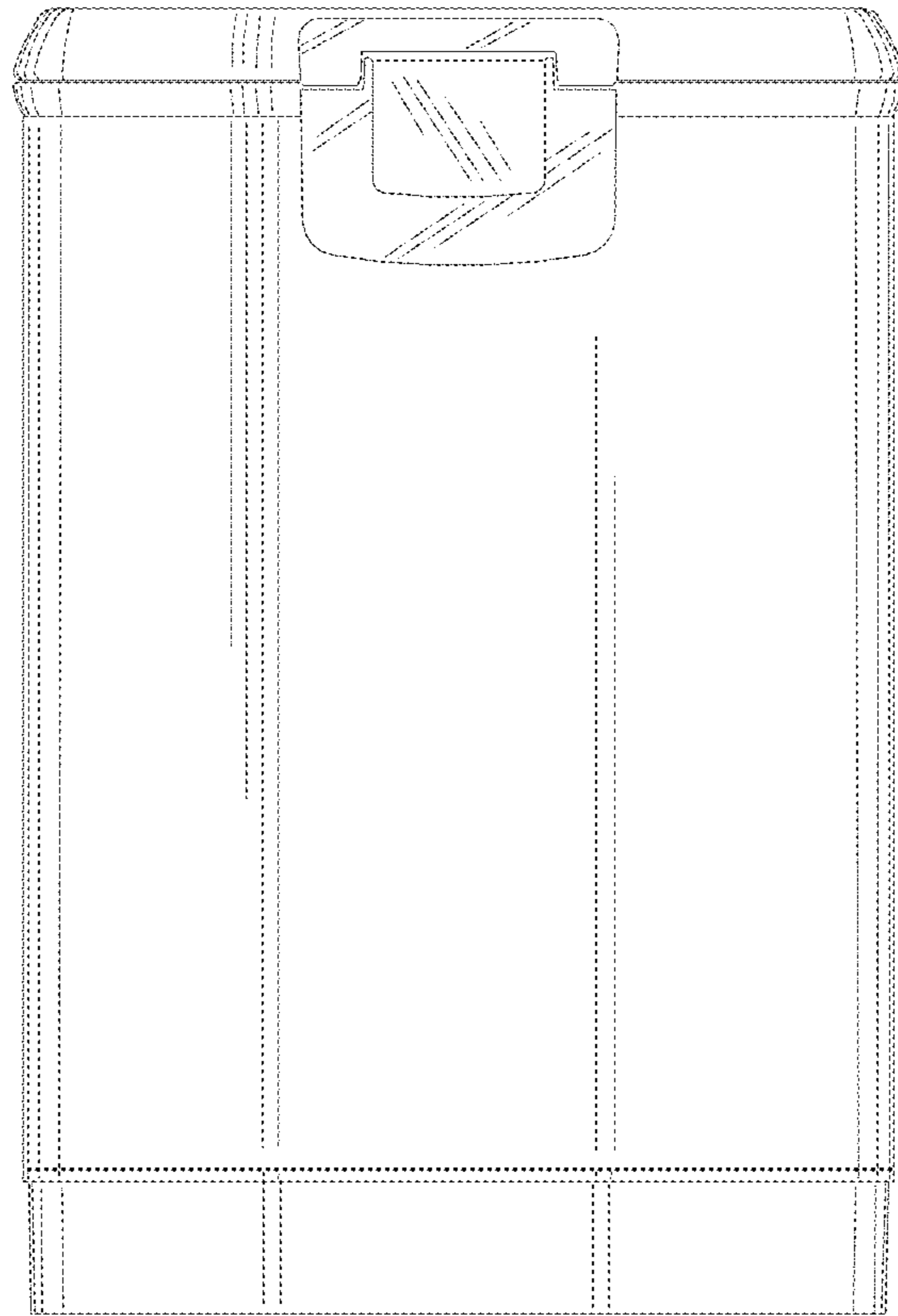


FIG.3

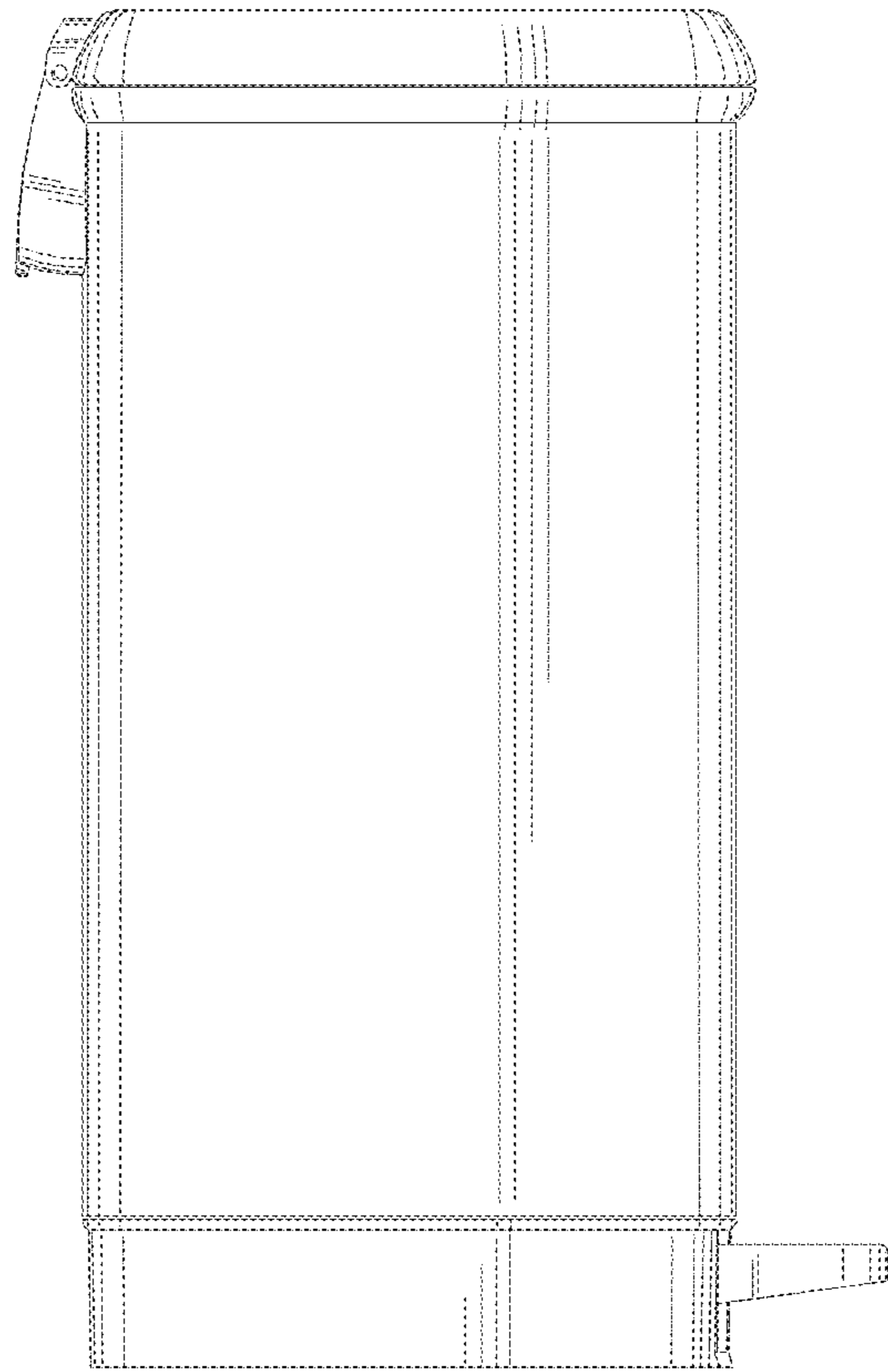


FIG.4

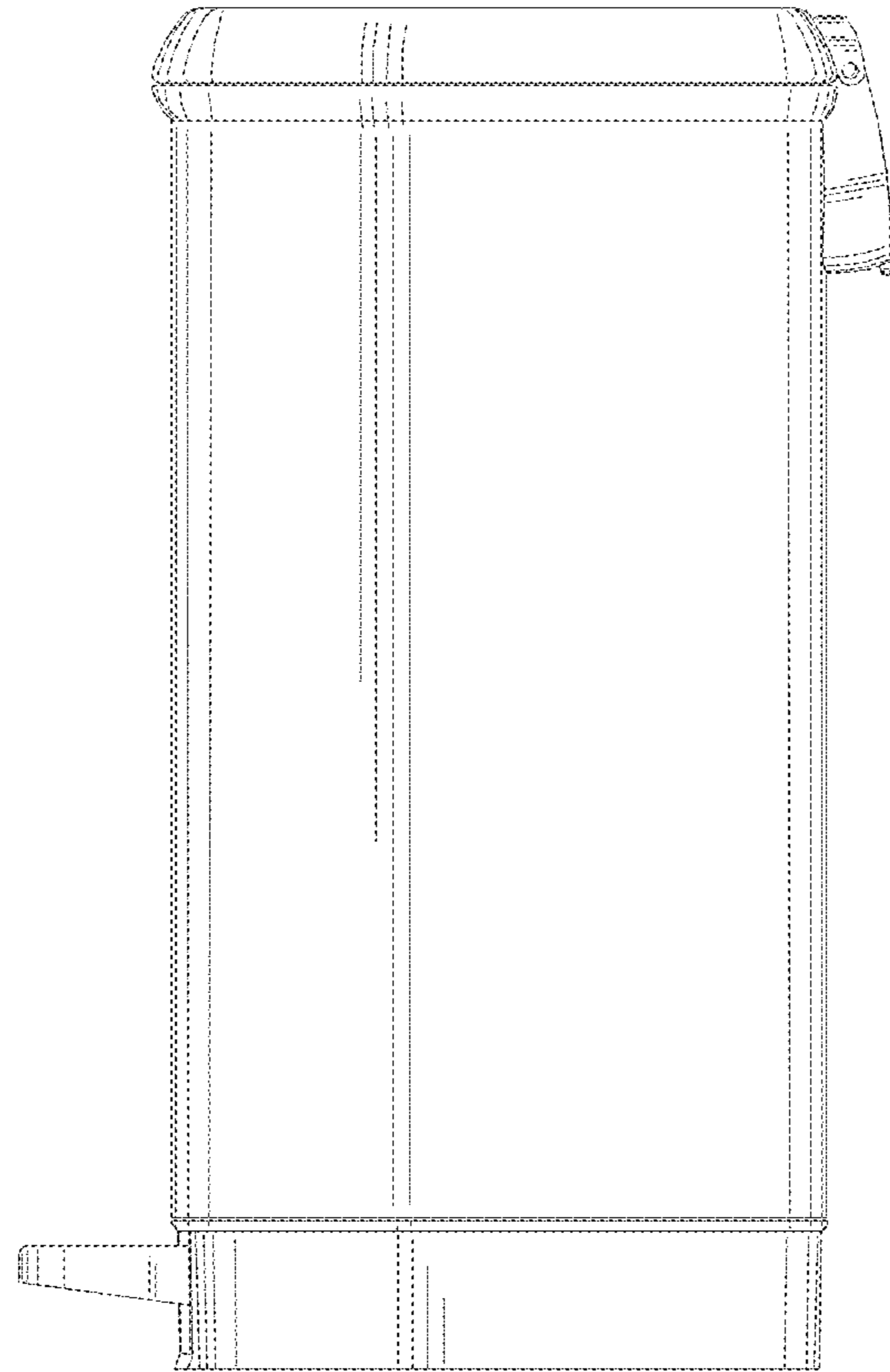


FIG.5

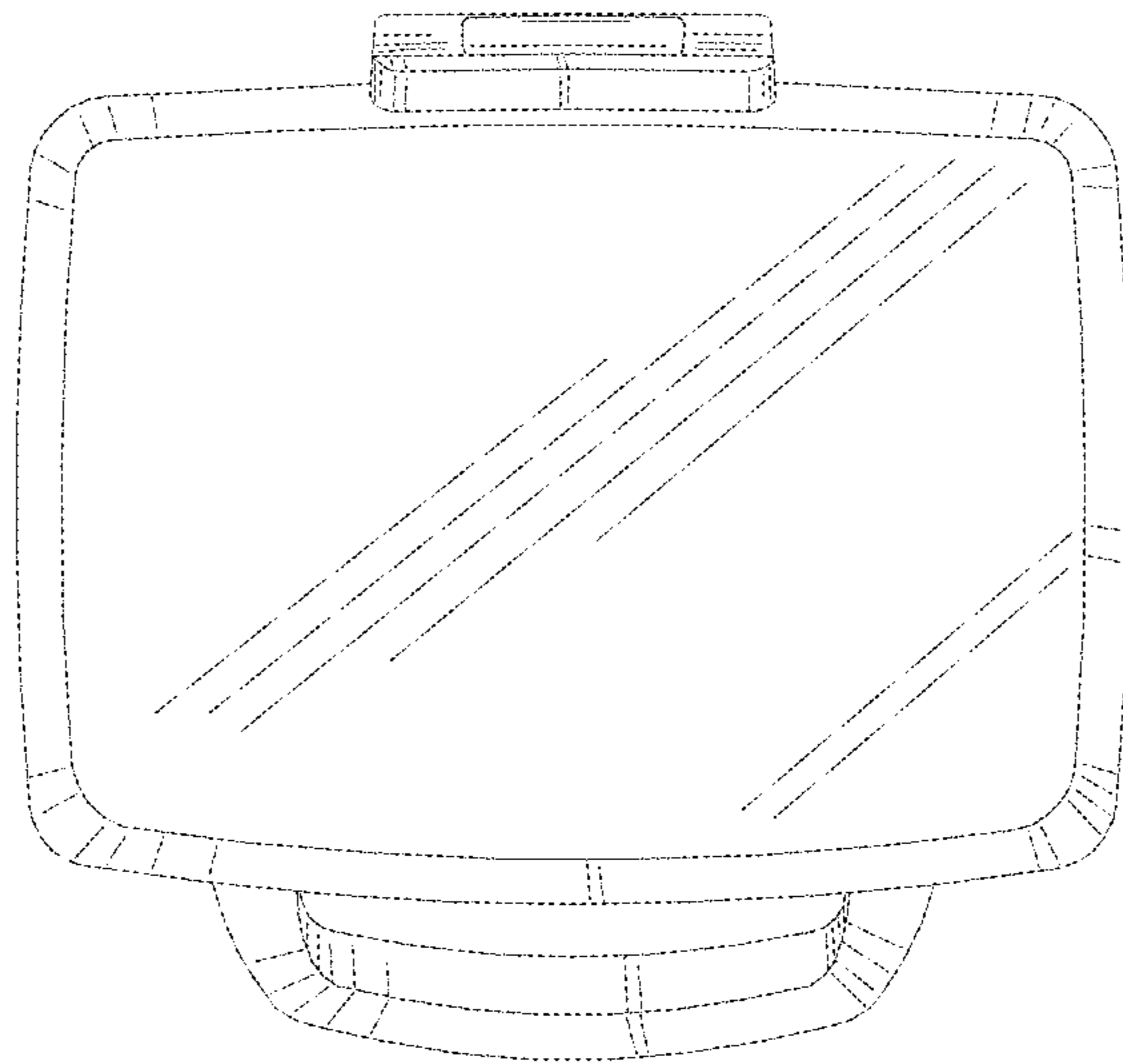


FIG.6

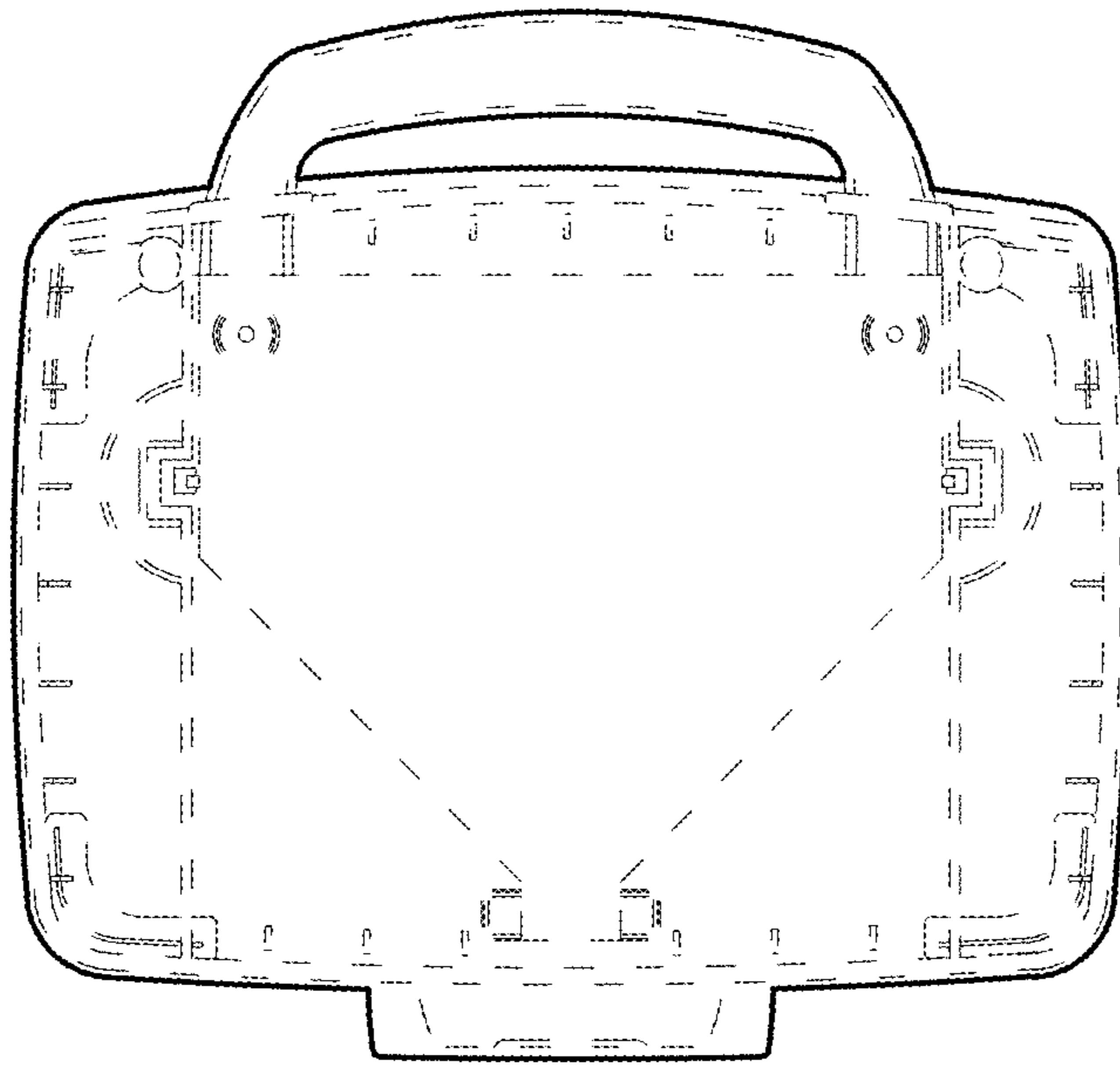


FIG.7