



US00D845575S

(12) **United States Design Patent**
Hutton et al.

(10) **Patent No.:** **US D845,575 S**
(45) **Date of Patent:** **** Apr. 9, 2019**

(54) **BAG CADDY**

D356,198 S * 3/1995 Litin D34/12
D470,641 S * 2/2003 Emerzian D34/12
D649,192 S * 11/2011 Beukema D19/75

(71) Applicant: **Herman Miller, Inc.**, Zeeland, MI (US)

(72) Inventors: **Robert Hutton**, Providence, RI (US);
Ayako Takase, Providence, RI (US)

(73) Assignee: **Herman Miller, Inc.**, Zeeland, MI (US)

(**) Term: **15 Years**

(21) Appl. No.: **29/598,032**

(22) Filed: **Mar. 22, 2017**

(51) **LOC (11) Cl.** **09-09**

(52) **U.S. Cl.**
USPC **D34/5**

(58) **Field of Classification Search**
USPC D34/12-27; 280/47.35
CPC B62B 3/02; B62B 3/10; B62B 3/006
See application file for complete search history.

(56) **References Cited**

U.S. PATENT DOCUMENTS

D193,240 S * 7/1962 Whatley D34/15
D277,532 S * 2/1985 Duhamel D34/17
4,953,878 A * 9/1990 Sbragia B62B 3/027
280/30
D352,147 S * 11/1994 Dymont D34/12

OTHER PUBLICATIONS

“Soto Mobile Caddy”, Steelcase Store website, (2016), <http://store.steelcase.com/accessories/desktop-tools/soto-ii-mobile-caddy>, (1 page).

* cited by examiner

Primary Examiner — Cynthia Ramirez

(74) *Attorney, Agent, or Firm* — Michael Best & Friedrich LLP

(57) **CLAIM**

We claim the ornamental design for a bag caddy, as shown and described.

DESCRIPTION

FIG. 1 is a perspective view of a bag caddy embodying the invention.

FIG. 2 is a front view of the bag caddy of FIG. 1.

FIG. 3 is a rear view of the bag caddy of FIG. 1.

FIG. 4 is a first side view of the bag caddy of FIG. 1.

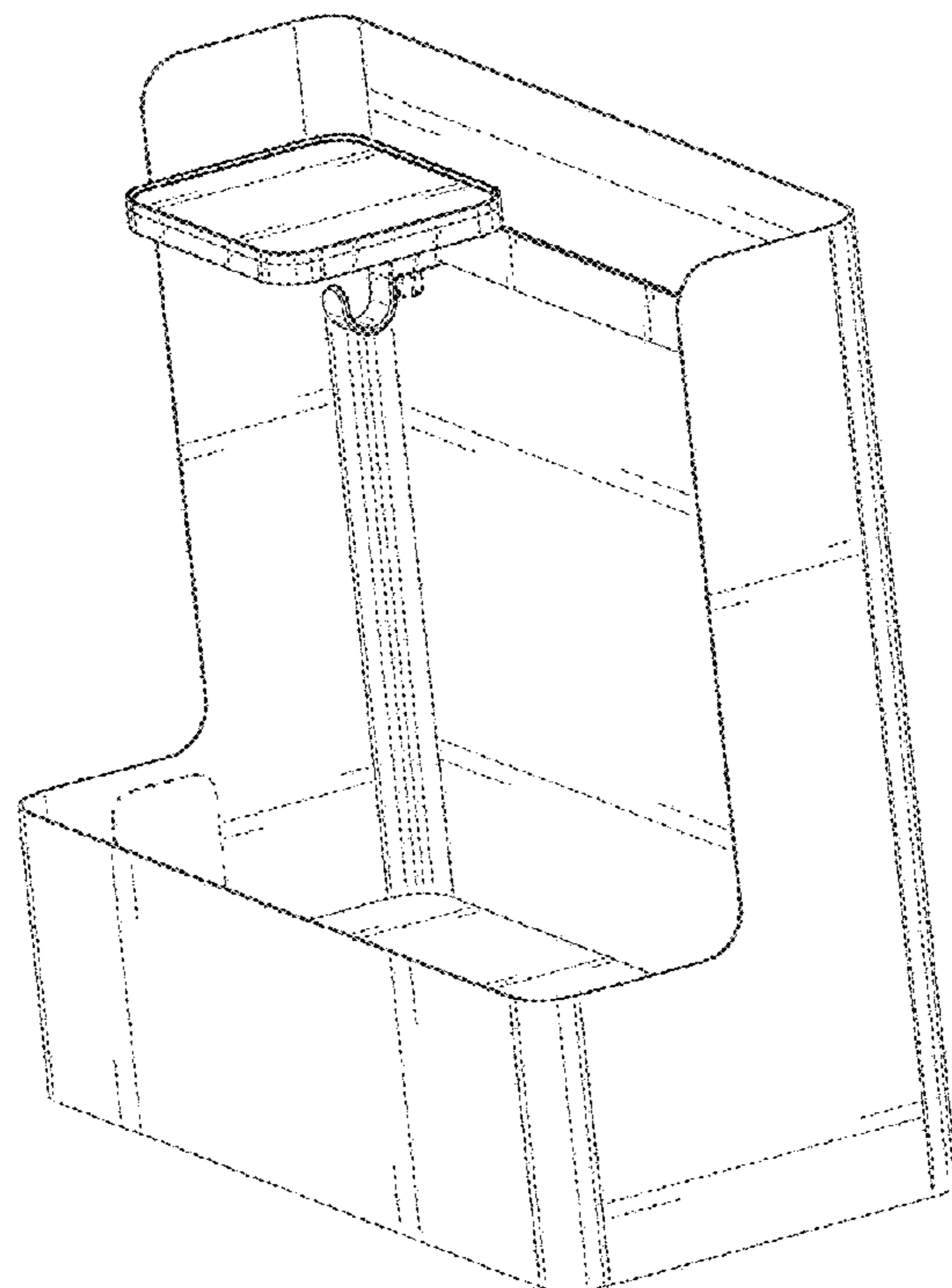
FIG. 5 is a second side view of the bag caddy of FIG. 1.

FIG. 6 is a top view of the bag caddy of FIG. 1; and,

FIG. 7 is a bottom view of the bag caddy of FIG. 1.

The broken lines in the figures show portions of the bag caddy that form no part of the claimed design.

1 Claim, 6 Drawing Sheets



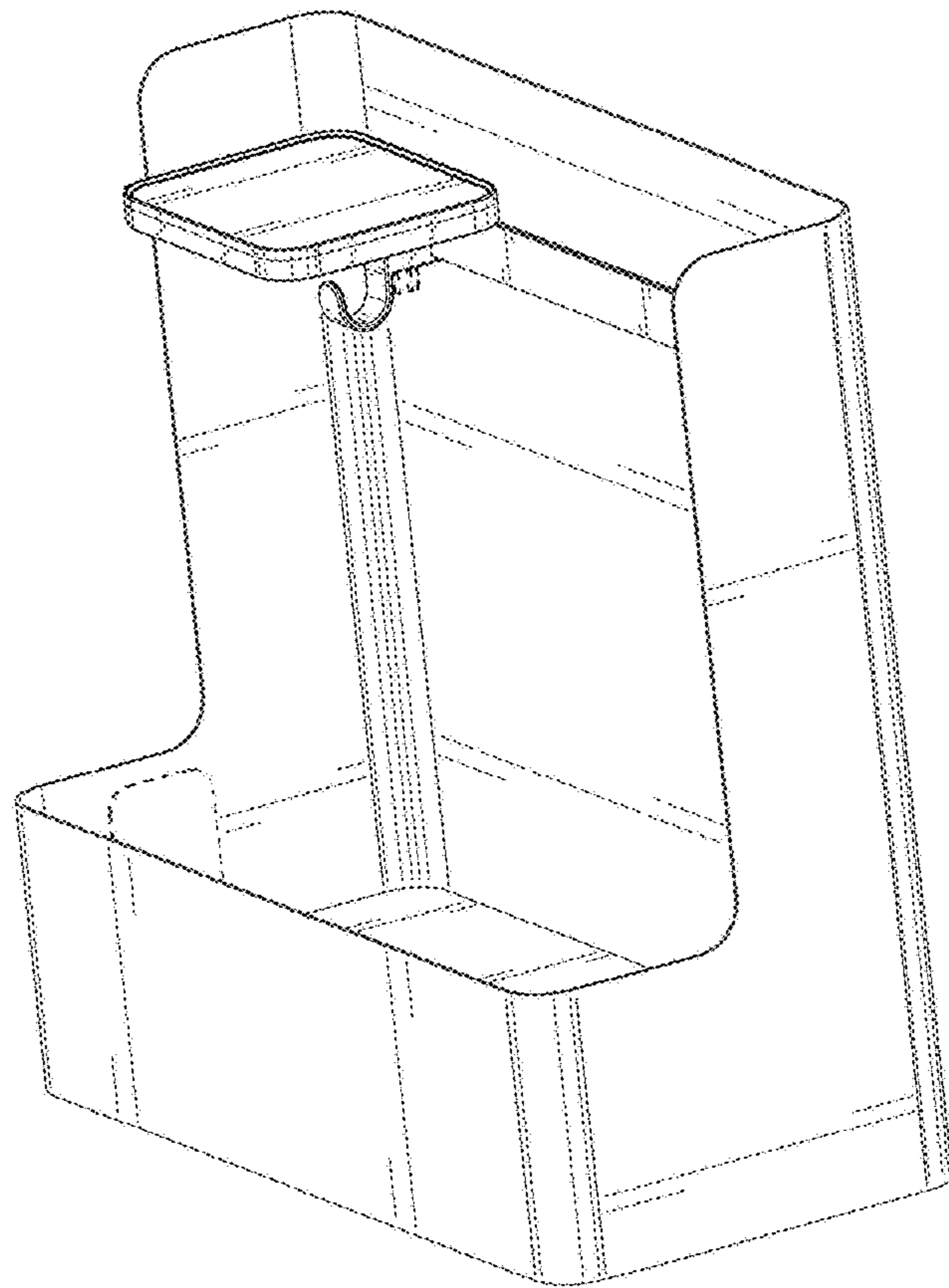


FIG. 1

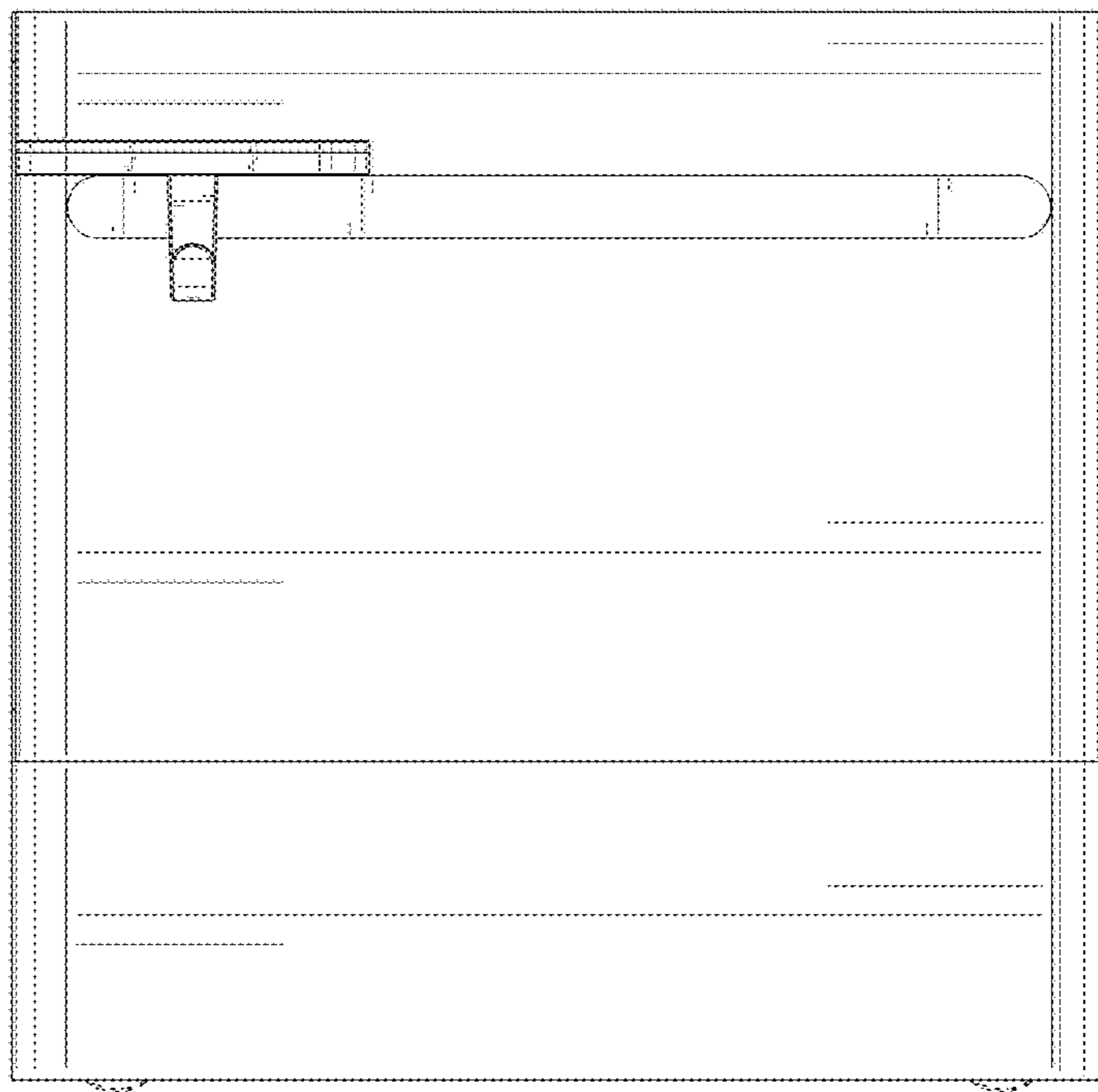


FIG. 2

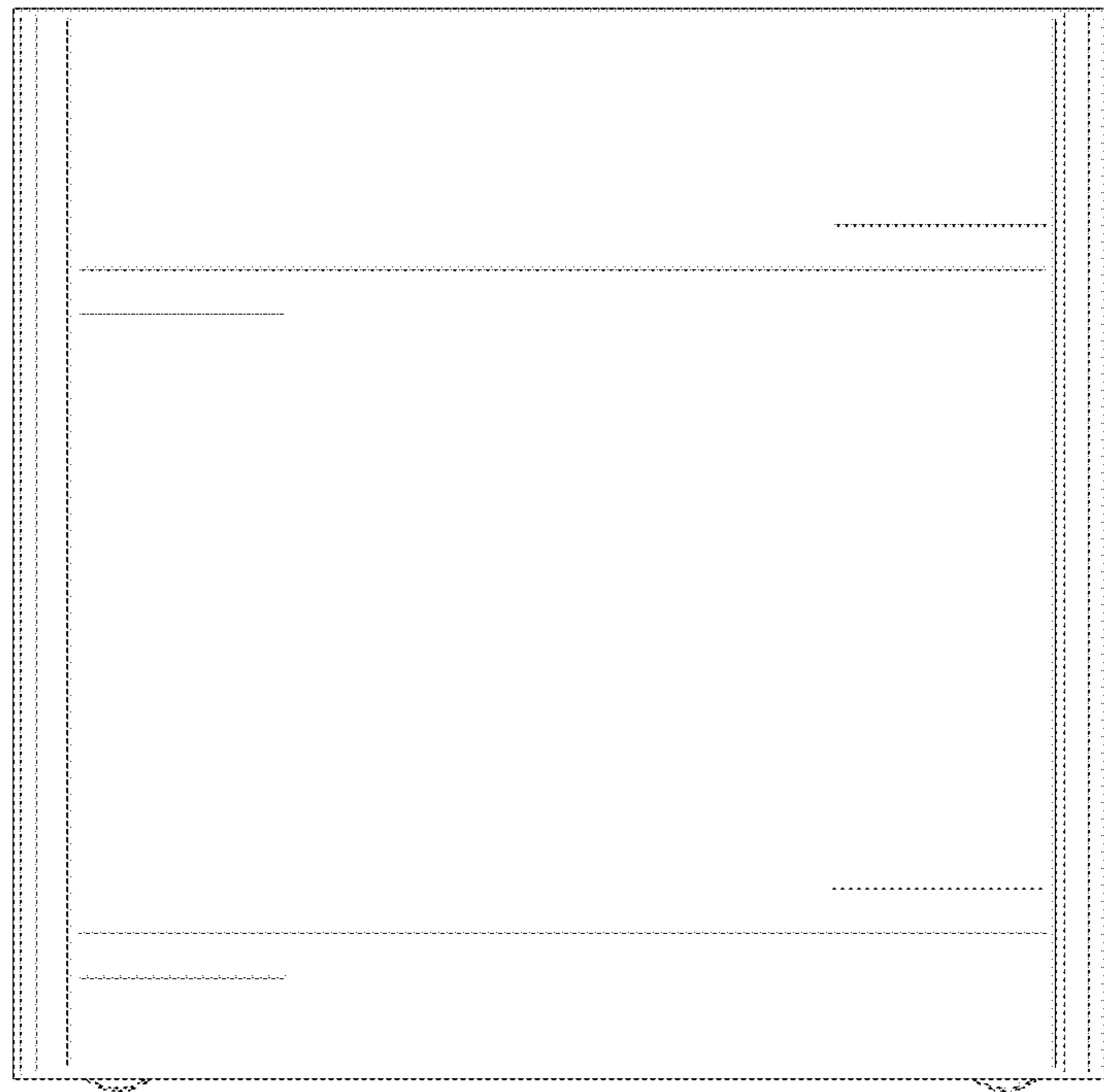


FIG. 3

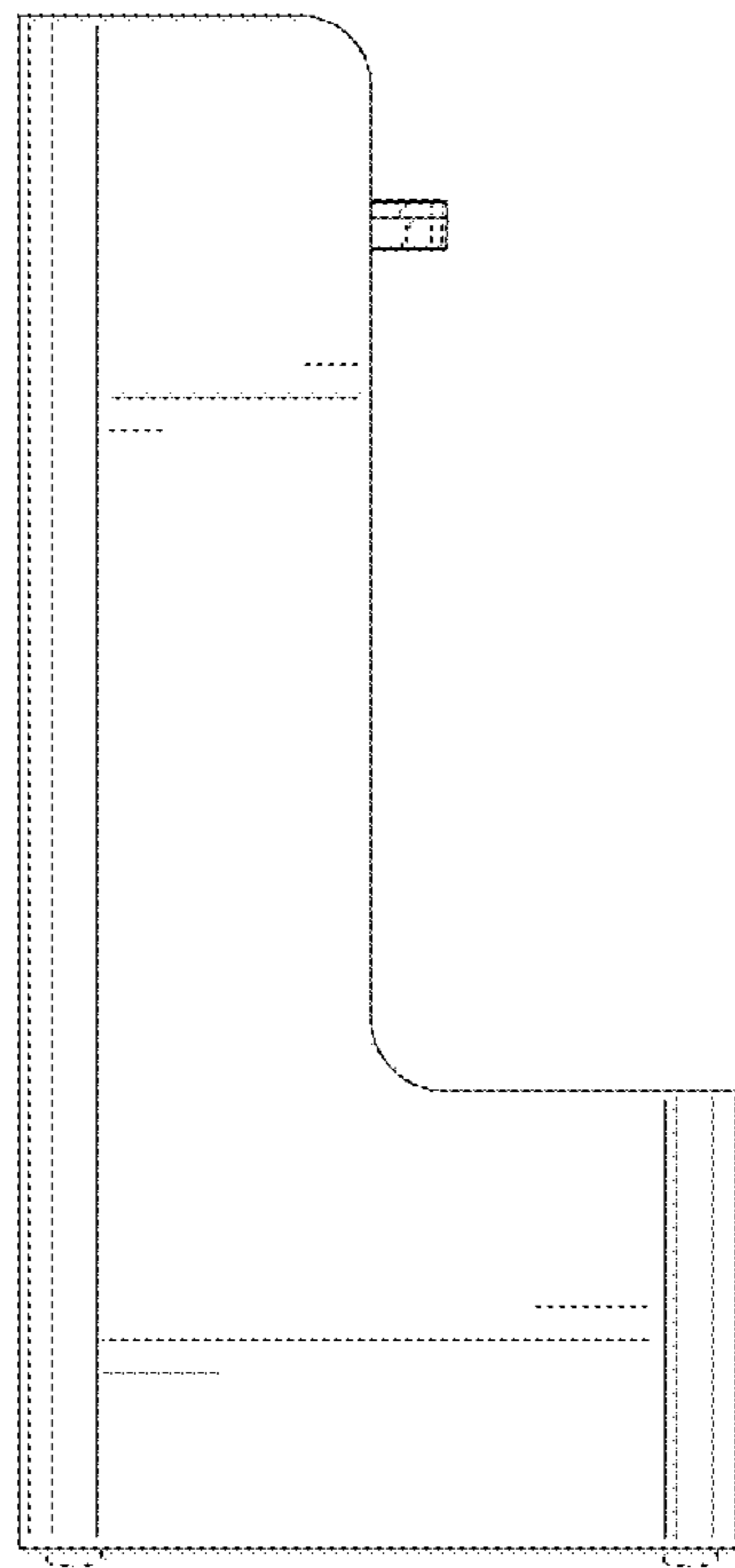


FIG. 4

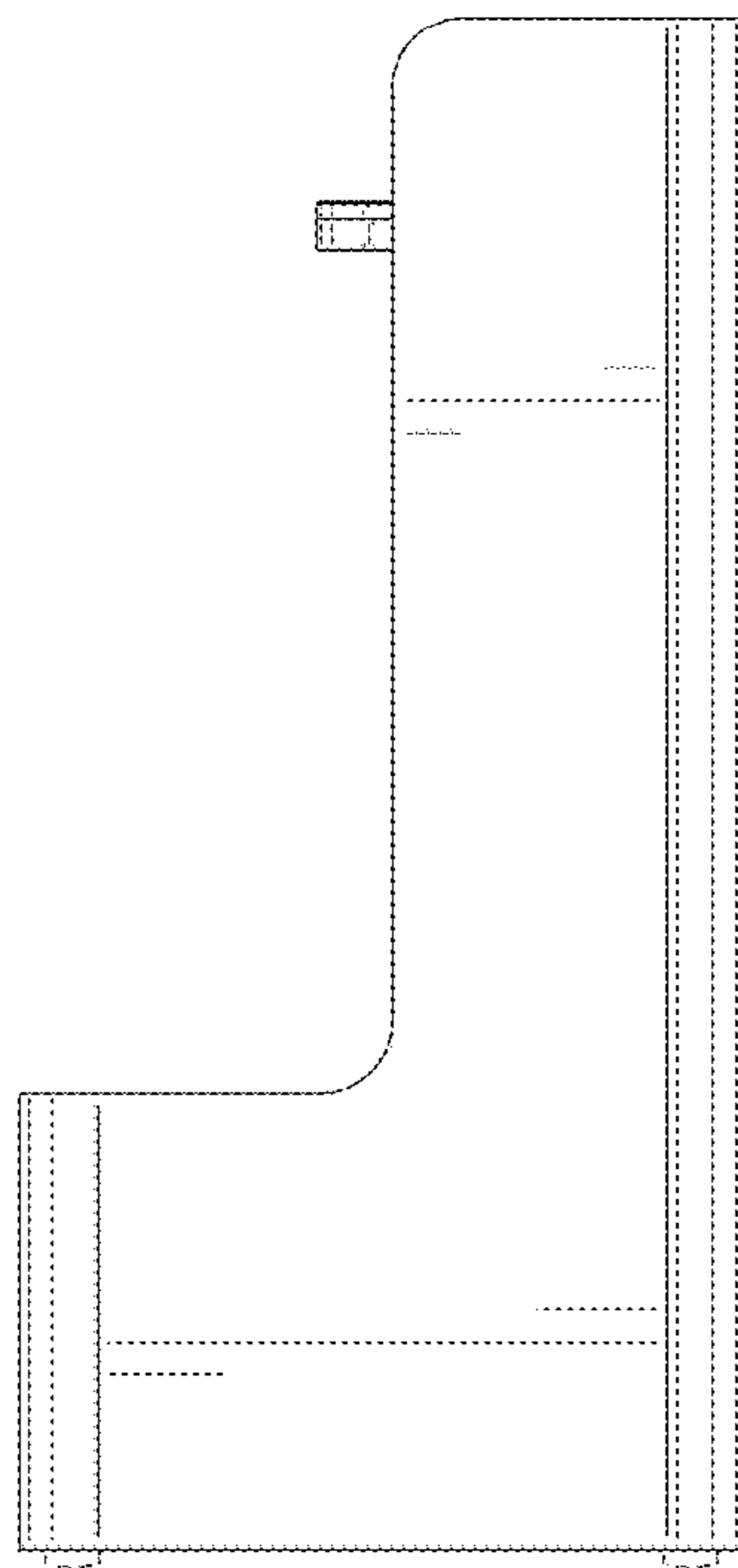


FIG. 5

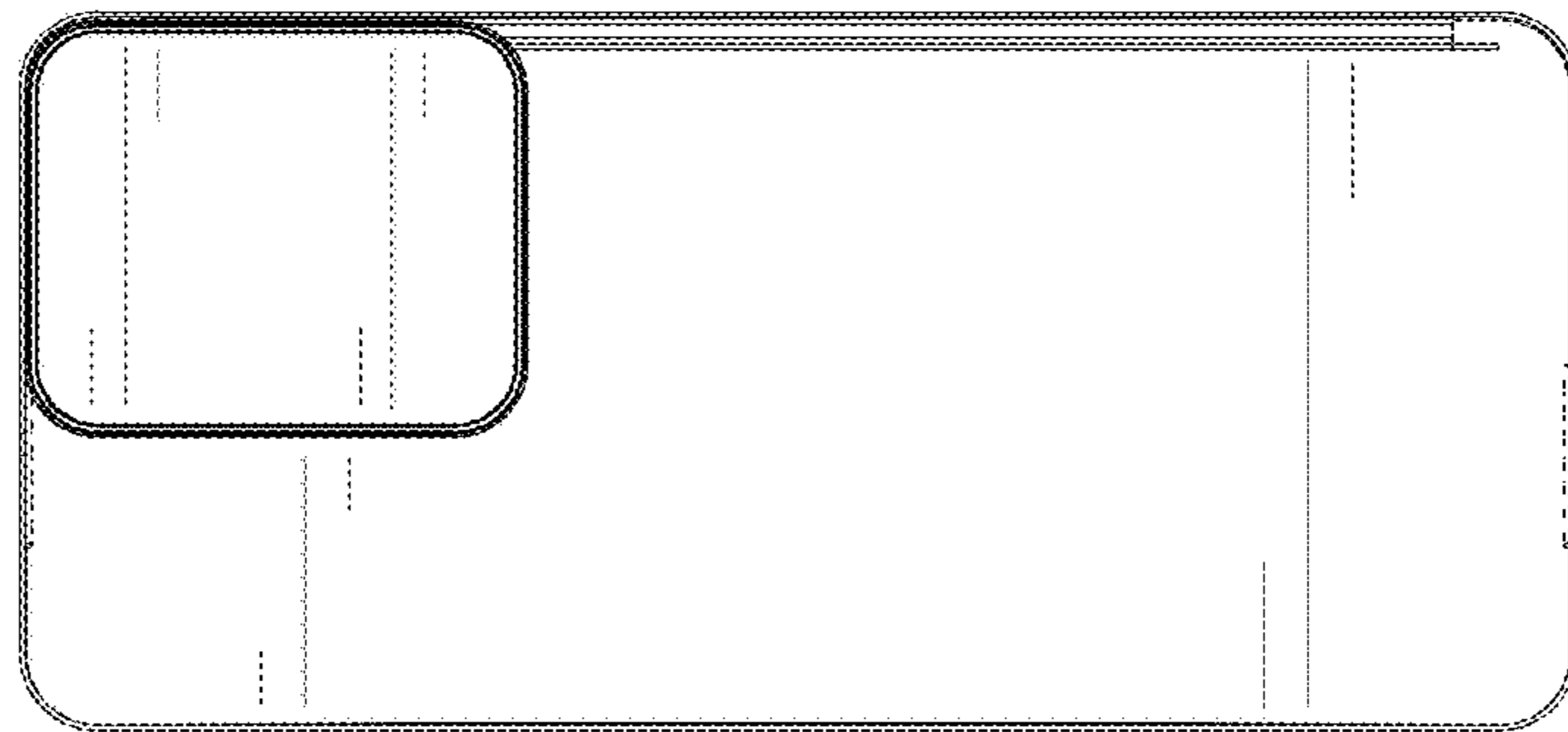


FIG. 6



FIG. 7