



US00D845574S

(12) **United States Design Patent**
Martino

(10) **Patent No.:** **US D845,574 S**

(45) **Date of Patent:** **** Apr. 9, 2019**

- (54) **DUST PAN**
- (71) Applicant: **Katrina Martino**, Laguna Beach, CA (US)
- (72) Inventor: **Katrina Martino**, Laguna Beach, CA (US)
- (**) Term: **15 Years**
- (21) Appl. No.: **29/659,142**
- (22) Filed: **Aug. 7, 2018**
- (51) **LOC (11) Cl.** **07-05**
- (52) **U.S. Cl.**
USPC **D32/74**
- (58) **Field of Classification Search**
USPC D32/74, 41; D30/162; D7/691, 688;
D4/116; 15/257.5, 257.3, 257.2, 257.1;
134/6
CPC A47L 13/52; A47L 13/51; A46B 15/00;
A46B 15/0097; A46B 15/0095; A46B
17/04; A46B 5/00; A46B 2200/302
See application file for complete search history.

6,902,060	B2	6/2005	Michelson	
D509,035	S *	8/2005	Libman	D32/74
6,971,138	B2 *	12/2005	Berti	A47L 13/52 15/159.1
D545,022	S *	6/2007	Morad	D32/74
D551,820	S *	9/2007	Morad	D32/74
D555,316	S *	11/2007	Hay	D32/74
D595,509	S *	7/2009	Sekercioğlu	D32/74
D677,849	S *	3/2013	Petersen	D32/74
D695,471	S *	12/2013	Buhagiar	D30/162
D795,520	S *	8/2017	La Selva	D32/74
D814,732	S	4/2018	Libman	
D824,630	S *	7/2018	Libman	D32/74
D834,276	S *	11/2018	Gregory	D32/74
2005/0071943	A1	4/2005	Liu	
2007/0151065	A1	7/2007	Monahan	
2011/0049917	A1	3/2011	Northrop	

* cited by examiner

Primary Examiner — Austin Murphy
(74) *Attorney, Agent, or Firm* — Mitchell Law PLLC;
Matthew W. Mitchell

(57) **CLAIM**

The ornamental design for a dust pan, as shown and described.

DESCRIPTION

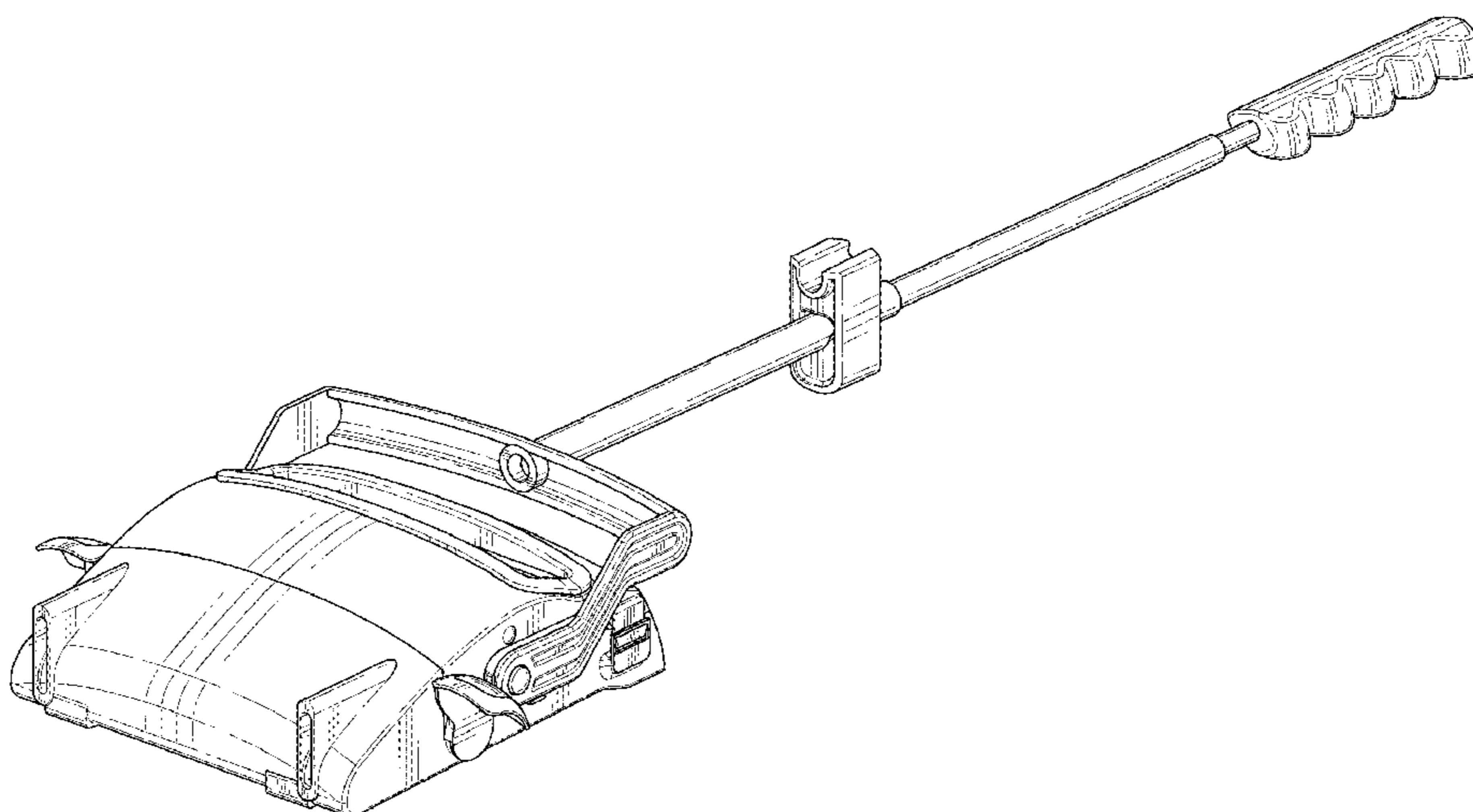
FIG. 1 is a front isometric view of the dust pan of the present invention;
FIG. 2 is a side isometric view thereof;
FIG. 3 is a rear isometric view thereof;
FIG. 4 is a front view thereof;
FIG. 5 is a rear view thereof;
FIG. 6 is a right side view thereof;
FIG. 7 is a left side view thereof;
FIG. 8 is a top plan view thereof; and,
FIG. 9 is a bottom plan view thereof.

1 Claim, 9 Drawing Sheets

(56) **References Cited**

U.S. PATENT DOCUMENTS

445,278	A	1/1891	Chubb	
1,315,310	A	9/1919	Kelley	
2,987,749	A *	6/1961	Gortner	A47L 13/52 15/144.1
D286,697	S *	11/1986	Martinen	D32/50
D342,358	S *	12/1993	Castro	D32/74
6,112,359	A	9/2000	Kaletka	
D449,911	S *	10/2001	Goodman	D32/74
D463,642	S *	9/2002	Morad	D32/74
6,643,891	B1	11/2003	Jerstroem	
6,732,402	B1 *	5/2004	Hsu	A47L 13/52 15/257.6



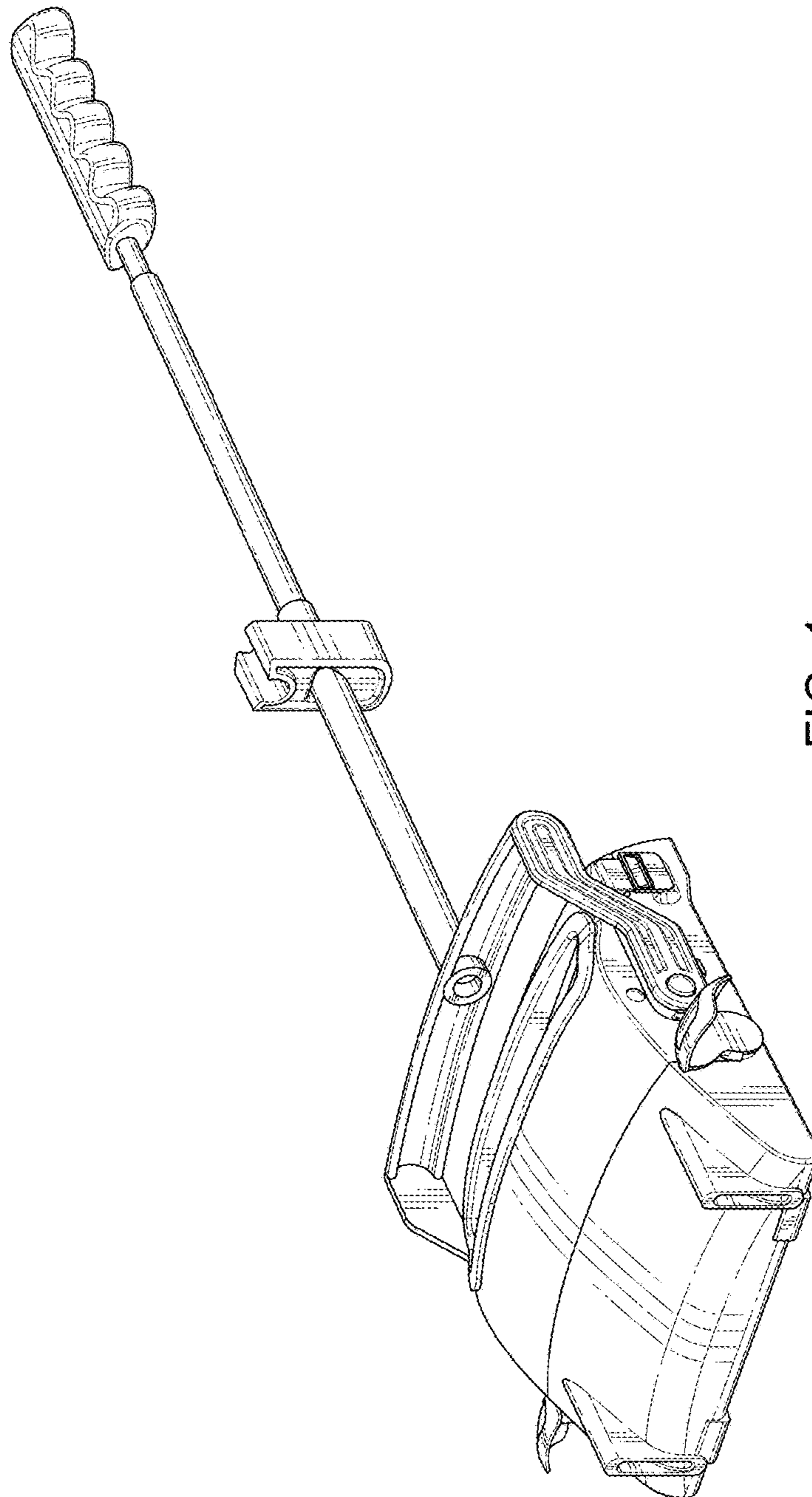


FIG. 1

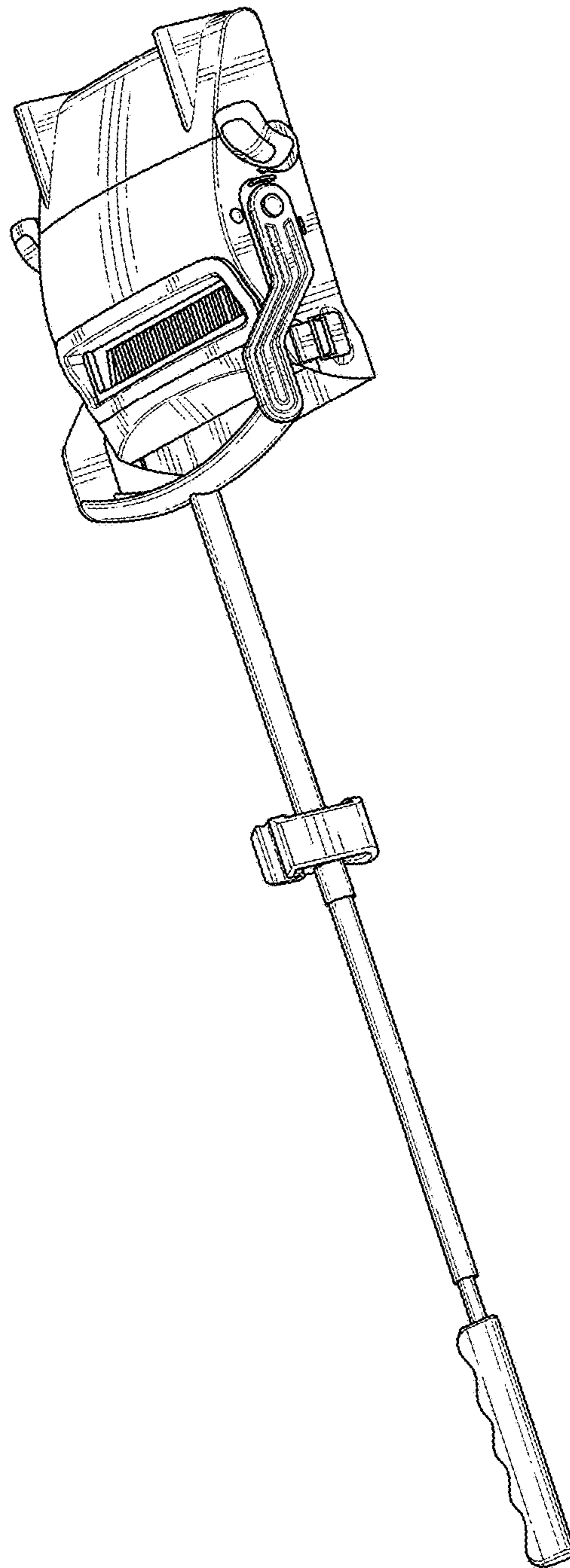


FIG. 2

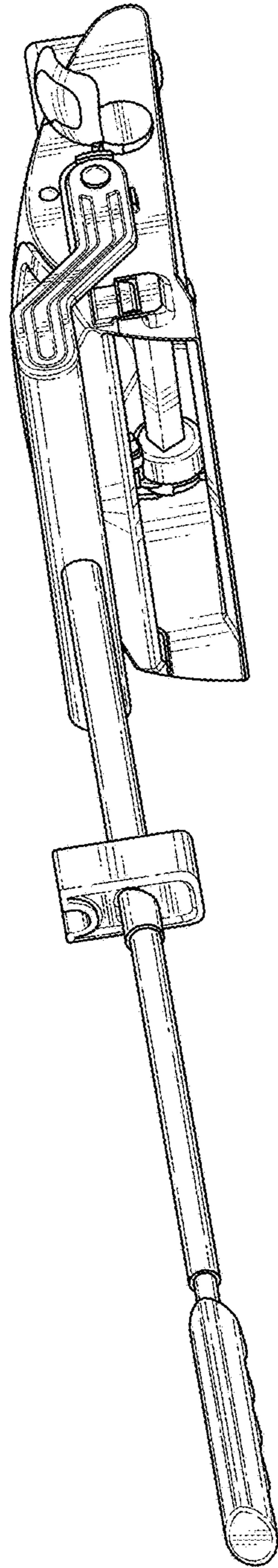


FIG. 3

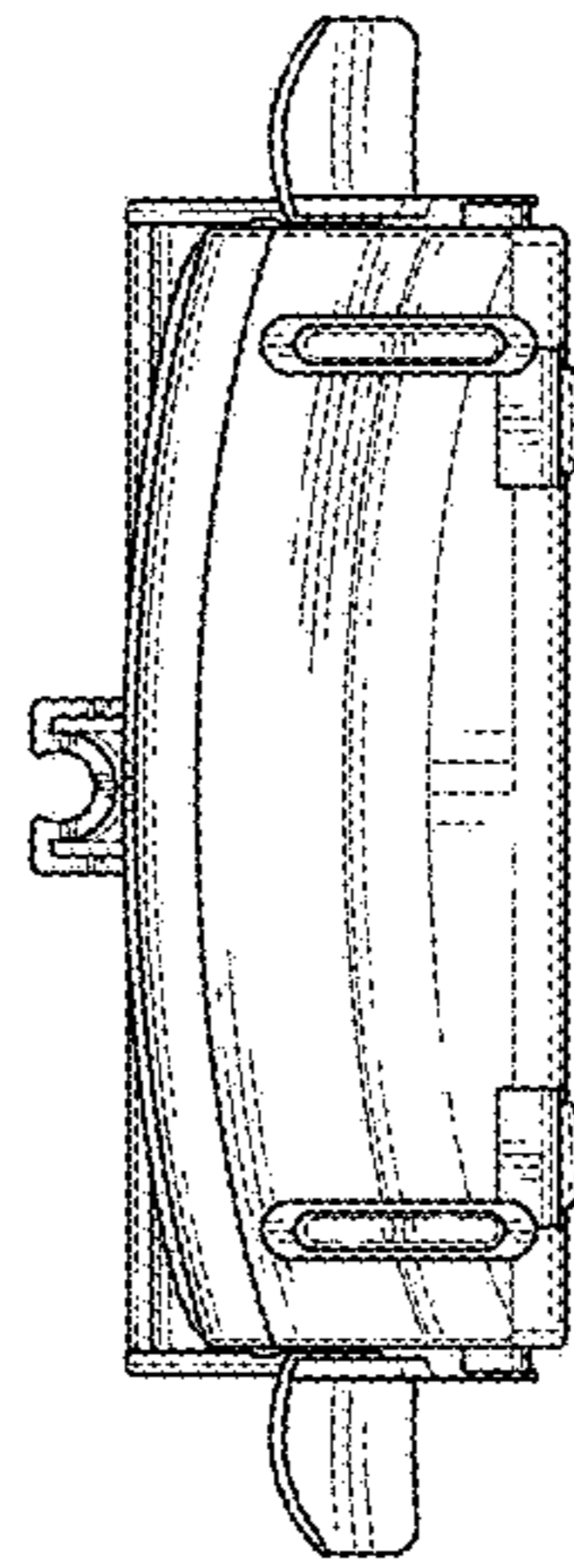


FIG. 4

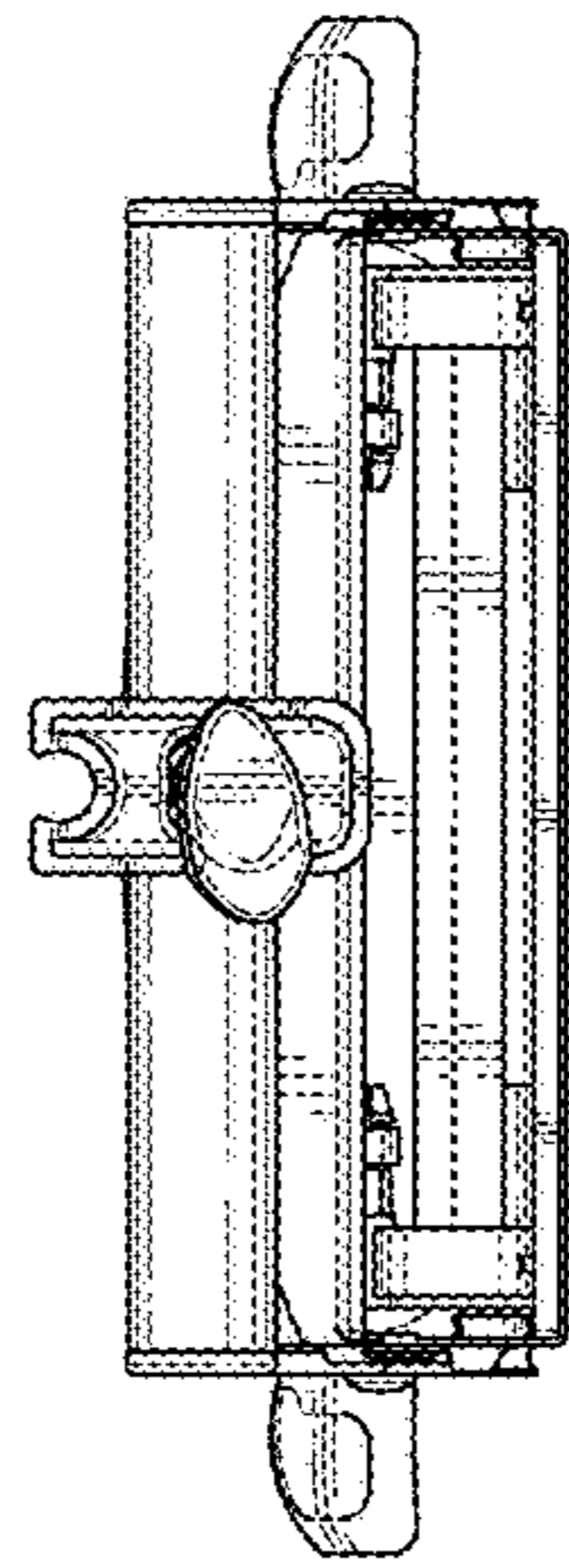


FIG. 5

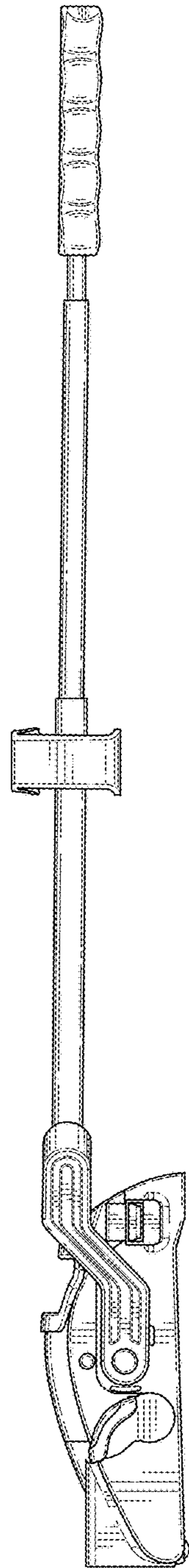


FIG. 6

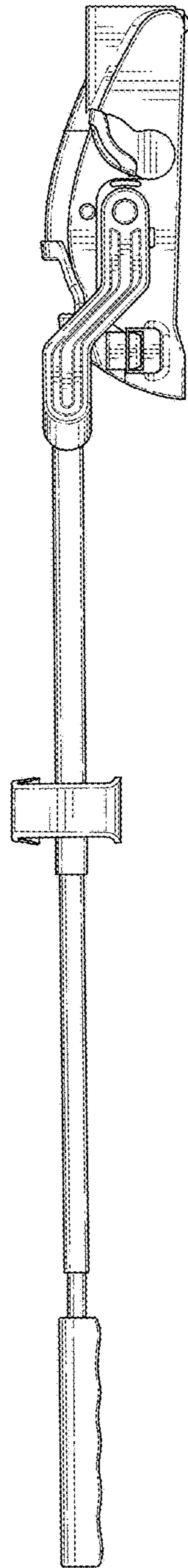


FIG. 7

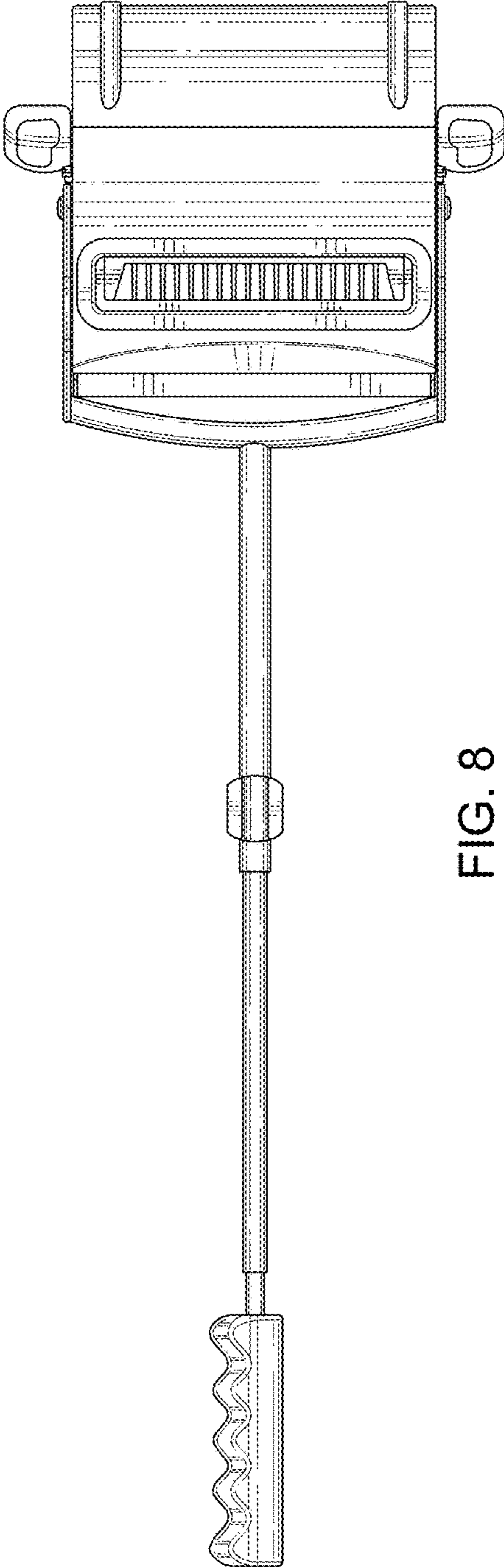


FIG. 8

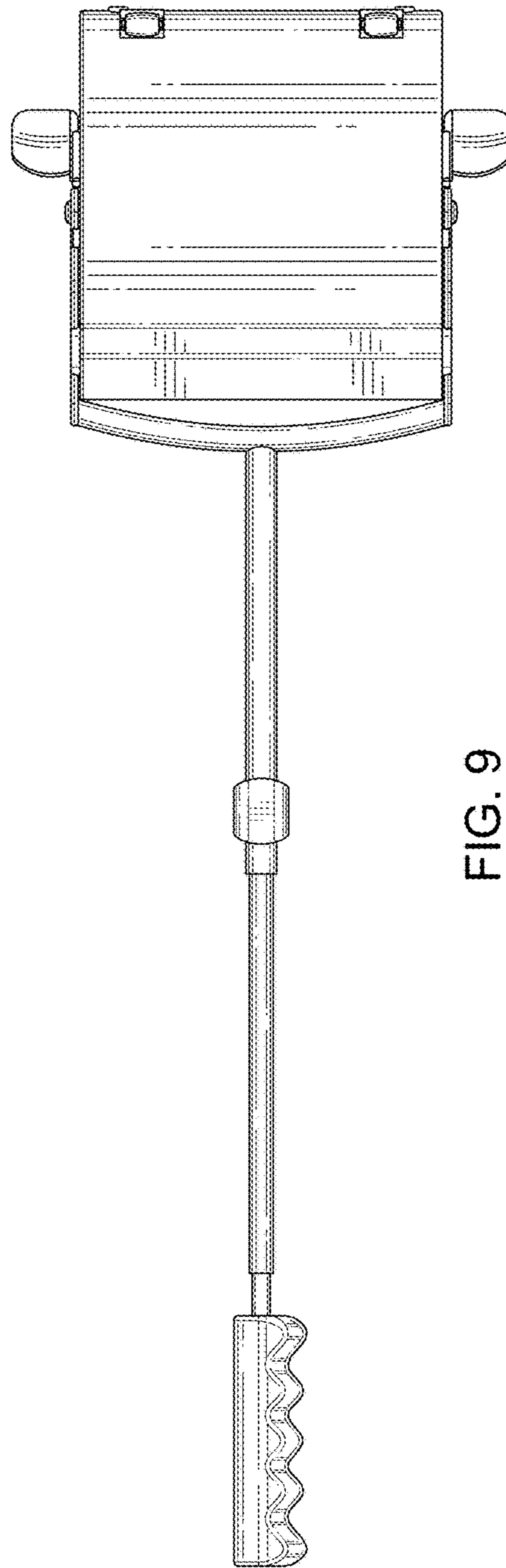


FIG. 9