



US00D845569S

(12) **United States Design Patent** (10) **Patent No.:** **US D845,569 S**  
**Carrière et al.** (45) **Date of Patent:** **\*\* Apr. 9, 2019**

(54) **SPA VACUUM**  
(71) Applicant: **CPA POOL PRODUCTS, INC.**,  
Blainville (CA)  
(72) Inventors: **William Carrière**, Pointe-Claire (CA);  
**Amiel Lapalme**, Montreal (CA)  
(73) Assignee: **CPA POOL PRODUCTS, INC.**,  
Blainville (CA)  
(\*\*) Term: **15 Years**  
(21) Appl. No.: **29/653,649**  
(22) Filed: **Jun. 18, 2018**  
(51) **LOC (11) Cl.** ..... **15-05**  
(52) **U.S. Cl.**  
USPC ..... **D32/32**  
(58) **Field of Classification Search**  
USPC ..... 15/1.7; 210/416.2, 167.16, 167.15;  
D32/18, 21, 32-33  
CPC ... E04H 4/1609; E04H 4/1654; E04H 4/1663;  
E04H 4/1672; E04H 4/169; E04H 4/1636  
See application file for complete search history.

D629,982 S \* 12/2010 Rossano ..... D32/33  
D681,897 S \* 5/2013 Bruneel ..... D32/33  
D712,607 S \* 9/2014 Crawley ..... D32/32  
D713,110 S \* 9/2014 Erlich ..... D32/33  
D754,938 S \* 4/2016 Bruneel ..... D32/33

\* cited by examiner

*Primary Examiner* — Ruth McInroy  
(74) *Attorney, Agent, or Firm* — Hodgson Russ LLP

(57) **CLAIM**

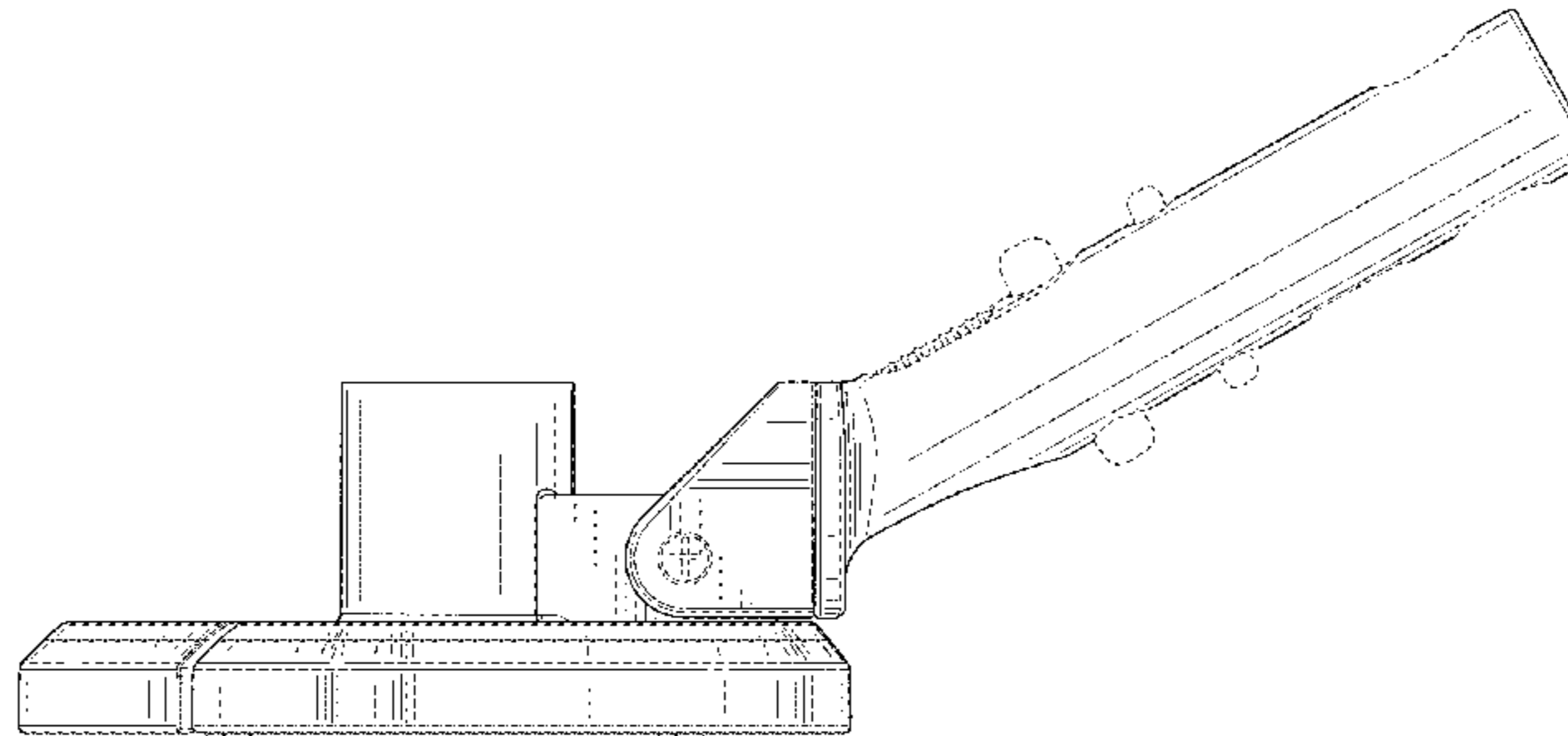
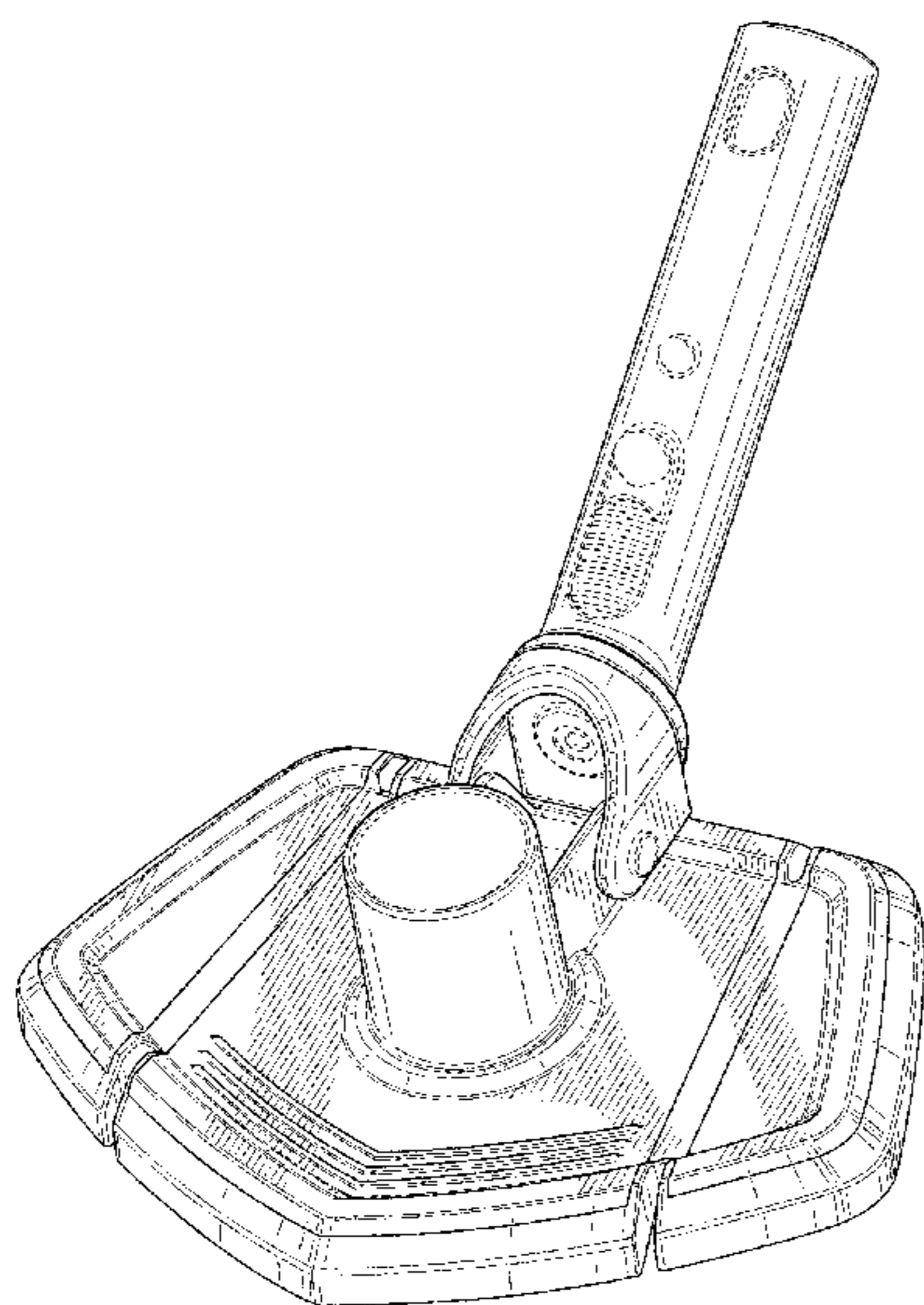
The ornamental design for a spa vacuum, as shown and described.

**DESCRIPTION**

FIG. 1 is a perspective view of a first embodiment of a spa vacuum showing our new design;  
FIG. 2 is a front elevation view thereof;  
FIG. 3 is a rear elevation view thereof;  
FIG. 4 is a left side elevation view thereof;  
FIG. 5 is a right side elevation view thereof;  
FIG. 6 is a top plan view thereof;  
FIG. 7 is a bottom plan view thereof;  
FIG. 8 is a perspective view of a second embodiment of a spa vacuum showing our new design;  
FIG. 9 is a front elevation view thereof;  
FIG. 10 is a rear elevation view thereof;  
FIG. 11 is a left side elevation view thereof;  
FIG. 12 is a right side elevation view thereof;  
FIG. 13 is a top plan view thereof; and,  
FIG. 14 is a bottom plan view thereof.  
The broken lines depict unclaimed features of the spa vacuum that form no part of the claimed design.

**1 Claim, 12 Drawing Sheets**

(56) **References Cited**  
U.S. PATENT DOCUMENTS  
D208,851 S \* 10/1967 Lindberg, Jr. .... D32/33  
D271,816 S \* 12/1983 Price ..... D32/32  
D373,230 S \* 8/1996 Sebor ..... D32/21  
D488,600 S \* 4/2004 Pecci ..... D32/32  
D581,607 S \* 11/2008 van der Meijden ..... D32/15  
D611,664 S \* 3/2010 Sebor ..... D32/15



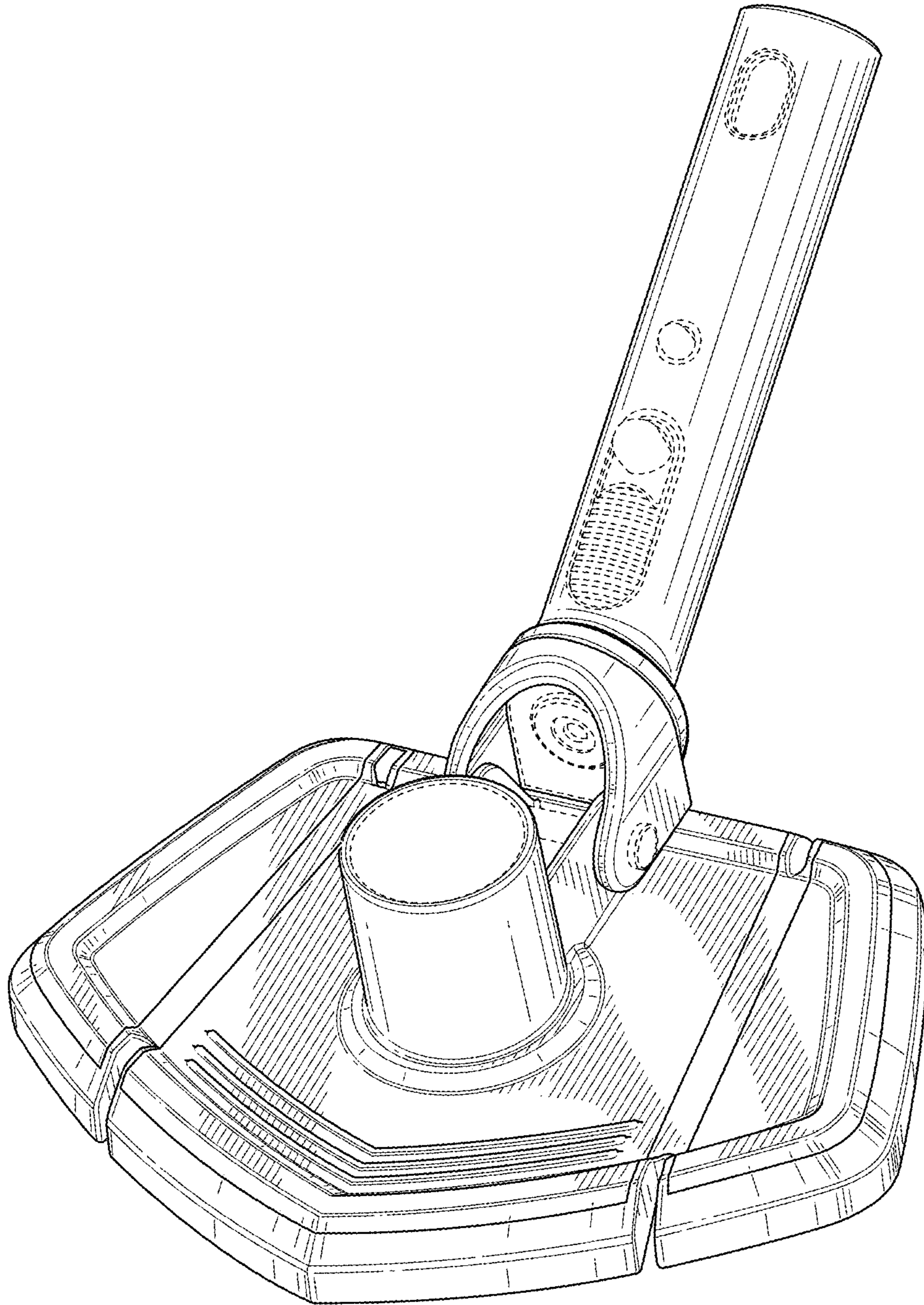
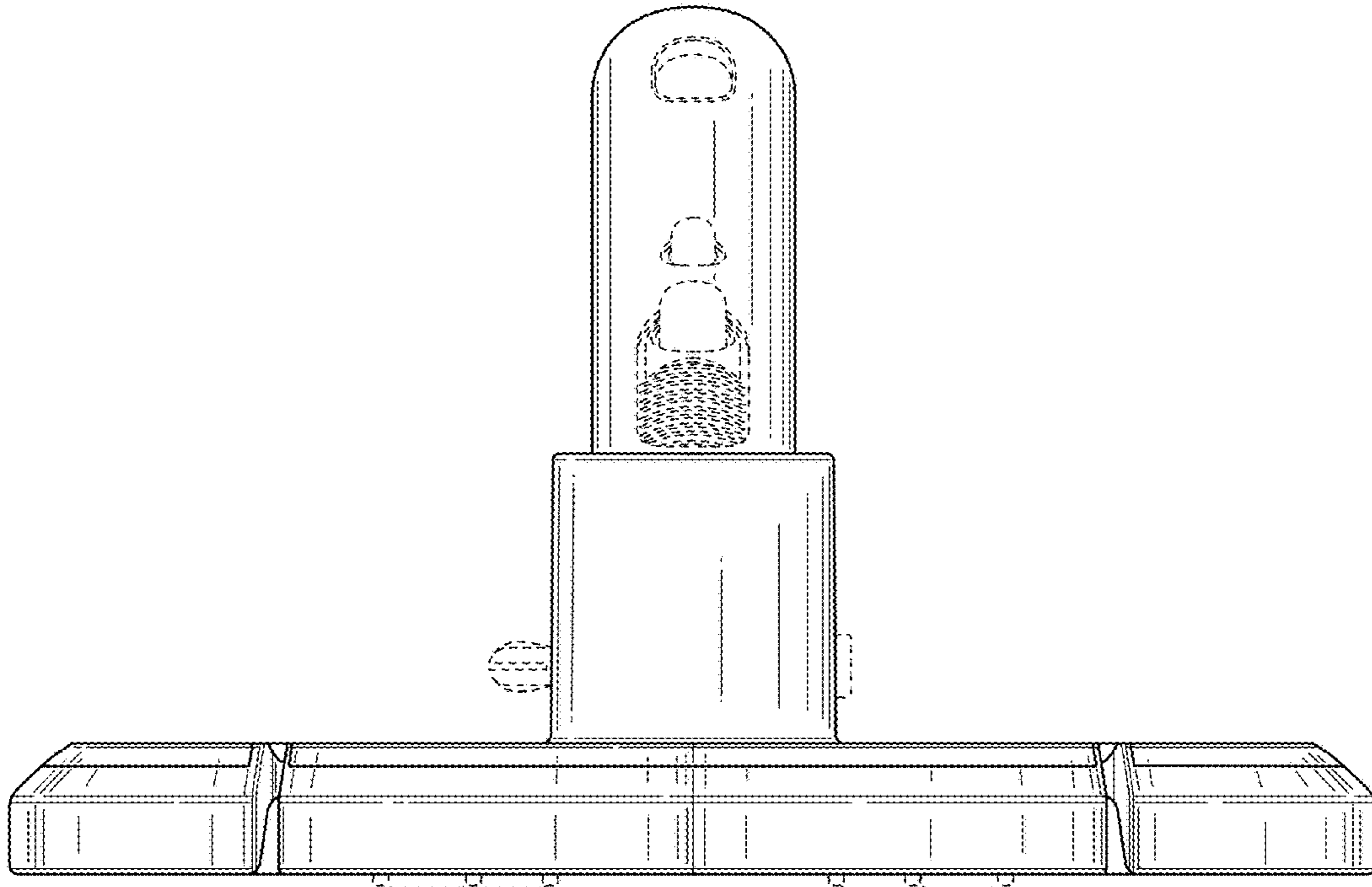
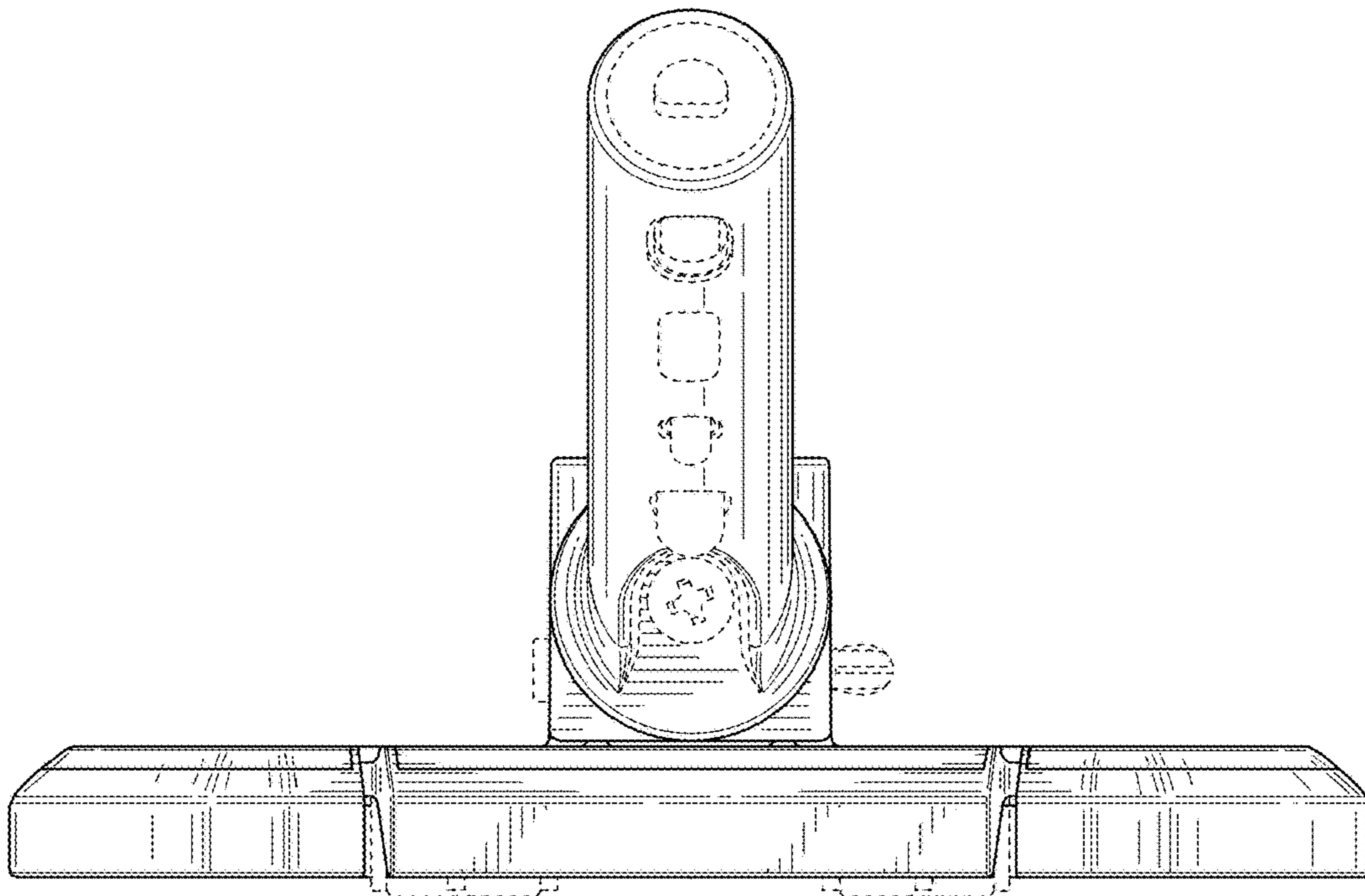


FIG. 1



**FIG. 2**



**FIG. 3**



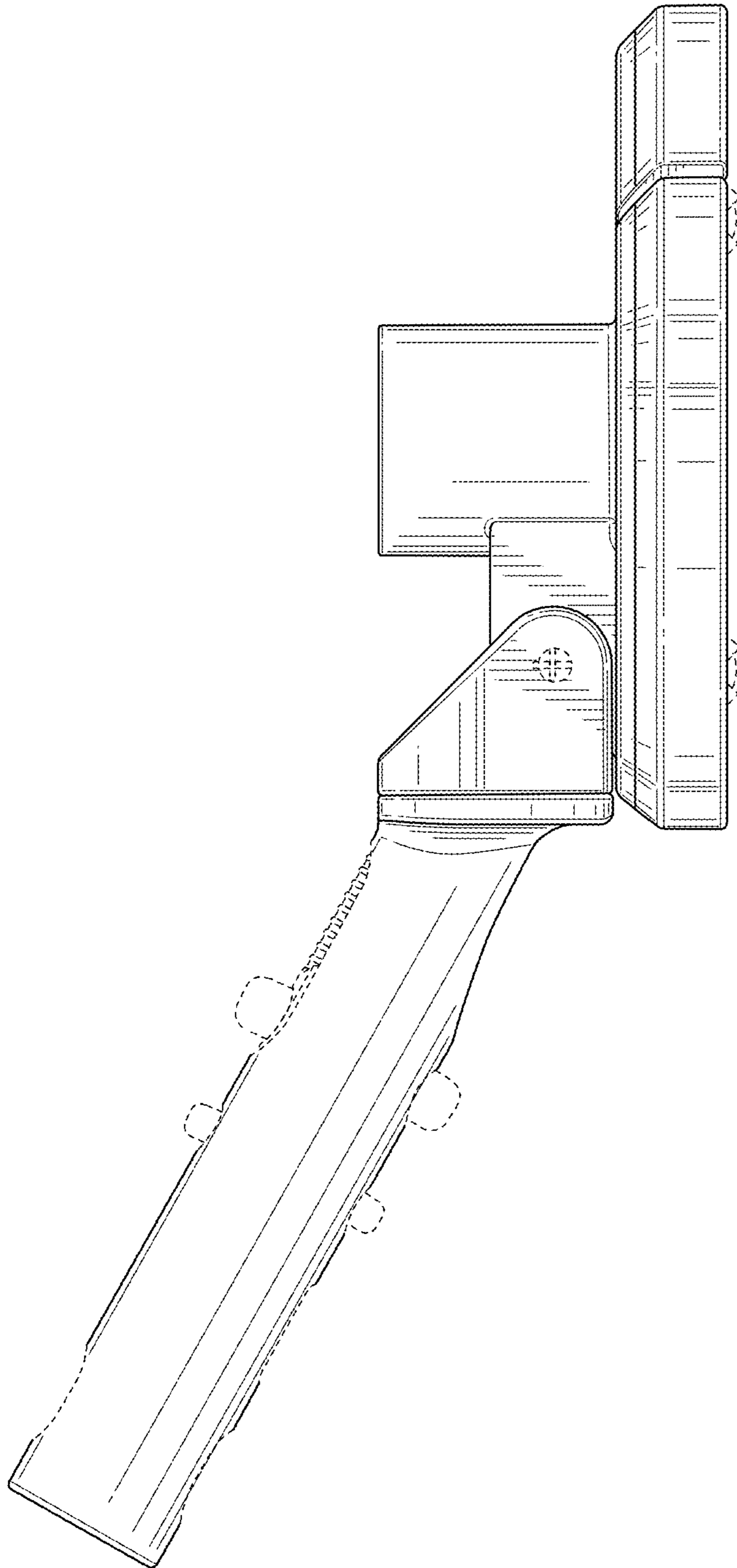


FIG. 4

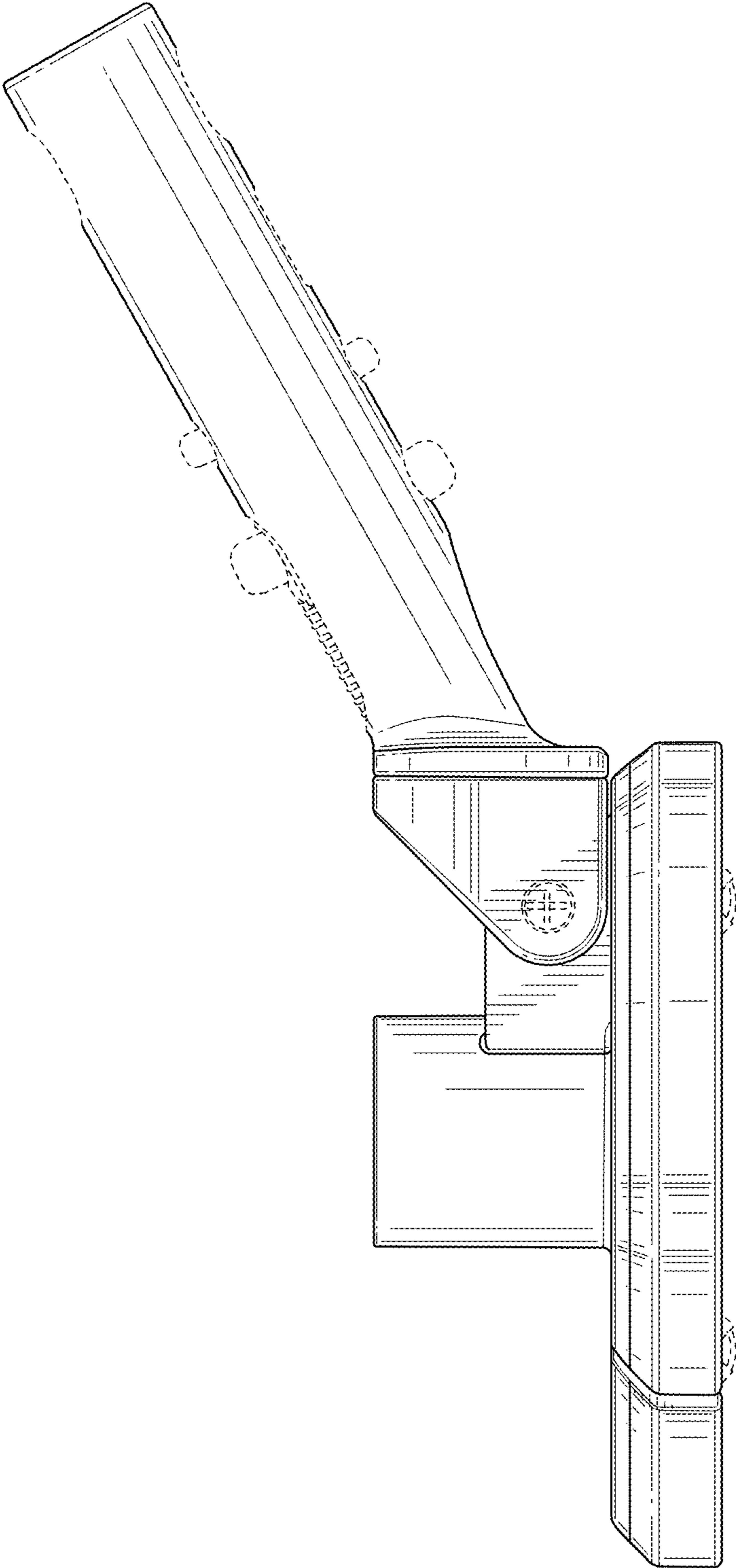


FIG. 5

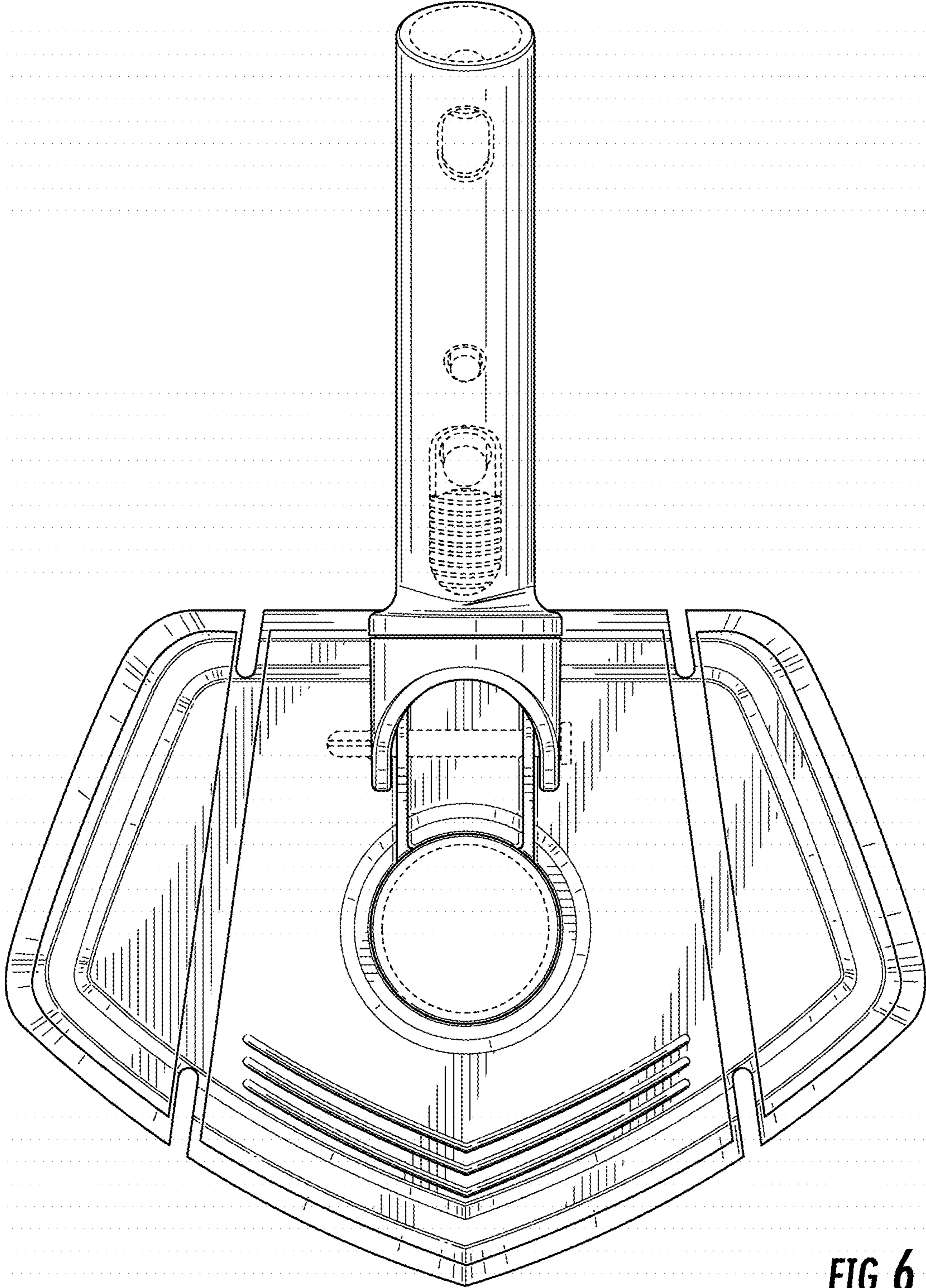


FIG. 6

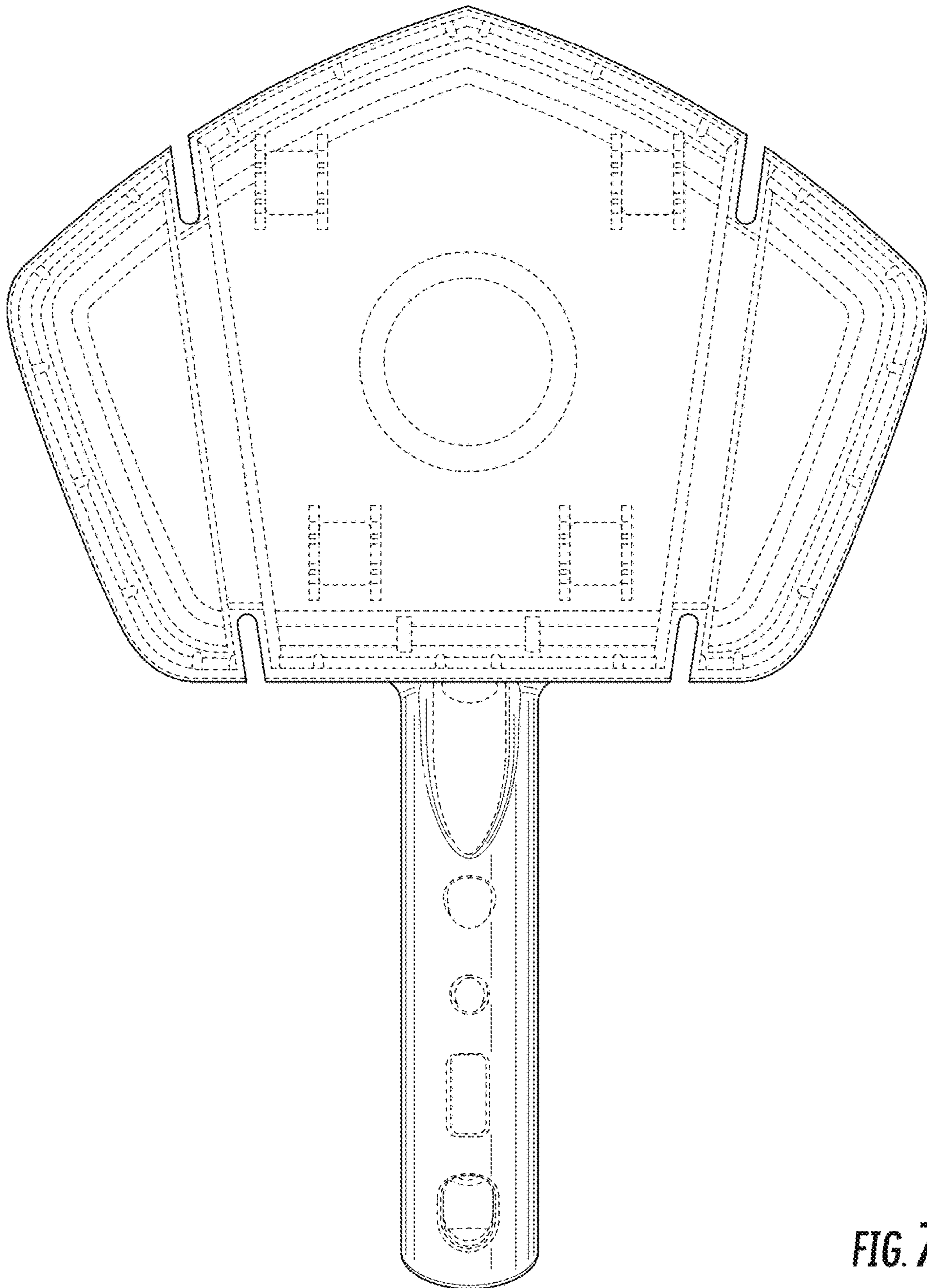


FIG. 7



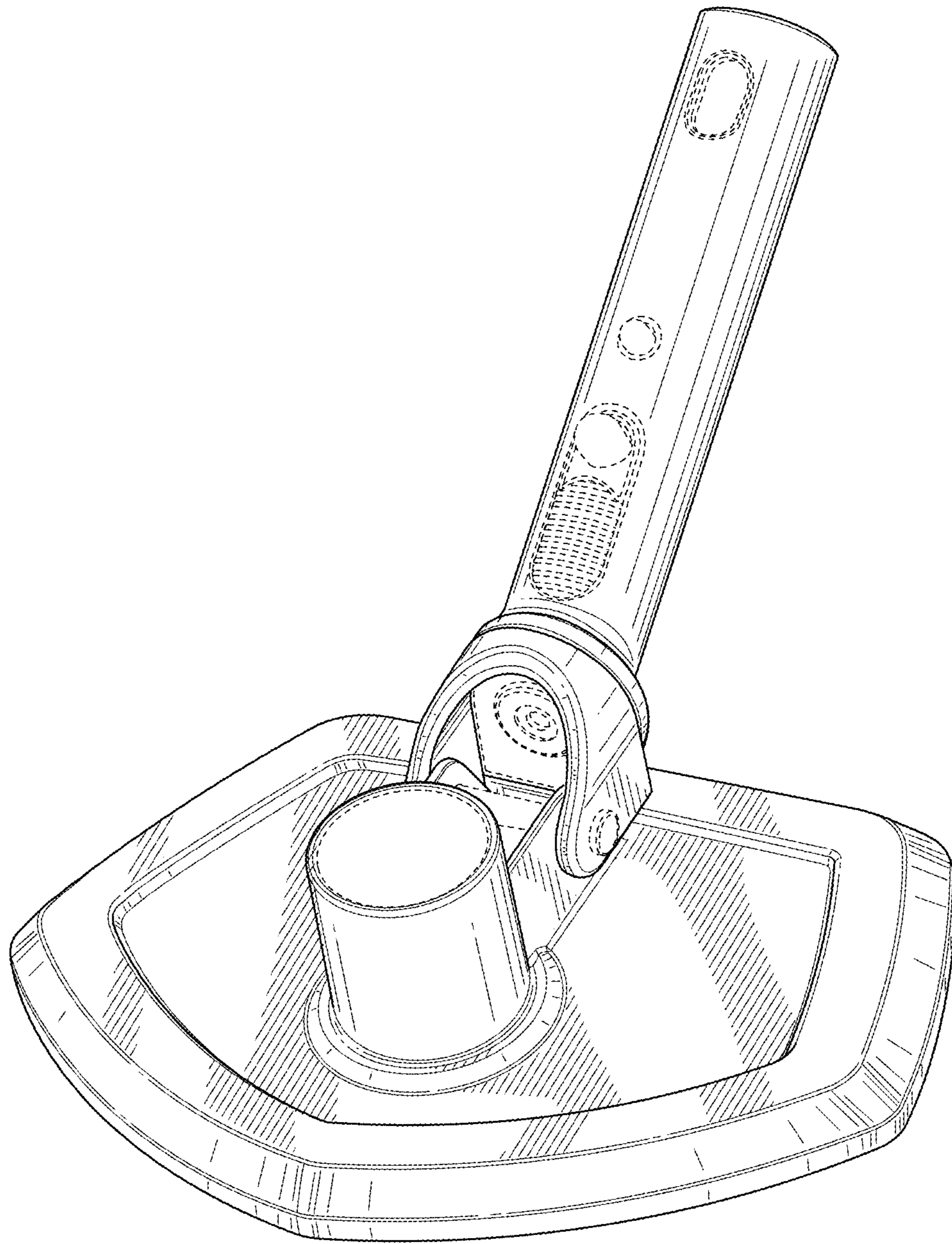
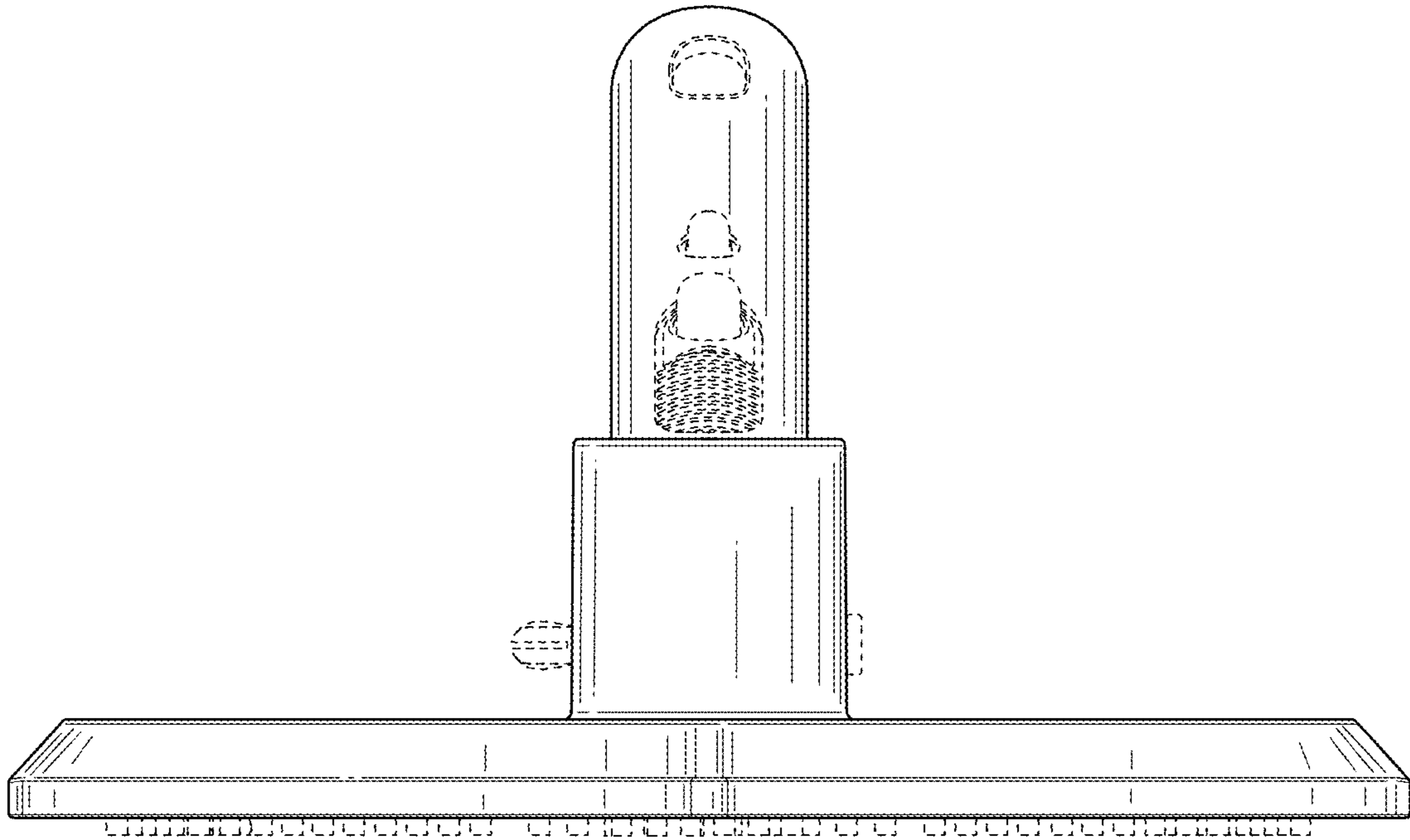
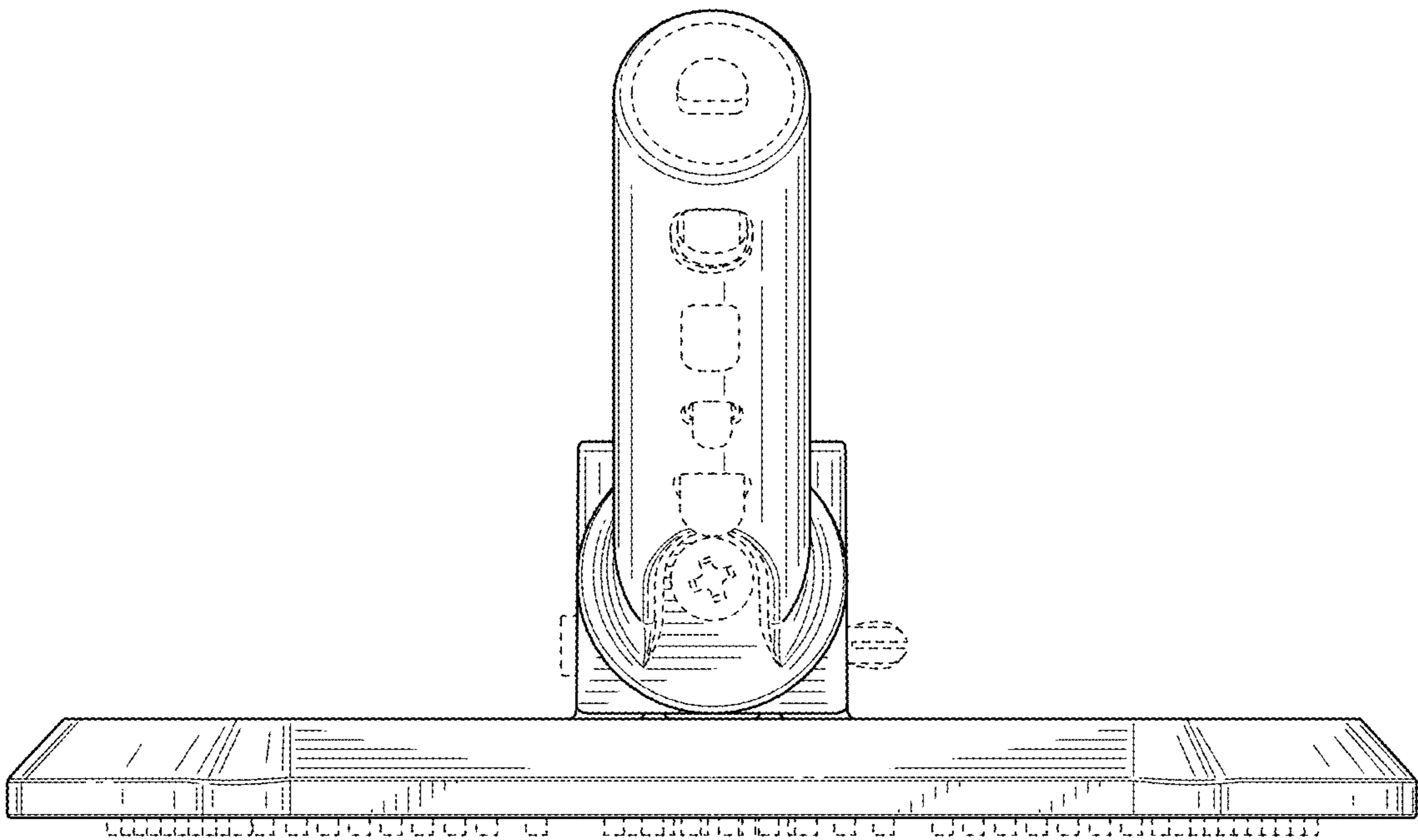


FIG. 8





**FIG. 9**



**FIG. 10**

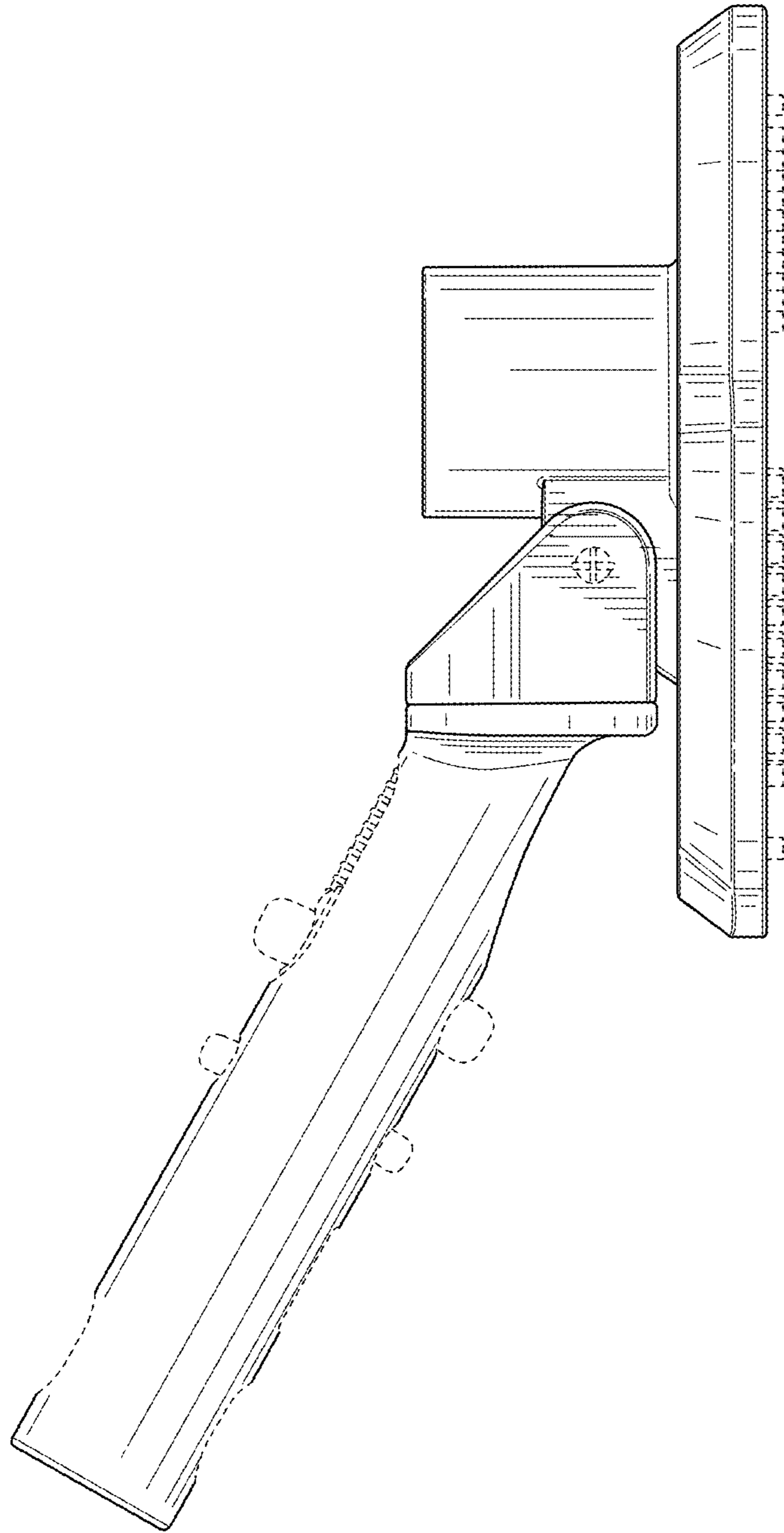


FIG. 11

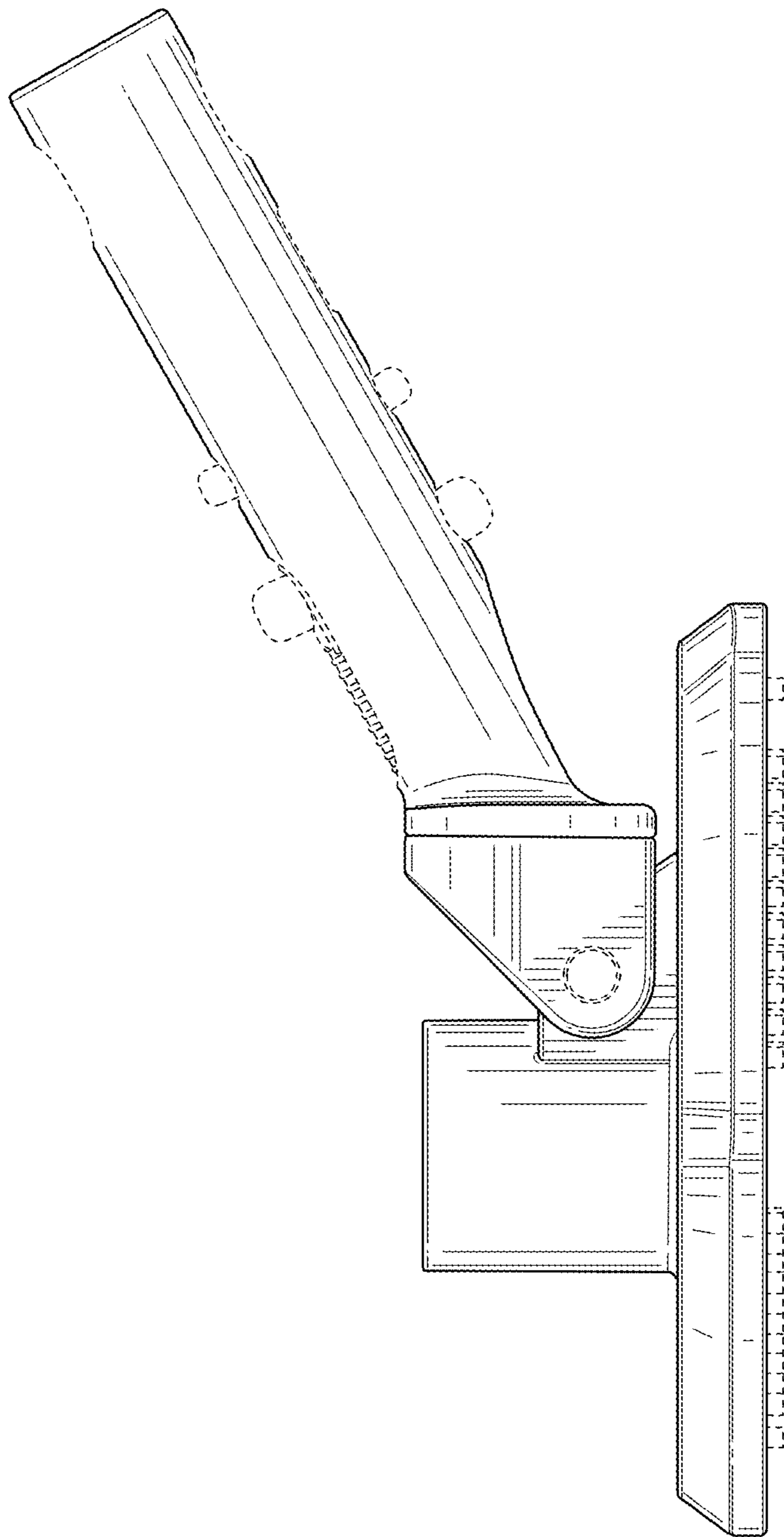


FIG. 12



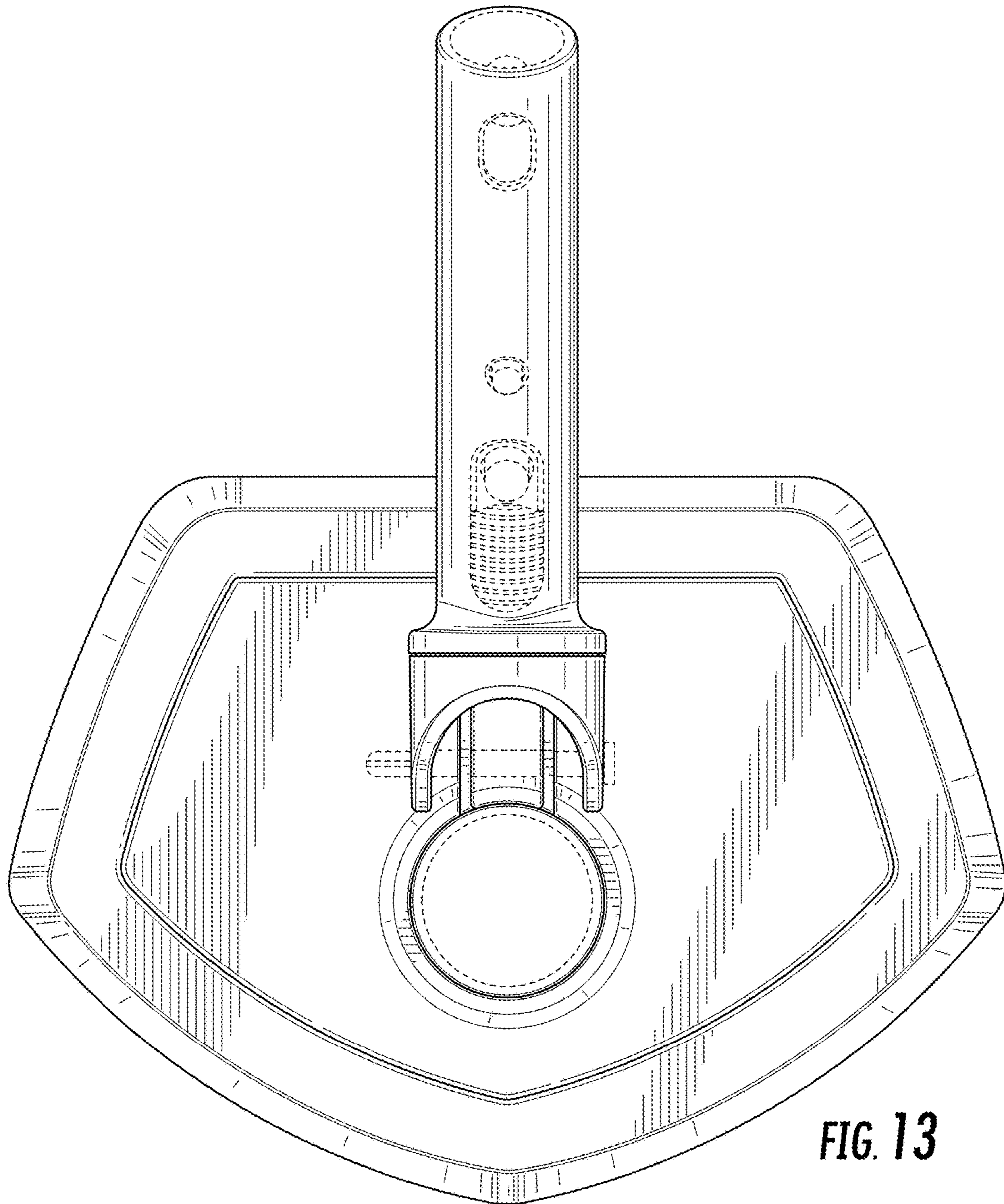


FIG. 13

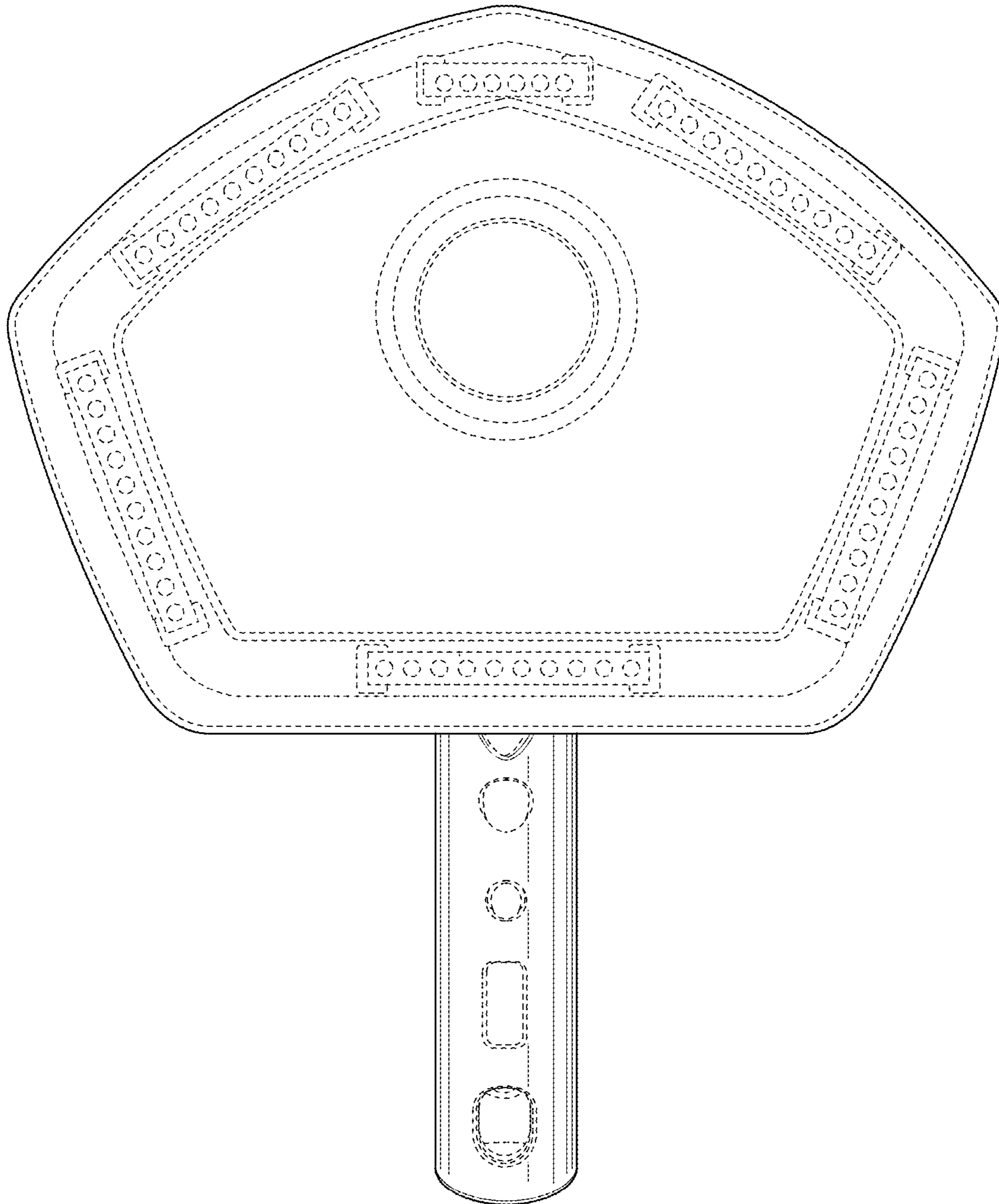


FIG. 14