



US00D845568S

(12) **United States Design Patent**  
**Ishii et al.**

(10) **Patent No.:** **US D845,568 S**

(45) **Date of Patent:** **\*\* Apr. 9, 2019**

(54) **PAD HOLDER FOR POLISHING APPARATUS**

(71) Applicant: **EBARA CORPORATION**, Tokyo (JP)

(72) Inventors: **Yu Ishii**, Tokyo (JP); **Kenya Ito**, Tokyo (JP); **Hirohiko Ueda**, Tokyo (JP)

(73) Assignee: **EBARA CORPORATION**, Tokyo (JP)

(\*\*) Term: **15 Years**

(21) Appl. No.: **29/545,532**

(22) Filed: **Nov. 13, 2015**

(30) **Foreign Application Priority Data**

May 14, 2015 (JP) ..... 2015-010517

(51) **LOC (11) Cl.** ..... **15-05**

(52) **U.S. Cl.**  
USPC ..... **D32/25**

(58) **Field of Classification Search**  
USPC ..... D32/8, 10, 24, 25, 28, 4; D7/368, 672,  
D7/675, 677; D9/434, 447, 728; D10/64  
CPC ..... B24B 37/34; B24B 37/26; B24B 37/20;  
B24B 37/22  
See application file for complete search history.

(56) **References Cited**

**U.S. PATENT DOCUMENTS**

4,809,385 A \* 3/1989 Bogue ..... A47L 11/164  
15/230.18  
D583,603 S \* 12/2008 Samuelsson ..... D6/580  
8,506,363 B2 \* 8/2013 Takahashi ..... B24B 37/30  
451/289

D766,849 S \* 9/2016 Fukushima ..... D13/182  
D789,478 S \* 6/2017 McPherson ..... D22/107  
9,708,724 B2 \* 7/2017 Tsujino ..... C25D 17/12  
D793,976 S \* 8/2017 Fukushima ..... D13/182  
D794,089 S \* 8/2017 Maibach ..... D12/501  
D794,585 S \* 8/2017 Nabeya ..... D13/182  
D799,037 S \* 10/2017 Kubiak ..... D24/140  
D799,437 S \* 10/2017 Nabeya ..... D13/182  
9,842,783 B2 \* 12/2017 Kimba ..... H01L 22/26  
9,919,403 B2 \* 3/2018 Hamaura ..... B24B 37/34  
2017/0245721 A1 \* 8/2017 Rudolph ..... A47L 11/145

\* cited by examiner

*Primary Examiner* — Ian Simmons

*Assistant Examiner* — Yolanda Robinson

(74) *Attorney, Agent, or Firm* — Pearne & Gordon LLP

(57) **CLAIM**

The ornamental design for a pad holder for polishing apparatus, as shown and described.

**DESCRIPTION**

FIG. 1 is a first perspective view, observed from top of a pad holder for polishing apparatus showing our new design; FIG. 2 is a second perspective view, observed from bottom thereof; FIG. 3 is a top view thereof; FIG. 4 is a bottom view thereof; FIG. 5 is a front view thereof; FIG. 6 is a rear view thereof; FIG. 7 is a right side view thereof; and, FIG. 8 is a left side view thereof.

**1 Claim, 8 Drawing Sheets**

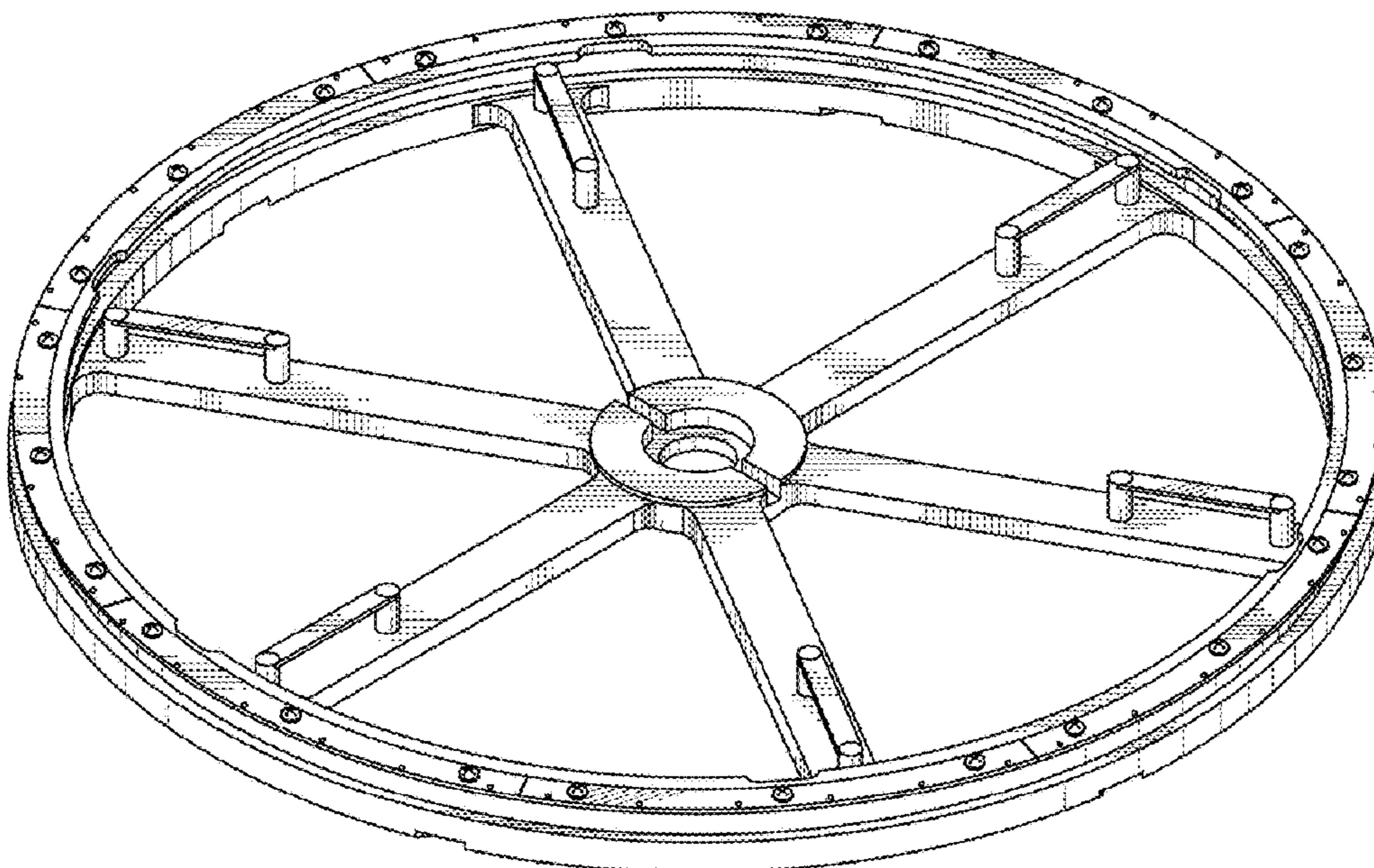


FIG. 1

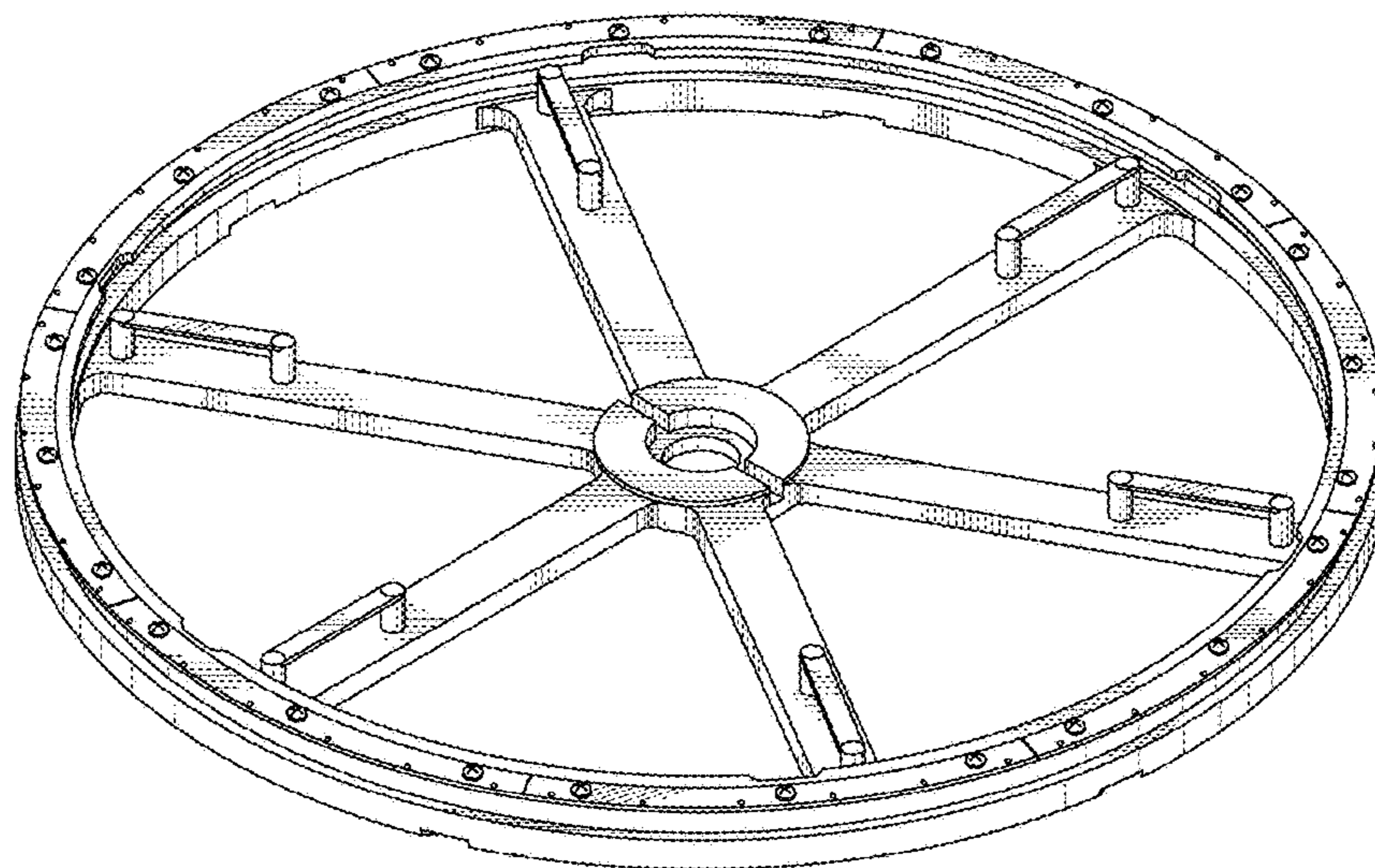


FIG.2

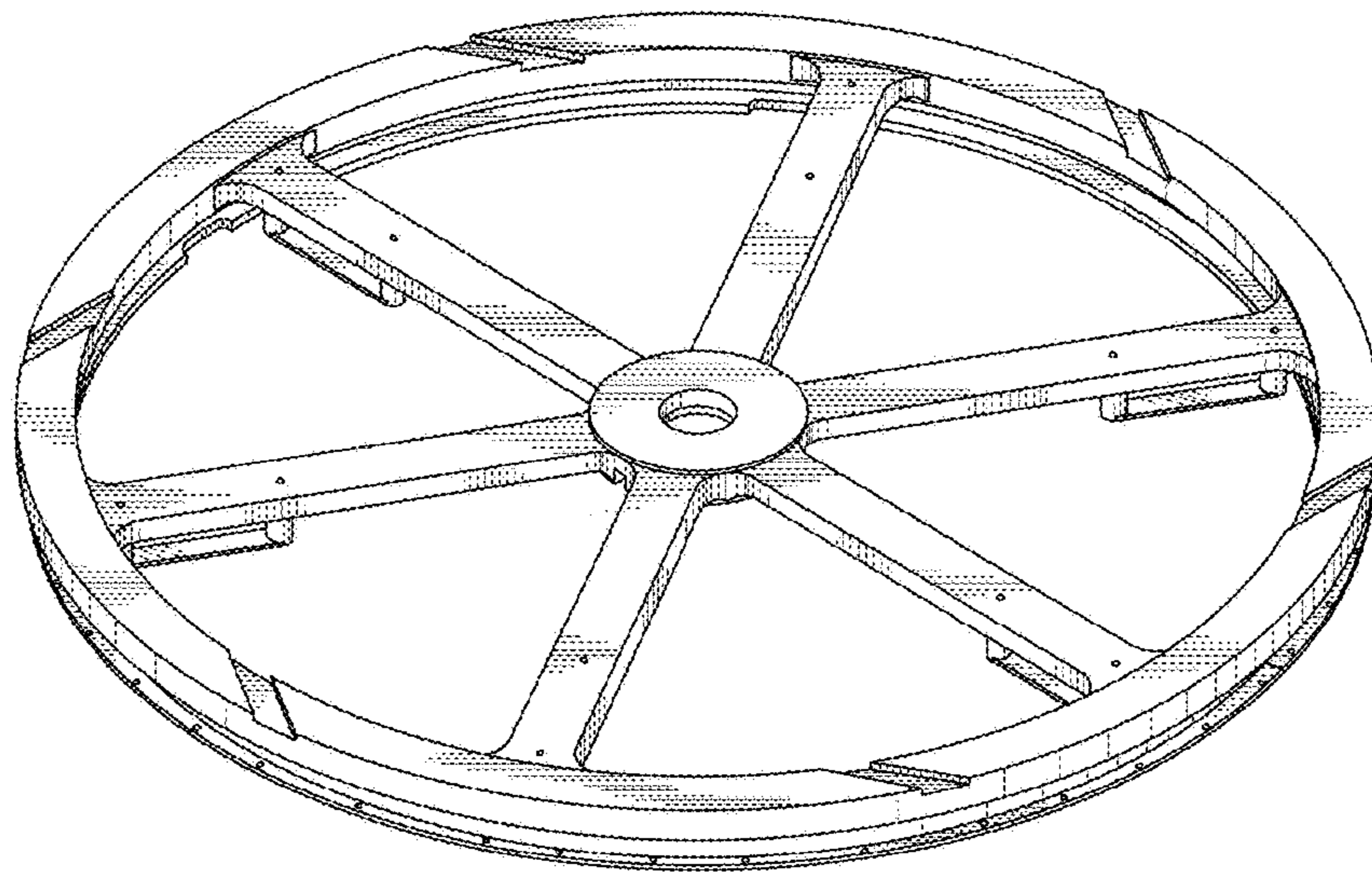




FIG.3

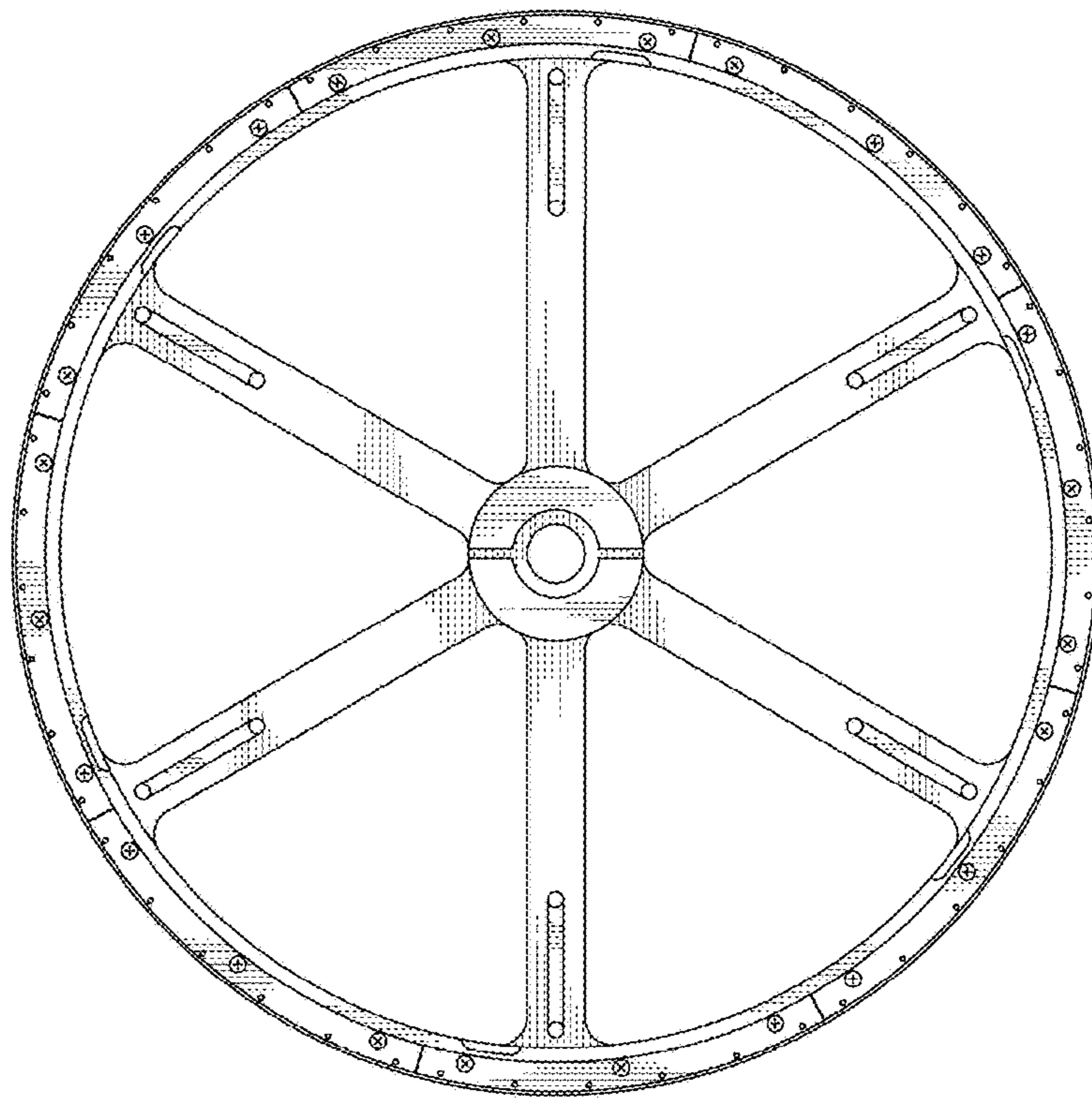


FIG.4

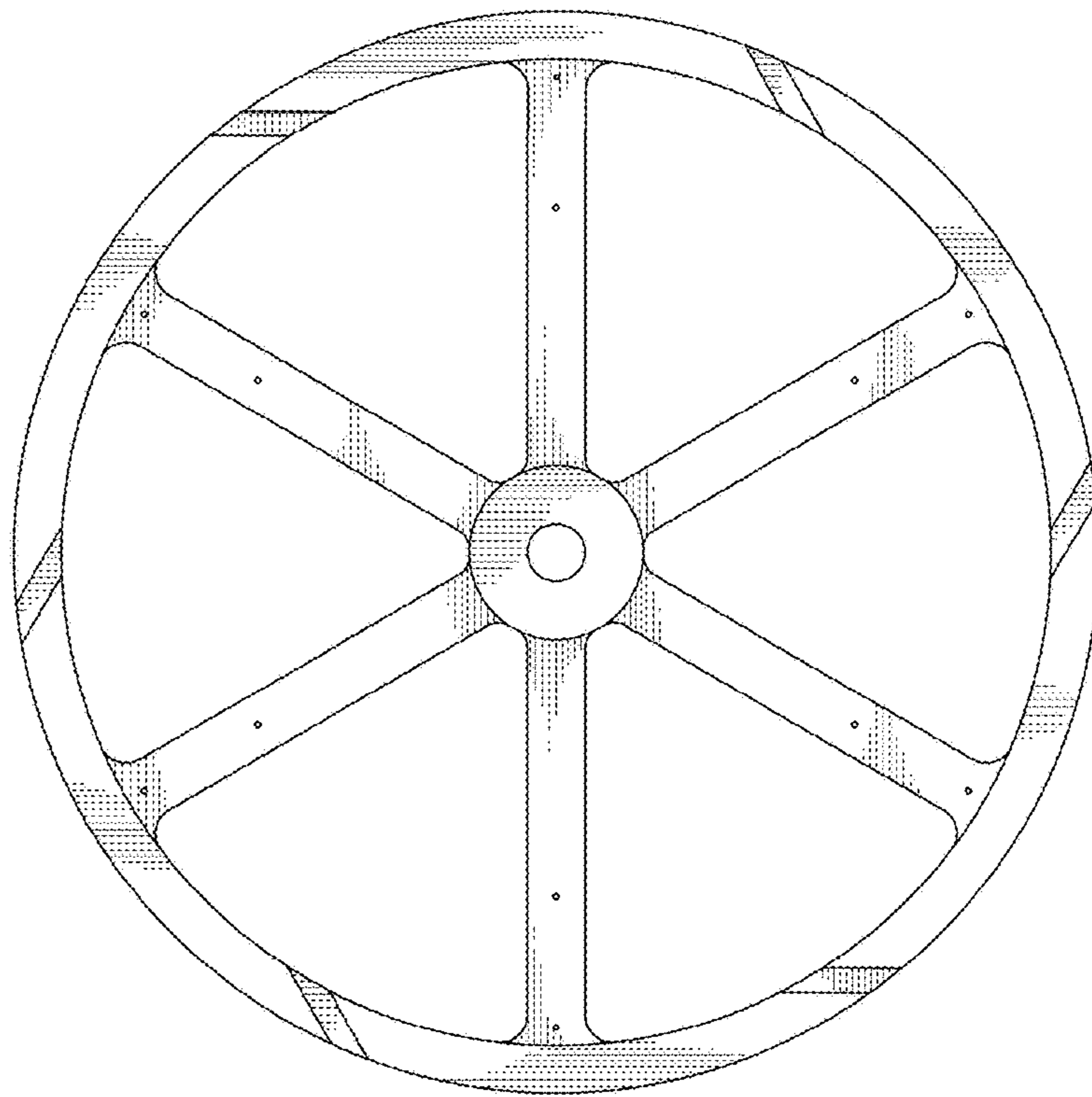


FIG.5

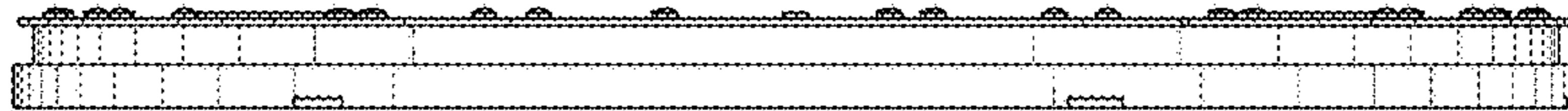


FIG.6

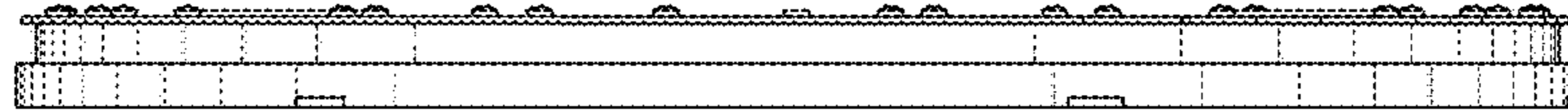


FIG. 7

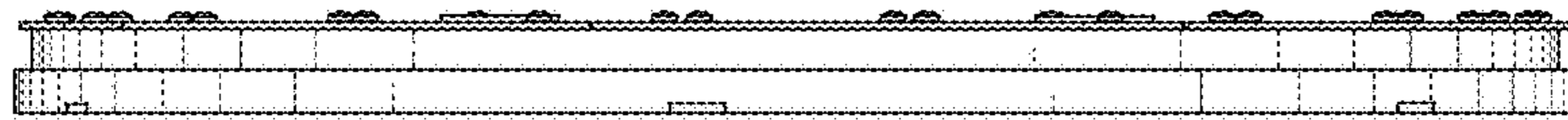




FIG.8

