



US00D845566S

(12) **United States Design Patent**
Hooley et al.

(10) **Patent No.:** **US D845,566 S**

(45) **Date of Patent:** **** Apr. 9, 2019**

(54) **VACUUM CLEANER**

(71) Applicant: **TTI (Macao Commercial Offshore Limited, Macau (MO)**

(72) Inventors: **Bradley Hooley, Charlotte, NC (US); Shawn M. Whetstone, New Albany, OH (US); Katherine M. Morgan, Columbus, OH (US); Michael D. Young, Westerville, OH (US); Steven P. Martise, Gahanna, OH (US)**

(73) Assignee: **TTI (Macao Commercial Offshore Limited, Praia Grande (MO)**

(**) Term: **15 Years**

(21) Appl. No.: **29/605,722**

(22) Filed: **May 30, 2017**

(30) **Foreign Application Priority Data**

Nov. 30, 2016 (CN) 2016 3 0584796

(51) **LOC (11) Cl.** **15-05**

(52) **U.S. Cl.**
USPC **D32/22**

(58) **Field of Classification Search**
USPC D32/17, 22, 31
CPC A47L 11/20; A47L 11/30; A47L 11/34;
A47L 7/0004; A47L 5/28; A47L 5/30;
A47L 5/32

See application file for complete search history.

(56) **References Cited**

U.S. PATENT DOCUMENTS

D730,001 S *	5/2015	Yun	D32/22
D739,620 S *	9/2015	Johnson	D32/22
D769,557 S *	10/2016	Johnson	D32/22
D770,106 S *	10/2016	Johnson	D32/22
D783,912 S *	4/2017	Shin	D32/22
D789,626 S *	6/2017	Bloemendaal	D32/22

* cited by examiner

Primary Examiner — Ruth McInroy

(74) *Attorney, Agent, or Firm* — Michael Best & Friedrich LLP

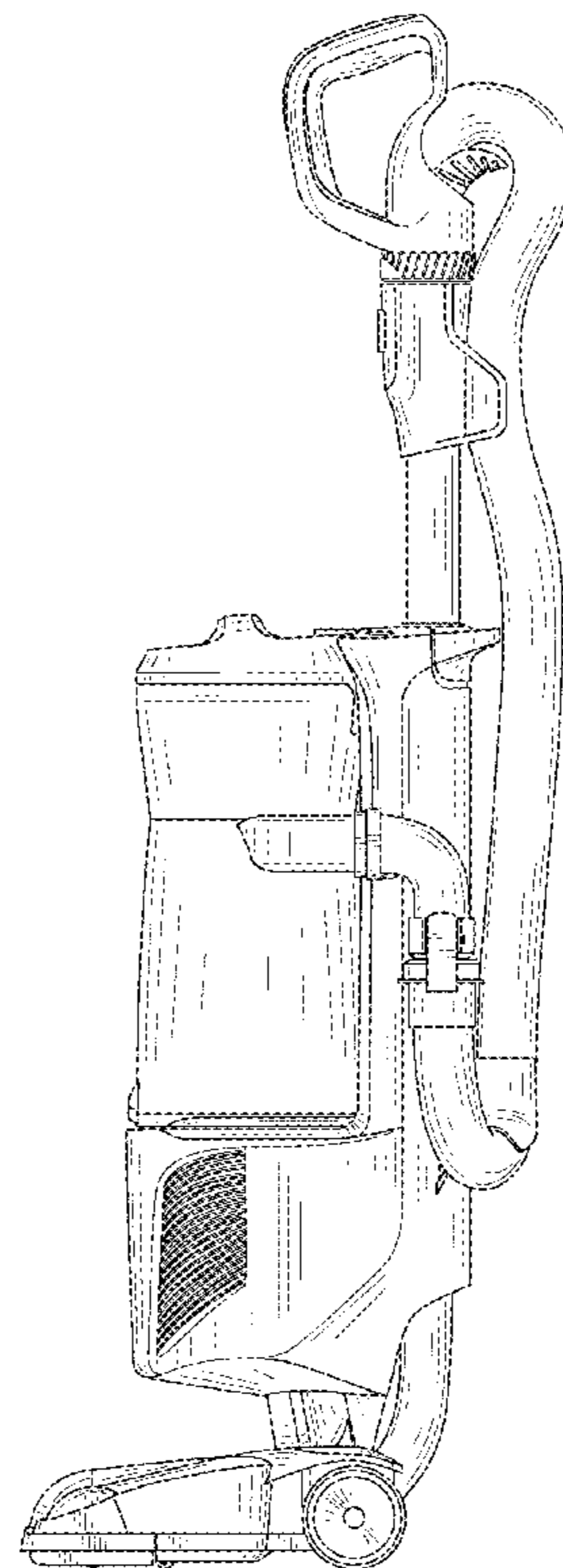
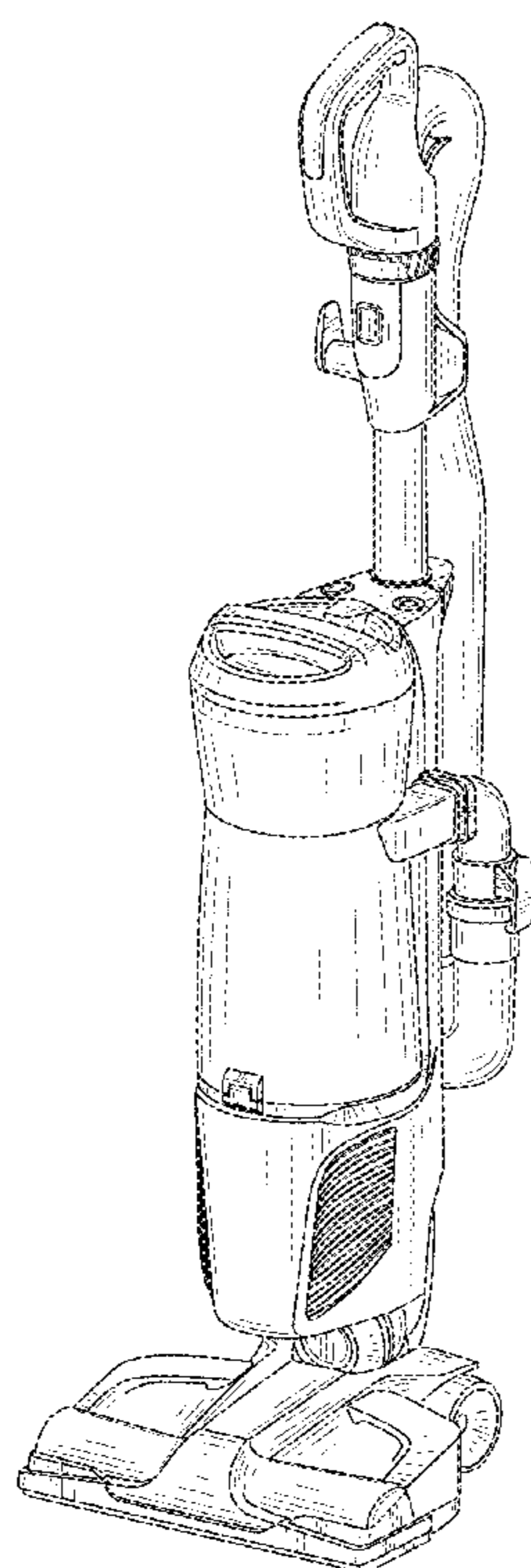
(57) **CLAIM**

We claim the ornamental design for a vacuum cleaner, as shown and described.

DESCRIPTION

FIG. 1 is a front perspective view of a vacuum cleaner showing our new design;
FIG. 2 is a front view thereof;
FIG. 3 is a rear view thereof;
FIG. 4 is a left side view thereof;
FIG. 5 is a right side view thereof; and,
FIG. 6 is a top view thereof.

1 Claim, 6 Drawing Sheets



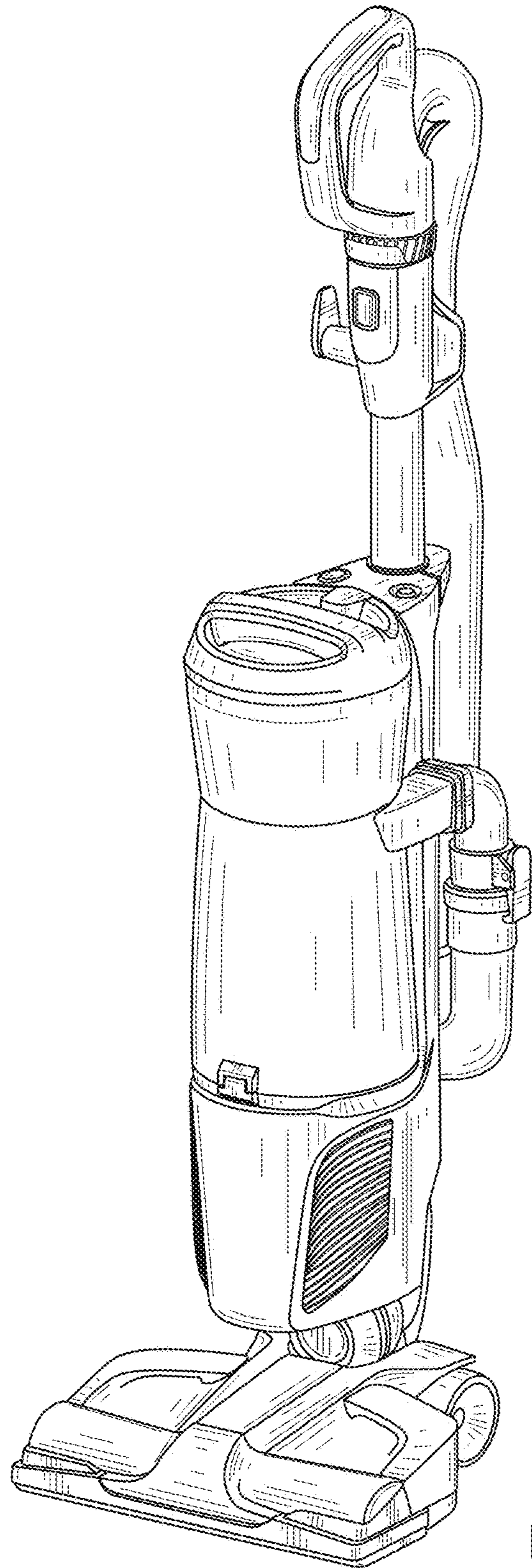


FIG. 1

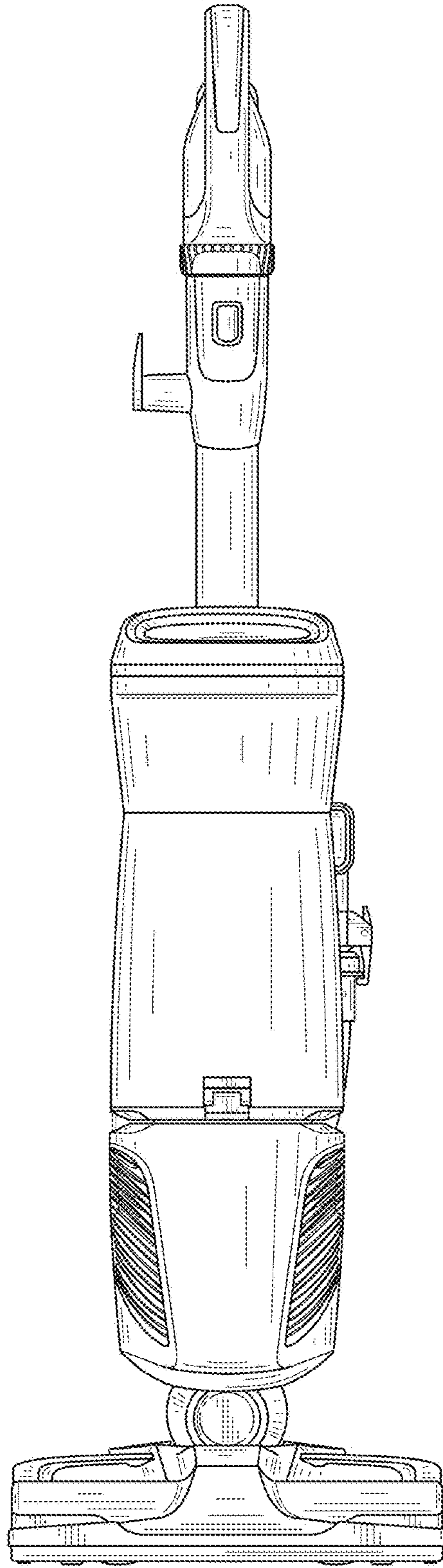


FIG. 2

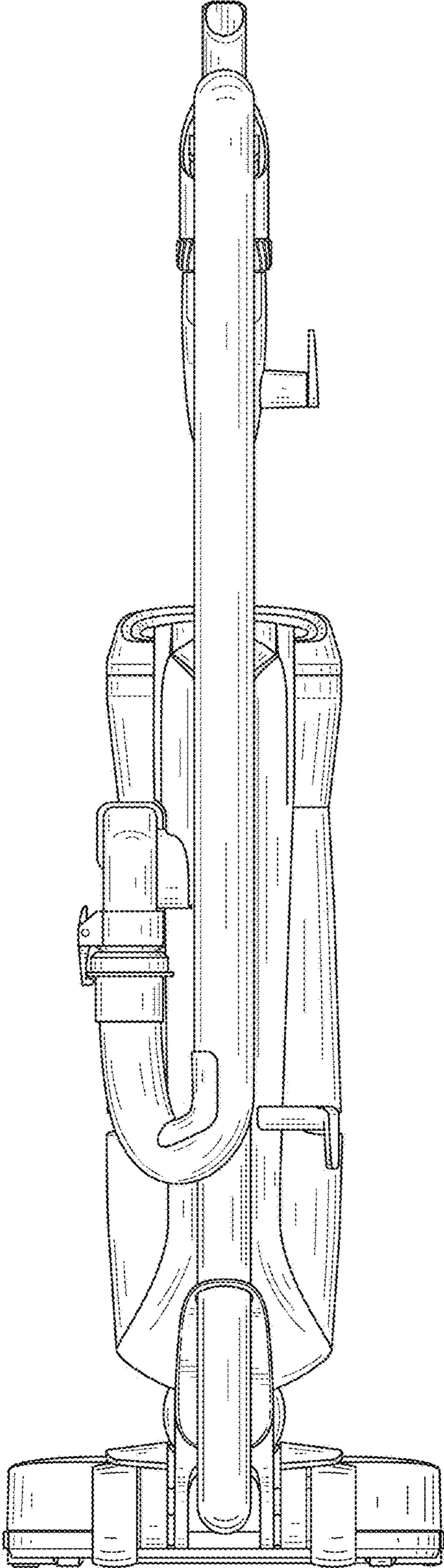


FIG. 3

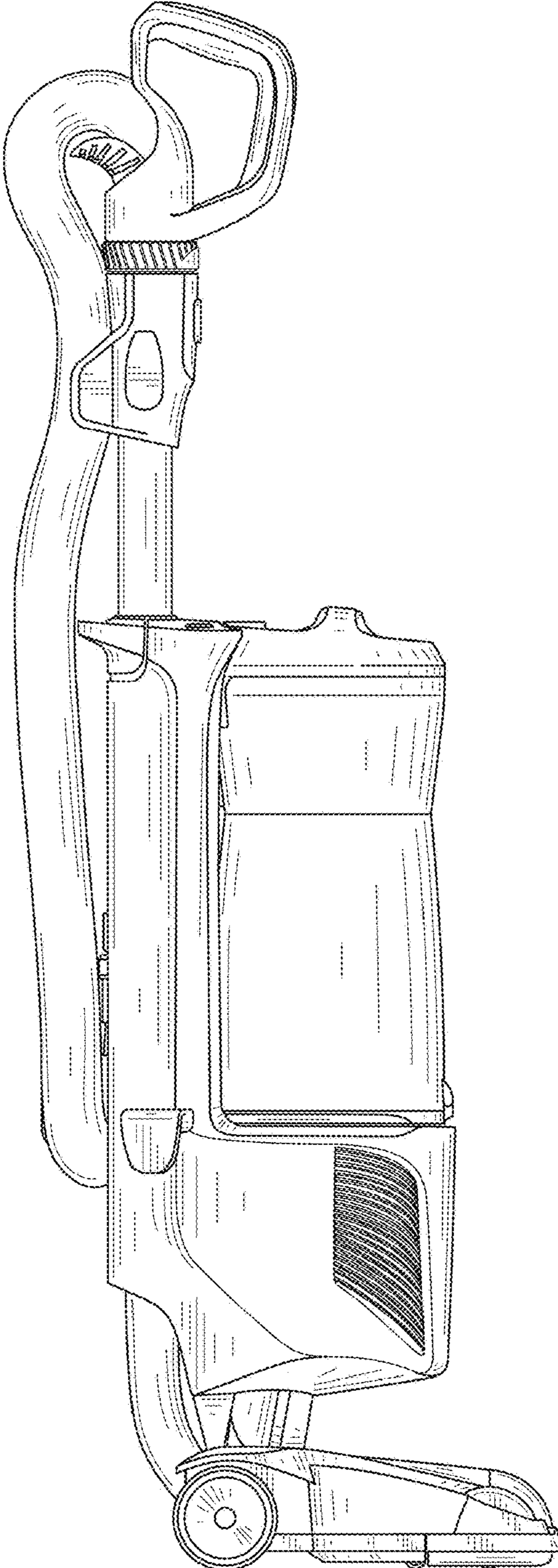


FIG. 4

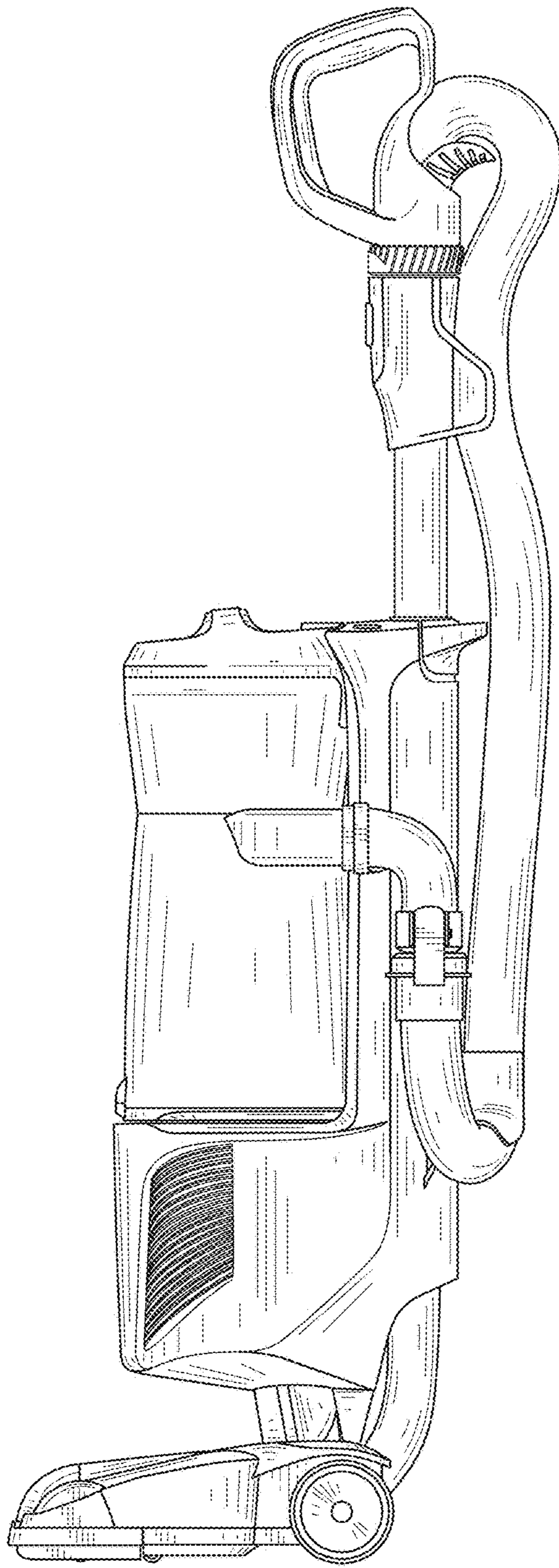


FIG. 5

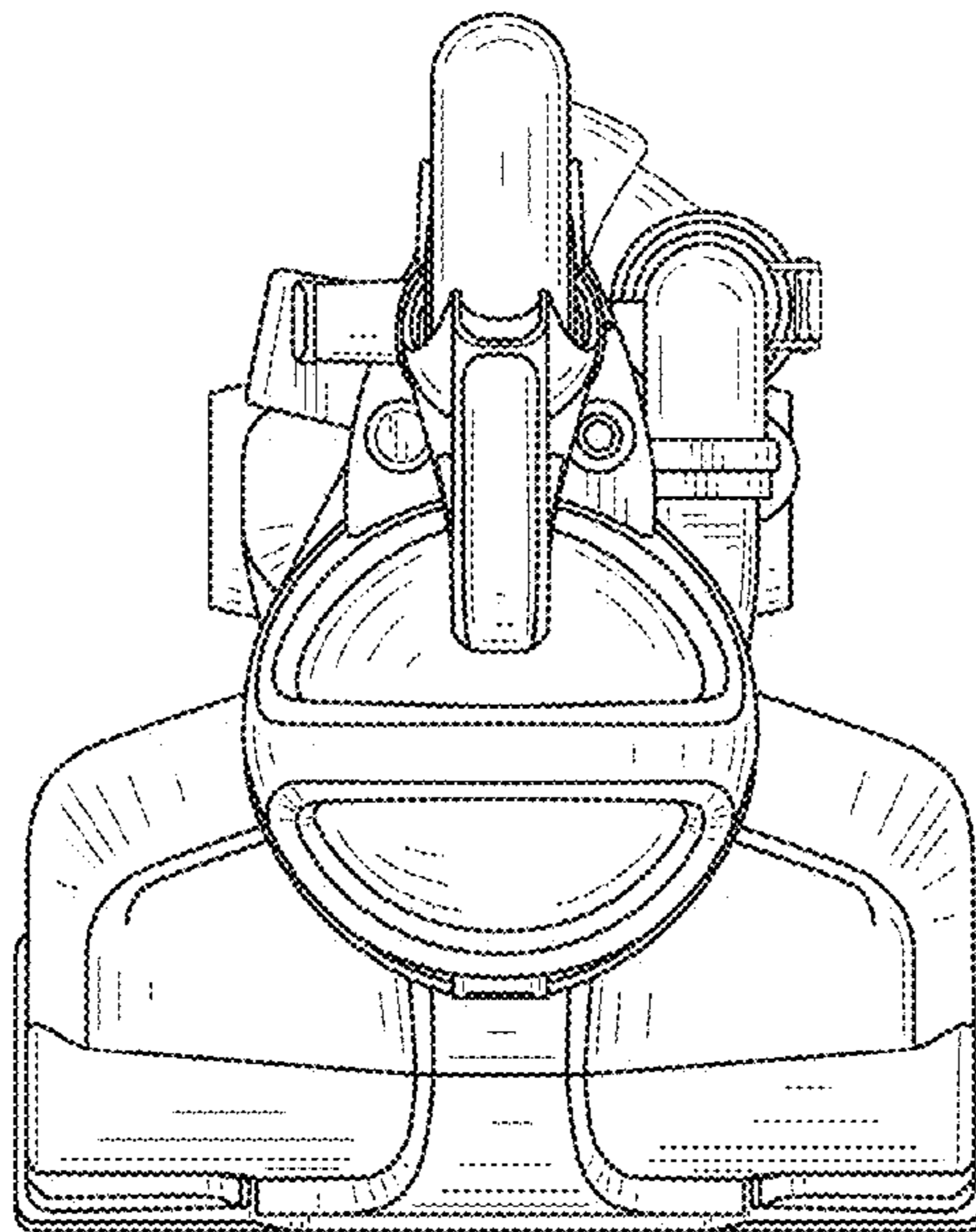


FIG. 6