



US00D845564S

(12) **United States Design Patent**
Tong

(10) **Patent No.:** **US D845,564 S**

(45) **Date of Patent:** **** Apr. 9, 2019**

(54) **DISHWASHER**

(71) Applicants: **FOSHAN SHUNDE MIDEA WASHING APPLIANCES MFG. CO., LTD.**, Guangdong (CN); **MIDEA GROUP CO., LTD.**, Foshan, Guangdong (CN)

(72) Inventor: **Jianfeng Tong**, Guangdong (CN)

(73) Assignees: **FOSHAN SHUNDE MIDEA WASHING APPLIANCES MFG. CO., LTD.**, Foshan, Guangdong (CN); **MIDEA GROUP CO. LTD.**, Foshan, Guangdong (CN)

(**) Term: **15 Years**

(21) Appl. No.: **29/630,838**

(22) Filed: **Dec. 22, 2017**

(30) **Foreign Application Priority Data**

Jul. 3, 2017 (CN) 2017 3 0286422

(51) **LOC (11) Cl.** **15-05**

(52) **U.S. Cl.**
USPC **D32/2**

(58) **Field of Classification Search**
USPC D32/2, 6, 8, 10, 25; D7/340, 348
CPC A47L 15/22; A47L 15/449; A47L 15/4463;
A47L 15/4445; A47L 15/4295; A47L
15/0055; A47L 15/0057; A47L 2301/04;
A47L 2501/07; A47L 15/0081; A47B
91/005; F25C 1/12; F25C 5/002; F25C
5/182

See application file for complete search history.

(56) **References Cited**

U.S. PATENT DOCUMENTS

3,465,761 A * 9/1969 Grunewald A47L 15/0065
134/103.1
D231,484 S * 4/1974 Peterson D32/2

D305,596 S * 1/1990 Nishibori D7/351
D310,616 S * 9/1990 Murai D7/351
D403,471 S * 12/1998 Brace D32/2
5,904,163 A * 5/1999 Inoue A47L 15/30
134/113
D424,257 S * 5/2000 Umeda D32/2
D469,299 S * 1/2003 Cha D7/351
D474,865 S * 5/2003 Chen D32/1
D527,572 S * 9/2006 Lee D7/350.1

(Continued)

Primary Examiner — Michelle E. Wilson

(74) *Attorney, Agent, or Firm* — Morgan, Lewis & Bockius LLP

(57) **CLAIM**

The ornamental design for a dishwasher, as shown and described.

DESCRIPTION

FIG. 1 is a front perspective view of a dishwasher showing my new design;

FIG. 2 is a front elevational view of the dishwasher shown in FIG. 1;

FIG. 3 is a rear elevational view of the dishwasher shown in FIG. 1;

FIG. 4 is a right-side elevational view of the dishwasher shown in FIG. 1;

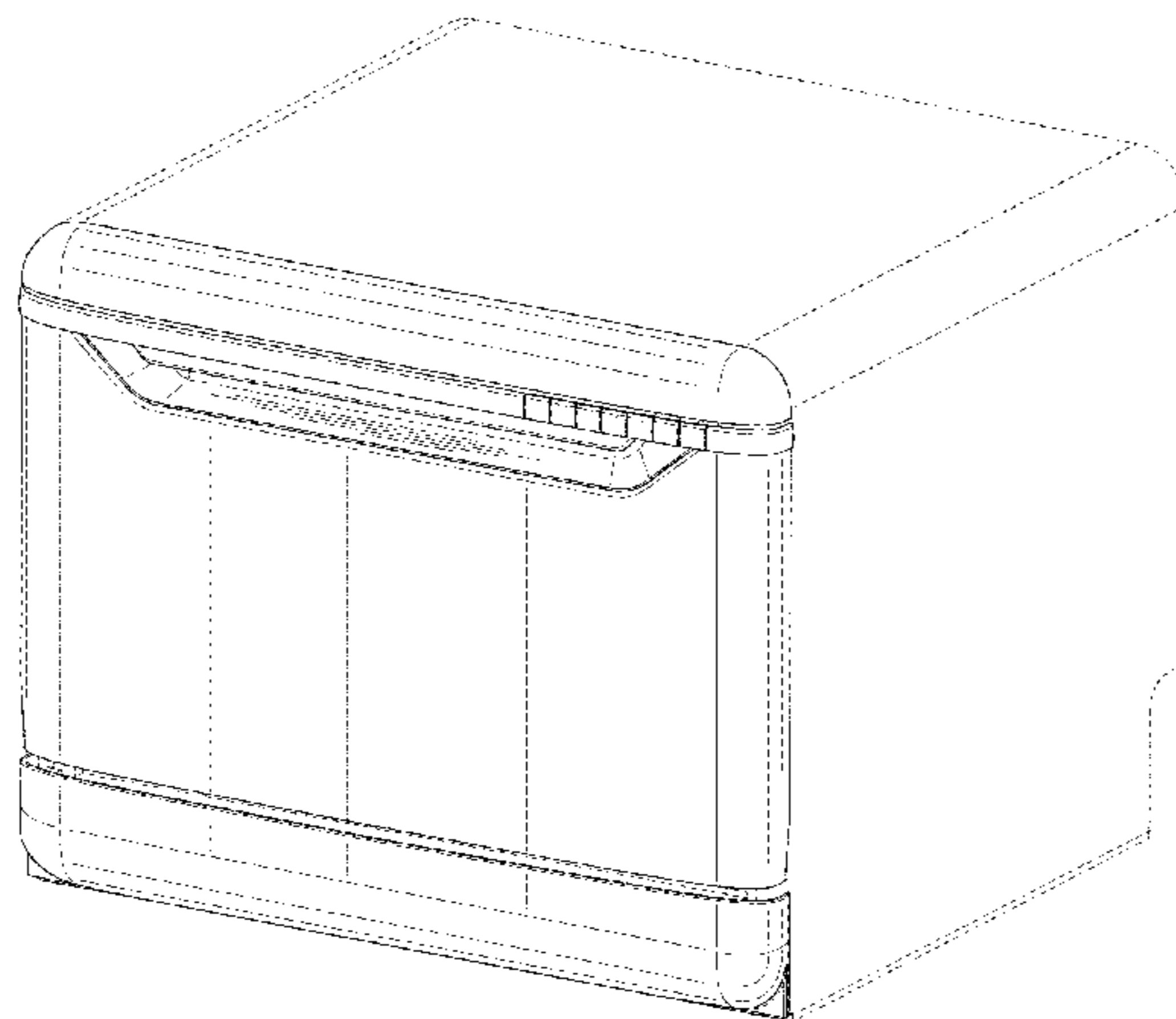
FIG. 5 is a left-side elevational view of the dishwasher shown in FIG. 1;

FIG. 6 is a top plan view of dishwasher shown in FIG. 1; and,

FIG. 7 is a bottom plan view of the dishwasher shown in FIG. 1.

The broken lines immediately adjacent the shaded areas represent the bounds of the claimed design while all other broken lines are directed to environment and are for illustrative purposes only; the broken lines form no part of the claimed design.

1 Claim, 7 Drawing Sheets



(56)

References Cited

U.S. PATENT DOCUMENTS

D566,348	S *	4/2008	Jung	D32/2
D566,910	S *	4/2008	Jung	D32/2
D587,864	S *	3/2009	Jung	D32/2
9,603,502	B2 *	3/2017	Park	A47L 15/30
2012/0125369	A1 *	5/2012	Pers	A47L 15/0023
					134/18
2013/0334940	A1 *	12/2013	Lundberg	A47L 15/0089
					312/228
2014/0159555	A1 *	6/2014	Lundberg	A47L 15/00
					312/228
2014/0230864	A1 *	8/2014	Lundberg	A47L 15/0089
					134/184

* cited by examiner

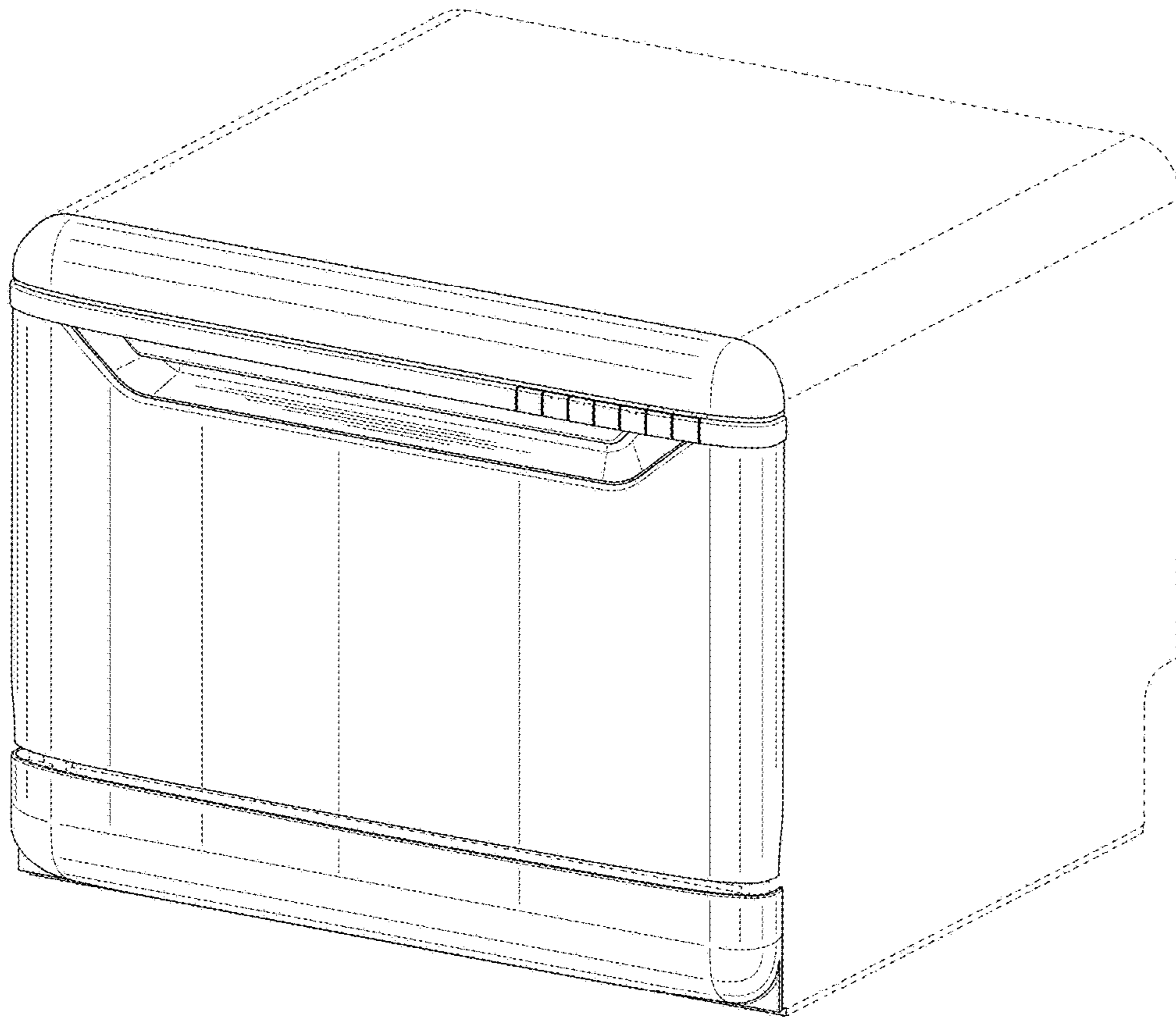


FIG. 1

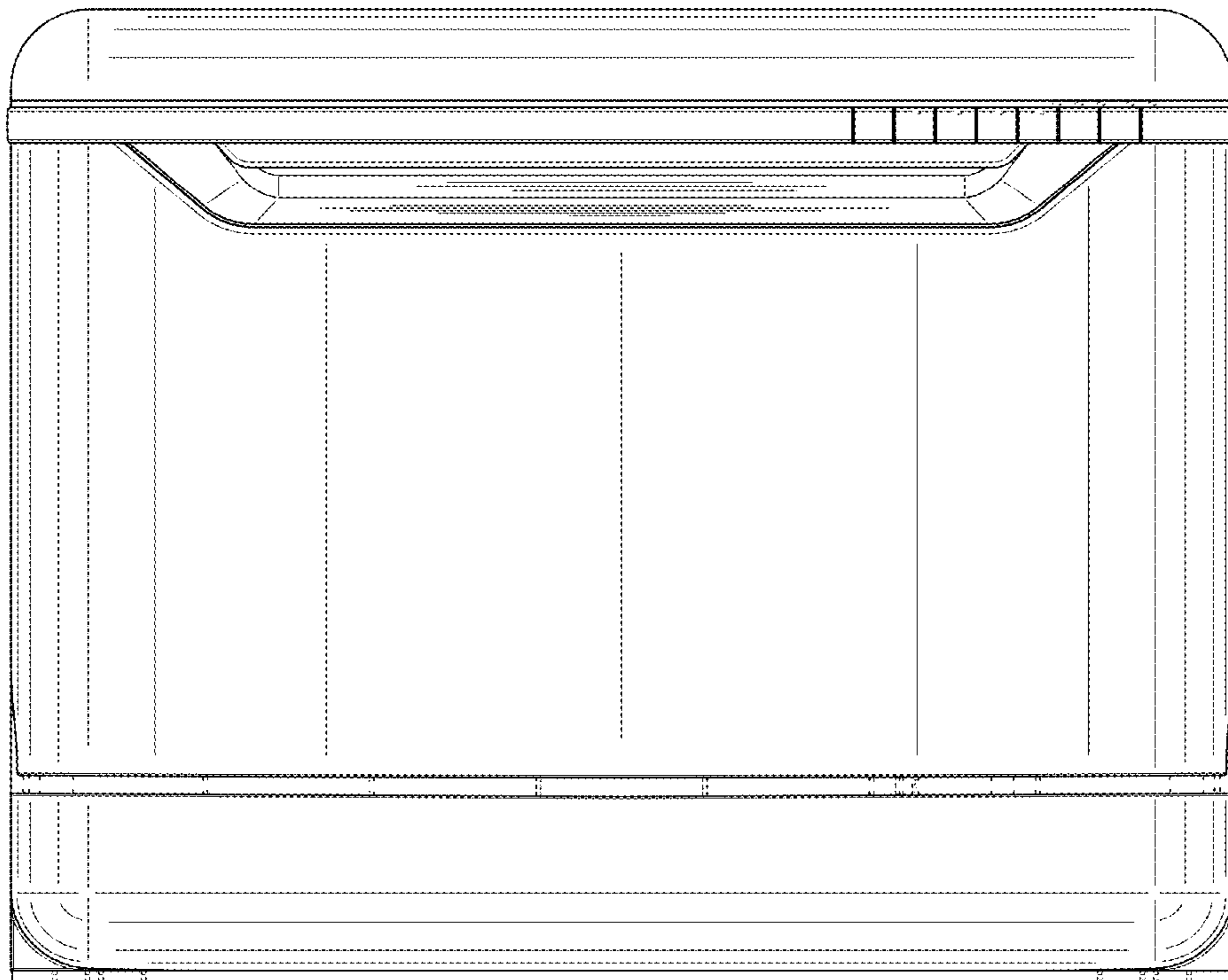


FIG. 2

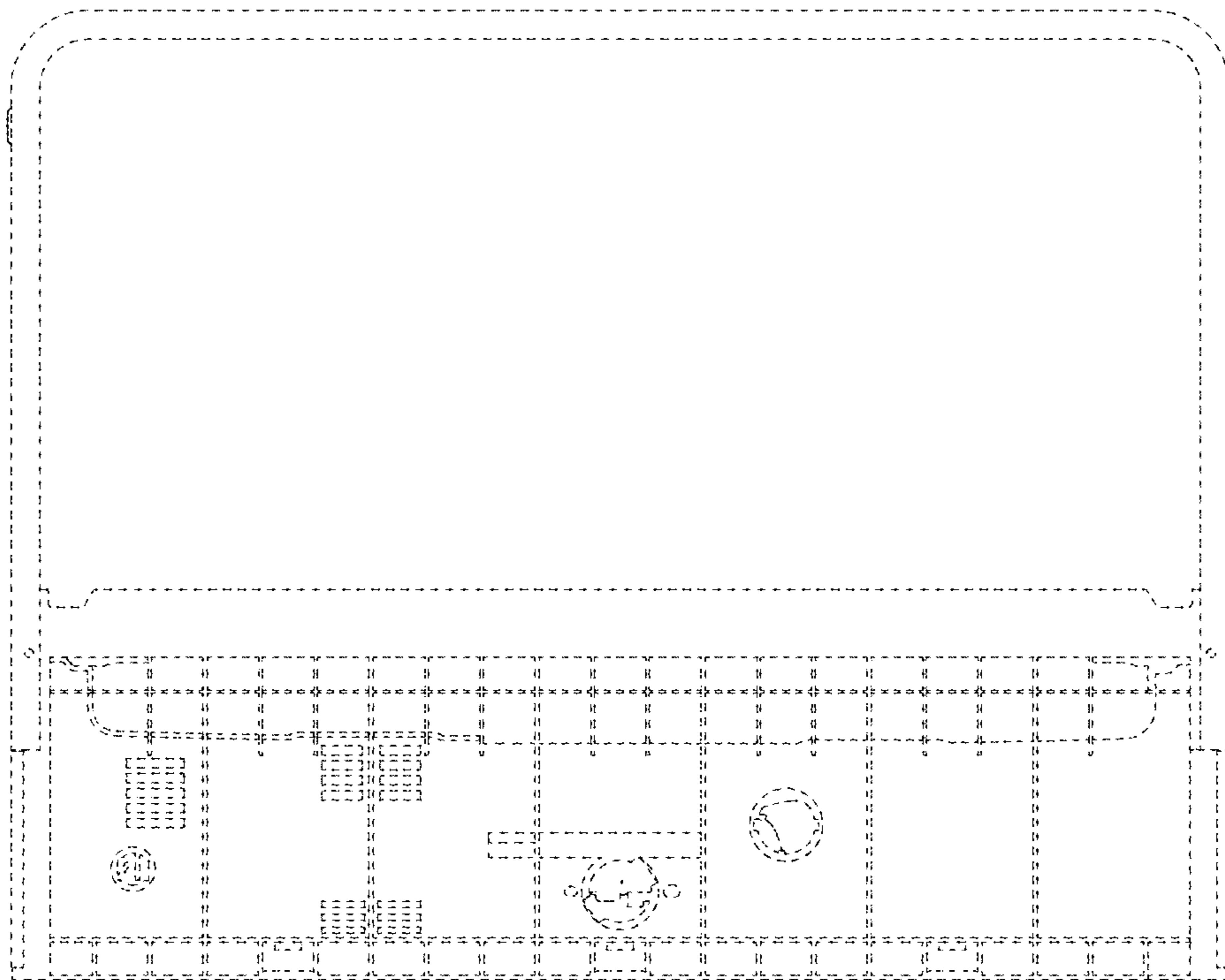


FIG. 3

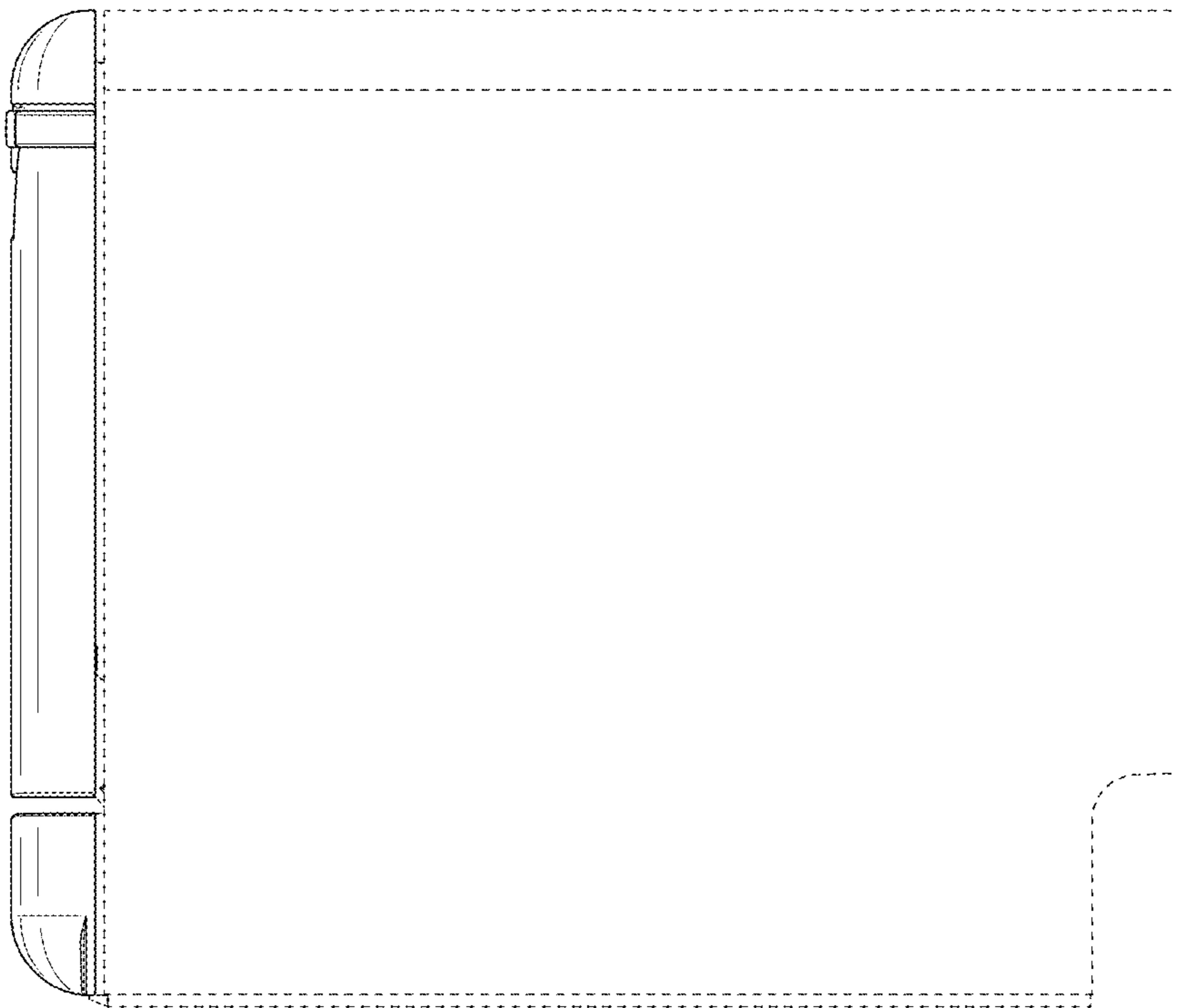


FIG. 4

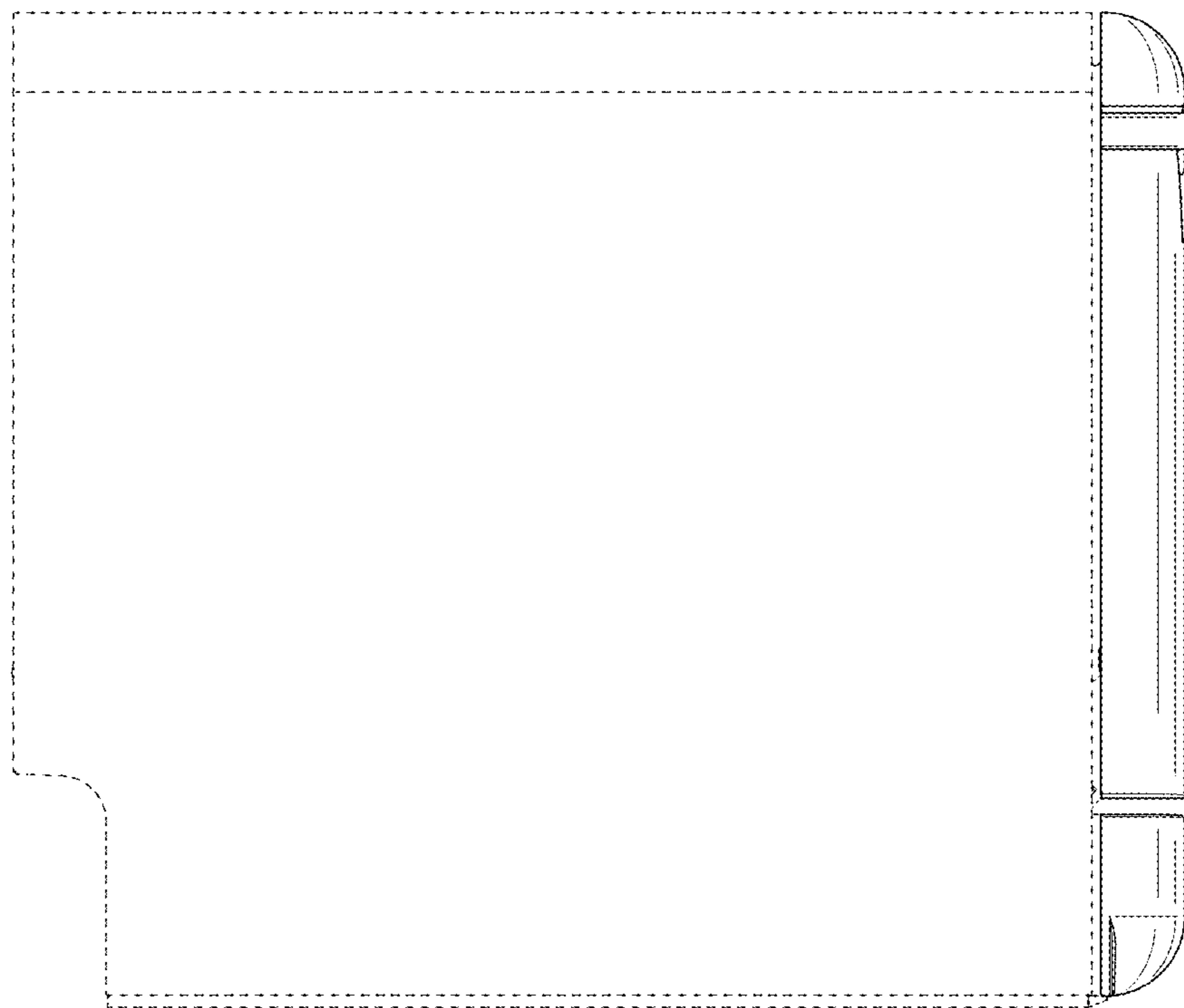


FIG. 5

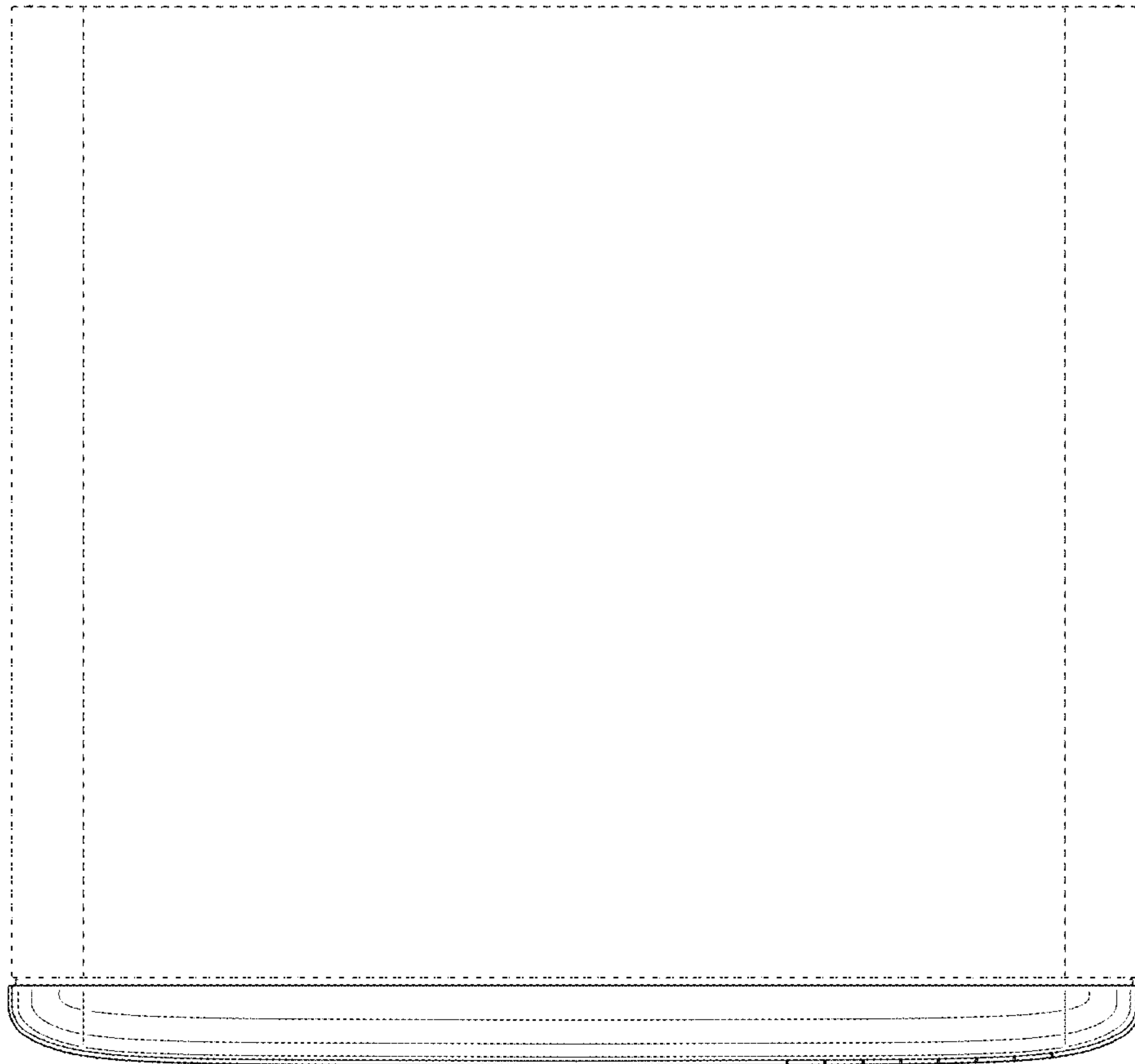


FIG. 6

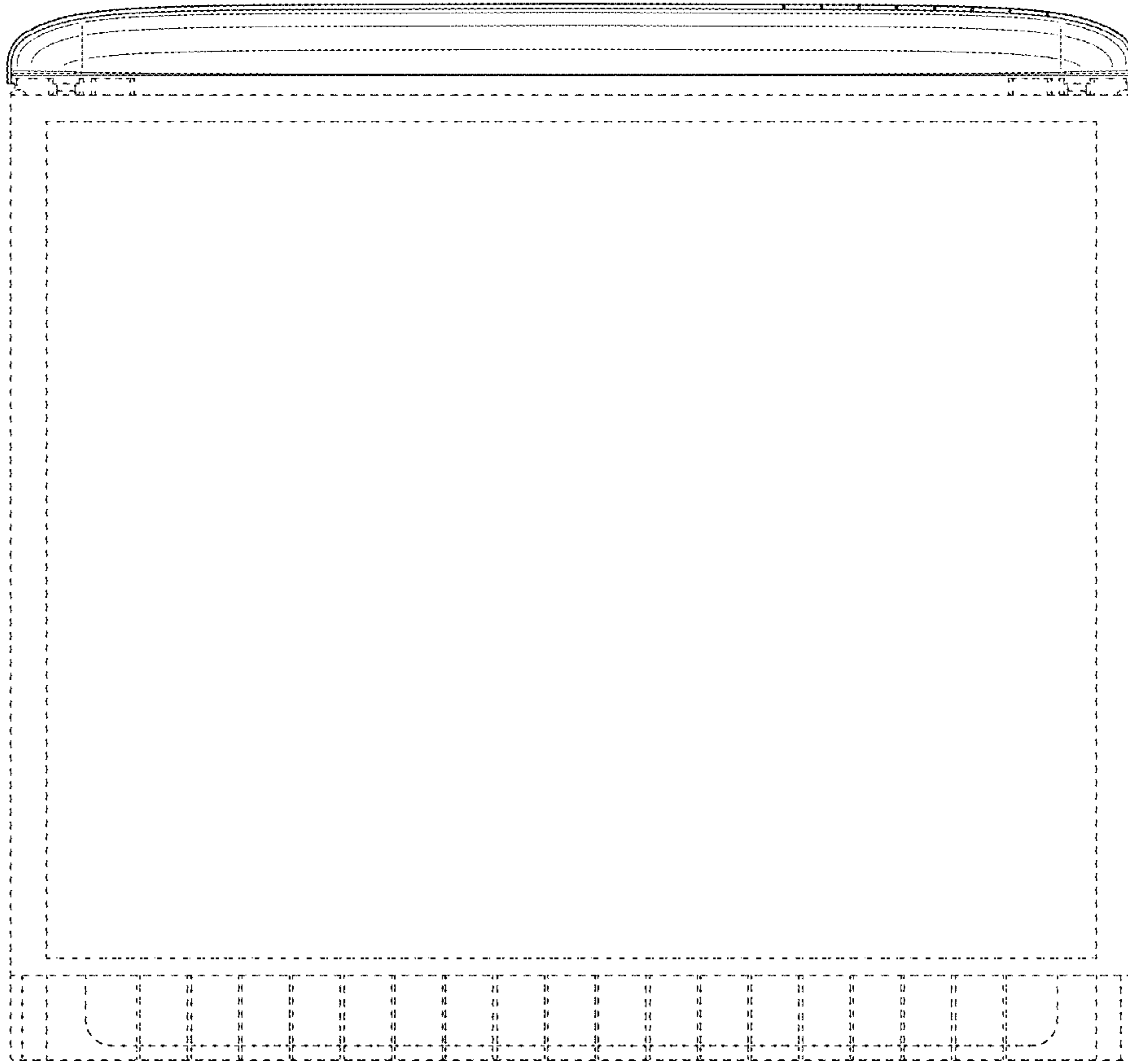


FIG. 7