



US00D845563S

(12) **United States Design Patent** (10) **Patent No.:** **US D845,563 S**
Israel (45) **Date of Patent:** **** Apr. 9, 2019**

(54) **JEWELRY STEAMER**
(71) Applicant: **Vornado Air, LLC**, Andover, KS (US)
(72) Inventor: **Gary Israel**, Andover, KS (US)
(73) Assignee: **VORNADO AIR, LLC**, Andover, KS (US)
(**) Term: **15 Years**

D438,295 S * 2/2001 Krauss D23/356
D472,022 S * 3/2003 Thau D32/1
D474,565 S * 5/2003 Pinchuk D32/1
D481,112 S * 10/2003 Best D23/356
D563,061 S * 2/2008 Richards D32/1
D771,881 S * 11/2016 Kessler D32/1
2011/0256287 A1* 10/2011 Sus A47J 27/16
426/510
2013/0323371 A1* 12/2013 Kutcher A47J 31/407
426/231
2015/0297024 A1* 10/2015 Everett, Jr. A47J 31/542
239/135

(21) Appl. No.: **29/623,492**
(22) Filed: **Oct. 25, 2017**
(51) **LOC (11) Cl.** **15-01**
(52) **U.S. Cl.**
USPC **D32/1**
(58) **Field of Classification Search**
USPC D23/360; D28/9; 4/537; 607/83, 84;
D24/110, 217-218; 392/337; D32/1, 25;
134/117-118, 135, 184; 15/1, 1.51-1.52,
15/320
CPC .. A47J 27/16; A47J 27/04; A21B 3/04; A21D
17/008; A23L 5/13
See application file for complete search history.

* cited by examiner

Primary Examiner — David G Muller
Assistant Examiner — Nathan M Johnston
(74) *Attorney, Agent, or Firm* — Miligan PC LLO

(57) **CLAIM**

An ornamental design for a jewelry steamer, as shown and featured in the accompanying drawings.

DESCRIPTION

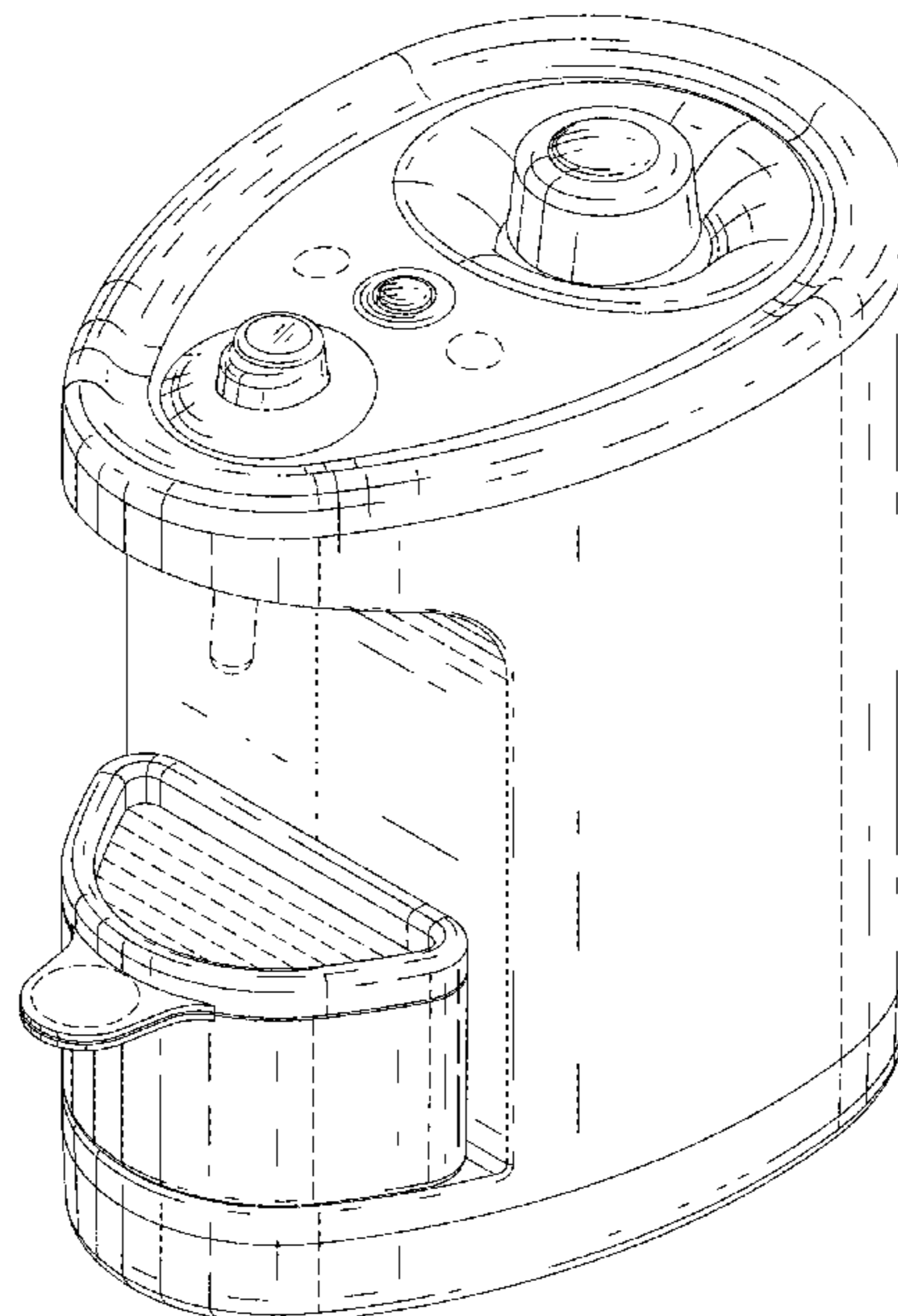
FIG. 1 is a left, front, top perspective view of a jewelry steamer in accordance with the present invention; FIG. 2 is a right, front, top perspective view thereof; FIG. 3 is a left, front, bottom perspective view thereof; FIG. 4 is a left elevation view thereof; and, FIG. 5 is a rear elevation view thereof. In the drawings, the broken lines in FIGS. 1-5 depict portions of the design that form no part of the claim. The left and right sides of the design are a mirror images.

1 Claim, 5 Drawing Sheets

(56) **References Cited**

U.S. PATENT DOCUMENTS

D362,906 S * 10/1995 Chiu D23/356
D382,635 S * 8/1997 Jane D23/356
D385,342 S * 10/1997 Jane D23/356
D402,744 S * 12/1998 Zuege D23/356



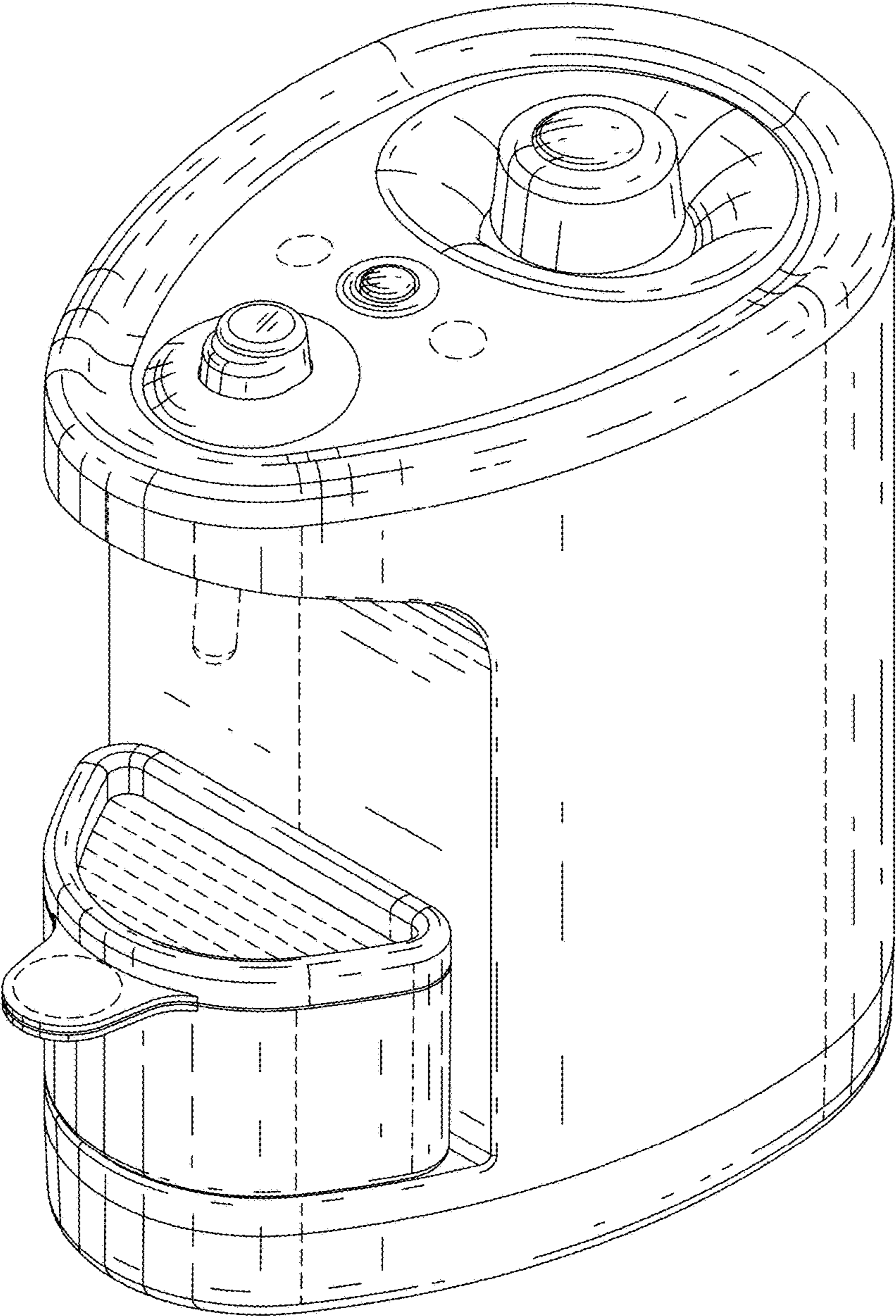


FIG. 1

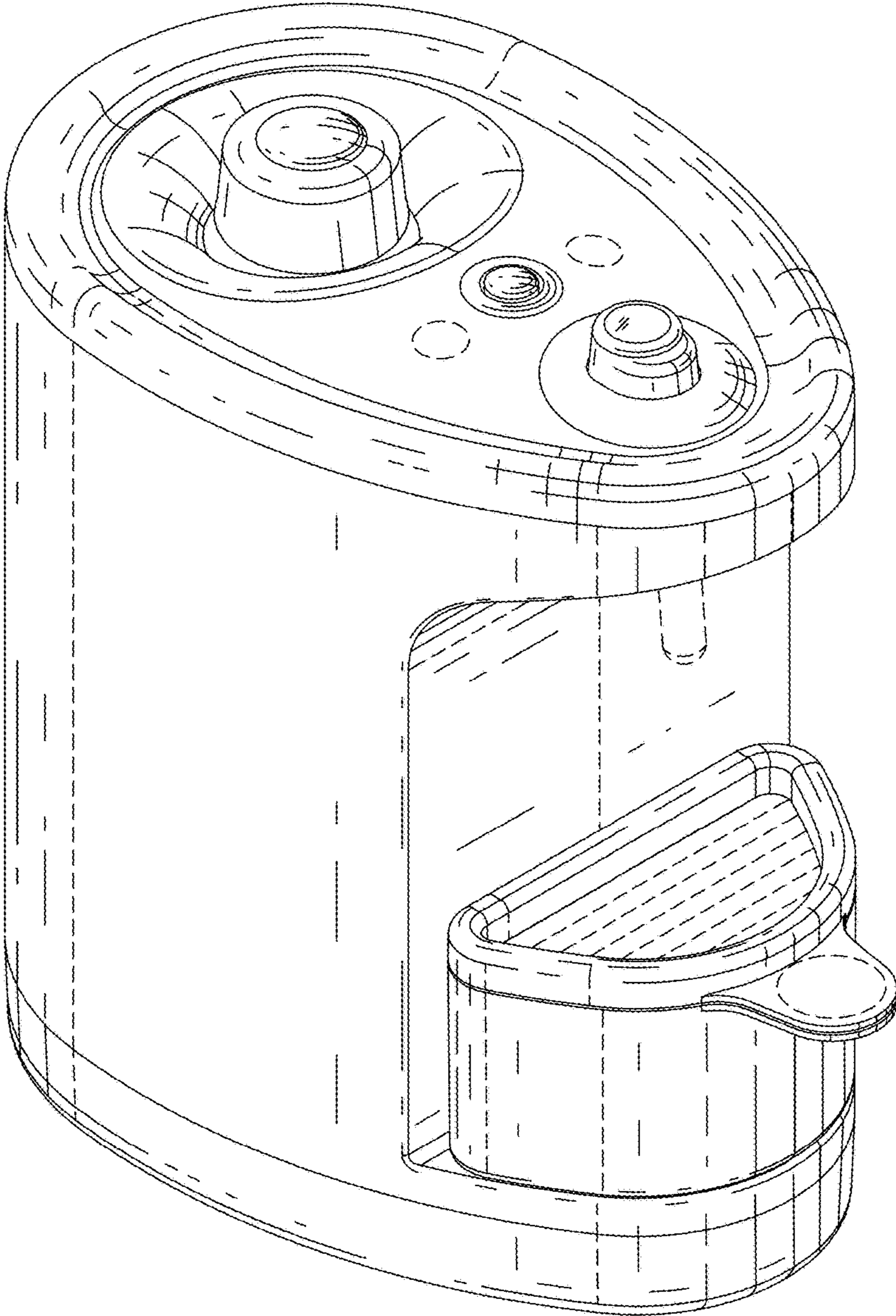


FIG. 2

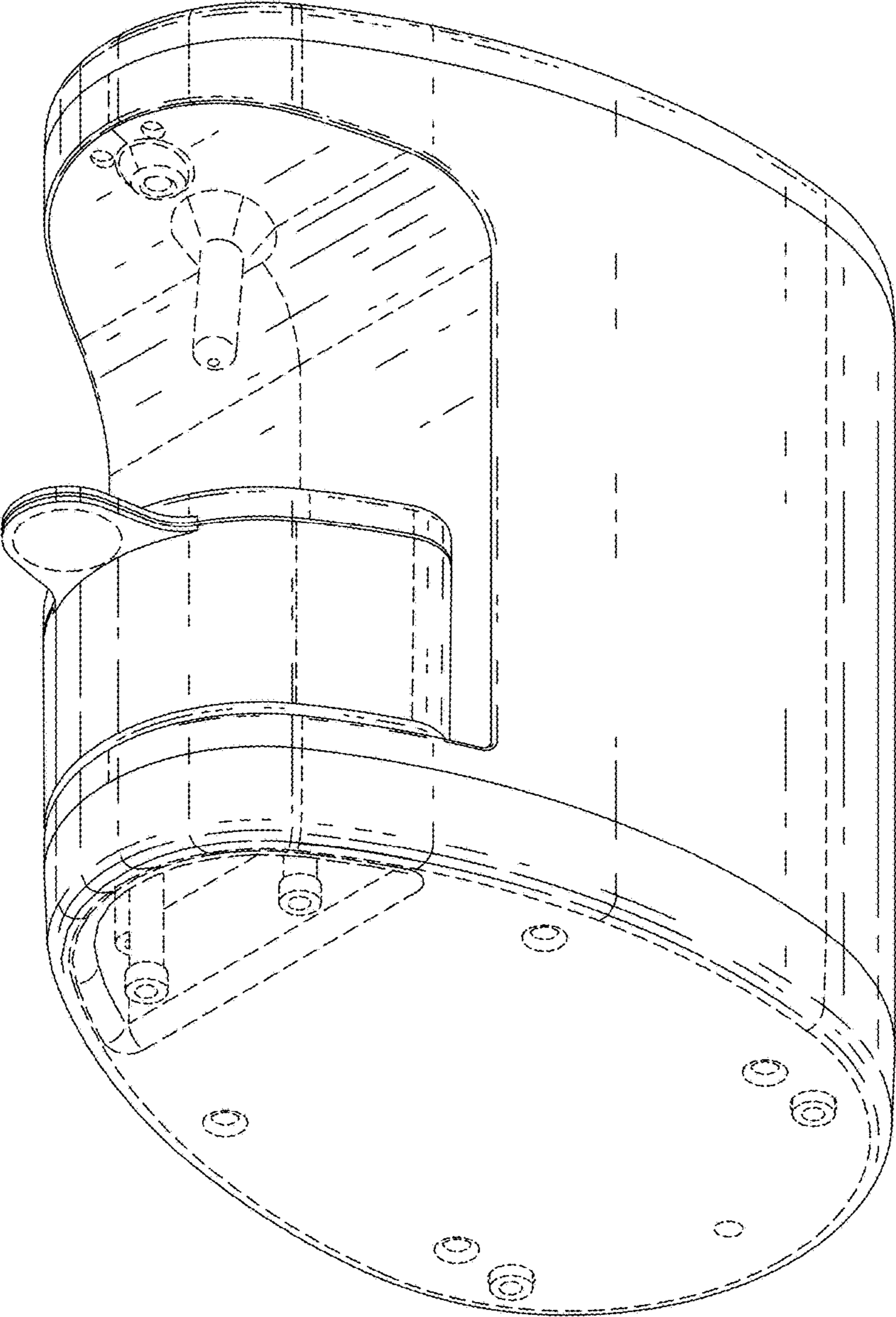


FIG. 3

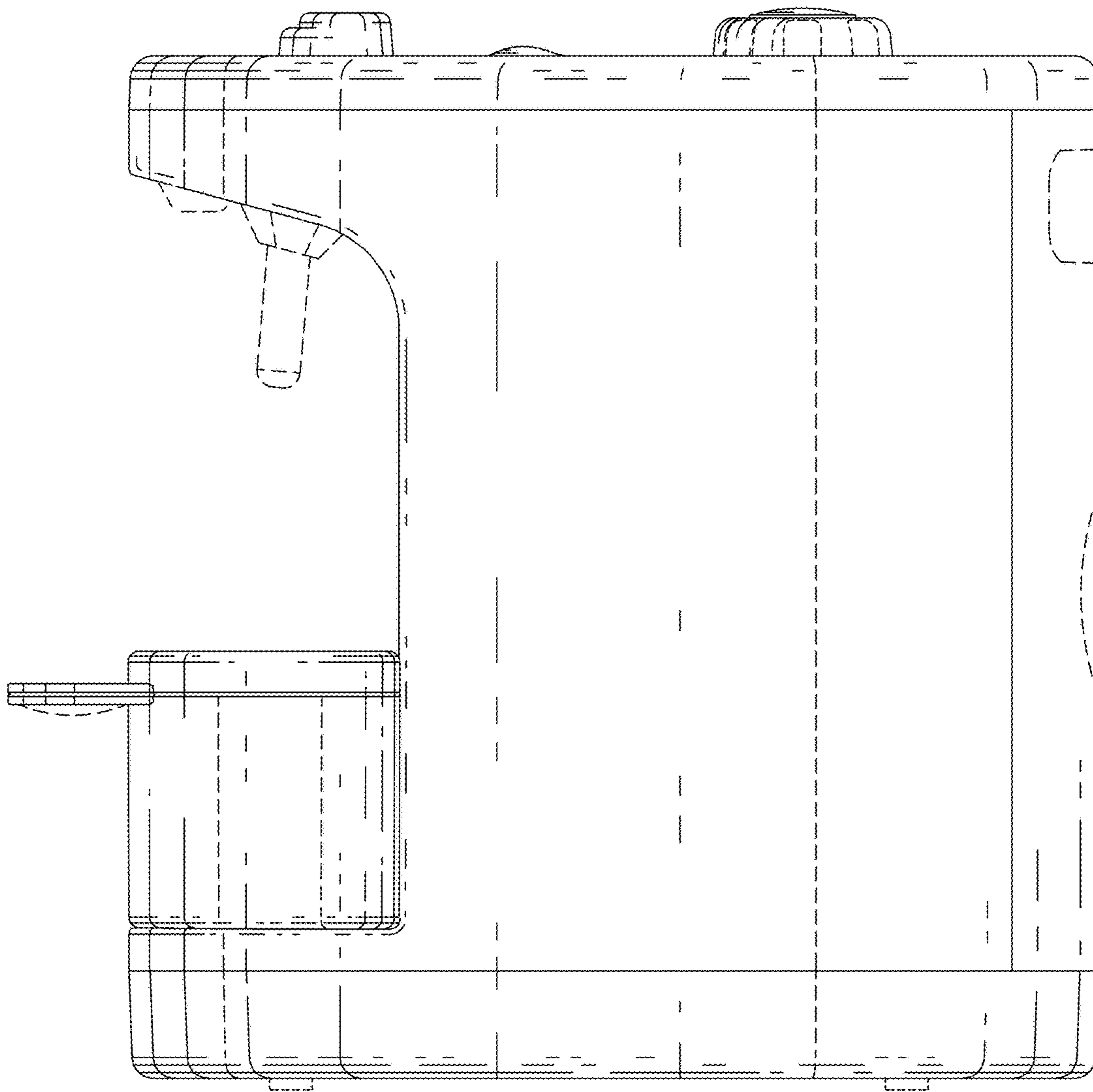


FIG. 4

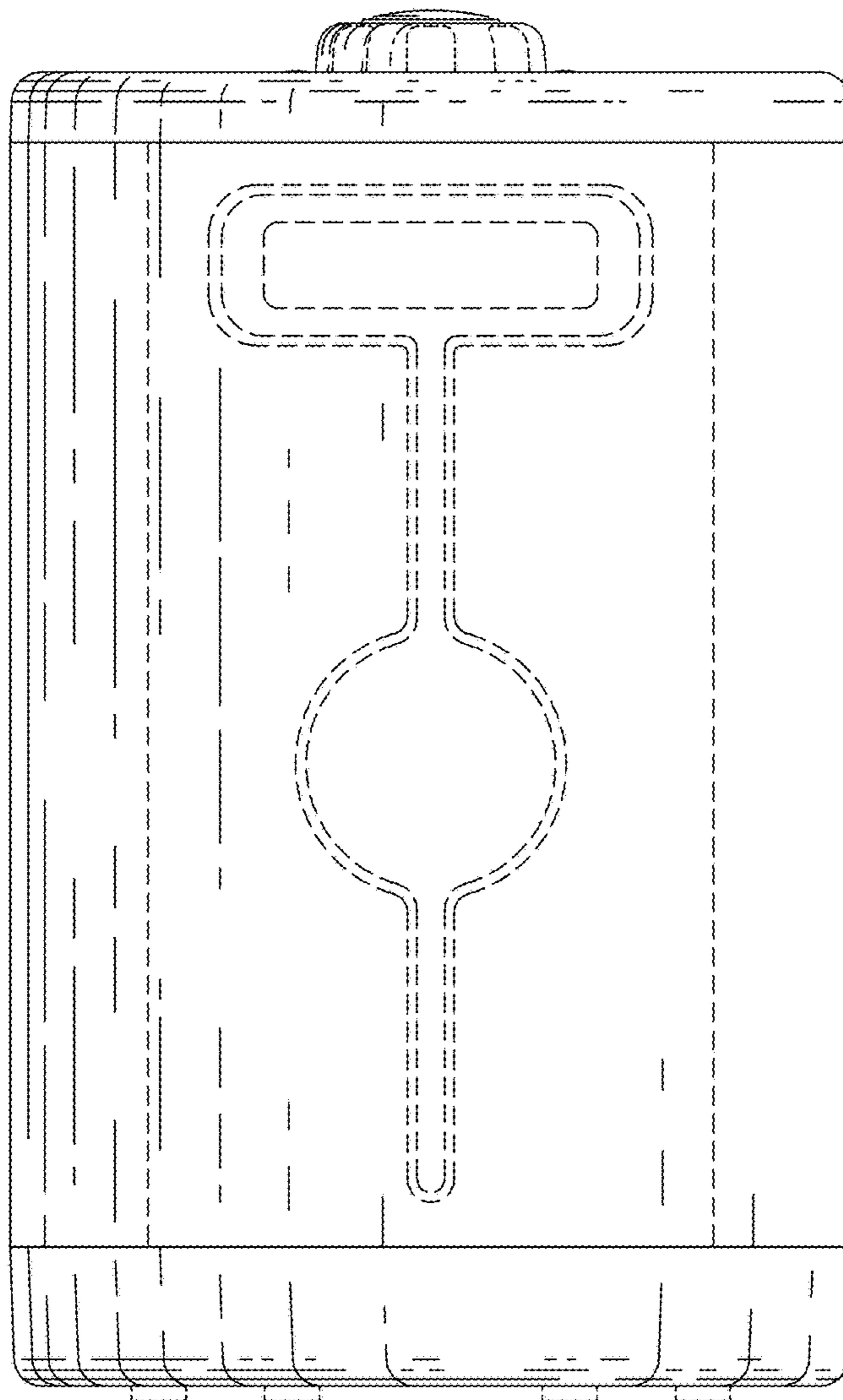


FIG. 5