



US00D845561S

(12) **United States Design Patent** (10) **Patent No.:** **US D845,561 S**
Crane (45) **Date of Patent:** **** Apr. 9, 2019**

(54) **DOGGY TENNIS BALL**

(71) Applicant: **Sabine S. Crane**, San Clemente, CA (US)

(72) Inventor: **Sabine S. Crane**, San Clemente, CA (US)

(**) Term: **15 Years**

(21) Appl. No.: **29/596,583**

(22) Filed: **Mar. 9, 2017**

(51) **LOC (11) Cl.** **30-99**

(52) **U.S. Cl.**
USPC **D30/160**

(58) **Field of Classification Search**
USPC D21/398, 400, 402, 412, 415, 426, 436, D21/439, 440, 441, 443, 455, 460-462, D21/466-468, 479, 495, 563, 656, 712, D21/713, 788, 799.1, 470, 681; D24/211, D24/214, 215, 193-195; D30/160, 112, D30/119; D1/125-127
CPC A63H 5/00; A63H 33/26; A63H 33/18; A63H 29/22; A63H 29/24; A63H 2200/00; A63H 11/00; A63H 13/00; A63H 18/02; A63H 18/14; A63H 18/16; A63H 29/00; A63H 33/009; A63H 33/22; A63H 33/3055; A63H 3/003; A63H 3/006; A63H 3/008; A63H 3/24; A63H 3/28; A63H 3/31; A63H 3/36; A63H 9/00; A63B 59/20; A63B 69/406; A63B 47/04; A63B 2220/51; A63B 2220/53; A63B 2220/56; A63B 2220/805; A63B 2071/0625; A63B 2071/063; A63B 2220/17; A63B 2220/18; A63B 2220/40; A63B 2220/803; A63B 2220/833; A63B 43/004; A63B 43/06; A63B 71/0622; A63B 2071/0602; A63B 21/0055; A63B 2207/02; A63B 2225/54; A63B 69/0053; A63B 2047/043

See application file for complete search history.

(56) **References Cited**

U.S. PATENT DOCUMENTS

1,531,162	A *	3/1925	Tadeo Valero	A63B 37/12 473/600
5,048,829	A *	9/1991	Prokupek	A63B 43/002 473/595
5,588,648	A *	12/1996	Stebbins	A63B 37/02 473/451
D424,256	S *	5/2000	Lindgren	D21/714
6,224,513	B1 *	5/2001	Chow	A63B 23/16 473/601
D456,959	S *	5/2002	Simon	D30/160
D516,145	S *	2/2006	Oblack	D21/713
D577,396	S *	9/2008	Burger	D21/713
D617,509	S *	6/2010	Rutherford	D30/160
D673,740	S *	1/2013	Burger	D21/707
D822,918	S *	7/2018	Woods	D30/160
D822,919	S *	7/2018	Woods	D30/160

* cited by examiner

Primary Examiner — Lilyana Bekic

Assistant Examiner — Aula Soroush

(74) *Attorney, Agent, or Firm* — Andrew S. Dallmann, P.C.; Eastman McCartney Dallmann LLP

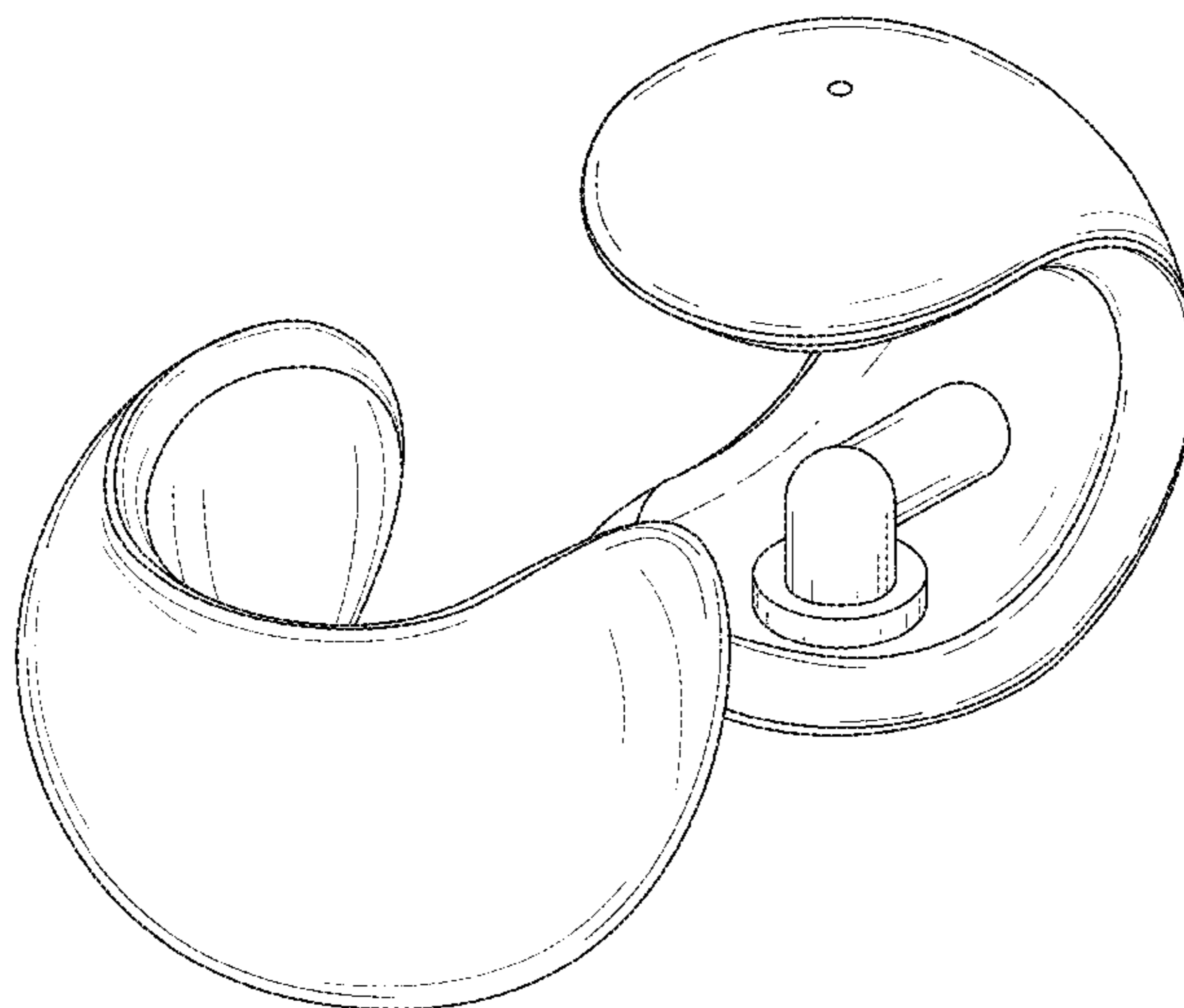
(57) **CLAIM**

The ornamental design for a doggy tennis ball, as shown and described.

DESCRIPTION

FIG. 1 is an exploded front perspective view of the doggy tennis ball showing my new design;
FIG. 2 is a left side elevational view thereof;
FIG. 3 is an assembled left side elevational view thereof, the right side elevational view being a mirror image thereof;
FIG. 4 is a front elevational view thereof; and,
FIG. 5 is a top plan view thereof.

1 Claim, 3 Drawing Sheets



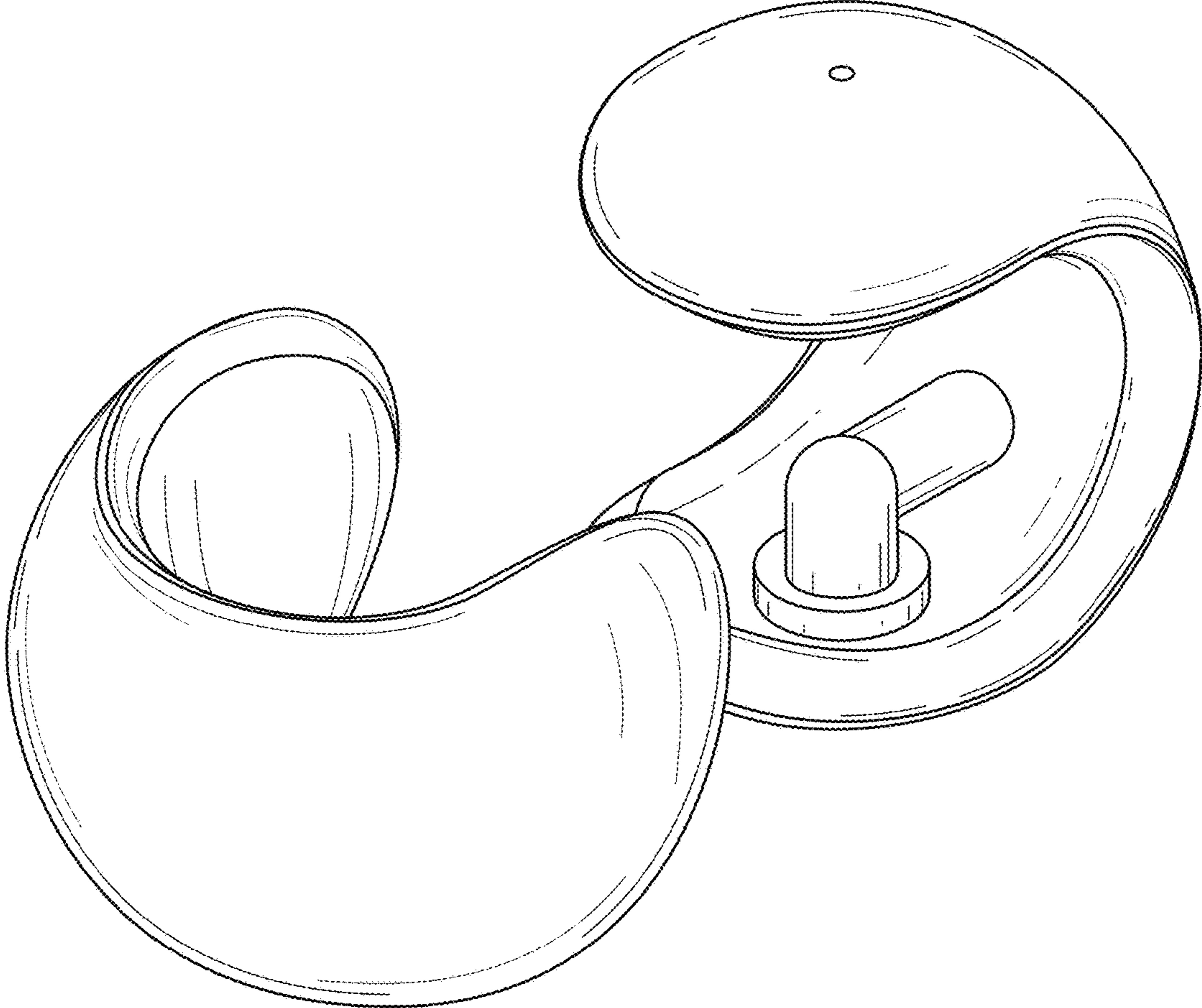


FIG. 1

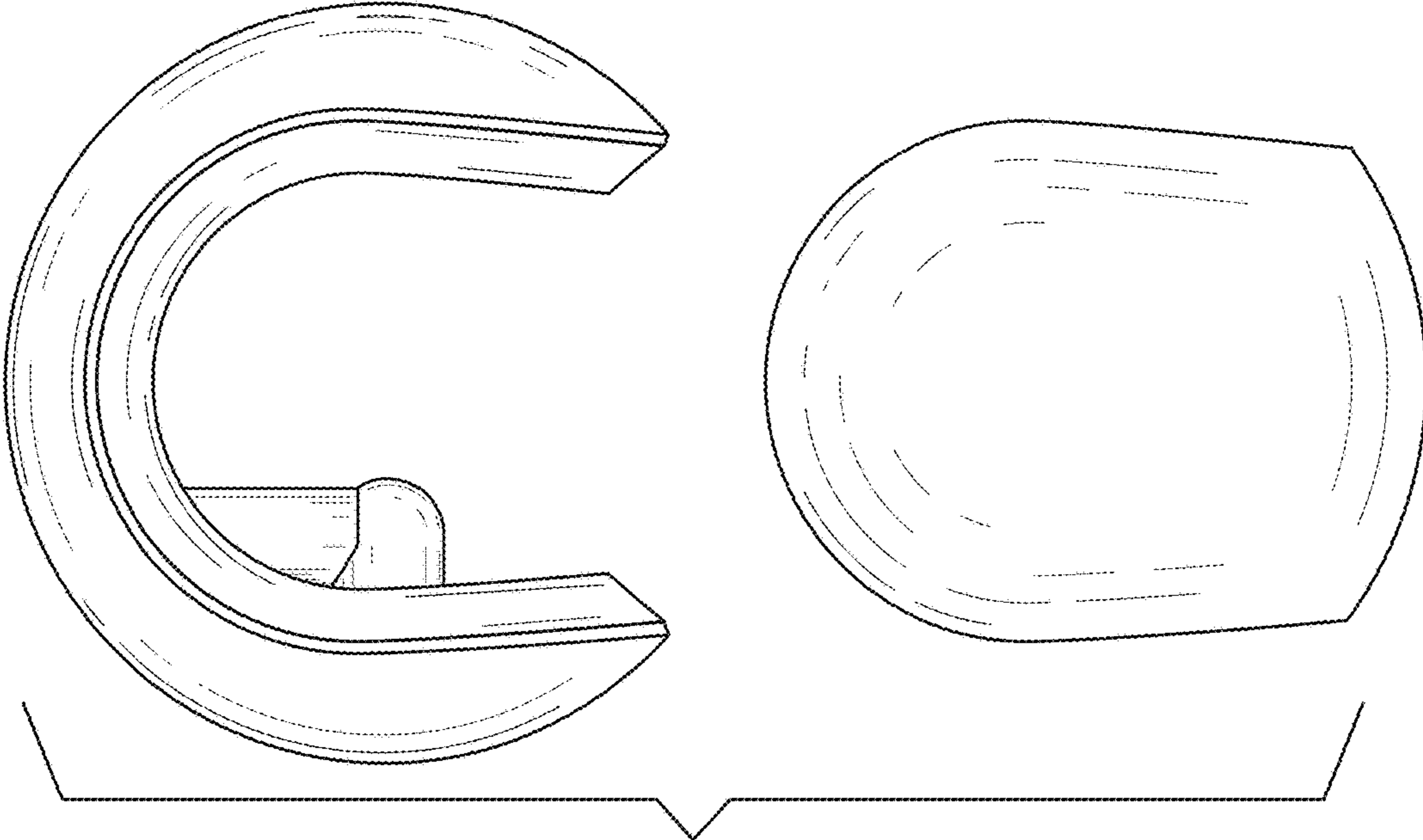


FIG. 2

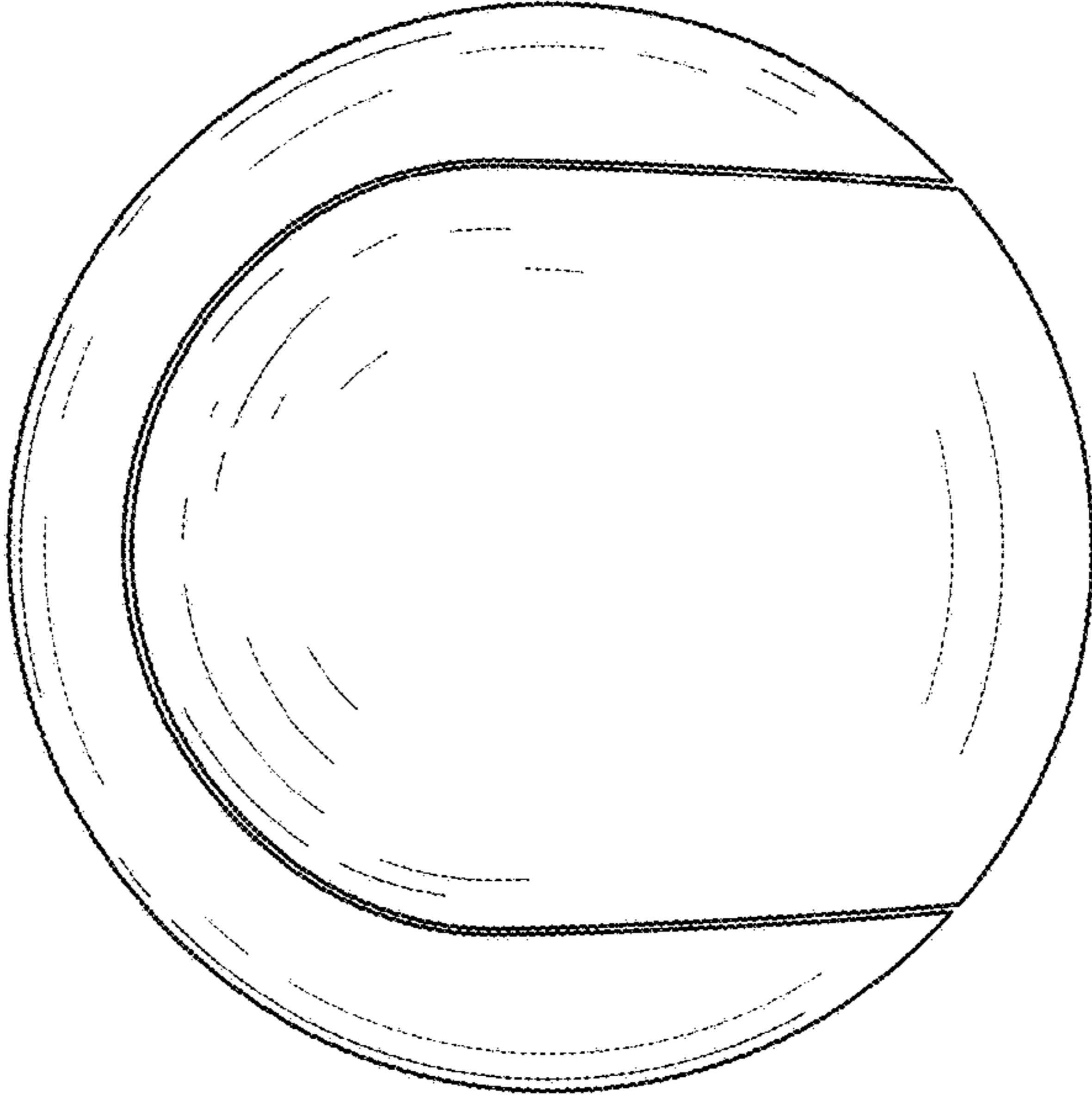


FIG. 3

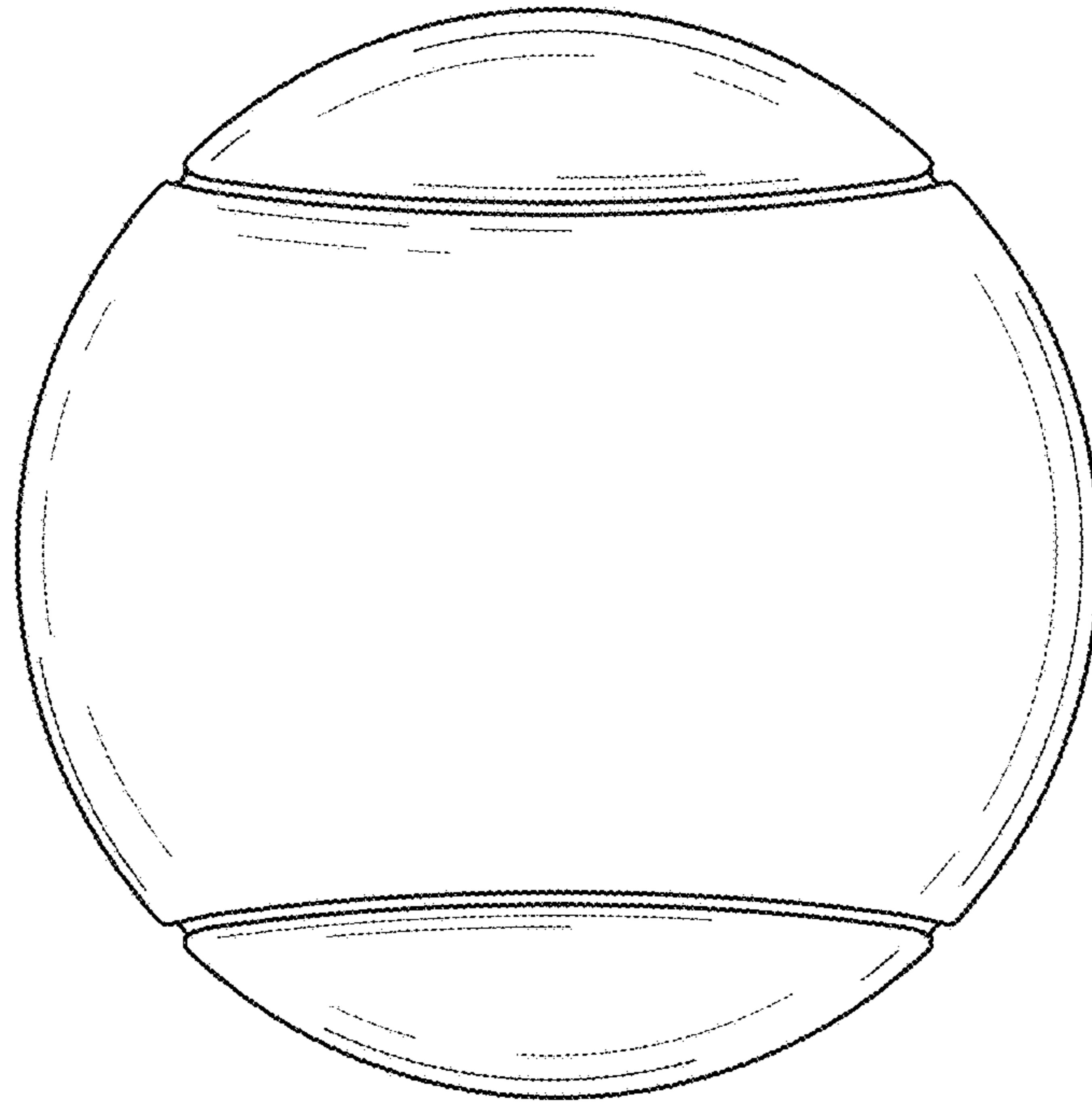


FIG. 4

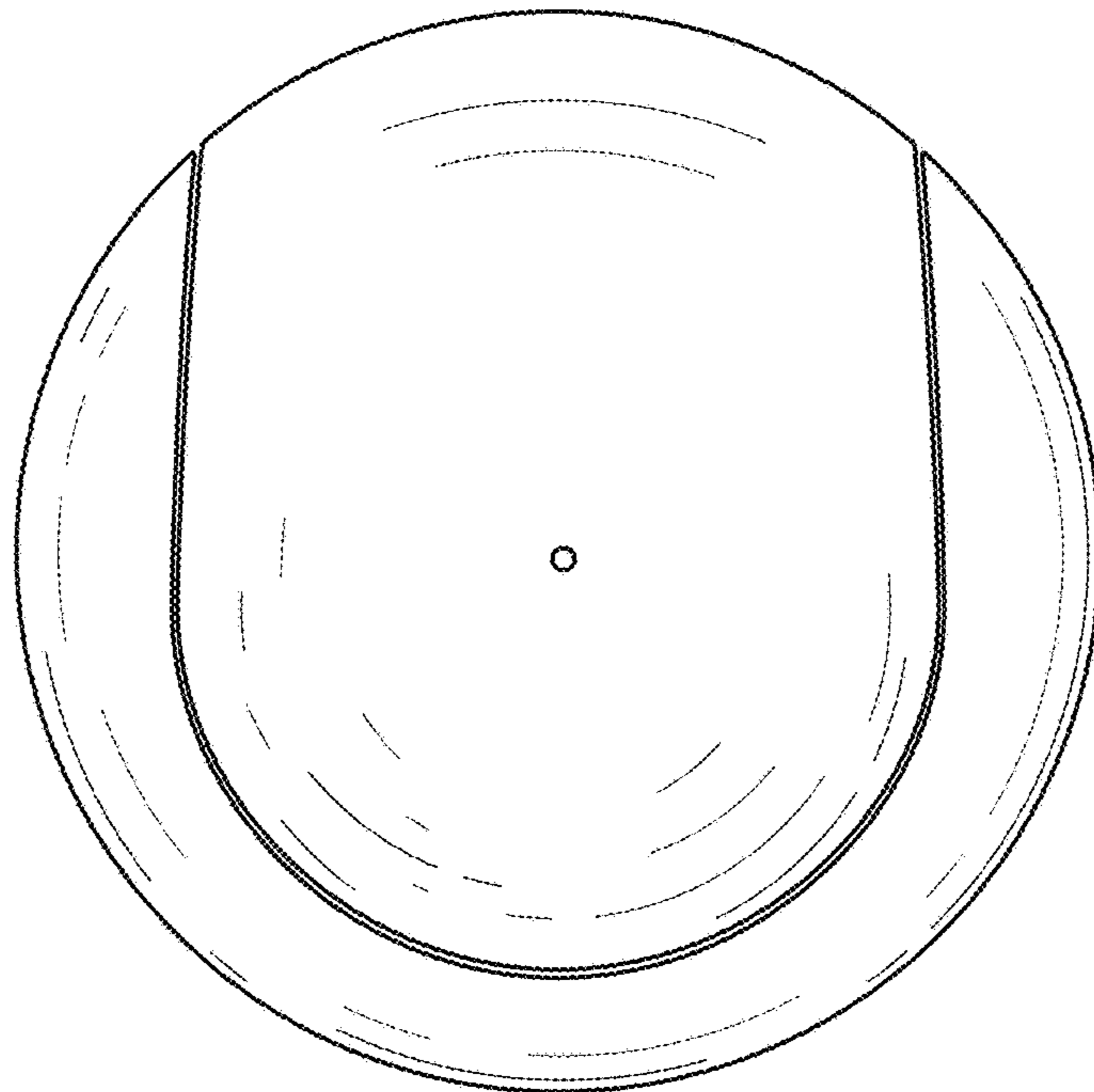


FIG. 5