



US00D845556S

(12) **United States Design Patent** (10) **Patent No.:** **US D845,556 S**
Bock (45) **Date of Patent:** **** Apr. 9, 2019**

(54) **SUPPORT FOR SWINE**
(71) Applicant: **Bock Industries, Inc.**, Philipsburg, PA (US)
(72) Inventor: **Randall Bock**, Phillipsburg, PA (US)
(73) Assignee: **Bock Industries, Inc.**, Philipsburg, PA (US)

5,823,146 A 10/1998 Alaniz et al.
5,842,443 A * 12/1998 Steinfert A01K 1/0613
119/726
7,392,764 B2 * 7/2008 Saavedra A01K 1/0613
119/453
D597,265 S * 7/2009 Simpson D30/160
8,051,807 B2 11/2011 Winders
D653,818 S * 2/2012 Schetlin D30/158
(Continued)

(**) Term: **15 Years**
(21) Appl. No.: **29/568,577**
(22) Filed: **Jun. 20, 2016**
(51) **LOC (11) Cl.** **30-01**
(52) **U.S. Cl.**
USPC **D30/144**
(58) **Field of Classification Search**
USPC D30/144, 151, 158, 199; D24/190;
D22/119
CPC A01K 1/0613
See application file for complete search history.

OTHER PUBLICATIONS

“Bock Industries: Zephyr-EXL Swine Restraint System”. Found online Sep. 4, 2018 at bock-industries.com. Page dated Dec. 31, 2016. Retrieved from <https://web.archive.org/web/20161231004336/http://www.bock-industries.com/zephyr-exl-swine-restraint-new.html>.*

(Continued)

Primary Examiner — George D. Kirschbaum
Assistant Examiner — Kendra Leslie Hamilton
(74) *Attorney, Agent, or Firm* — Dinsmore & Shohl LLP

(56) **References Cited**
U.S. PATENT DOCUMENTS
68,427 A 9/1867 Fenton
833,119 A 10/1906 Buckingham
2,540,650 A * 2/1951 Brosene, Jr. A01K 1/0613
119/751
2,781,740 A 2/1957 Duffy
3,229,667 A 1/1966 Stack
4,070,989 A 1/1978 Ganzel
4,185,591 A 1/1980 Patelis
4,995,335 A * 2/1991 Wright A01K 15/00
119/738
5,009,196 A 4/1991 Young
5,090,368 A 2/1992 Berghoefer
5,210,990 A * 5/1993 Kirk, Jr. E04B 1/26
52/631
D346,466 S * 4/1994 Puntervold, Sr. D30/158
D368,338 S * 3/1996 Levengood 119/850

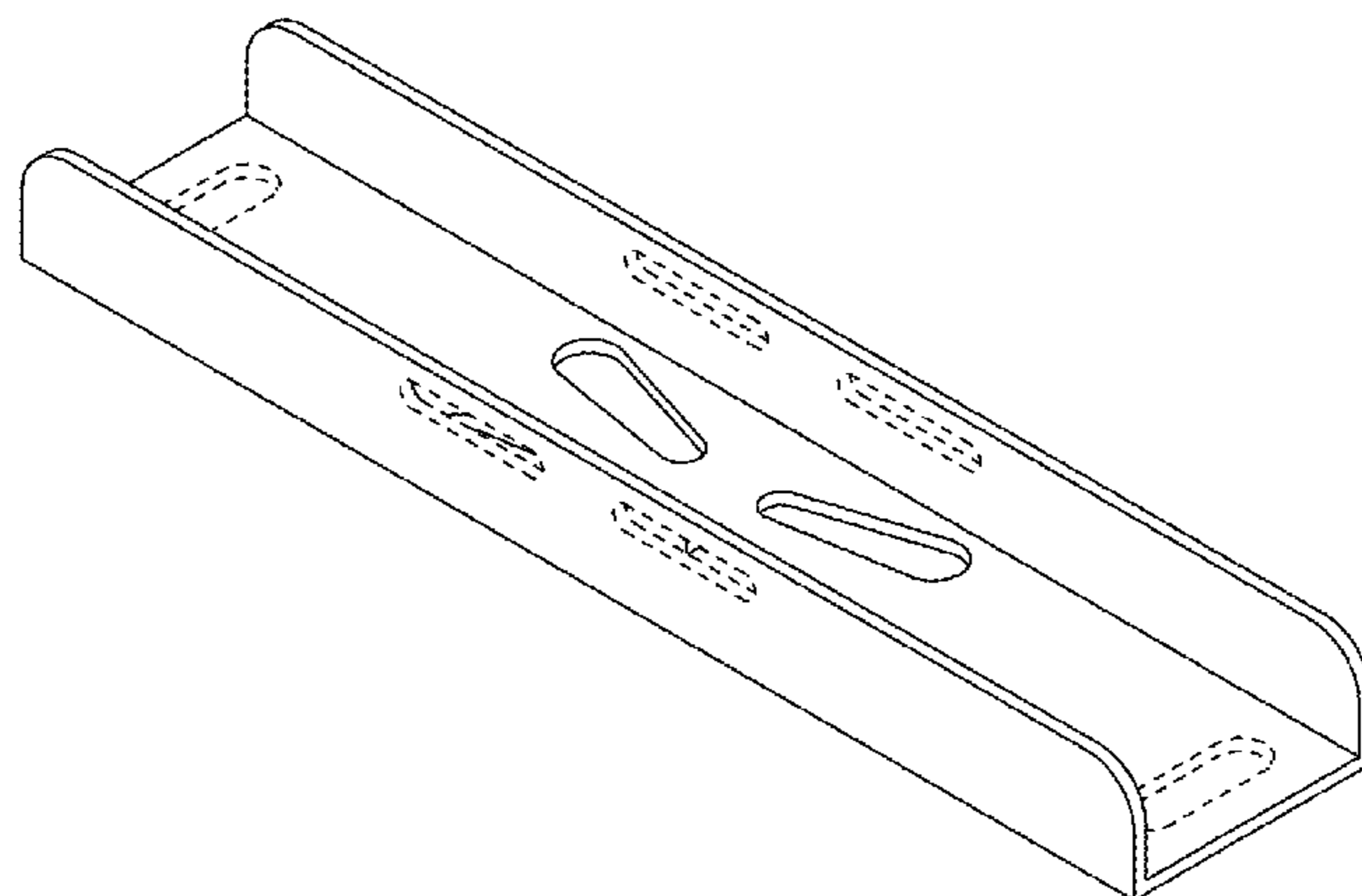
(57) **CLAIM**

The ornamental design for a support for swine, as shown and described.

DESCRIPTION

FIG. 1 is a top, front, right perspective view of a support for swine, showing my new design;
FIG. 2 is a bottom, rear, right perspective view thereof;
FIG. 3 is a top plan view thereof;
FIG. 4 is a left side elevation view thereof, the right side elevation view being identical thereof;
FIG. 5 is a bottom plan view thereof;
FIG. 6 is a front elevation view thereof; and,
FIG. 7 is a rear elevation view thereof.
The broken lines shown in the drawings depict portions of the support for swine that form no part of the claimed design.

1 Claim, 7 Drawing Sheets



(56)

References Cited

U.S. PATENT DOCUMENTS

8,474,412 B1 * 7/2013 Walden A01K 1/0263
119/725
D749,275 S * 2/2016 Perkins D30/151
9,538,723 B2 * 1/2017 Simons A01K 1/0613
D802,080 S * 11/2017 Lo D22/119

OTHER PUBLICATIONS

“Alternative Euthanasia Methods to Manually Applied Blunt Force Trauma for Piglets”. Found online Sep. 4, 2018 at thepigsite.com. Page dated Dec. 17, 2014. Retrieved from <http://www.thepigsite.com/articles/4917/alternative-euthanasia-methods-to-manually-applied-blunt-force-trauma-for-piglets/>. Refer to p. 5 for image.*

“Example Swine Restraint”. Found online Sep. 4, 2018 at tedstunner.com. Page dated 2013. Retrieved from http://www.tedstunner.com/uploads/6/9/7/9/6979786/zephyr-e_swine_manual_v4.pdf.*

“A Perspective of Stockpersons and the Humane Euthanasia of Swine”. Found online Sep. 4, 2018 at thepigsite.com. Page dated Jul. 3, 2015. Retrieved from <http://www.thepigsite.com/articles/5093/a-perspective-of-stockpersons-and-the-humane-euthanasia-of-swine/>. Refer to p. 3 for image.*

* cited by examiner

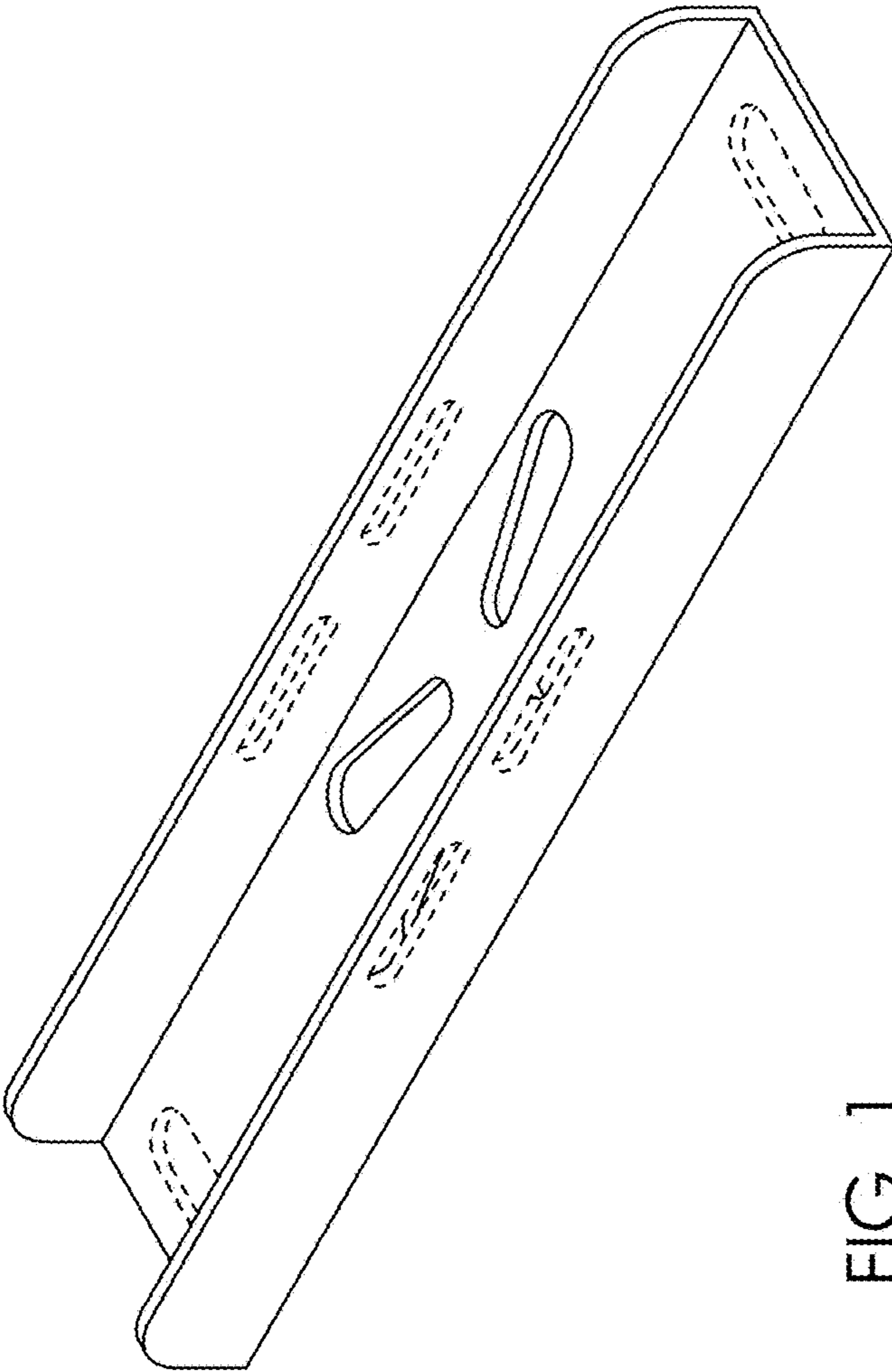


FIG. 1

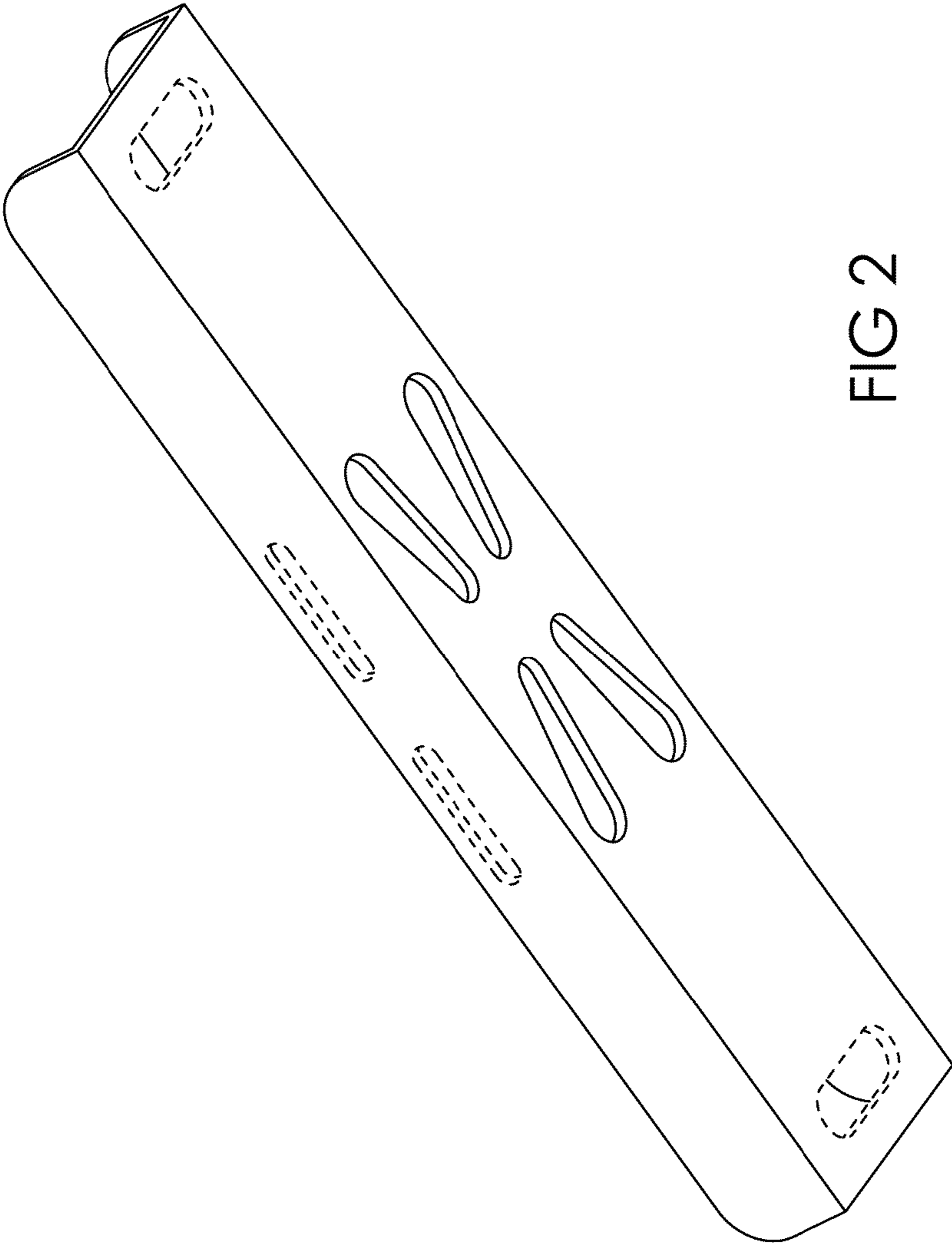


FIG 2

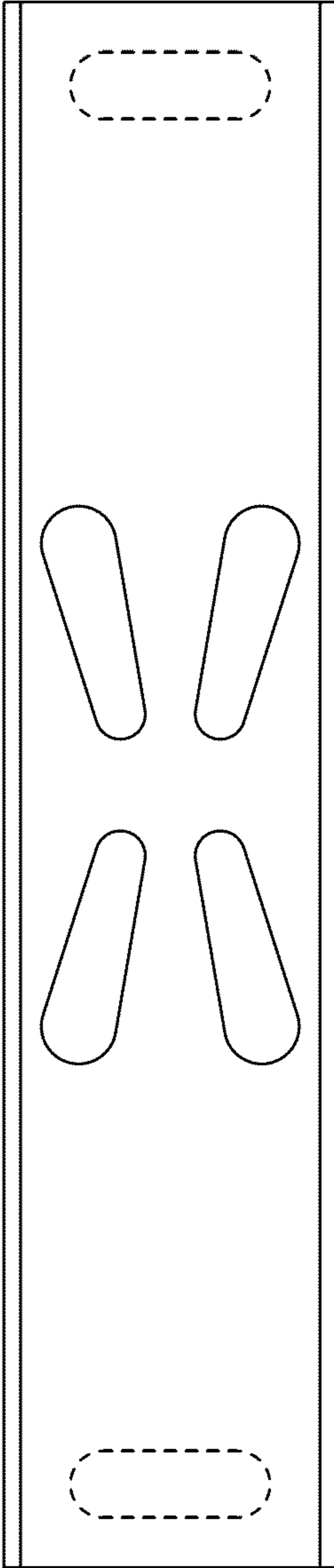


FIG. 3

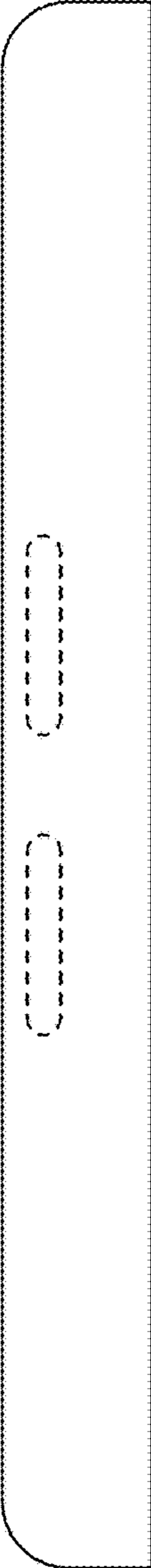


FIG. 4

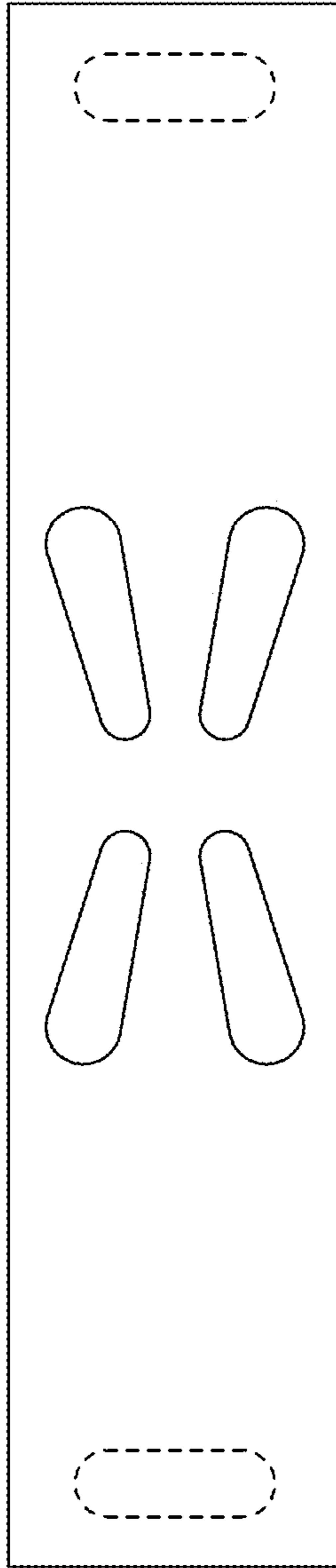


FIG. 5

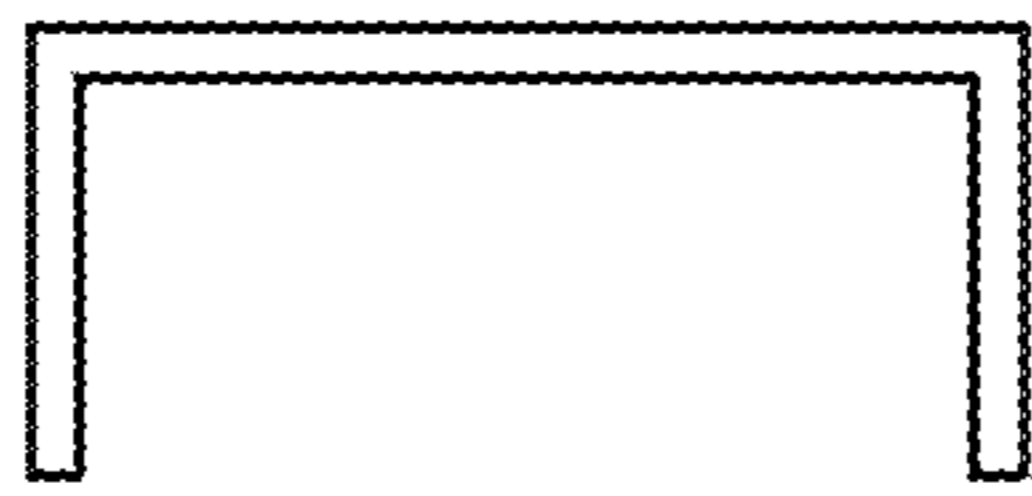


FIG. 6



FIG. 7