

US00D84555S

(12) **United States Design Patent** (10) **Patent No.:** **US D845,555 S**
Li (45) **Date of Patent:** **** Apr. 9, 2019**

(54) **AUTOMATIC PET FEEDER**
(71) Applicant: **Guangdong Cuter Pet Technology Co., Ltd.**, Guangdong (CN)
(72) Inventor: **Jiyang Li**, Guangdong (CN)
(73) Assignee: **Guangdong Cuter Pet Technology Co., Ltd.**, Guangdong (CN)
(**) Term: **15 Years**
(21) Appl. No.: **29/606,454**
(22) Filed: **Jun. 5, 2017**
(51) **LOC (11) Cl.** **30-03**
(52) **U.S. Cl.**
USPC **D30/122; D30/121**
(58) **Field of Classification Search**
USPC D30/199, 160, 155, 118, 121, 122, D30/128-133; D5/65, 99; D10/104; D13/168; D11/127, 121, 125; 119/61.5, 119/51.01, 61.56, 51.03, 59, 62, 63, 51.5, 119/57.8, 74, 61.54, 61.55, 53, 53.5, 75, 119/51.02, 52.3, 57.9, 77, 707, 710, 711, 119/702; D23/201, 213-216, 220-222, D23/225, 227-229, 234, 356, 360, 362, D23/366, 367; 446/46, 48, 87, 94, 102, 446/168, 219, 225, 227, 256, 76, 489, 446/175, 484, 230, 231, 267, 397, 429, 446/476, 483, 491; 239/211, 247, 279, 239/280, 536, 580; 222/485; 434/259; 273/147; D21/300, 322, 340, 341, 342, D21/347, 352, 362, 363, 367, 369, 380, D21/430, 431, 406, 532, 436, 437, 441, D21/443, 447, 451, 452, 453, 454, 455, D21/478, 479, 813
CPC A01K 15/025; A01K 15/06; A01K 5/0114; A01K 5/00; A01K 5/0275; A01K 5/0233; A01K 5/0291; A01K 5/0225; A01K 5/025; A01K 5/0142; A01K 5/02
See application file for complete search history.

(56) **References Cited**
U.S. PATENT DOCUMENTS
1,289,681 A * 12/1918 Curtis A63F 7/044
273/116
3,050,029 A * 8/1962 Appleton A01K 61/85
119/51.13
D236,012 S * 7/1975 Crawford et al. D30/122
4,089,414 A * 5/1978 Sandor G11B 23/0325
206/303
4,248,175 A * 2/1981 Navarro A01K 5/0291
119/51.12
4,249,483 A * 2/1981 Sobky A01K 5/0291
119/51.12
4,261,468 A * 4/1981 Krebs B65D 83/0454
206/538
4,421,059 A * 12/1983 Cousino A01K 5/0291
119/51.12

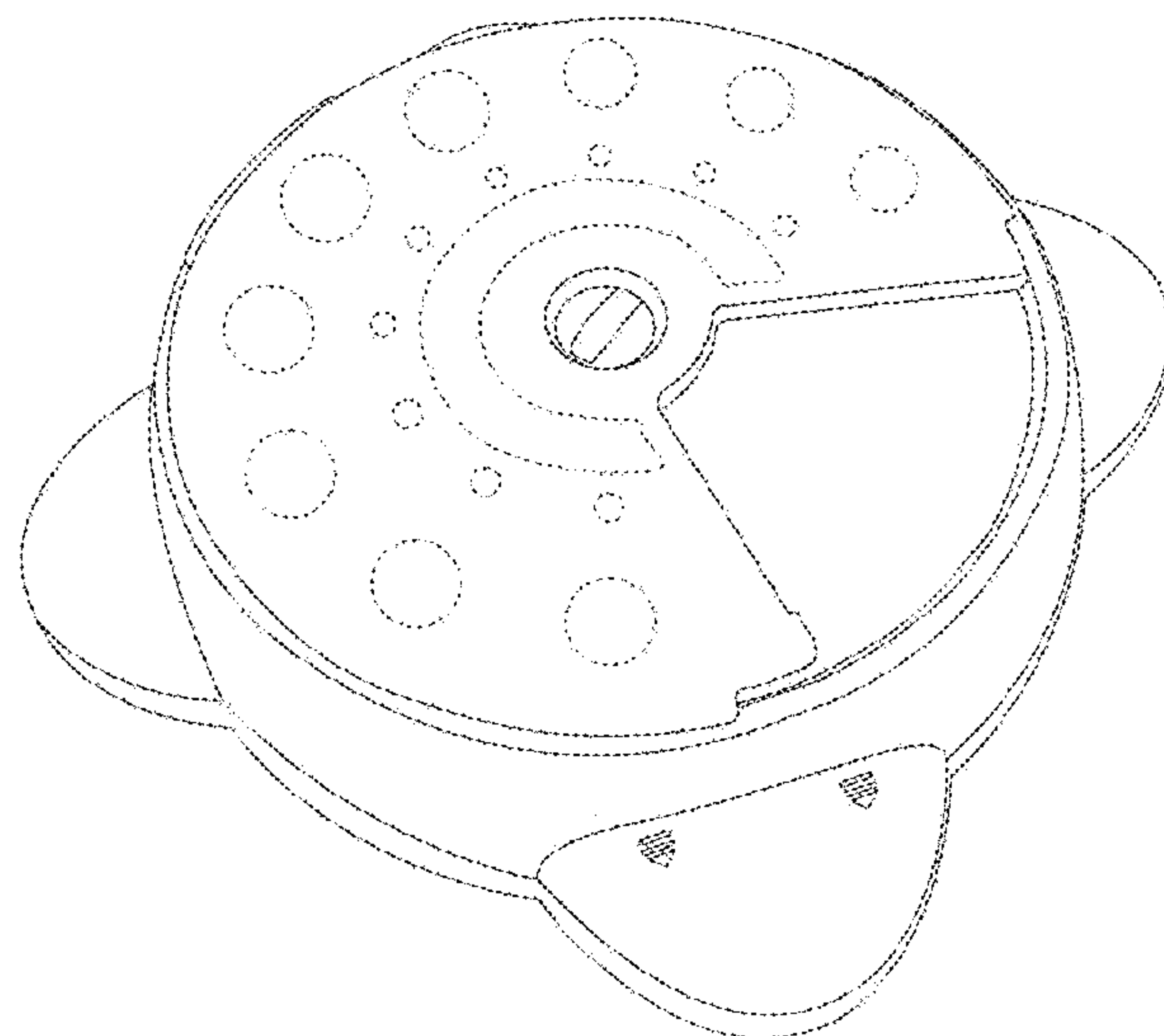
(Continued)

Primary Examiner — Susan Moon Lee
(74) *Attorney, Agent, or Firm* — Muncy, Geissler, Olds & Lowe, P.C.

(57) **CLAIM**
The ornamental design for an automatic pet feeder, as shown and described.

DESCRIPTION
FIG. 1 is a front elevational view of an automatic pet feeder, according to my new design;
FIG. 2 is a rear elevational view thereof;
FIG. 3 is a left side view thereof;
FIG. 4 is a right side view thereof;
FIG. 5 is a top plan view thereof;
FIG. 6 is a bottom plan view thereof; and,
FIG. 7 is a perspective view thereof;
The broken lines depict unclaimed features of the automatic pet feeder, shown for purposes of illustration, and form no part of the design claim.

1 Claim, 7 Drawing Sheets



(56)

References Cited

U.S. PATENT DOCUMENTS

4,450,790 A * 5/1984 Stansbury, Jr. A01K 5/0291
119/51.12
4,501,229 A * 2/1985 Williamson A01K 5/0291
119/51.12
4,617,874 A * 10/1986 Zammarano A01K 5/0291
119/51.12
4,671,210 A * 6/1987 Robinson A01K 5/0291
119/51.12
4,805,560 A * 2/1989 Knego A01K 5/0291
119/51.12
4,981,106 A * 1/1991 Nagatomo A01K 5/0275
119/51.11
D317,666 S * 6/1991 Haynes D30/131
D323,411 S * 1/1992 Oathout 119/62
5,150,664 A * 9/1992 Kirk A01K 5/0291
119/51.12
5,176,103 A * 1/1993 Reid A01K 5/0291
119/51.13
D335,370 S * 5/1993 Kirk D30/122
5,222,461 A * 6/1993 Haynes A01K 5/0233
119/51.12
D339,429 S * 9/1993 Reid D30/121
5,377,620 A * 1/1995 Phillippi A01K 5/0291
119/51.12
5,925,390 A * 7/1999 Kornacki A01K 5/0114
119/51.5
5,975,024 A * 11/1999 Sheaffer A01K 1/031
119/464
6,349,671 B1 * 2/2002 Lewis A01K 5/0291
119/51.02
D488,533 S * 4/2004 Wang D23/214
D490,577 S * 5/2004 Steinbacher D1/121
D554,936 S * 11/2007 Kim D7/357
D560,739 S * 1/2008 Bernatz D21/794
D618,860 S * 6/2010 Friedland D30/129
D629,120 S * 12/2010 Lafond D24/224
D633,661 S * 3/2011 Kellogg D30/160
D642,336 S * 7/2011 Desrosiers D30/122
D652,181 S * 1/2012 Lee D30/160
D665,953 S * 8/2012 Leary A01K 13/001
D30/158
8,347,817 B1 * 1/2013 Miller A01K 5/0291
119/54
D676,203 S * 2/2013 Hansen D30/121
D676,619 S * 2/2013 Hansen D30/121
D677,128 S * 3/2013 Roesser D7/625

8,397,674 B2 * 3/2013 Lipscomb A01K 5/0142
119/54
D681,886 S * 5/2013 Paschall D30/129
8,631,763 B2 * 1/2014 Lipscomb A01K 5/0142
119/54
D700,407 S * 2/2014 Paschall D30/129
8,857,209 B2 * 10/2014 Wang A47G 19/26
220/23.9
D739,175 S * 9/2015 Renforth D30/129
D758,674 S * 6/2016 Youn D30/129
D773,127 S * 11/2016 Oates D30/129
D775,769 S * 1/2017 Trottier D30/122
9,560,834 B2 * 2/2017 Ma A01K 5/0225
D814,127 S * 3/2018 Bae D30/199
2004/0134434 A1 * 7/2004 Kraft A01K 5/0114
119/51.01
2005/0066905 A1 * 3/2005 Morosin A01K 5/0291
119/51.02
2006/0219187 A1 * 10/2006 Krishnamurthy A01K 5/0275
119/719
2007/0068464 A1 * 3/2007 Smith A01K 15/025
119/709
2007/0151010 A1 * 7/2007 Ellerbe A01K 5/0135
4/300.3
2008/0105205 A1 * 5/2008 Goehring A01K 5/0114
119/51.02
2008/0282988 A1 * 11/2008 Bloksberg A01K 5/02
119/51.02
2008/0289580 A1 * 11/2008 Krishnamurthy A01K 5/0291
119/51.11
2008/0314326 A1 * 12/2008 Albert A01K 5/0114
119/61.56
2010/0064975 A1 * 3/2010 McElroy, Jr. A01K 1/0107
119/61.55
2012/0060761 A1 * 3/2012 Laro A01K 5/02
119/51.11
2012/0204799 A1 * 8/2012 Desrosiers A01K 5/0114
119/61.54
2012/0285385 A1 * 11/2012 Arthur A01K 5/0114
119/51.11
2013/0025543 A1 * 1/2013 Ottosson A01K 15/025
119/707
2014/0090601 A1 * 4/2014 Stone A01K 5/0114
119/51.01
2014/0290582 A1 * 10/2014 Crumlin A01K 15/025
119/51.01
2016/0007565 A1 * 1/2016 Trottier A01K 5/02
119/51.02

* cited by examiner

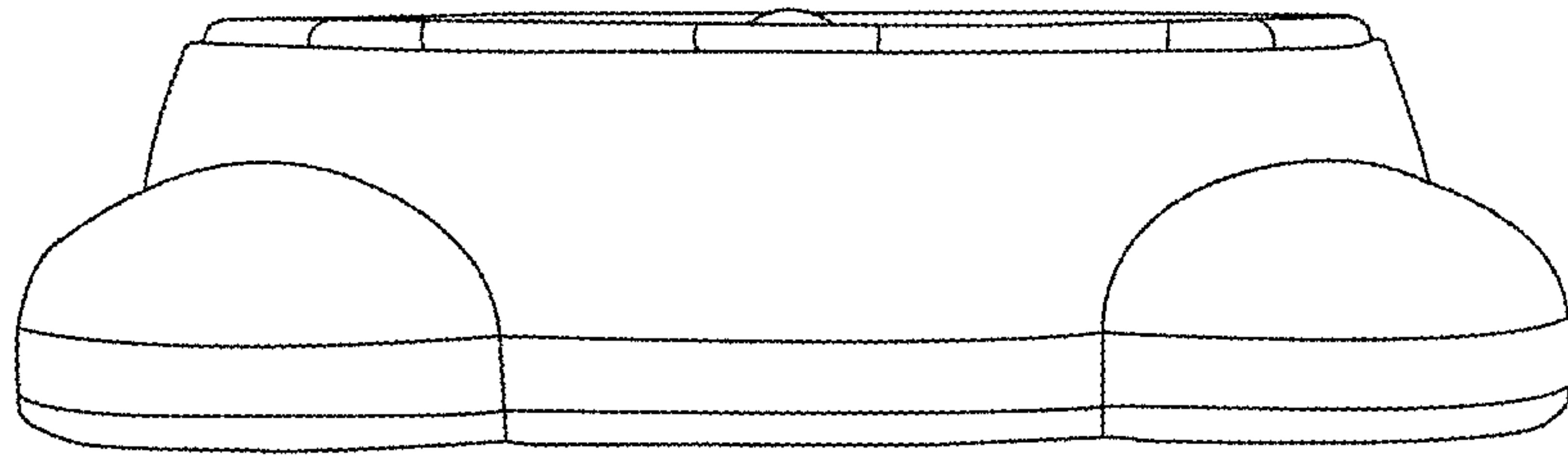


FIG. 1

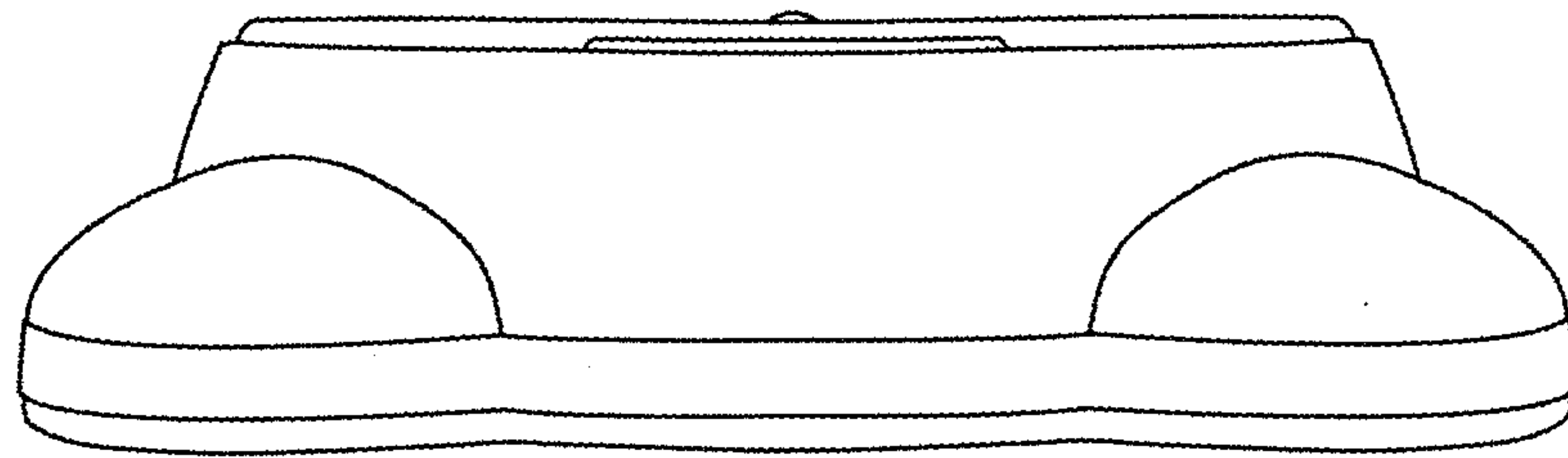


FIG. 2

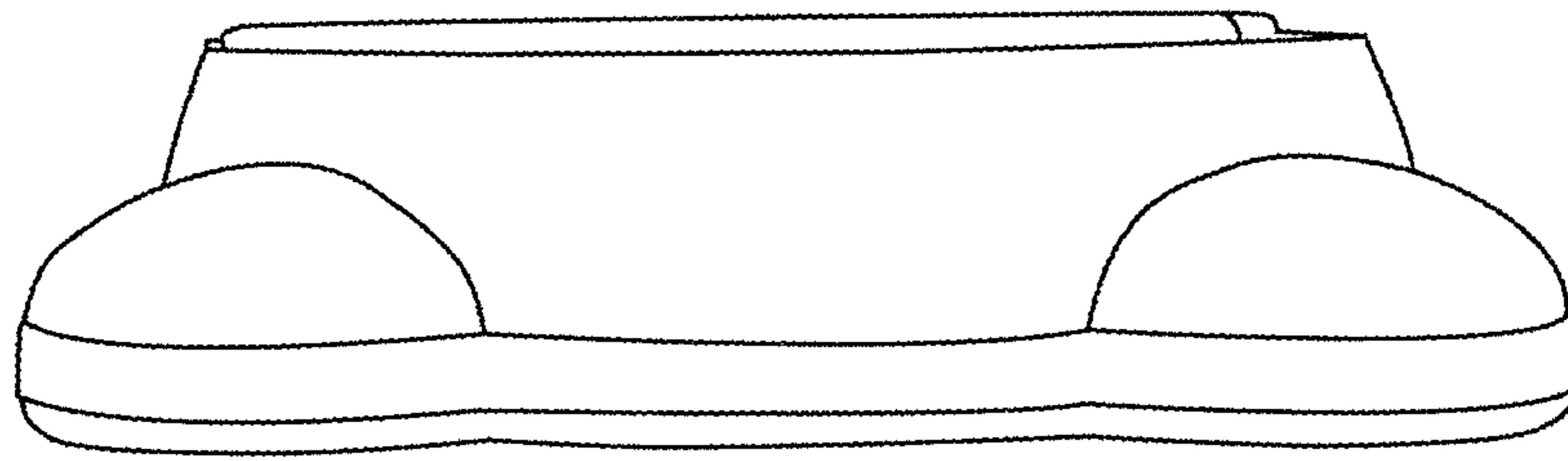


FIG. 3

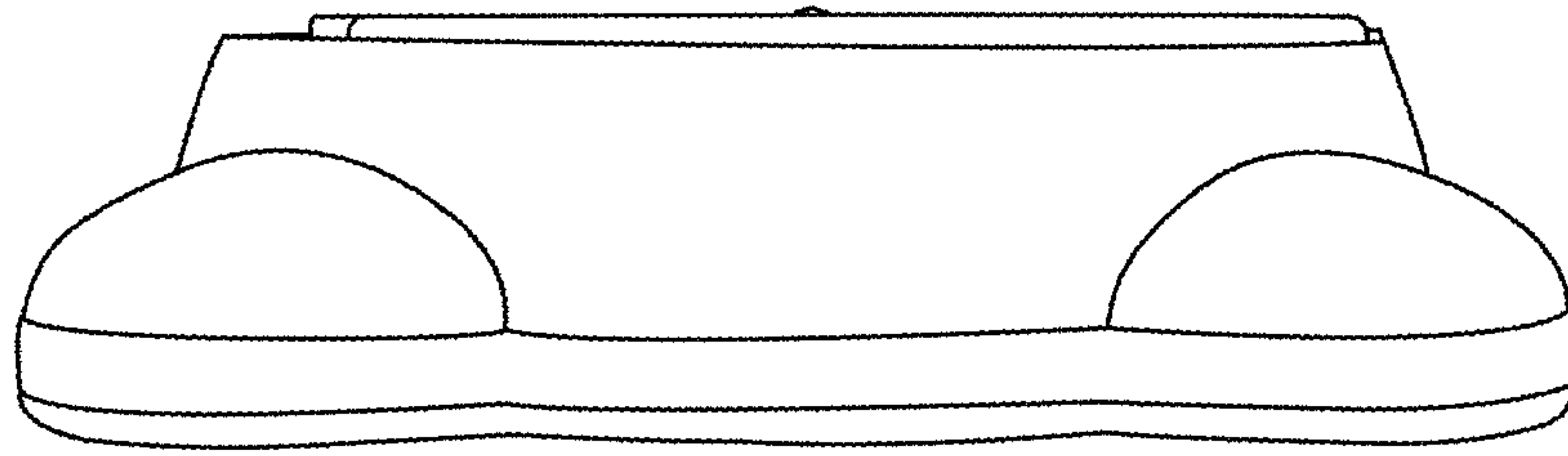


FIG. 4

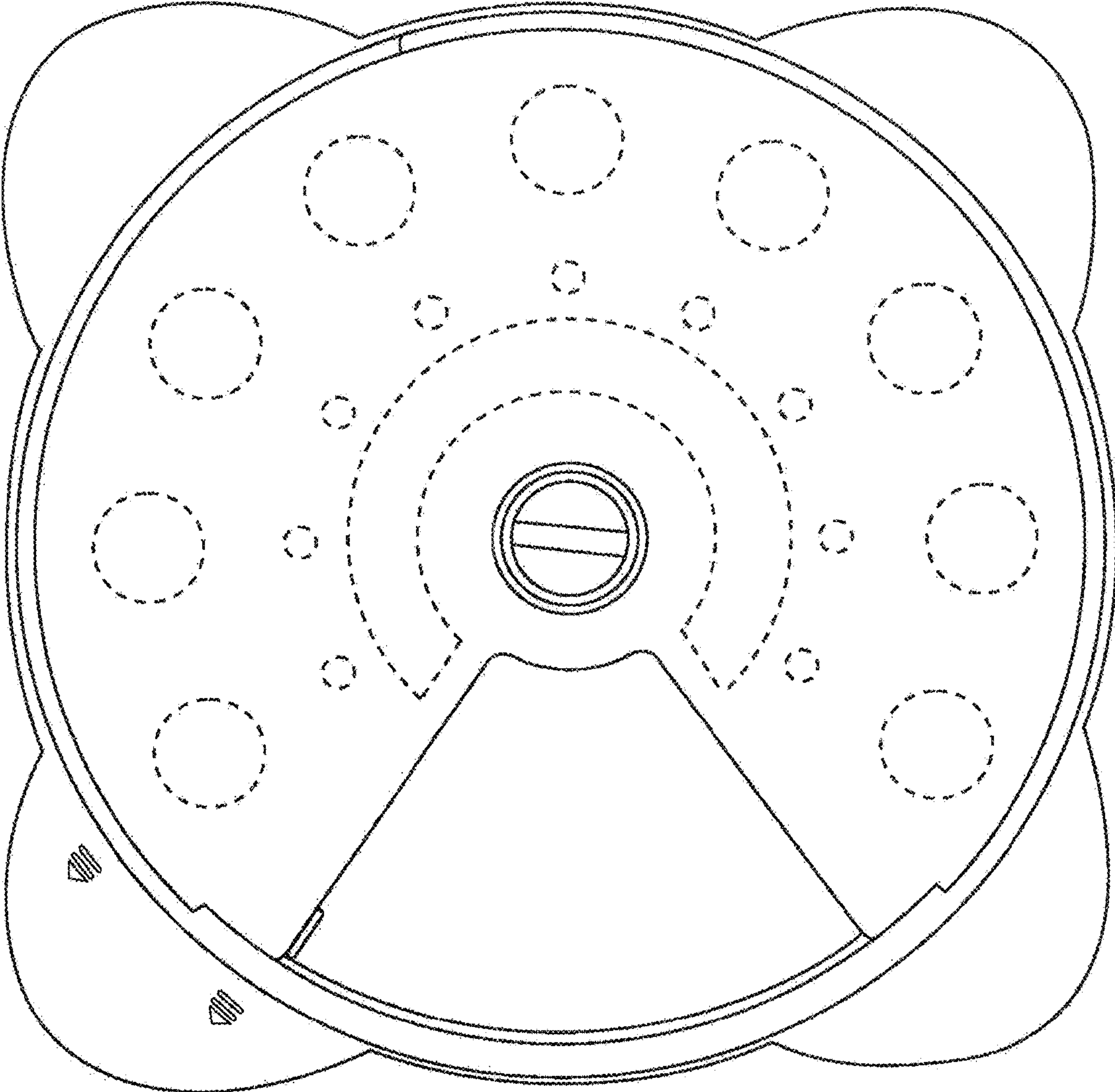


Fig. 5

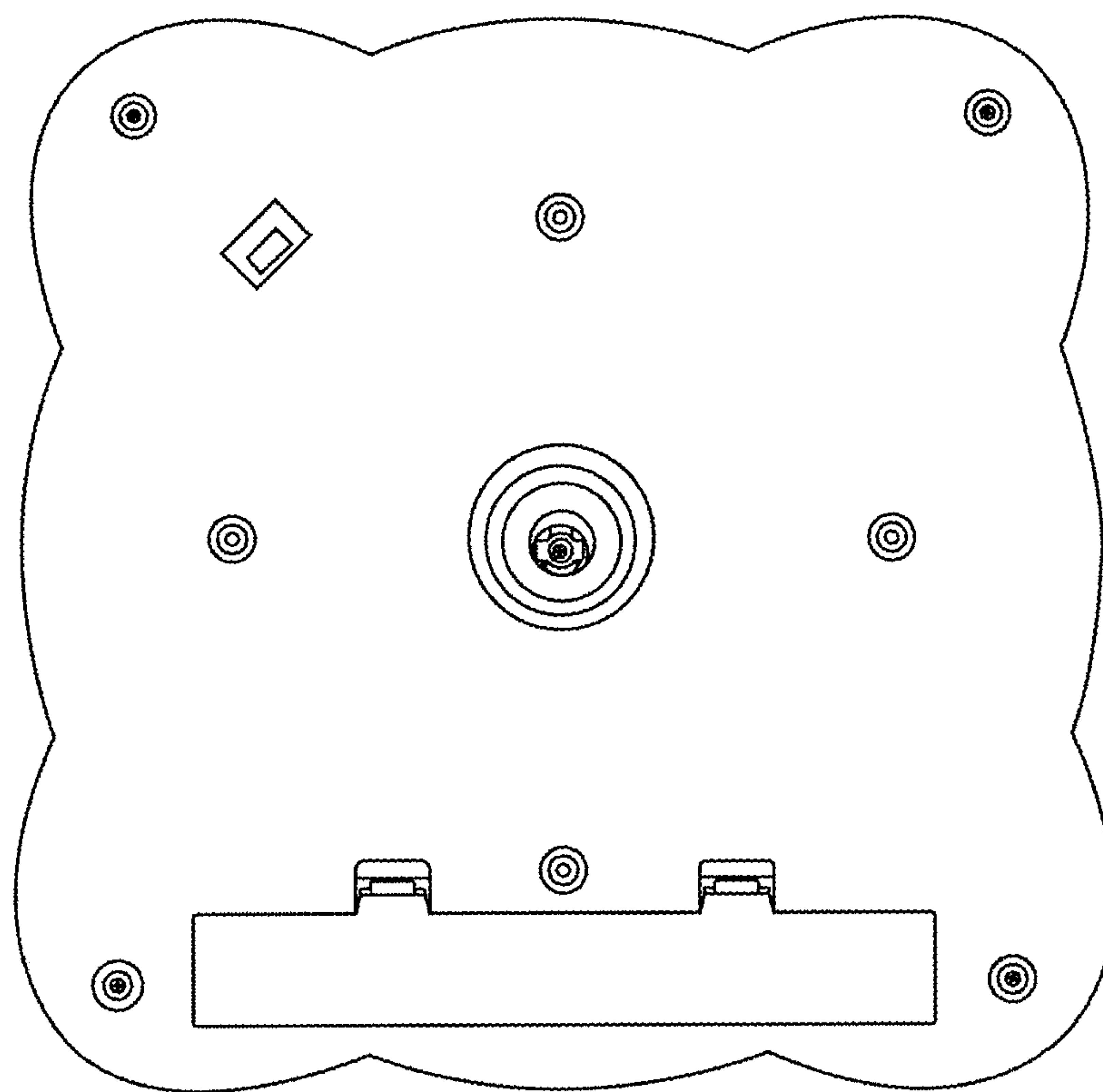


FIG. 6

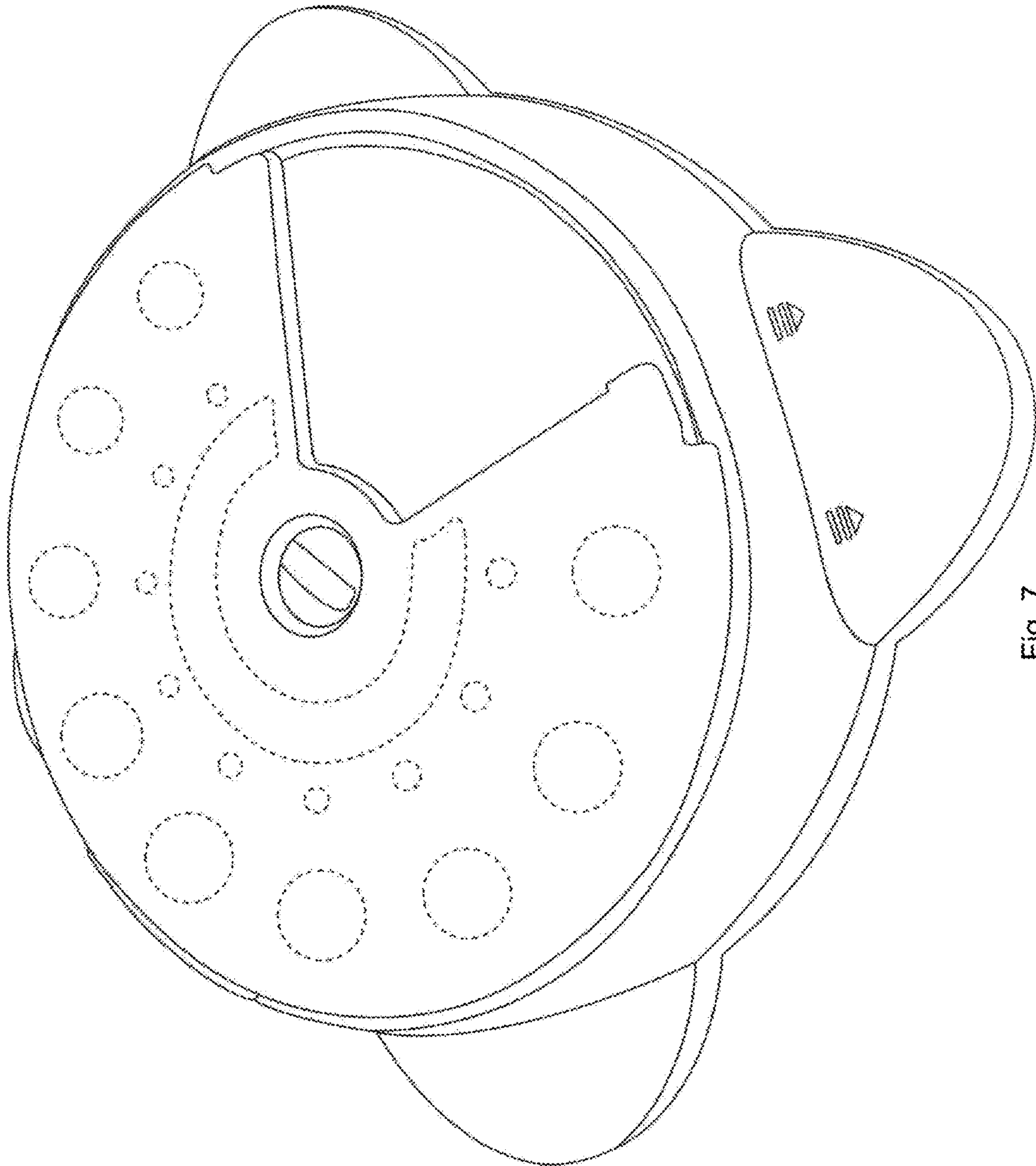


Fig. 7