



US00D845554S

(12) **United States Design Patent**
Lanzkowsky

(10) **Patent No.:** **US D845,554 S**

(45) **Date of Patent:** **** Apr. 9, 2019**

(54) **SMALL ANIMAL CARRIER**

(71) Applicant: **Shelley Lanzkowsky**, Las Vegas, NV
(US)

(72) Inventor: **Shelley Lanzkowsky**, Las Vegas, NV
(US)

(**) Term: **15 Years**

(21) Appl. No.: **29/619,943**

(22) Filed: **Oct. 3, 2017**

(51) **LOC (11) Cl.** **30-02**

(52) **U.S. Cl.**
USPC **D30/109**

(58) **Field of Classification Search**
USPC D3/276, 289, 301; D30/108-109, 114;
D34/19-21; 119/453, 482, 496-497
CPC . A01K 1/00; A01K 1/03; A01K 1/033; A01K
1/0245; A01K 1/0254; A01K 29/00;
A01K 31/002; A01K 31/08; A01K 31/18
See application file for complete search history.

(56) **References Cited**

U.S. PATENT DOCUMENTS

RE25,826 E *	8/1965	Ward	A45C	7/0063
					190/108
5,170,745 A *	12/1992	Burdette, Jr.	A01K	1/0254
					119/497
D387,508 S *	12/1997	Van Engers	D30/109	
5,967,090 A *	10/1999	Hui	A01K	1/0245
					119/453
6,076,485 A *	6/2000	Peeples	A01K	1/0254
					119/496
D465,924 S *	11/2002	Gisser	D3/276	
D523,995 S *	6/2006	Knittle	D30/109	
D524,995 S *	7/2006	Dudas	D30/109	
7,617,917 B2 *	11/2009	Hai	A01K	1/0254
					119/487
D649,719 S *	11/2011	Siklosi	D30/109	
D717,502 S *	11/2014	Dixon	D30/109	
D804,738 S *	12/2017	Nourollah	D30/109	

D808,084 S *	1/2018	Lu	D30/109	
2003/0127060 A1 *	7/2003	Yeung	A01K	1/0254
					119/497
2010/0000472 A1 *	1/2010	Siklosi	A01K	1/0254
					119/497

* cited by examiner

Primary Examiner — Janice Hallmark

(74) *Attorney, Agent, or Firm* — Newman Law, LLC

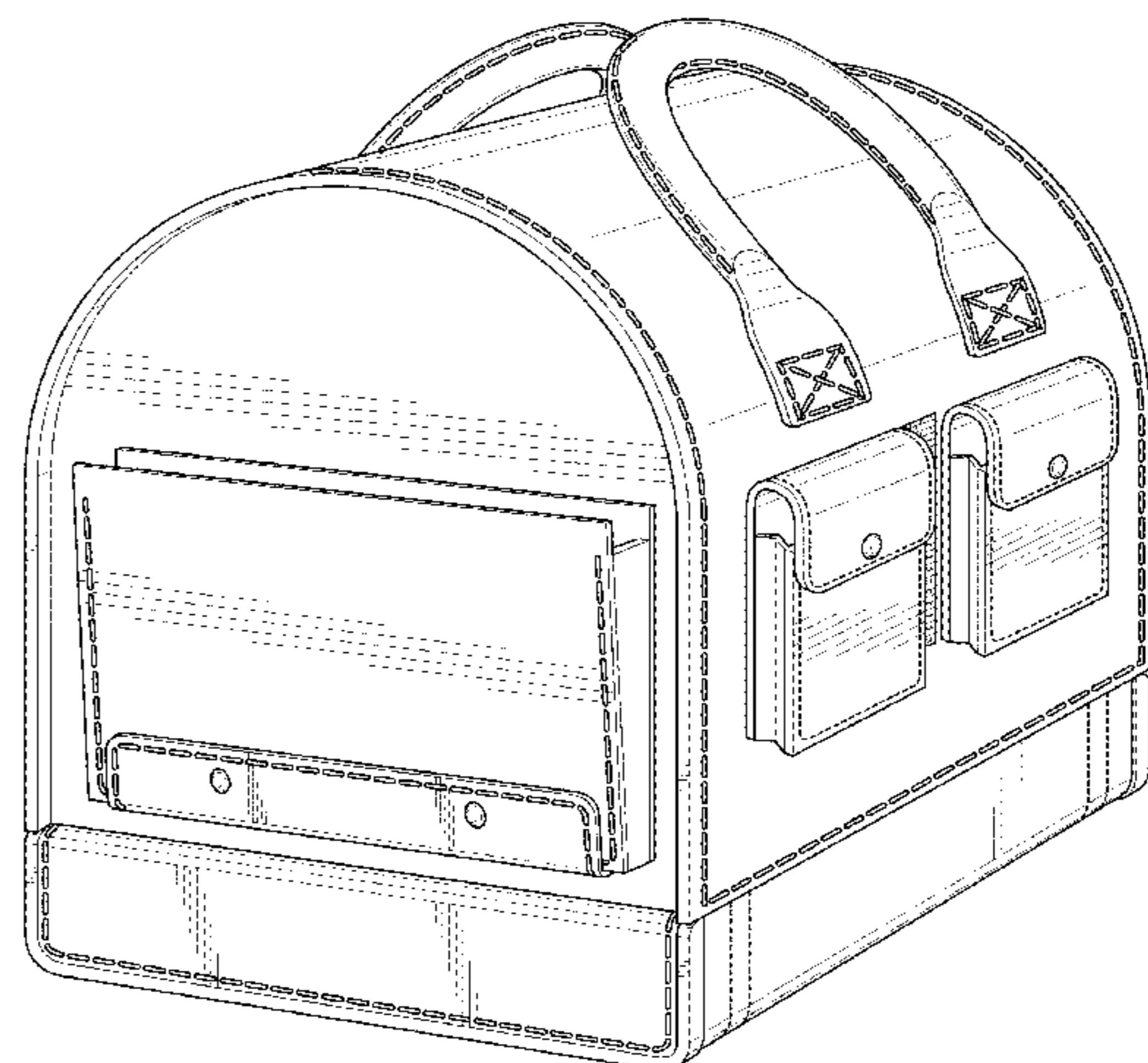
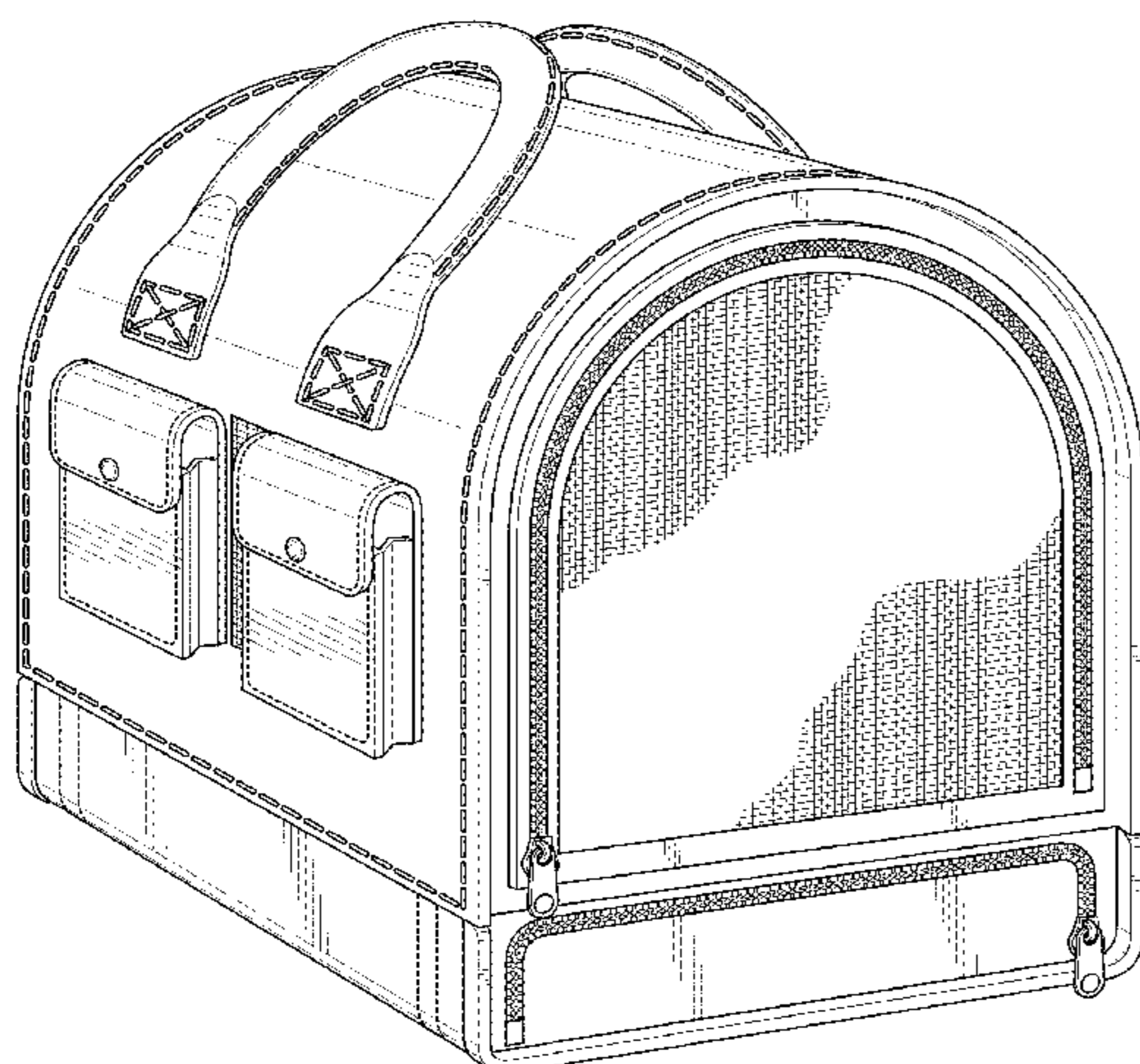
(57) **CLAIM**

The ornamental design for a small animal carrier, as shown and described herein.

DESCRIPTION

FIG. 1 is a right side perspective view of the small animal carrier showing my new design;
 FIG. 2 is a left side perspective view of the small animal carrier shown in FIG. 1;
 FIG. 3 is a front view of the small animal carrier shown in FIG. 1;
 FIG. 4 is a right side view of the small animal carrier shown in FIG. 1;
 FIG. 5 is a left side view of the small animal carrier shown in FIG. 1;
 FIG. 6 is a rear view of the small animal carrier shown in FIG. 1;
 FIG. 7 is a top view the small animal carrier shown in FIG. 1; and,
 FIG. 8 is a bottom view of the small animal carrier shown in FIG. 1.
 The large lines represent stitching included in the claimed design. The small dash-dash broken lines shown in FIGS. 1-3 and FIGS. 6-8, illustrate stitching that forms no part of the claimed design.

1 Claim, 8 Drawing Sheets



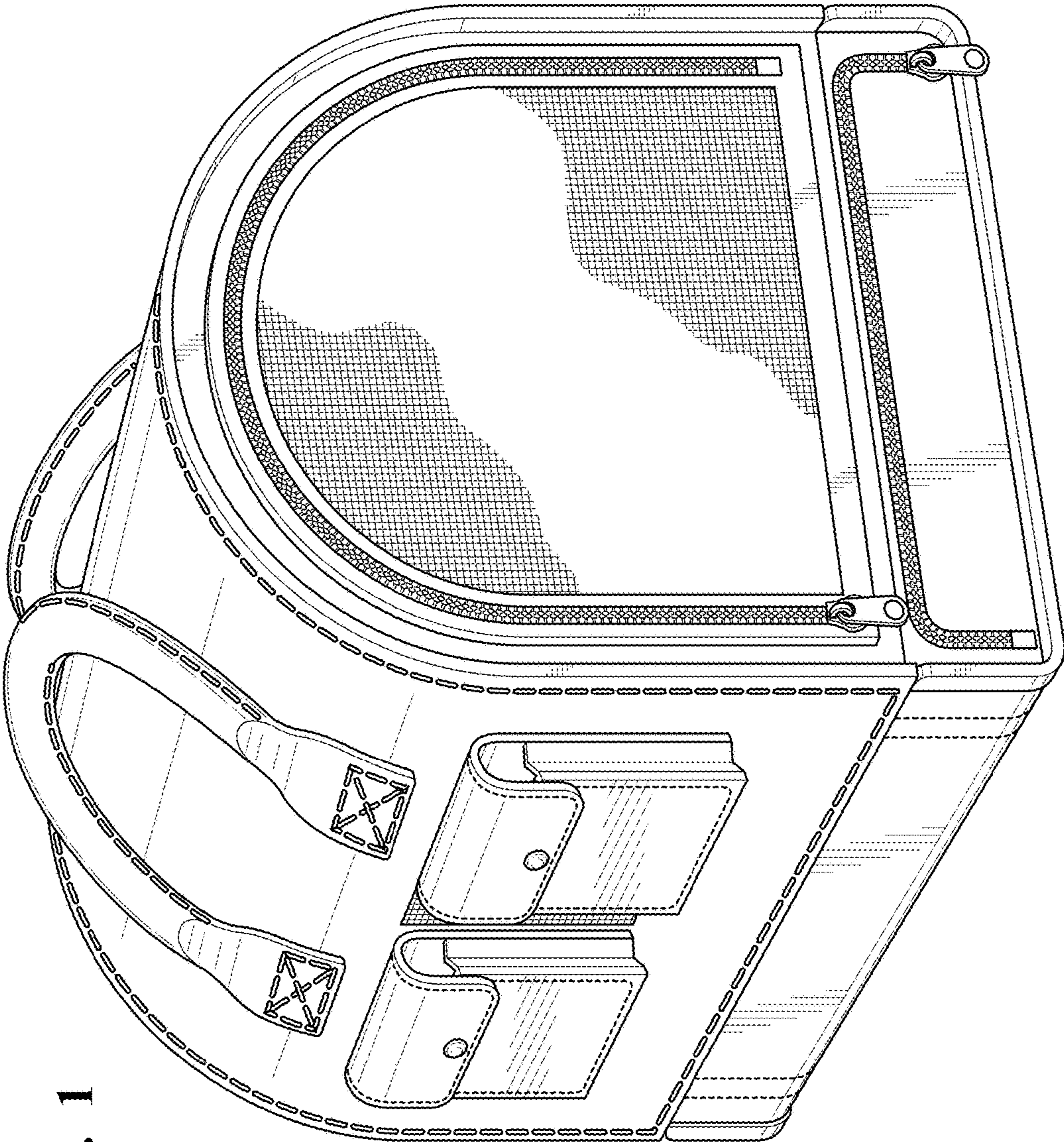


FIG. 1

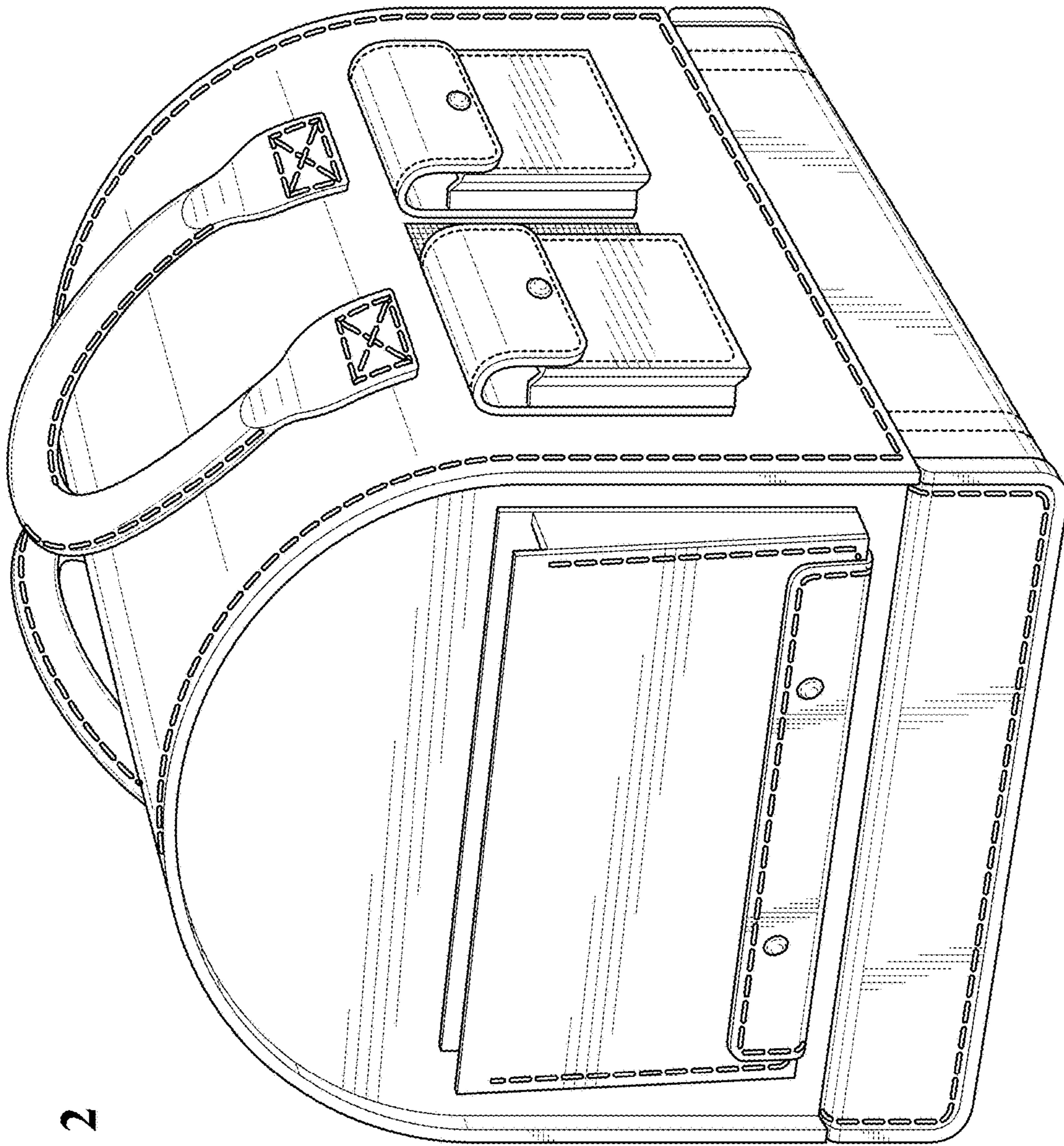


FIG. 2

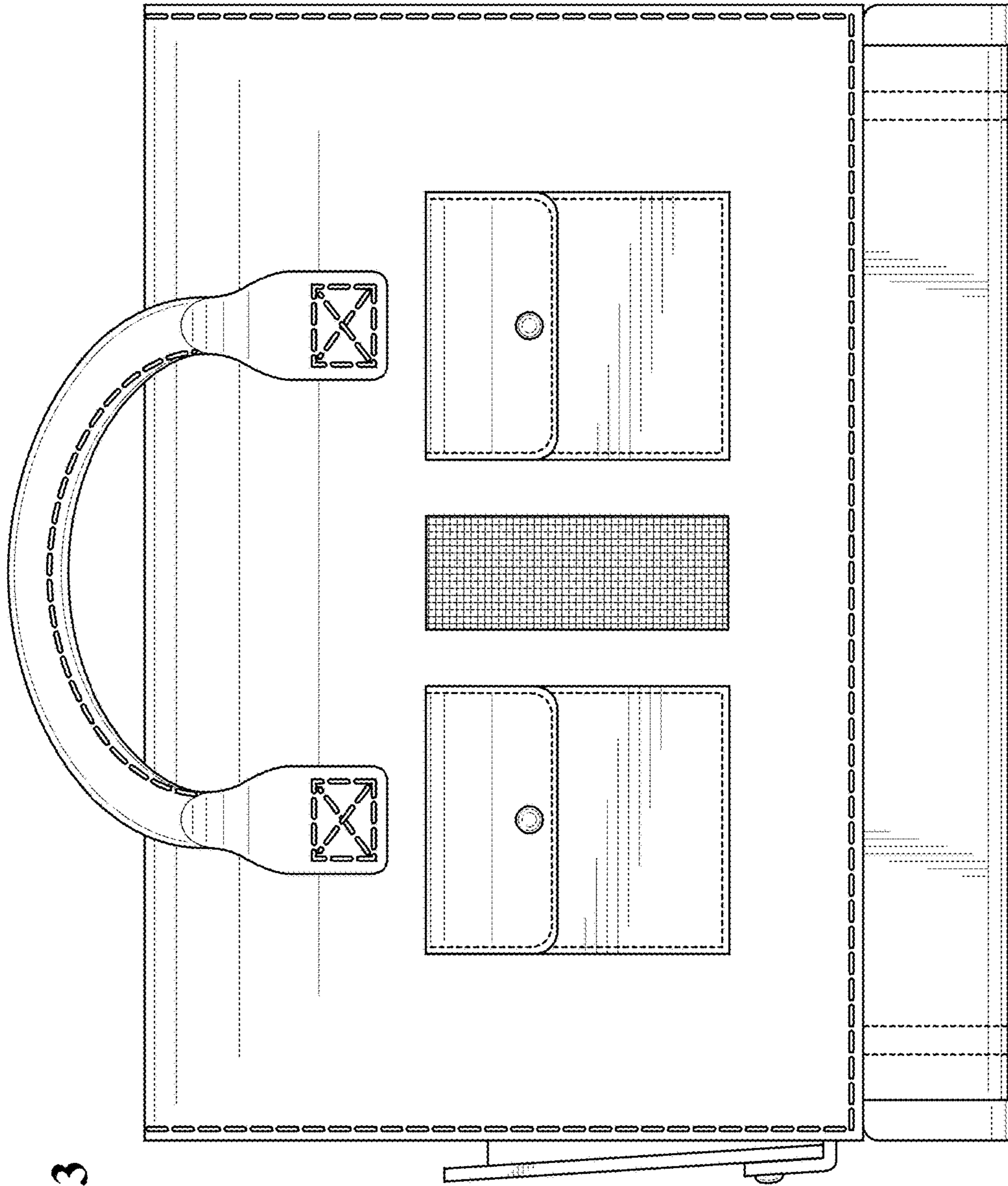


FIG. 3

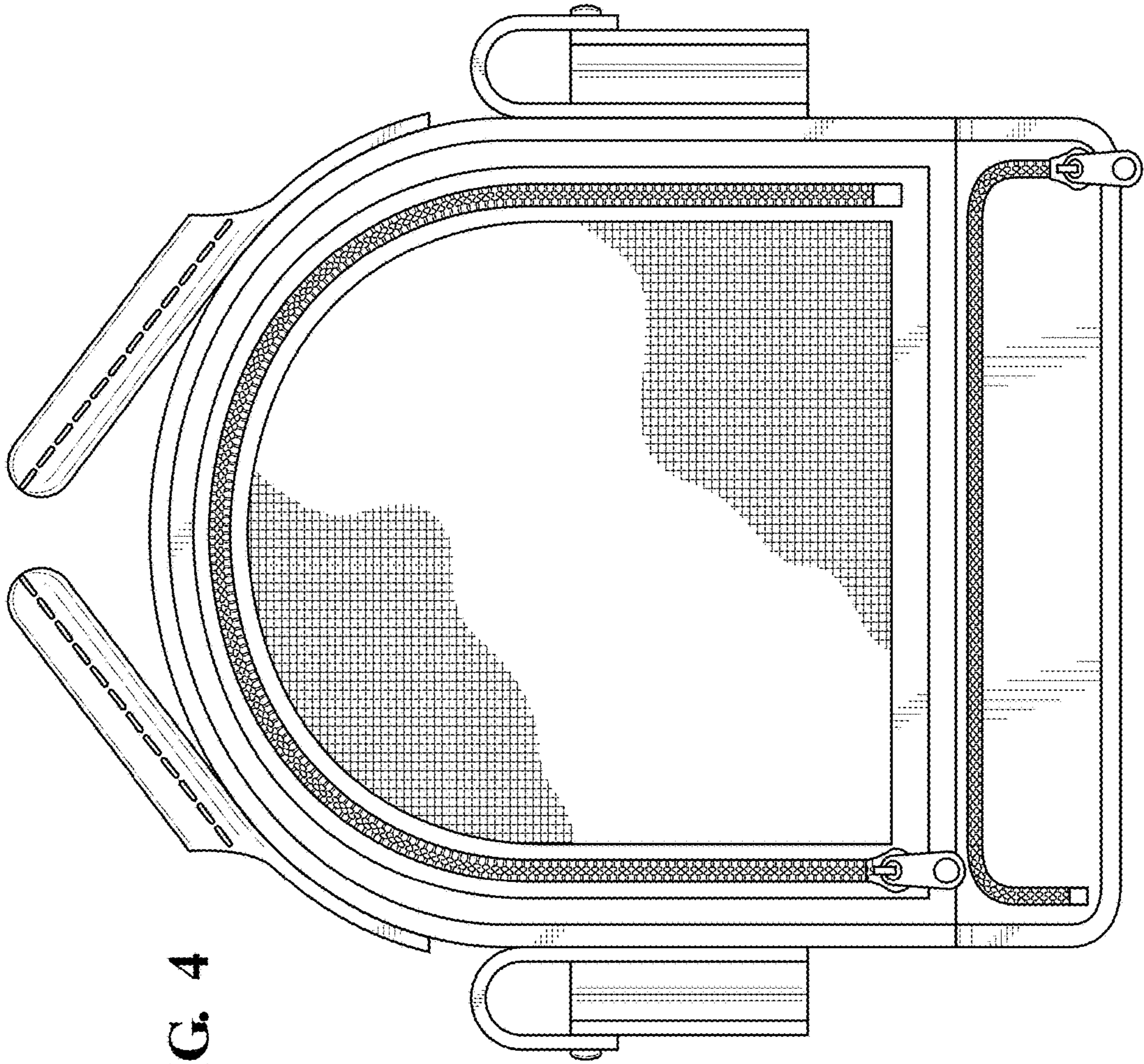


FIG. 4

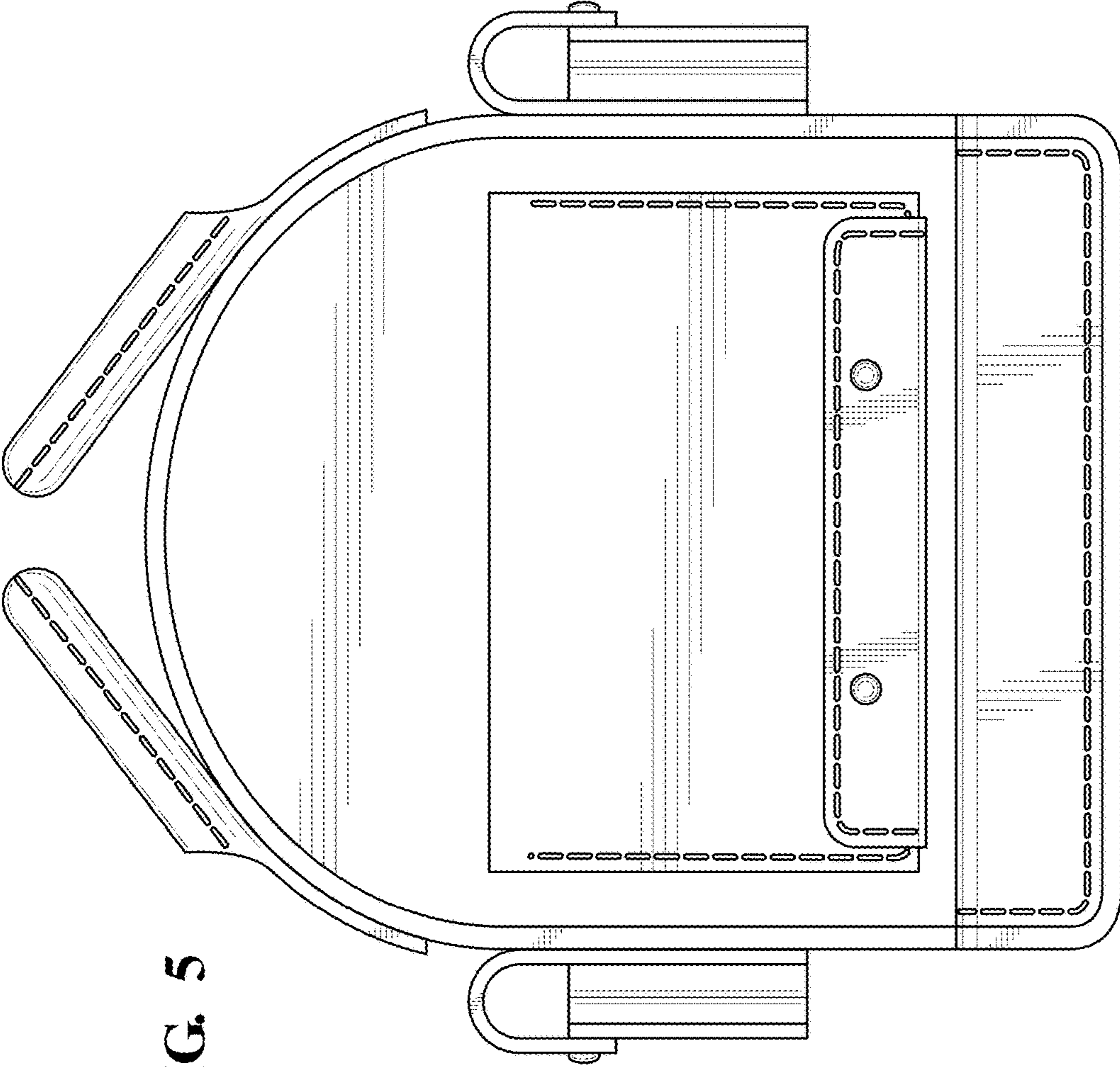


FIG. 5

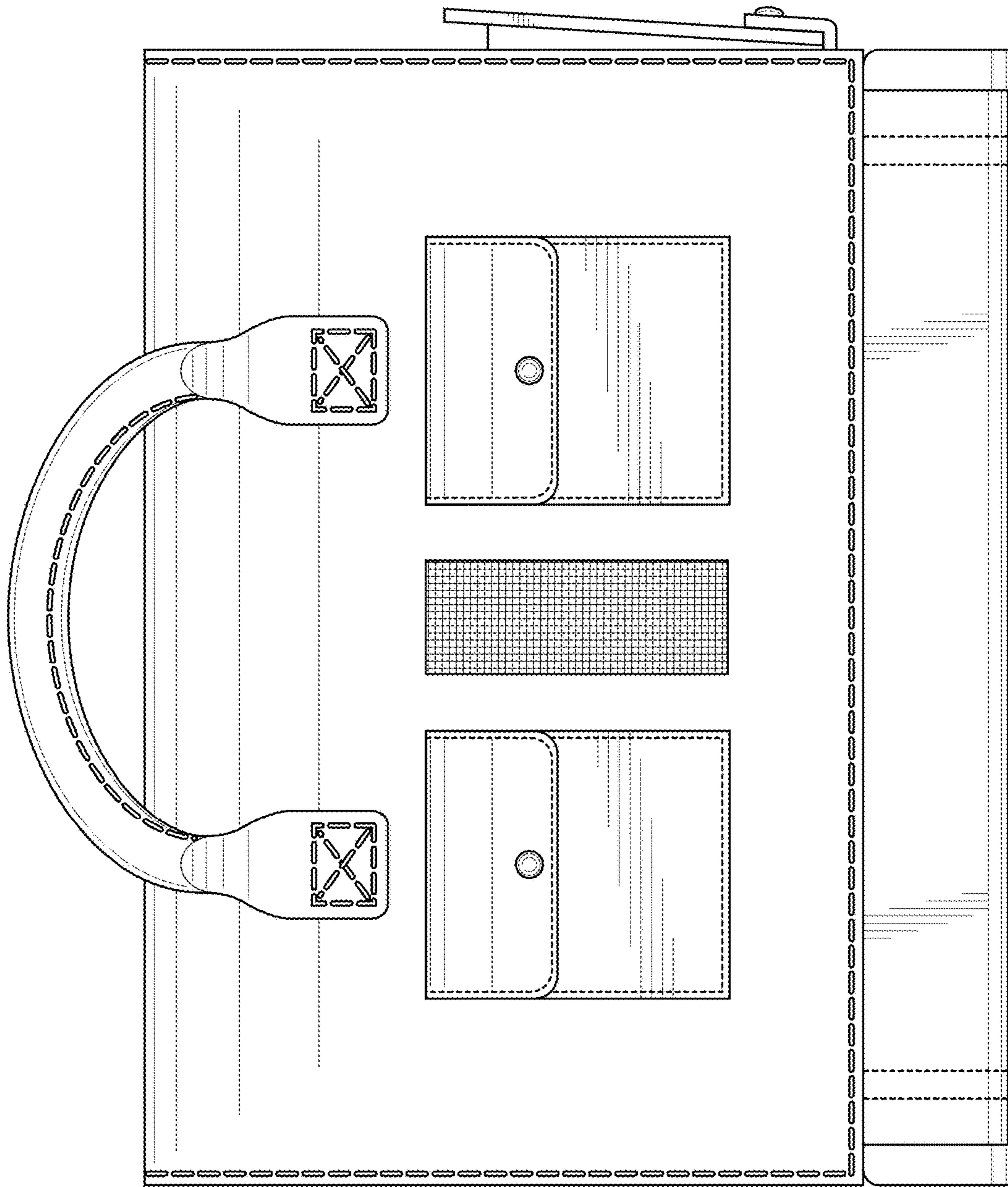


FIG. 6

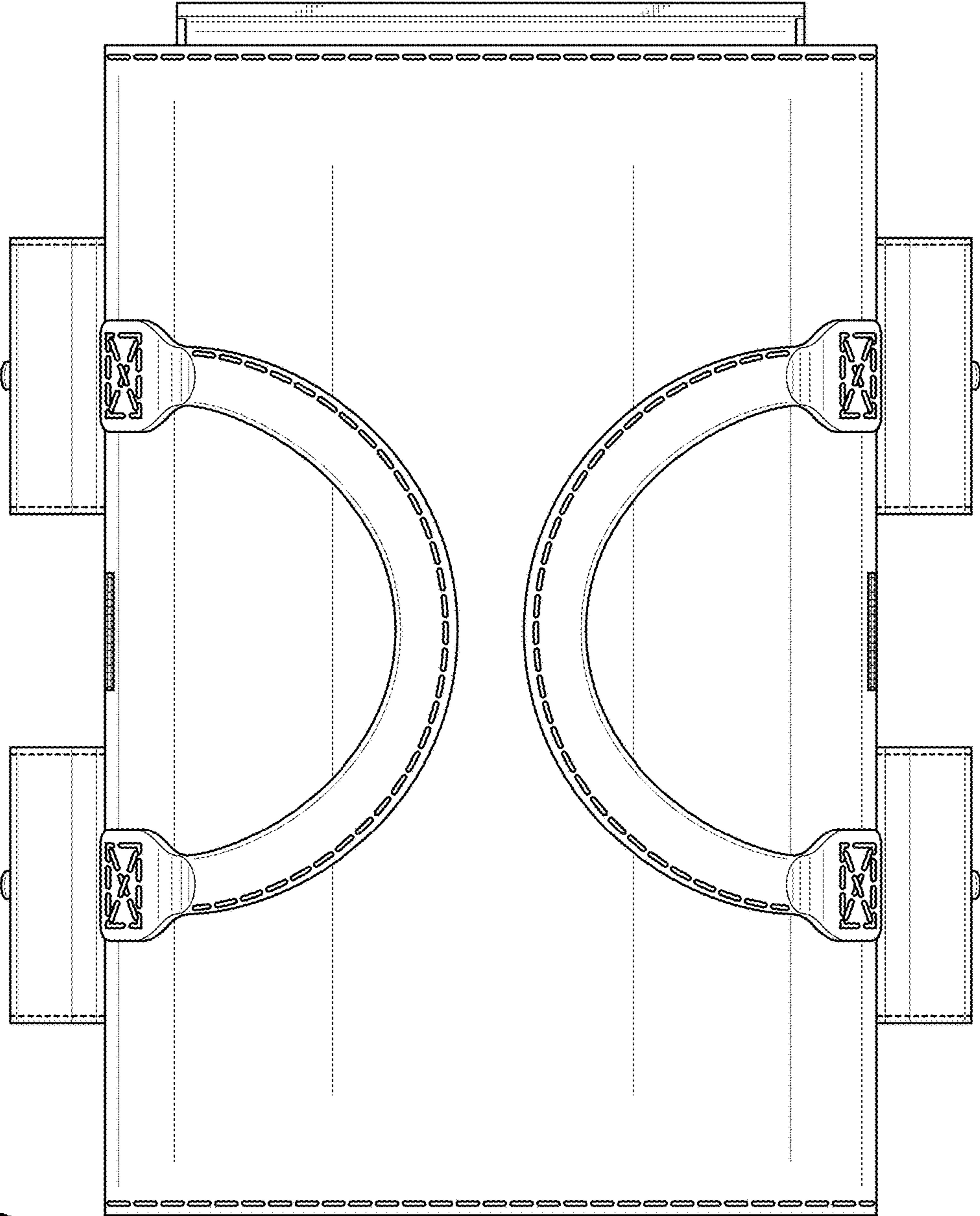


FIG. 7

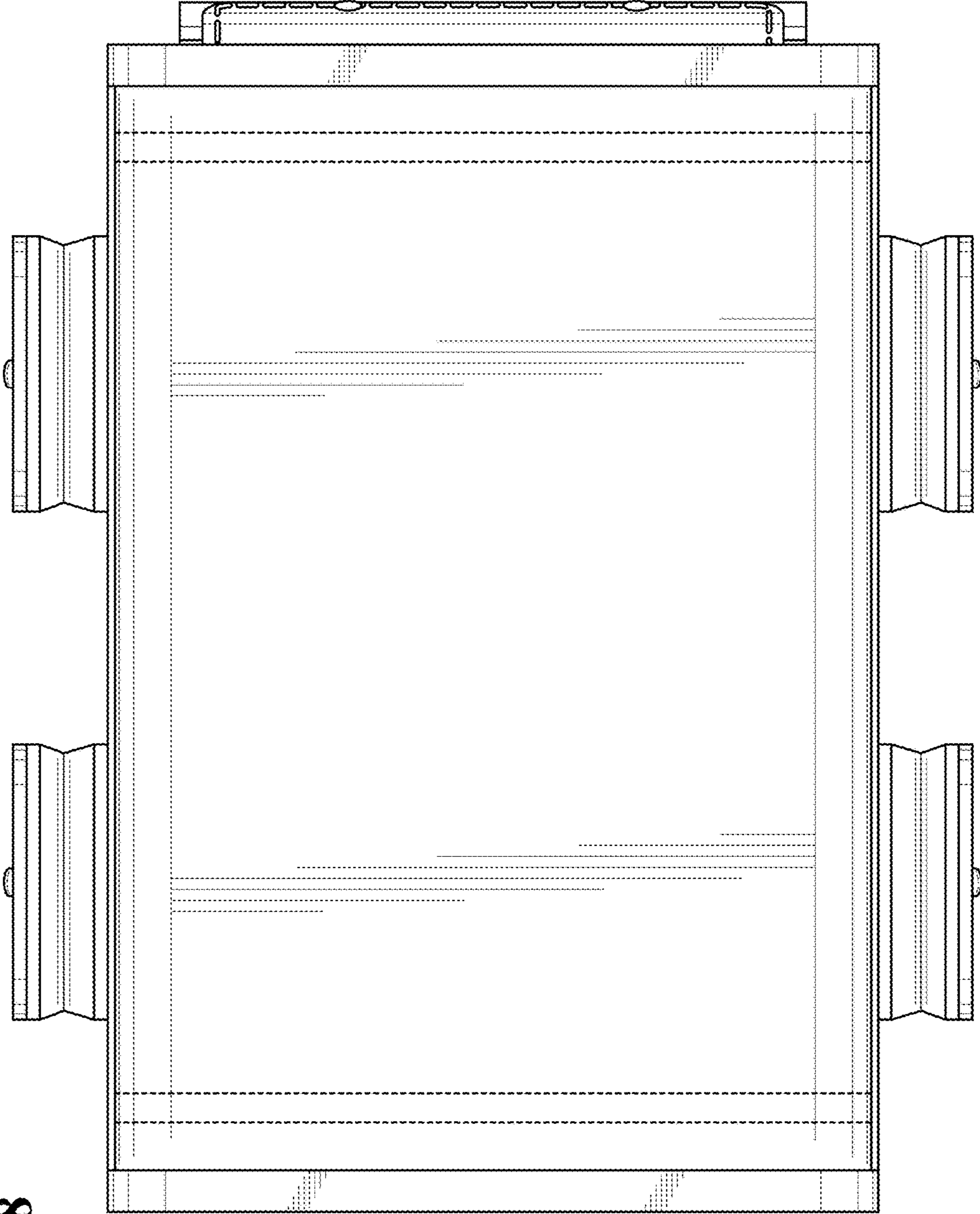


FIG. 8