



US00D84552S

(12) **United States Design Patent** (10) **Patent No.:** **US D845,552 S**  
**Bodum** (45) **Date of Patent:** **\*\* Apr. 9, 2019**

(54) **DECANTER**  
(71) Applicant: **PI-Design AG**, Triengen (CH)  
(72) Inventor: **Jorgen Bodum**, Meggen (CH)  
(73) Assignee: **PI-Design AG**, Triengen (CH)  
(\*\*) Term: **15 Years**

D220,621 S \* 5/1971 Moran et al. .... D23/231  
D290,089 S \* 6/1987 Heriard-Dubreuil  
D309,101 S \* 7/1990 Gardere ..... D7/300  
D319,971 S \* 9/1991 Rhodes ..... D9/439  
D378,897 S \* 4/1997 du Grenier ..... D7/598  
D405,633 S \* 2/1999 Joergensen ..... D6/522  
(Continued)

(21) Appl. No.: **29/612,678**  
(22) Filed: **Aug. 3, 2017**

**FOREIGN PATENT DOCUMENTS**

WO DM/092182 8/2016

(30) **Foreign Application Priority Data**

Feb. 6, 2017 (WO) ..... DM/096774

(51) **LOC (11) Cl.** ..... **28-03**  
(52) **U.S. Cl.**

USPC ..... **D28/91.1**

(58) **Field of Classification Search**  
USPC ..... D28/91.1; D24/110; D9/682–683, 686,  
D9/688–692, 763; D23/223, 229;  
239/337, 355, 23, 333; D26/118;  
D7/300–301.1, 301  
CPC ..... B05B 11/068; B05B 11/30; B05B 7/2408;  
B05B 7/2405; B05B 7/2418; A62C 11/00;  
A62C 11/005

See application file for complete search history.

**OTHER PUBLICATIONS**

Martini Decanter Set, Bodum, published at bodum.com, author and date not listed © not listed, online, site visited Jun. 20, 2018. Available from Internet, URL: <https://www.bodum.com/gb/en/k11799-109-melior> (Year: 2018).\*

(Continued)

*Primary Examiner* — Shannon W Morgan  
*Assistant Examiner* — Altaira J Swangin  
(74) *Attorney, Agent, or Firm* — McDonnell Boehnen Hulbert & Berghoff LLP

(57) **CLAIM**

The ornamental design for a decanter, as shown and described.

**DESCRIPTION**

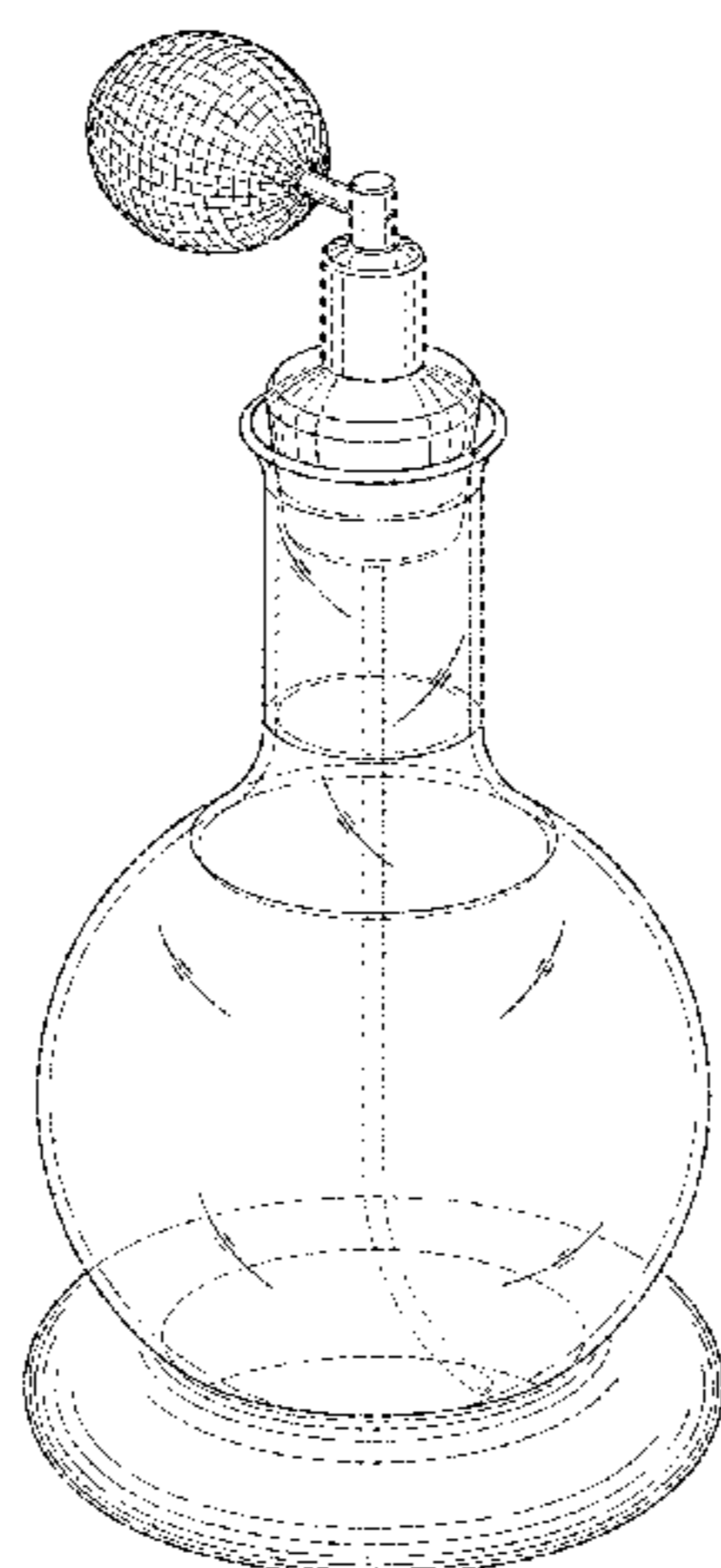
FIG. 1 is a top, front, left perspective view of a decanter showing my new design;  
FIG. 2 is a front view thereof;  
FIG. 3 is a rear view thereof;  
FIG. 4 is a left side view thereof;  
FIG. 5 is a right side view thereof;  
FIG. 6 is a top view thereof; and,  
FIG. 7 is a bottom view thereof.  
The broken lines depict portions of the decanter that form no part of the claimed design.

**1 Claim, 7 Drawing Sheets**

(56) **References Cited**

**U.S. PATENT DOCUMENTS**

88,105 A \* 3/1869 Whitney ..... B65D 21/0231  
215/10  
514,426 A \* 2/1894 Outerbridge, Jr. ... B01J 19/0046  
422/556  
608,391 A \* 8/1898 Gropley et al. .... B05B 11/048  
222/209  
D58,091 S \* 6/1921 Heisler ..... D7/300  
D76,065 S \* 8/1928 Smith ..... D28/91.1  
D121,909 S \* 8/1940 Vuilleminot ..... D28/91.1  
D160,996 S \* 11/1950 Carleton ..... D28/91.1  
D186,416 S \* 10/1959 Stephenson ..... D23/231



(56)

References Cited

U.S. PATENT DOCUMENTS

D406,366 S \* 3/1999 Joergensen ..... D26/11  
 D406,368 S \* 3/1999 Joergensen ..... D26/11  
 D433,101 S \* 10/2000 Chern ..... D23/231  
 D543,417 S 5/2007 Baussan  
 D563,238 S \* 3/2008 Nevins ..... D9/684  
 D570,690 S \* 6/2008 McGuinness ..... D9/504  
 D606,407 S \* 12/2009 Fadelli ..... D9/504  
 D614,967 S \* 5/2010 Chertoff ..... D9/682  
 D617,039 S \* 6/2010 Sabernig ..... D26/104  
 7,793,866 B2 \* 9/2010 Chou ..... B05B 11/06  
 239/354  
 D637,445 S \* 5/2011 Chung ..... D7/312  
 D652,680 S \* 1/2012 Straka ..... D7/300.1  
 D663,619 S \* 7/2012 Pillet ..... D9/452  
 D672,607 S \* 12/2012 Hainan ..... D7/300  
 D681,384 S \* 5/2013 Fitzpatrick ..... A47G 19/12  
 D7/300  
 D693,693 S \* 11/2013 Sanchez ..... D7/300

D712,026 S \* 8/2014 Cant ..... D24/115  
 D719,446 S \* 12/2014 Ponomarenko ..... D9/500  
 D727,081 S \* 4/2015 Rokos ..... D7/300  
 D749,368 S \* 2/2016 Risso ..... D7/602  
 D783,268 S \* 4/2017 Shelton ..... D28/91.1  
 D787,253 S \* 5/2017 Bodum ..... D7/310  
 D797,564 S \* 9/2017 Penn ..... D9/454  
 D797,567 S \* 9/2017 Santos ..... D9/682  
 D809,391 S \* 2/2018 Funk ..... D9/500  
 D818,321 S \* 5/2018 Bodum ..... D7/598  
 D818,838 S \* 5/2018 Kastrati ..... D9/690  
 D822,500 S \* 7/2018 Vargas-Folch ..... D9/682  
 D824,714 S \* 8/2018 Bodum ..... D7/318  
 D829,481 S \* 10/2018 Bodum ..... D7/318  
 D830,758 S \* 10/2018 Bodum ..... D7/316  
 2018/0361410 A1 \* 12/2018 Kim ..... B05B 11/0097

OTHER PUBLICATIONS

Bodum, U.S. Appl. No. 29/592,165, filed Jan. 27, 2017, 16 pages.

\* cited by examiner

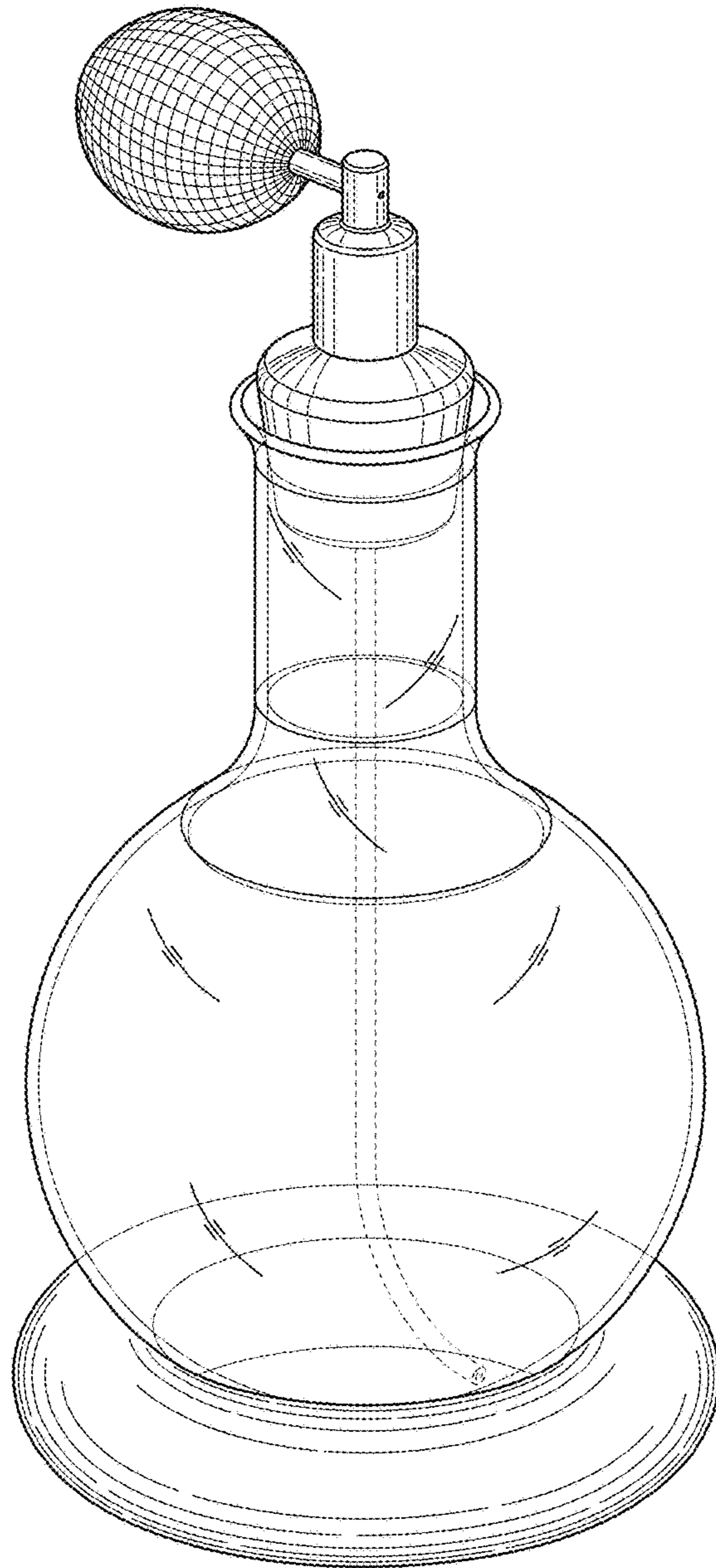


FIG. 1

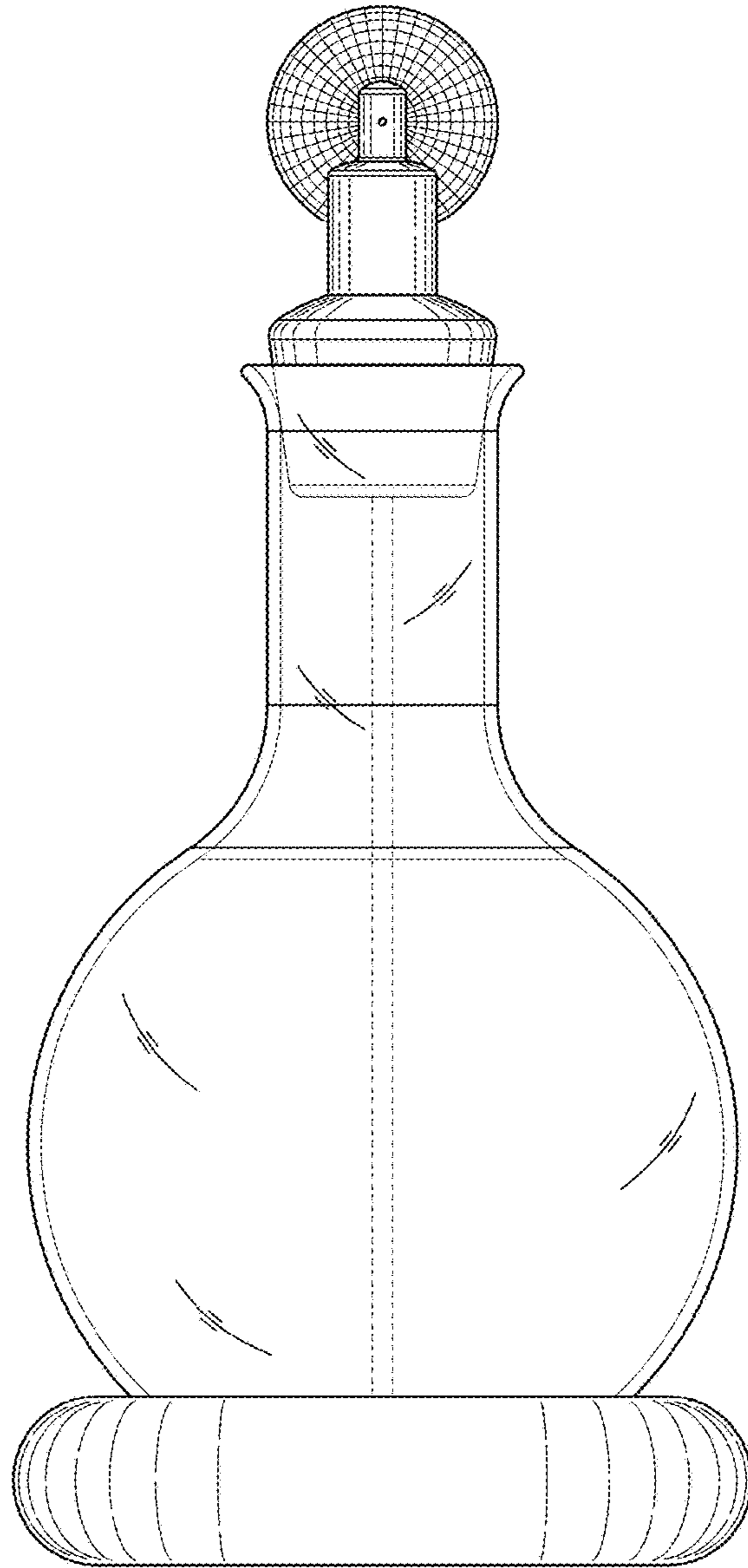


FIG. 2

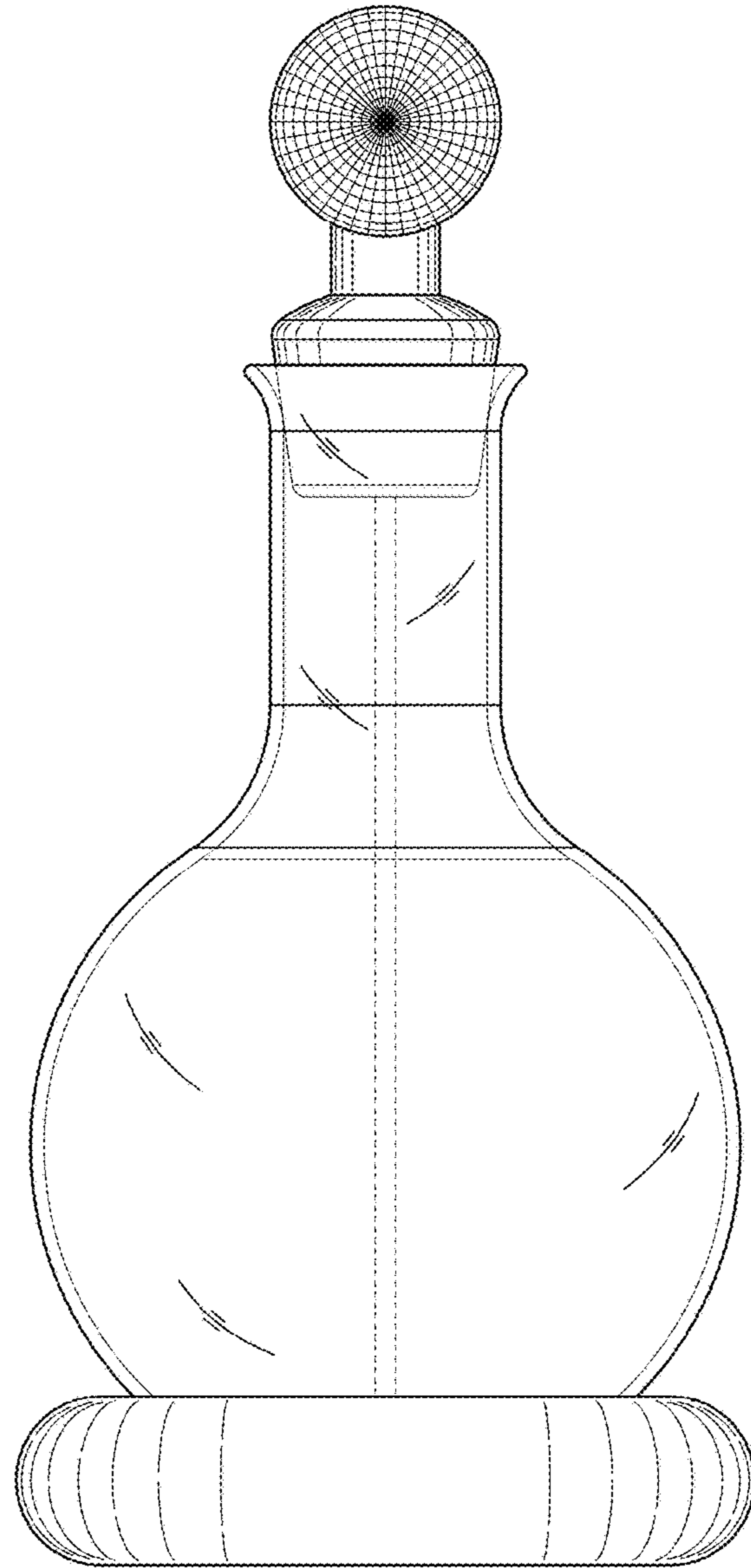


FIG. 3

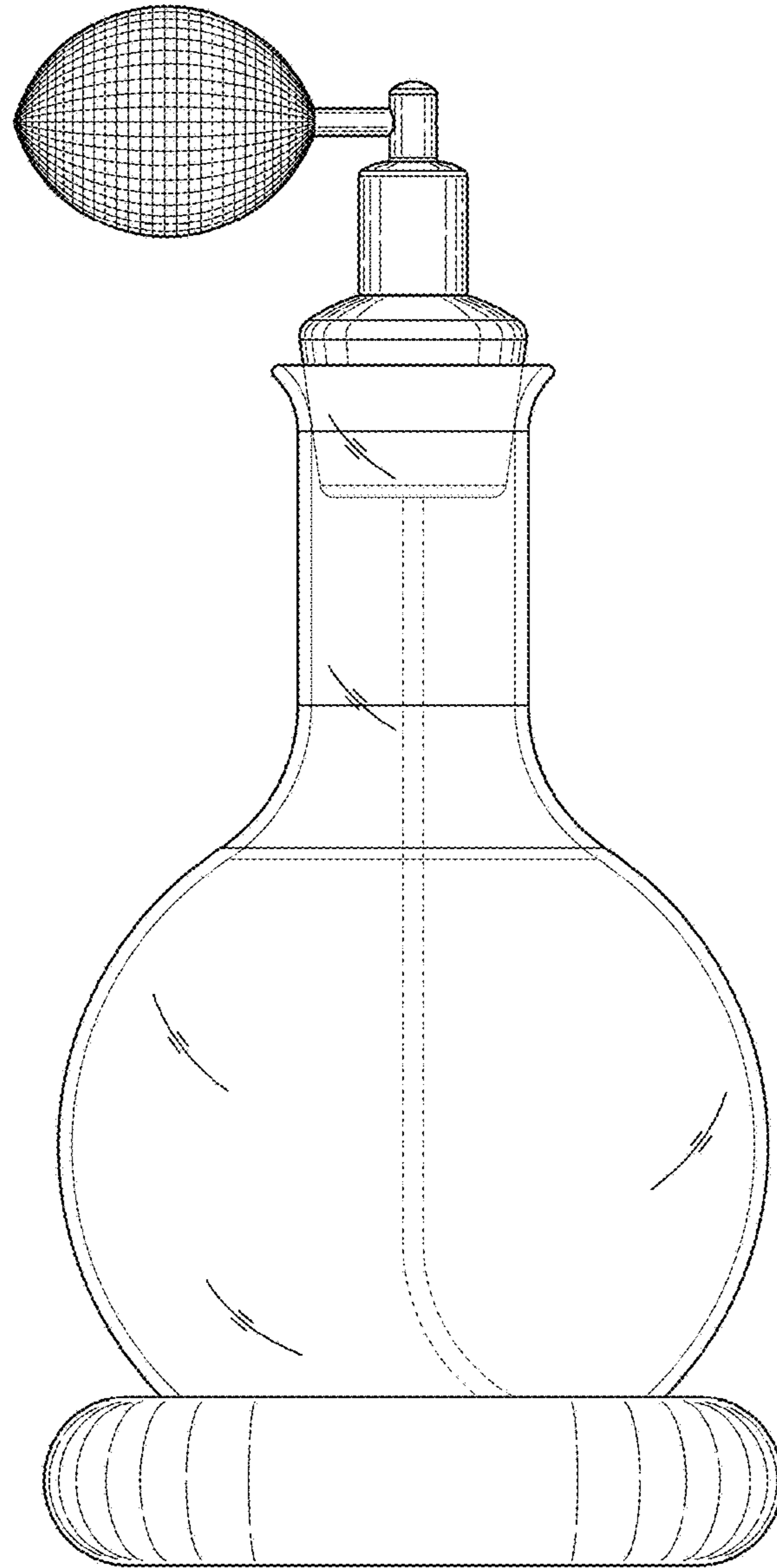


FIG. 4

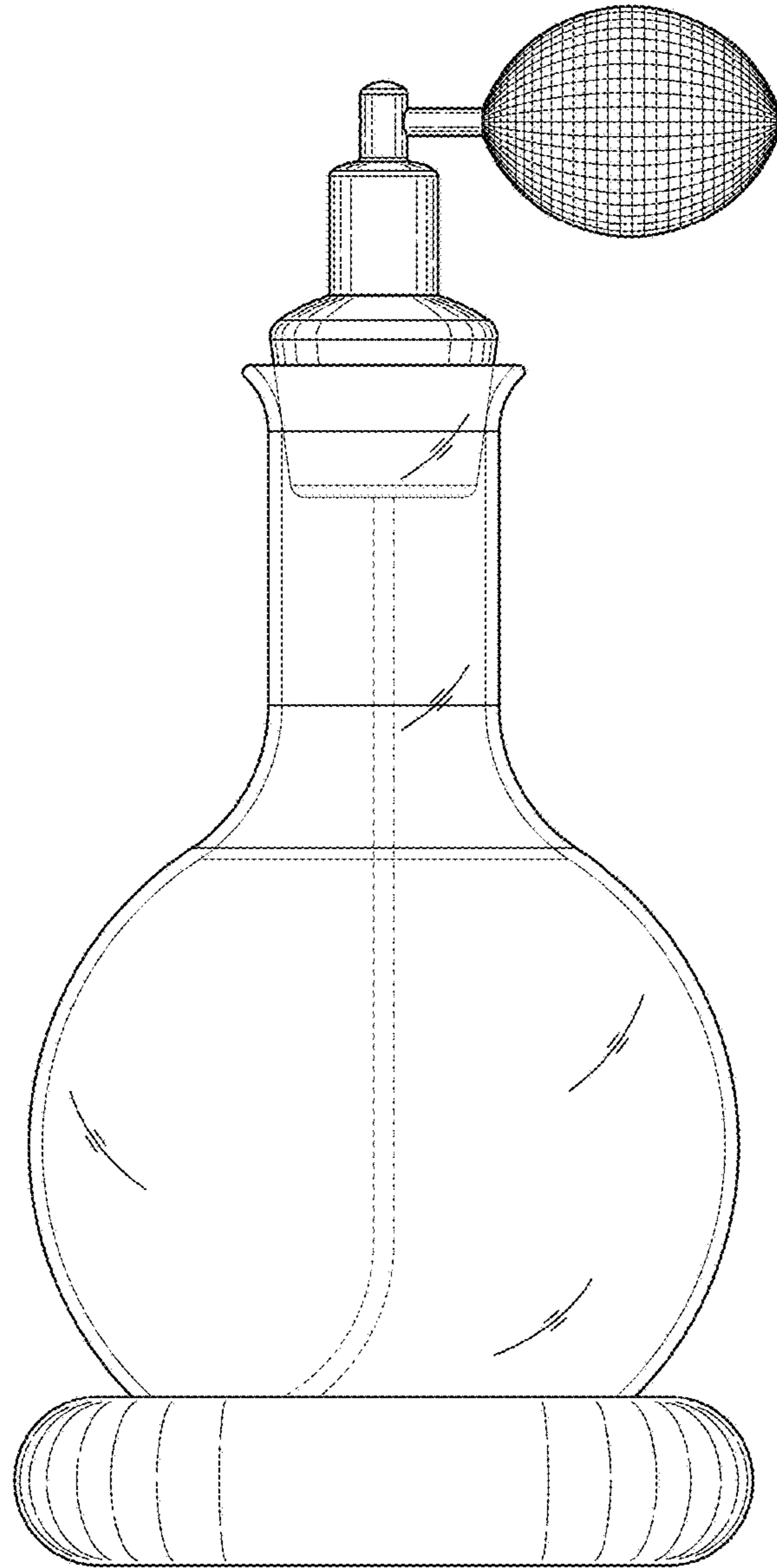


FIG. 5

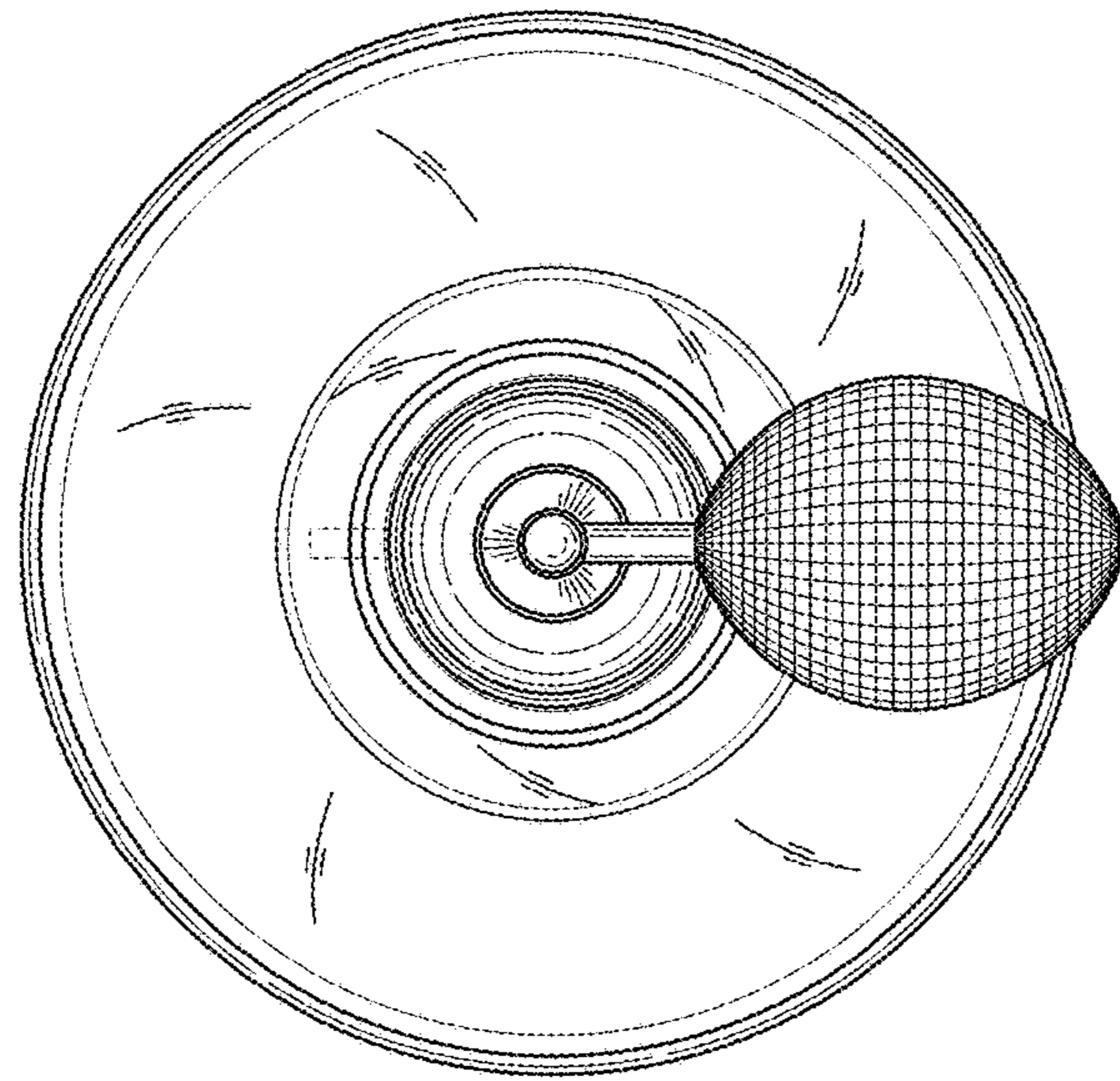


FIG. 6



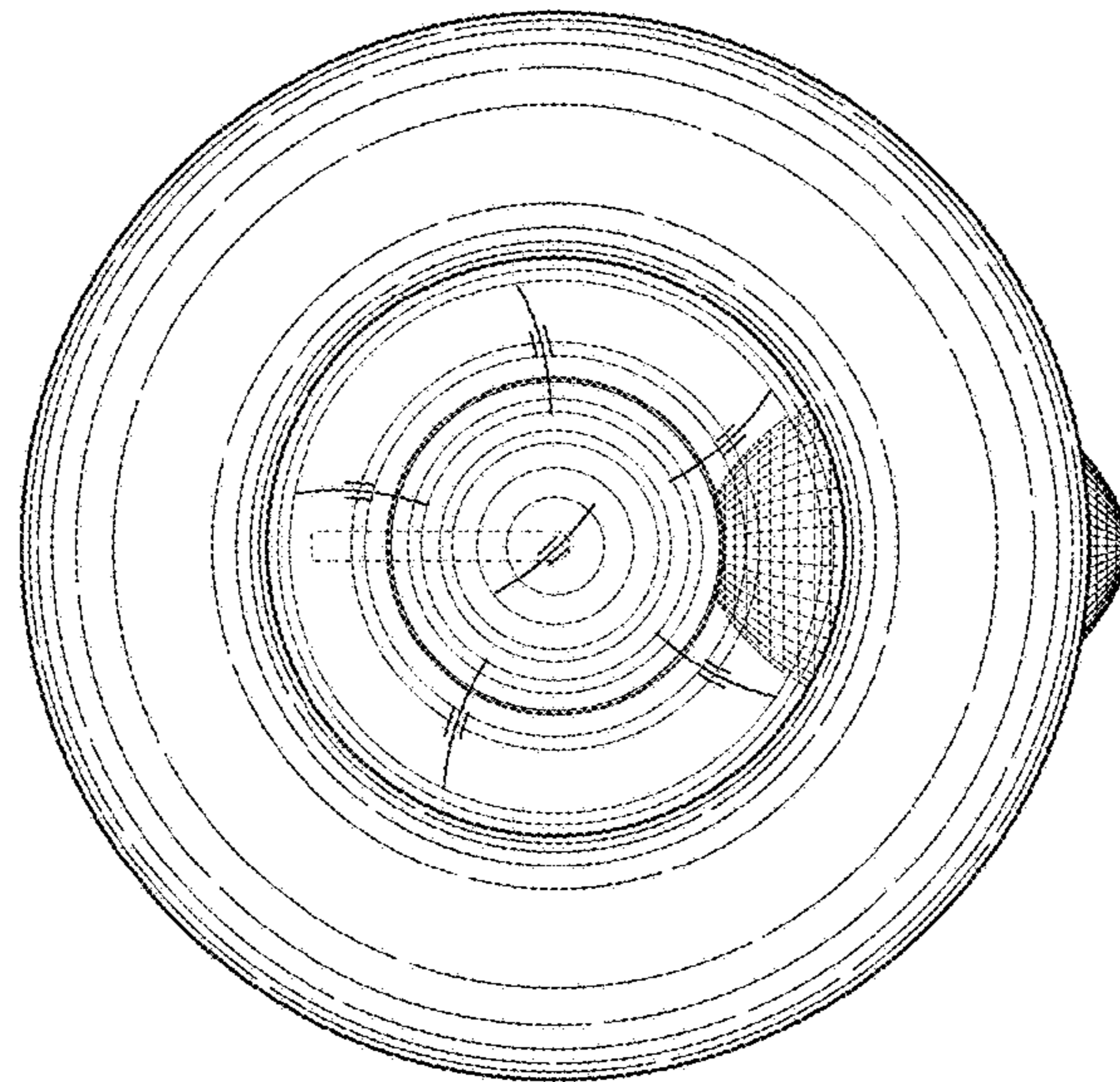


FIG. 7