



US00D845550S

(12) **United States Design Patent**
Yang

(10) **Patent No.:** **US D845,550 S**

(45) **Date of Patent:** **** Apr. 9, 2019**

(54) **HAIR DRYER HOLDER**

(71) Applicant: **Lei Yang**, Luzhou (CN)

(72) Inventor: **Lei Yang**, Luzhou (CN)

(**) Term: **15 Years**

(21) Appl. No.: **29/608,605**

(22) Filed: **Jun. 23, 2017**

(51) **LOC (11) Cl.** **28-03**

(52) **U.S. Cl.**
USPC **D28/73**

(58) **Field of Classification Search**
USPC D28/8.1, 38, 56, 57, 58, 59, 61, 62,
D28/73-75, 76-84; D19/75, 77; D6/567,
D6/572
CPC A45C 11/00; A47B 81/00; A47G 29/08
See application file for complete search history.

(56) **References Cited**

U.S. PATENT DOCUMENTS

- 988,434 A * 4/1911 Blundon F21V 35/00
248/314
- D49,875 S * 11/1916 Auligino D19/77
- D149,105 S * 3/1948 Barnett D28/73
- 4,446,972 A * 5/1984 Sussman A47G 29/08
211/26
- D320,909 S * 10/1991 Szablak D30/133
- 5,485,931 A * 1/1996 Barr, Jr. A47F 5/08
211/60.1
- D376,928 S * 12/1996 Lorenzana D6/406.5
- D396,133 S * 7/1998 Stein D28/73
- D426,921 S * 6/2000 Renfrew D28/73
- D457,566 S * 5/2002 Slater D19/77
- 6,591,990 B2 * 7/2003 Lanman B43M 99/001
206/214
- 6,761,266 B2 * 7/2004 Popish A45C 11/16
206/38
- D548,888 S * 8/2007 McCambridge D28/74
- D552,796 S * 10/2007 Petruccelli D28/18
- D584,857 S * 1/2009 Kirschenmann D28/73
- D603,562 S * 11/2009 Mills D28/38

- D619,656 S * 7/2010 Trombly D19/77
- D663,981 S * 7/2012 Purcell D6/525
- D667,503 S * 9/2012 Ranby D19/75
- 8,371,314 B1 * 2/2013 Herd A45D 40/24
132/286
- D692,182 S * 10/2013 Speh D28/38
- D806,949 S * 1/2018 Cozzolino D28/38
- D819,268 S * 5/2018 Goodman D28/38

OTHER PUBLICATIONS

Tiang Adhesive Hair Dryer Holder, Amazon.com, reviewed on Aug. 8, 2018 on amazon.com, retrieved on Sep. 25, 2018, retrieved from the Internet URL: https://www.amazon.com/TIANG-Adhesive-Drilling-Bathroom-Organizer/dp/B07CDQVVKD/ref=pd_day0_c_121_7?_encoding=UTF8&pd_rd_i=B07CDQVVKD&pd_rd_r=54c14d37-c0e8-11e8-8326-379a265.*

* cited by examiner

Primary Examiner — Jennifer Rivardi

Assistant Examiner — Alison M Ofstun

(74) *Attorney, Agent, or Firm* — Gokalp Bayramoglu

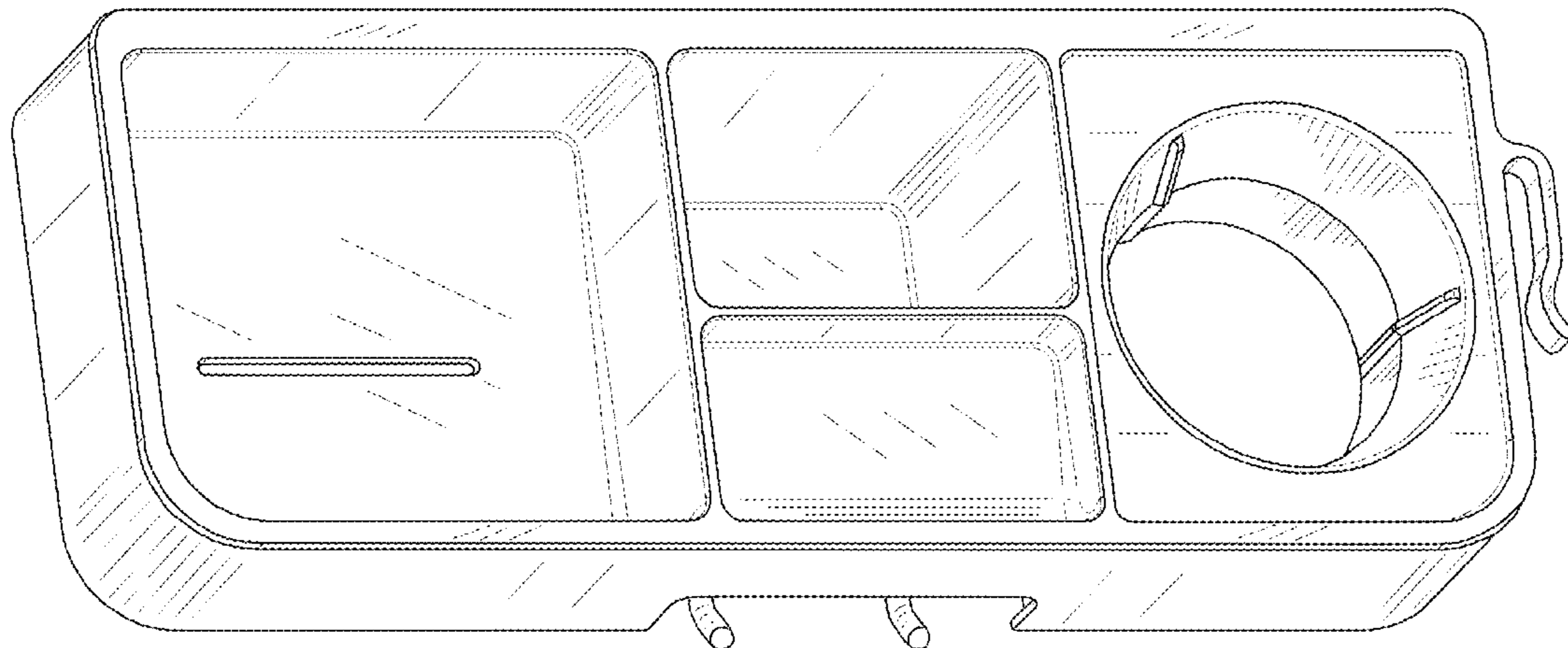
(57) **CLAIM**

The ornamental design for a hair dryer holder, as shown and described.

DESCRIPTION

FIG. 1 is a front view of a hair dryer holder showing my new design;
FIG. 2 is a back view thereof;
FIG. 3 is a left side view thereof;
FIG. 4 is a right side view thereof;
FIG. 5 is a top plan view thereof;
FIG. 6 is a bottom plan view thereof;
FIG. 7 is a perspective view thereof;
FIG. 8 is a back, bottom perspective view thereof; and,
FIG. 9 is a front, top perspective view thereof.
The broken lines in the drawings represent portions of the article which form no part of the claimed design.

1 Claim, 9 Drawing Sheets



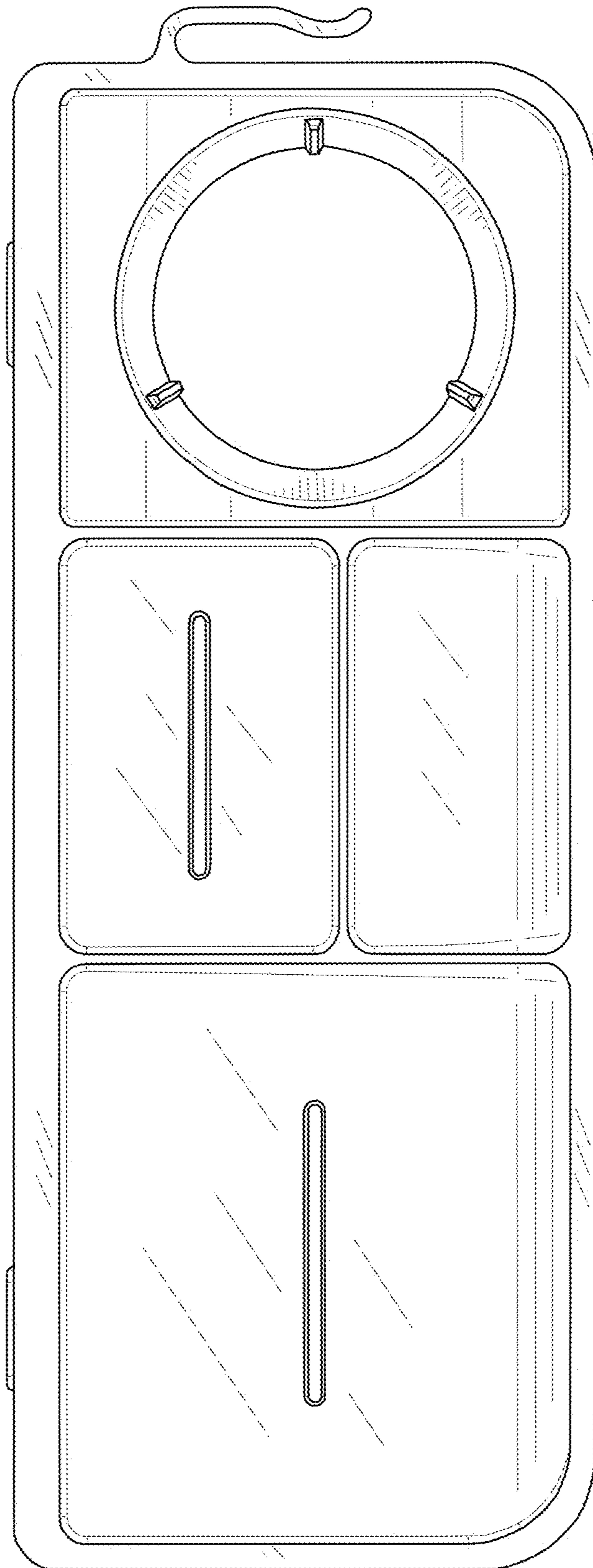


FIG. 1

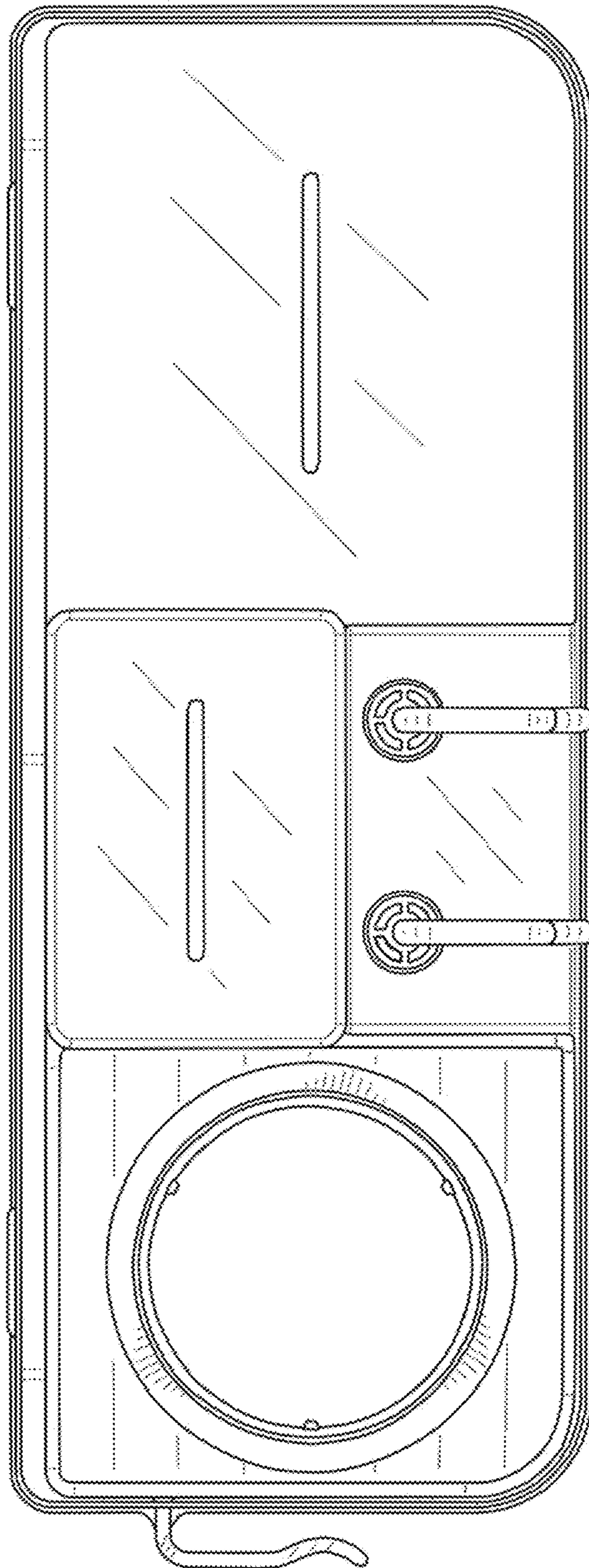


FIG. 2

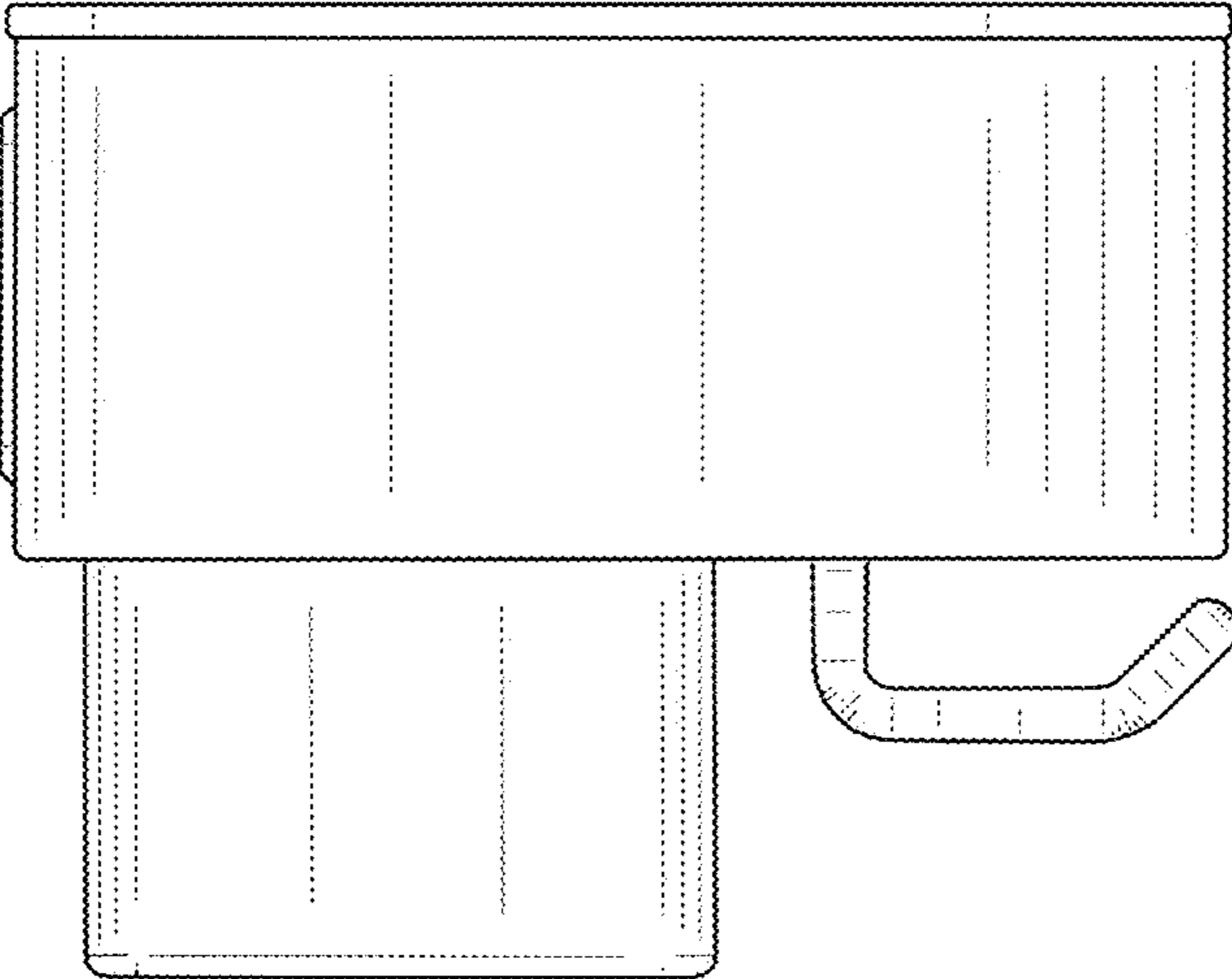


FIG. 3

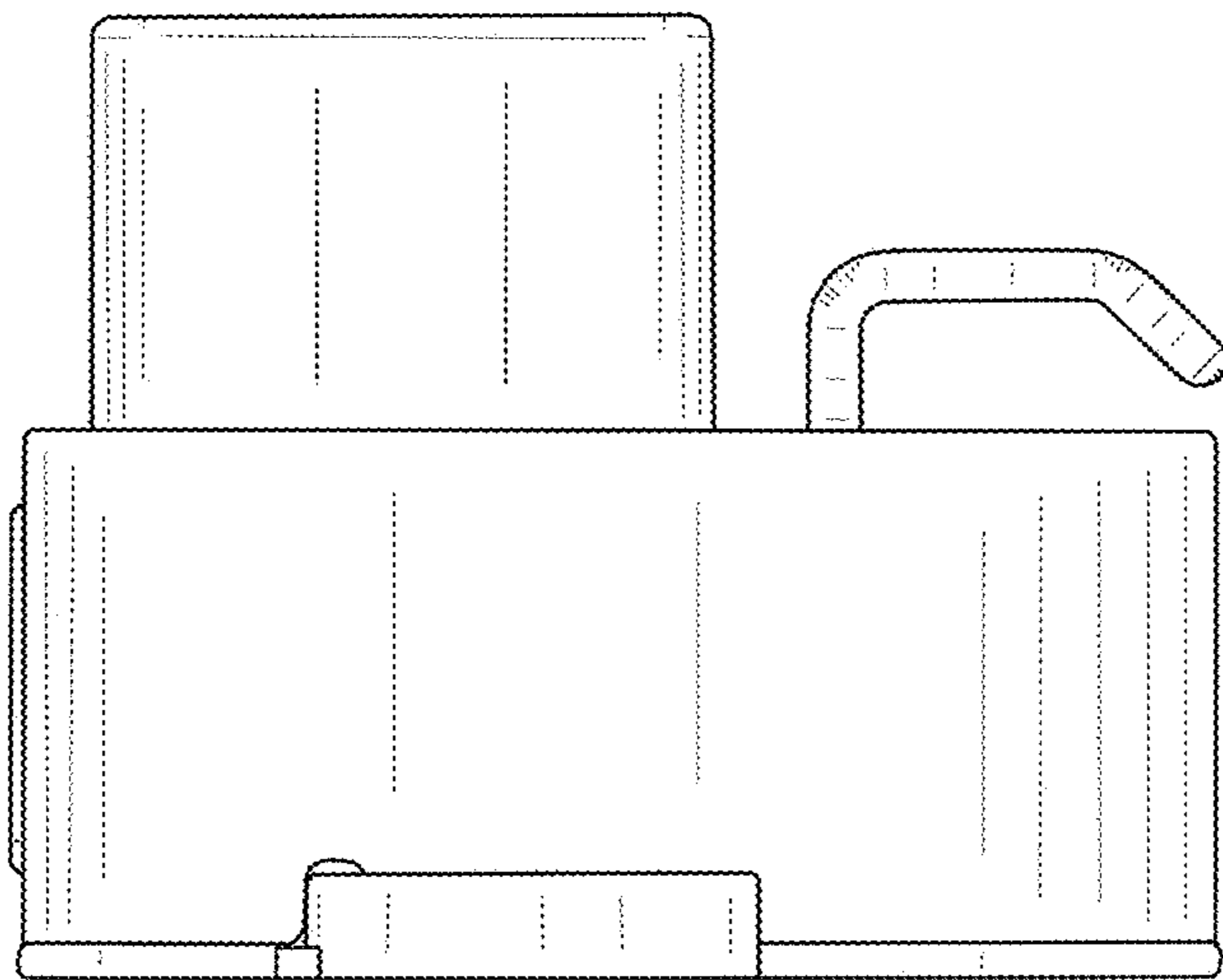


FIG. 4

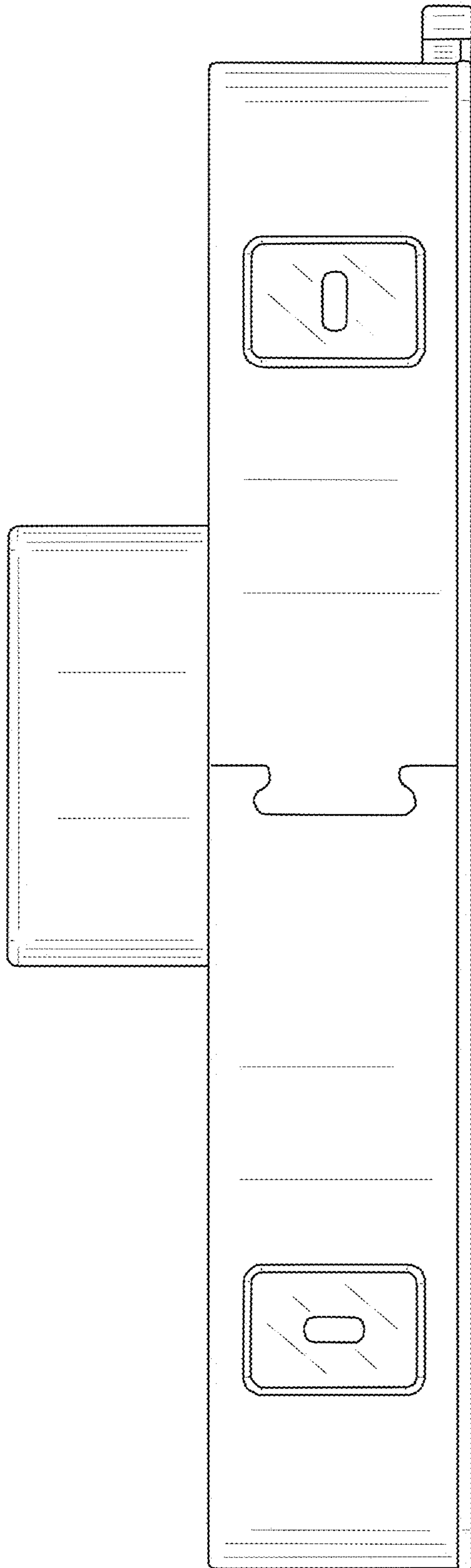


FIG. 5

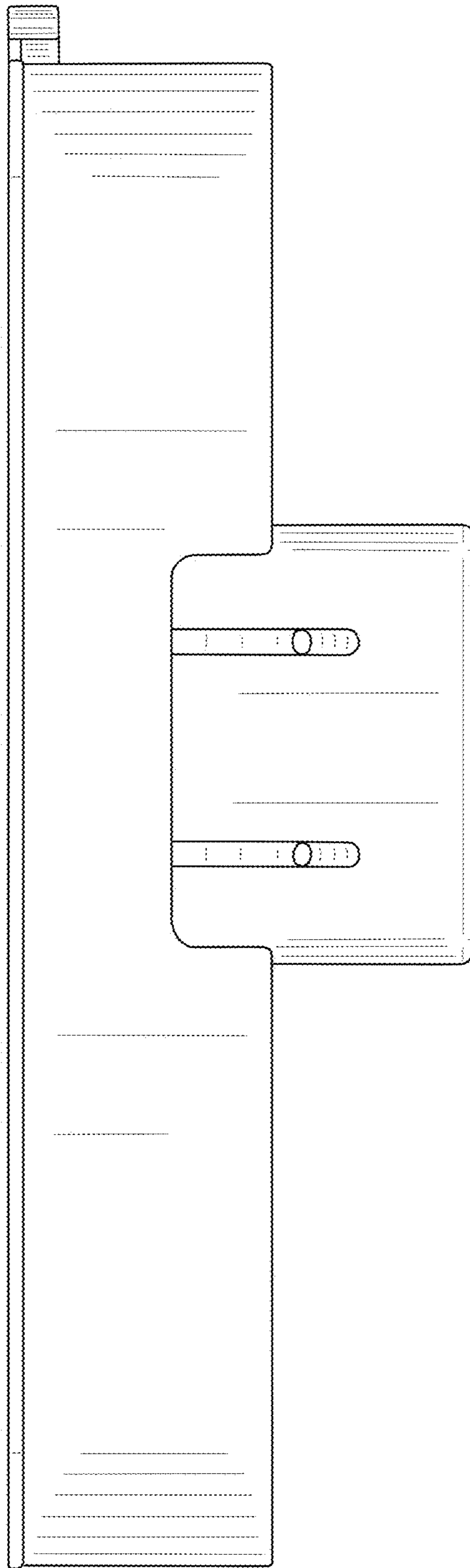


FIG. 6

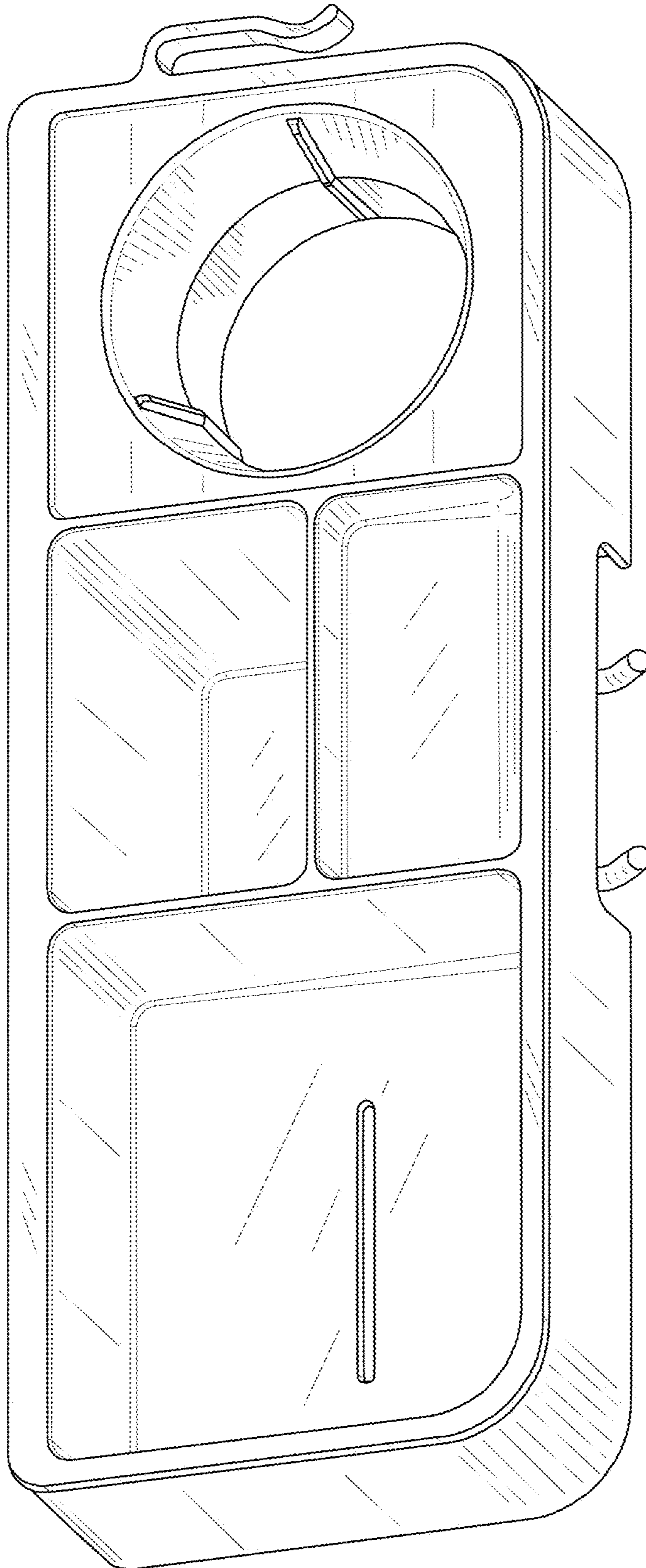


FIG. 7

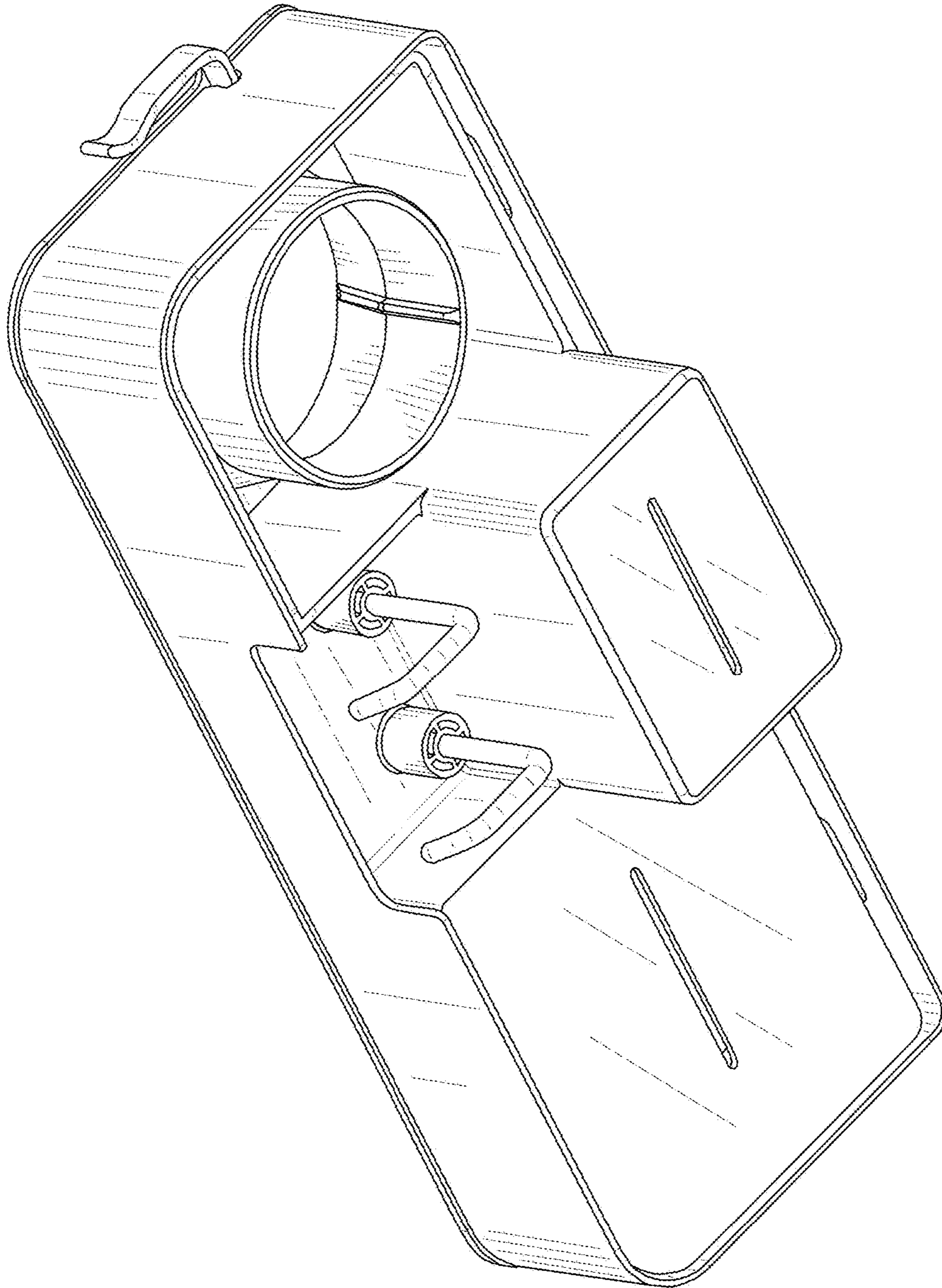


FIG. 8

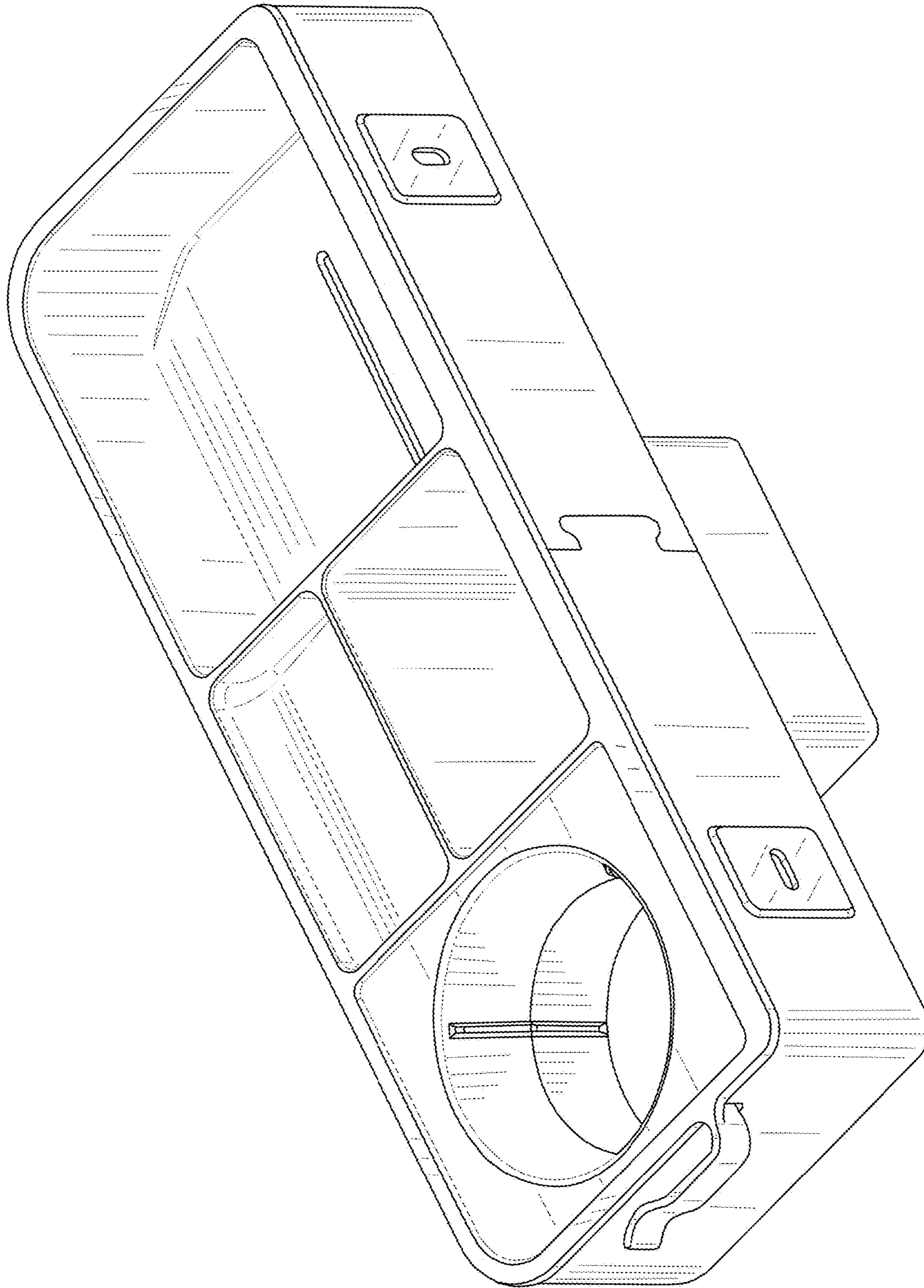


FIG. 9