



US00D845549S

(12) **United States Design Patent**
Nicoline

(10) **Patent No.:** **US D845,549 S**

(45) **Date of Patent:** **** Apr. 9, 2019**

- (54) **COSMETIC UTENSIL HOLDER**
- (71) Applicant: **Paris Presents Incorporated**, Gurnee, IL (US)
- (72) Inventor: **Alyssa Nicoline**, McHenry, IL (US)
- (73) Assignee: **Paris Presents Incorporated**, Gurnee, IL (US)

(**) Term: **15 Years**

(21) Appl. No.: **29/588,707**

(22) Filed: **Dec. 22, 2016**

(51) **LOC (11) Cl.** **28-03**

(52) **U.S. Cl.**
USPC **D28/73**

(58) **Field of Classification Search**
 USPC D9/559-560, 566, 573-575, 581, 430,
 D9/431-432, 738-739, 751-752;
 206/581, 823, 349, 361, 769-770,
 206/776-778, 781; D28/38, 61, 73, 99;
 D3/205, 209-210, 228-229, 269, 314,
 D3/316; D6/525-526, 535; D11/143,
 D11/155; D26/9, 22, 91; D7/600.1, 601,
 D7/602, 605, 608, 612, 615
 CPC .. A45D 34/00; A45D 2034/007; A45D 34/02;
 A45D 34/04; A45D 2001/002; A45D
 44/00; A45D 33/26; A45D 33/28; A47G
 29/08

See application file for complete search history.

(56) **References Cited**

U.S. PATENT DOCUMENTS

- 2,427,230 A * 9/1947 Salzmann F25D 3/08
62/261
- D242,022 S * 10/1976 Bish D9/432
- D244,085 S * 4/1977 Giddings D9/432
- 4,031,663 A * 6/1977 Brunk A01G 9/02
206/45.24

- D255,545 S * 6/1980 Grodin D9/529
- D261,613 S * 11/1981 Forbes, Jr. D9/418
- D276,594 S * 12/1984 Fahey D9/420
- D287,339 S * 12/1986 Dominski D9/529
- D287,821 S * 1/1987 Holewinski D9/414
- D289,356 S * 4/1987 Tanaka D7/523
- D295,710 S * 5/1988 Hero D7/608
- 4,742,951 A * 5/1988 Kelly B65D 77/06
229/109
- D302,873 S * 8/1989 Sayn Wittgenstein D28/85
- D308,019 S * 5/1990 Mileos D7/672

(Continued)

Primary Examiner — Shannon W Morgan

Assistant Examiner — Altaira J Swangin

(74) *Attorney, Agent, or Firm* — Quarles & Brady LLP

(57) **CLAIM**

The ornamental design for a cosmetic utensil holder, as shown and described.

DESCRIPTION

FIG. 1 is a top perspective view of a first embodiment of a cosmetic utensil holder with an open bottom showing our new design;

FIG. 2 is a bottom perspective view thereof;

FIG. 3 is a front view thereof, it being understood that the back side view not shown is a mirror image thereof;

FIG. 4 is a right side view thereof, it being understood that the left side view not shown is a mirror image thereof

FIG. 5 is a top plan view thereof;

FIG. 6 is a bottom plan view thereof;

FIG. 7 is a top perspective view of a second embodiment of a cosmetic utensil holder with a closed bottom;

FIG. 8 is a bottom perspective view thereof;

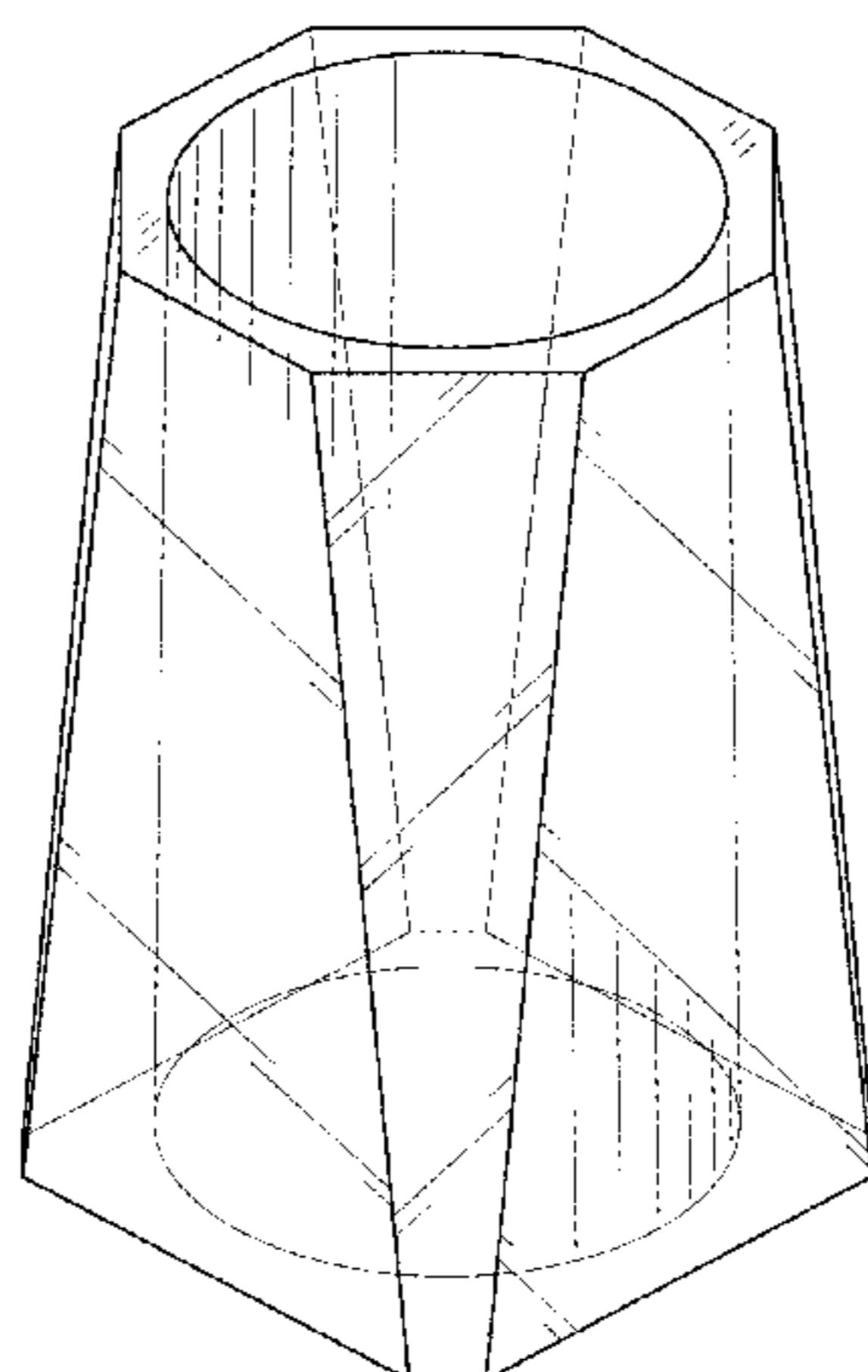
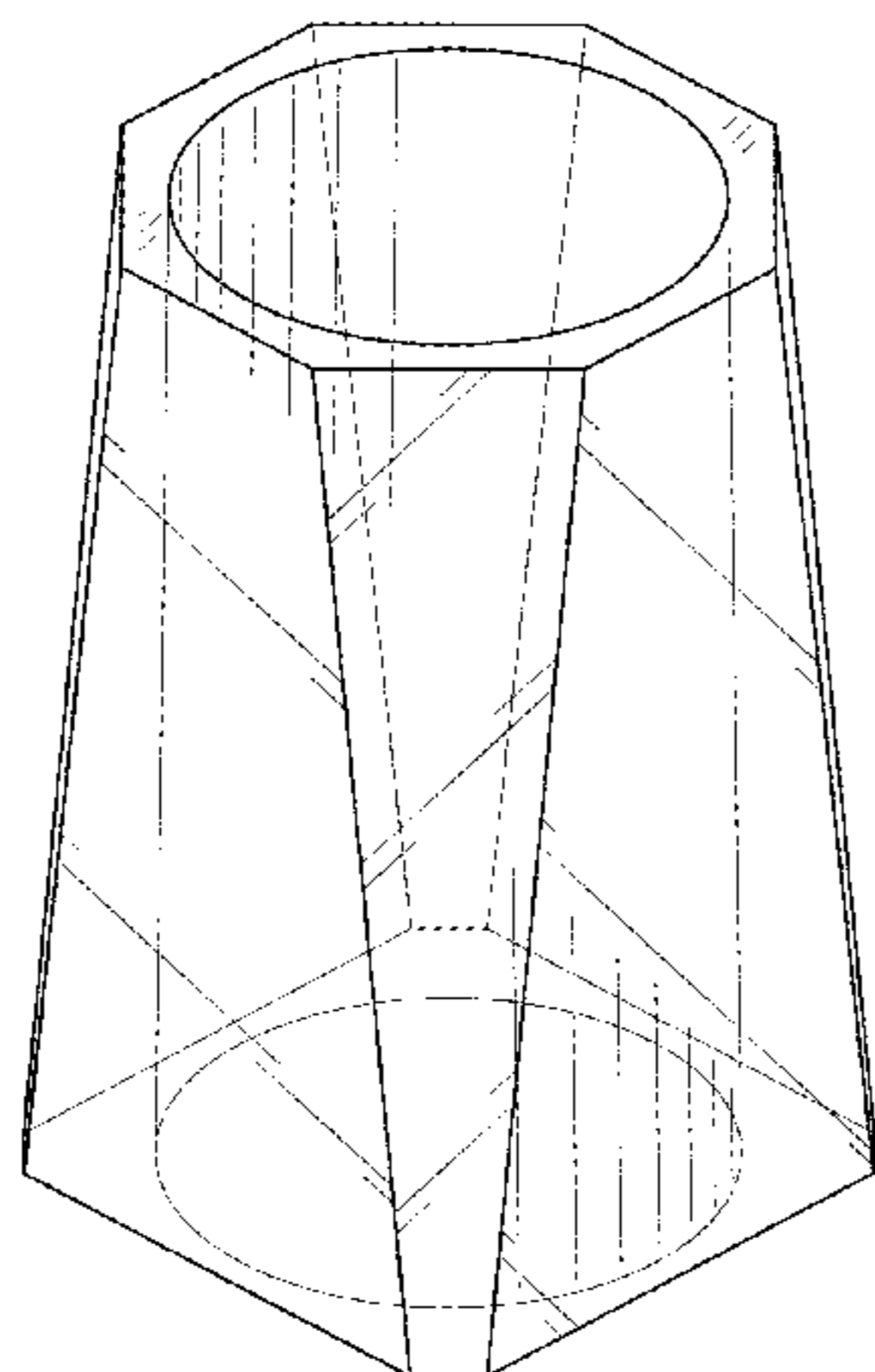
FIG. 9 is a front view thereof, it being understood that the back view not shown is a mirror image thereof;

FIG. 10 is a right side view thereof, it being understood that the left view not shown is a mirror image thereof;

FIG. 11 is a top plan view thereof; and,

FIG. 12 is a bottom plan view thereof.

1 Claim, 10 Drawing Sheets



(56)

References Cited

U.S. PATENT DOCUMENTS

D355,098	S	*	2/1995	Lin	D7/605
D356,978	S	*	4/1995	Rahr	D11/143
D356,979	S	*	4/1995	Rahr	D11/143
D358,115	S	*	5/1995	Rahr	D11/143
D391,097	S	*	2/1998	Eichert	D6/678
D419,914	S	*	2/2000	Weder	D11/164
D462,293	S	*	9/2002	Bates	D11/143
D462,294	S	*	9/2002	Walsh	D11/143
D551,967	S	*	10/2007	Hengami	D9/431
D556,512	S	*	12/2007	Mansfield	D7/509
D568,752	S	*	5/2008	Varlet	D9/544
D592,050	S	*	5/2009	Casebasse	D9/431
D592,051	S	*	5/2009	Casebasse	D9/431
D592,502	S	*	5/2009	Casebasse	D9/431
D625,649	S	*	10/2010	Rooney	D11/146
D671,324	S	*	11/2012	Maddadi	D3/314
D694,642	S	*	12/2013	Infahsaeng	D9/559
D713,542	S	*	9/2014	LaFaver	D24/224
D747,972	S	*	1/2016	Allan	D9/682
D748,488	S	*	2/2016	Nieves	D9/546
D750,960	S	*	3/2016	Murray	D9/432
D767,488	S	*	9/2016	Esses	D13/107
D799,754	S	*	10/2017	Chertoff	D28/85
D810,346	S	*	2/2018	Genovese	D26/86
D810,582	S	*	2/2018	Lee	D9/694
D823,007	S	*	7/2018	Nicoline	D4/138
D824,223	S	*	7/2018	Zoske	D7/679
D825,791	S	*	8/2018	Patti	D26/9
D828,031	S	*	9/2018	Bloomfield	D3/302
2003/0019776	A1	*	1/2003	Matsuguchi	B23K 9/1333 206/443

* cited by examiner

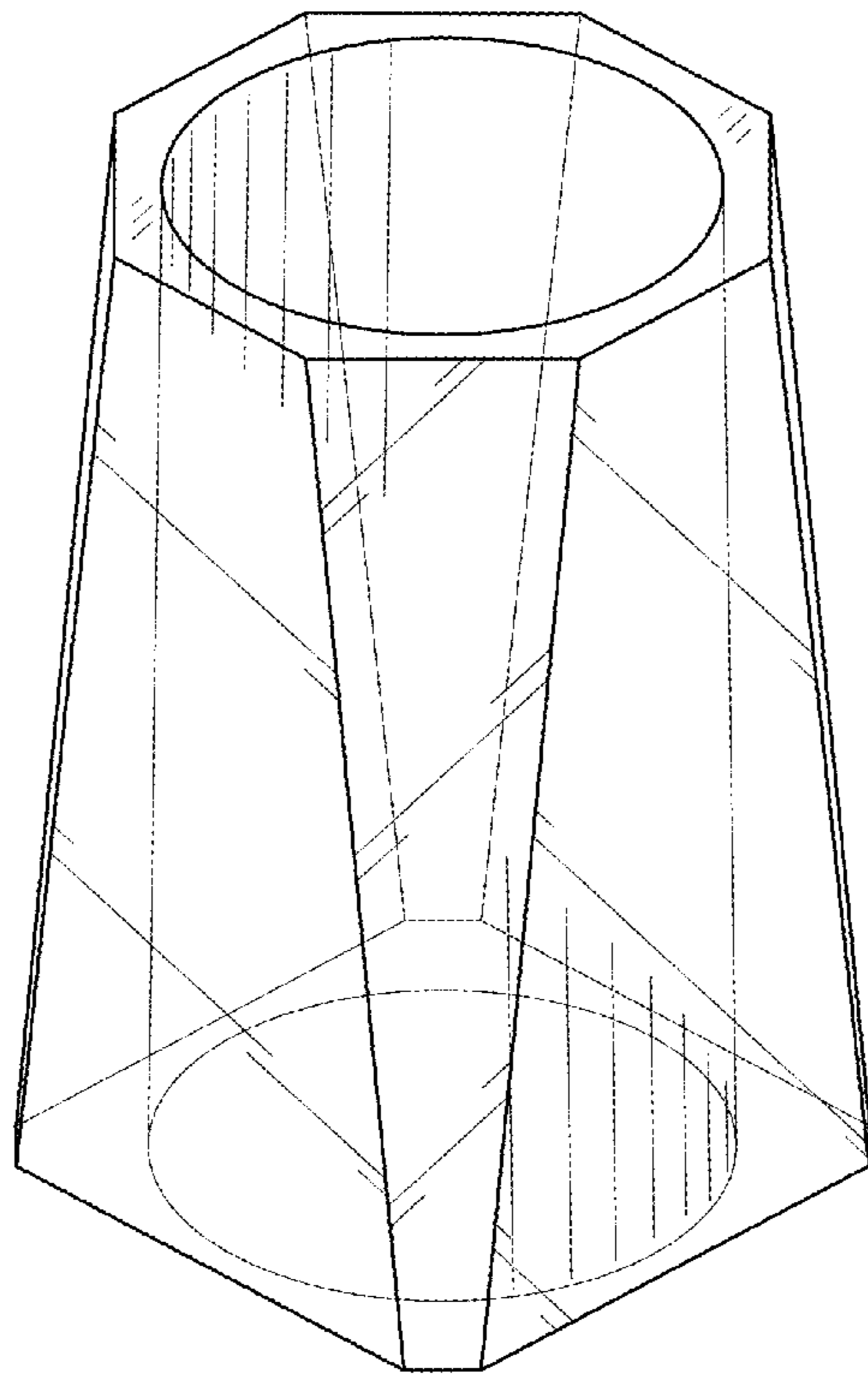


FIG. 1

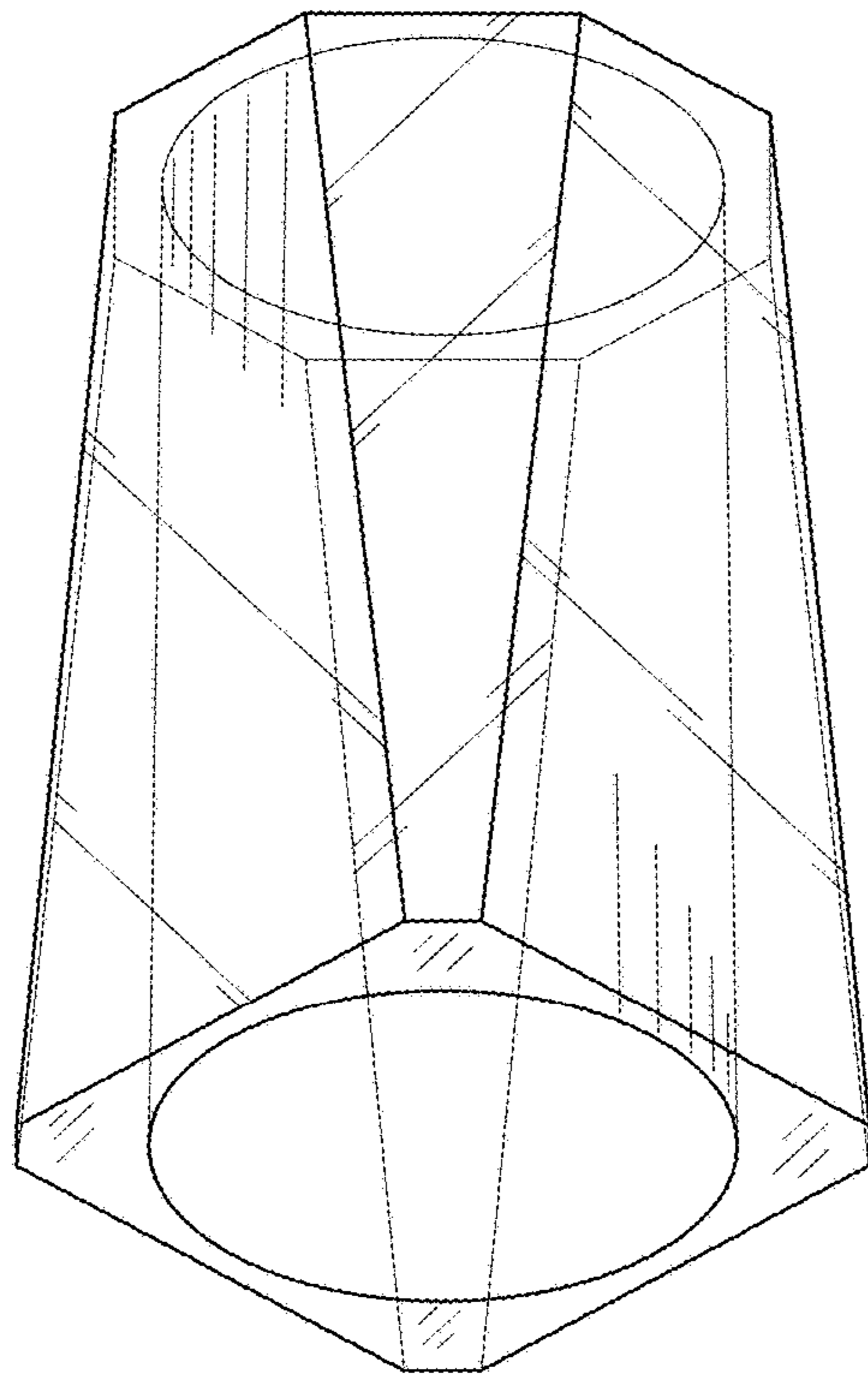


FIG. 2

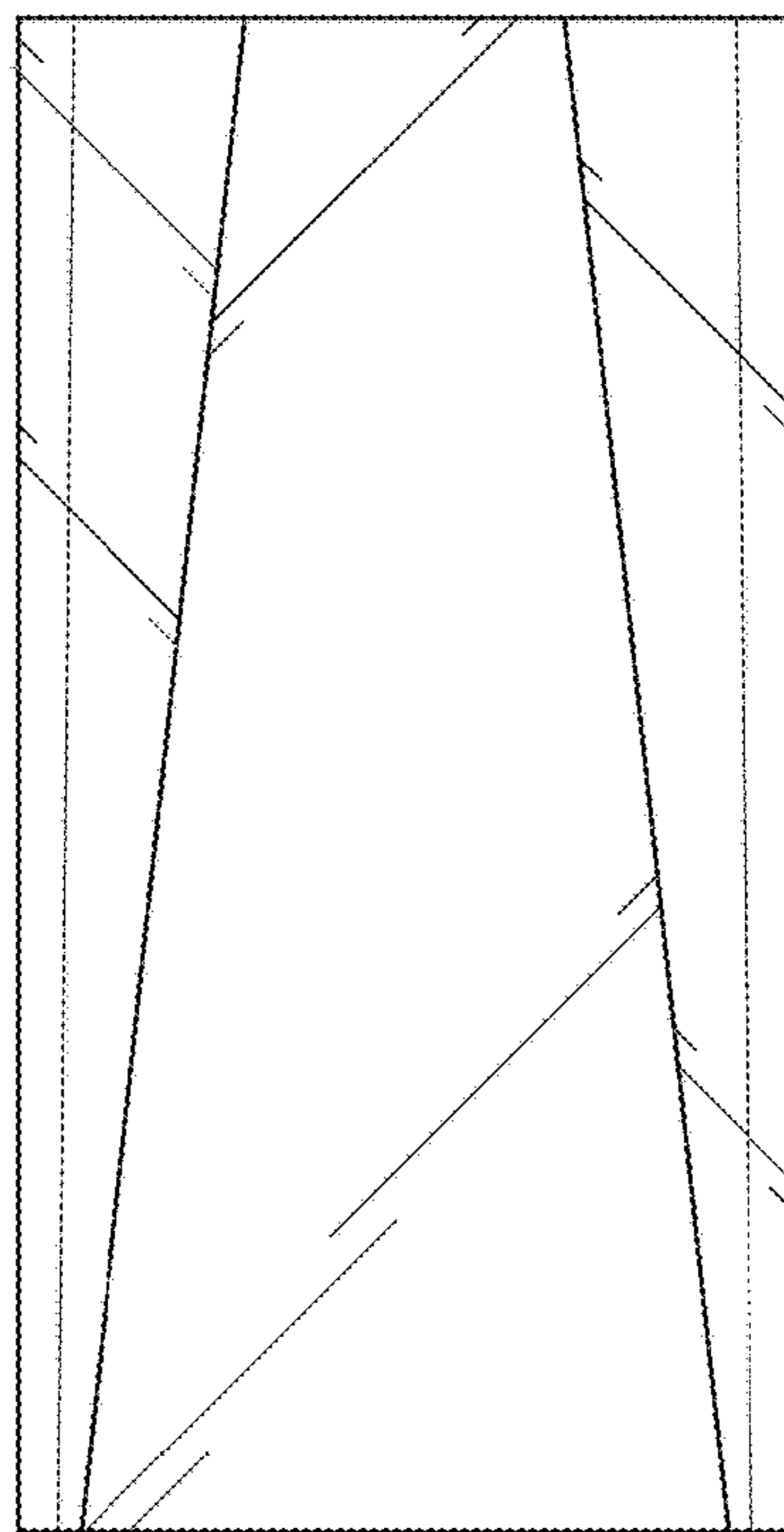


FIG.3

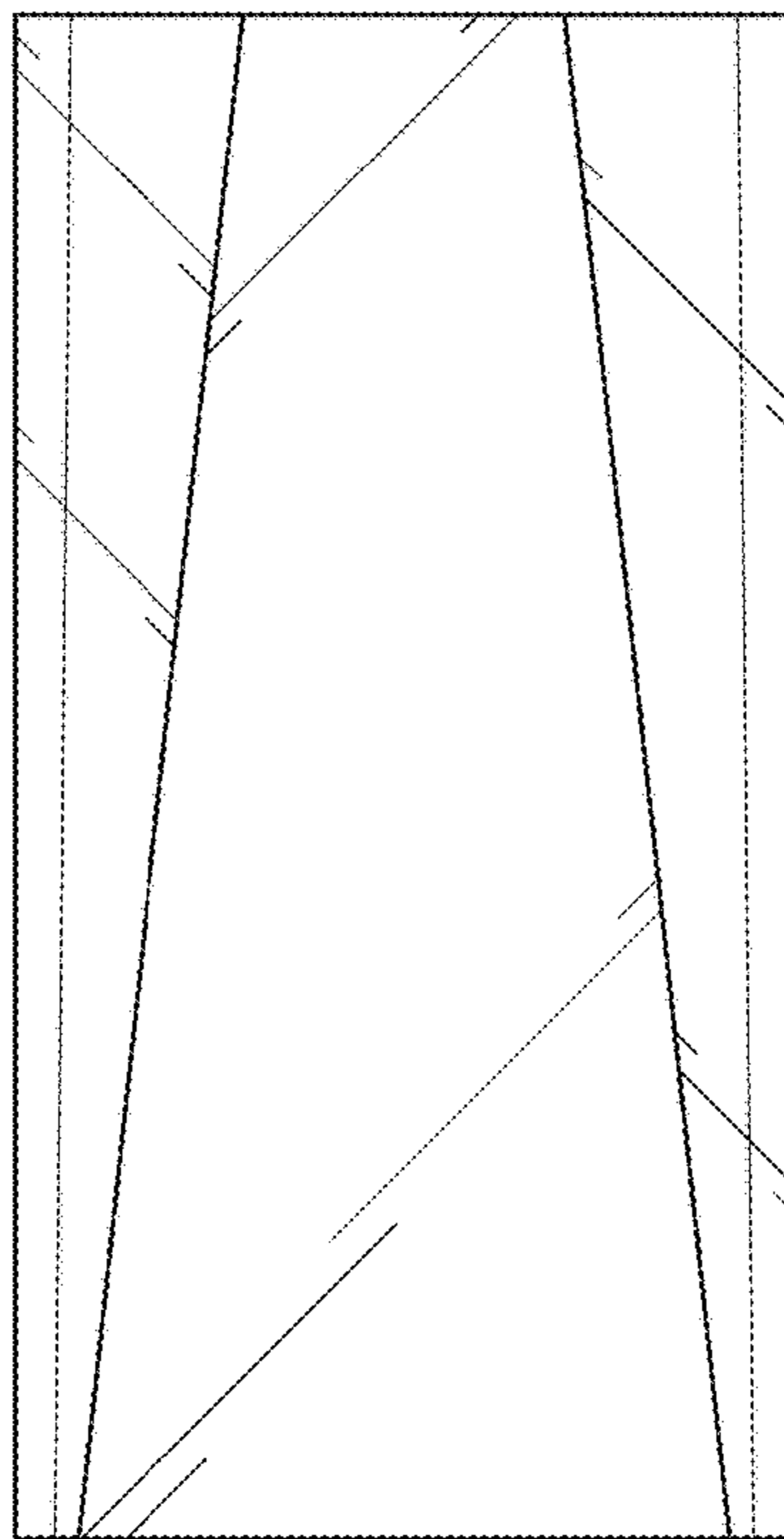


FIG.4

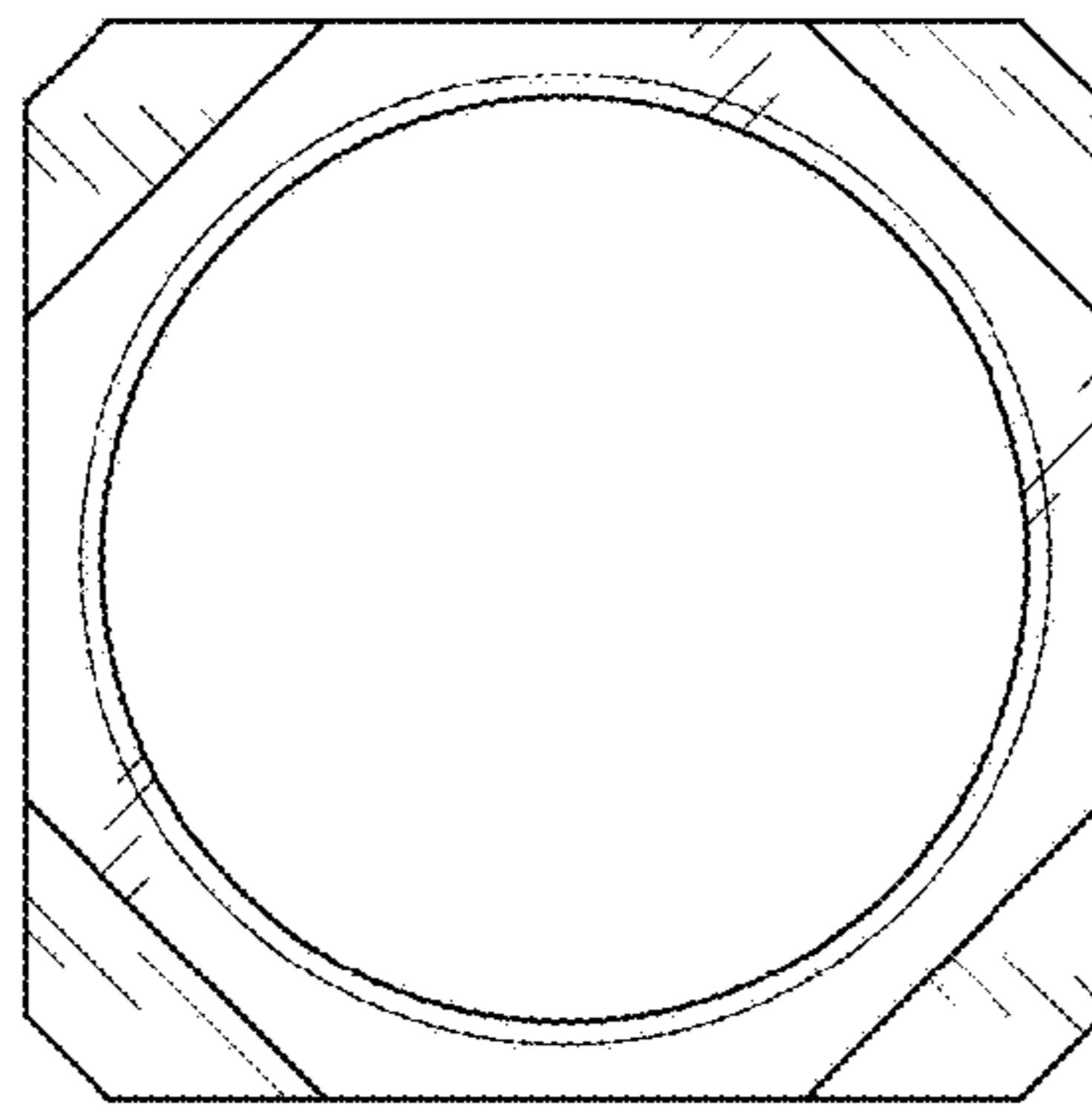


FIG. 5

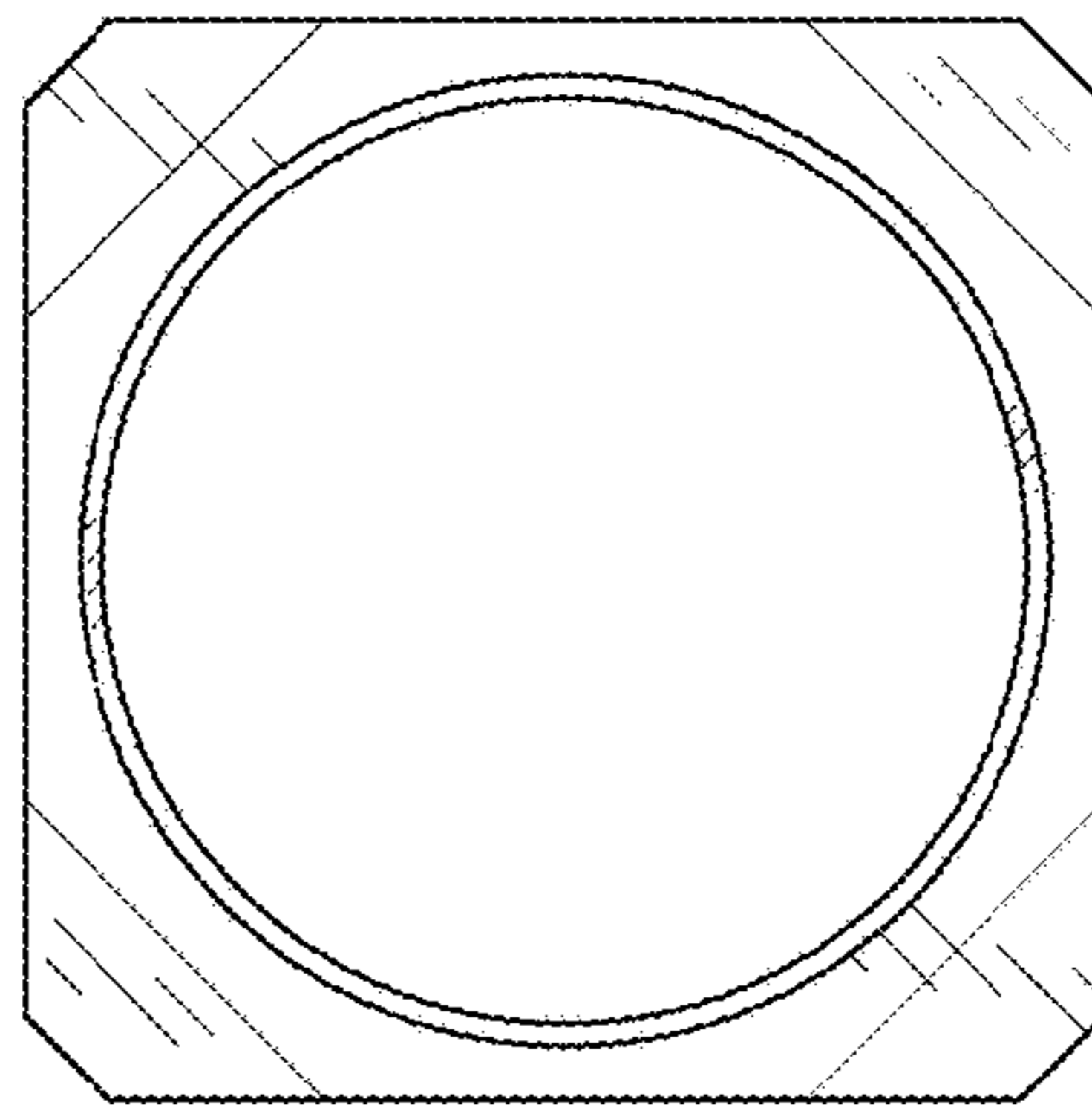


FIG. 6

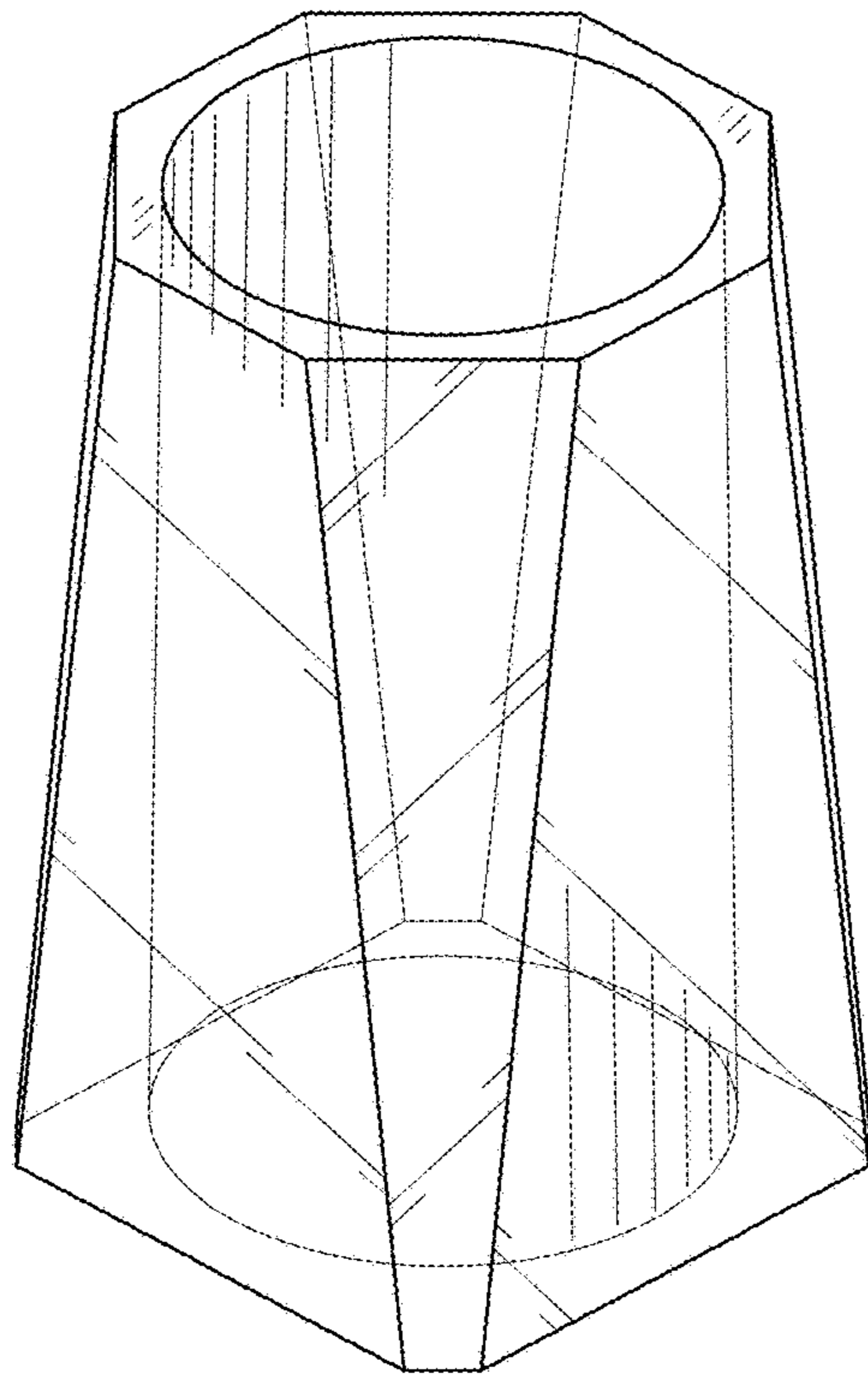


FIG. 7

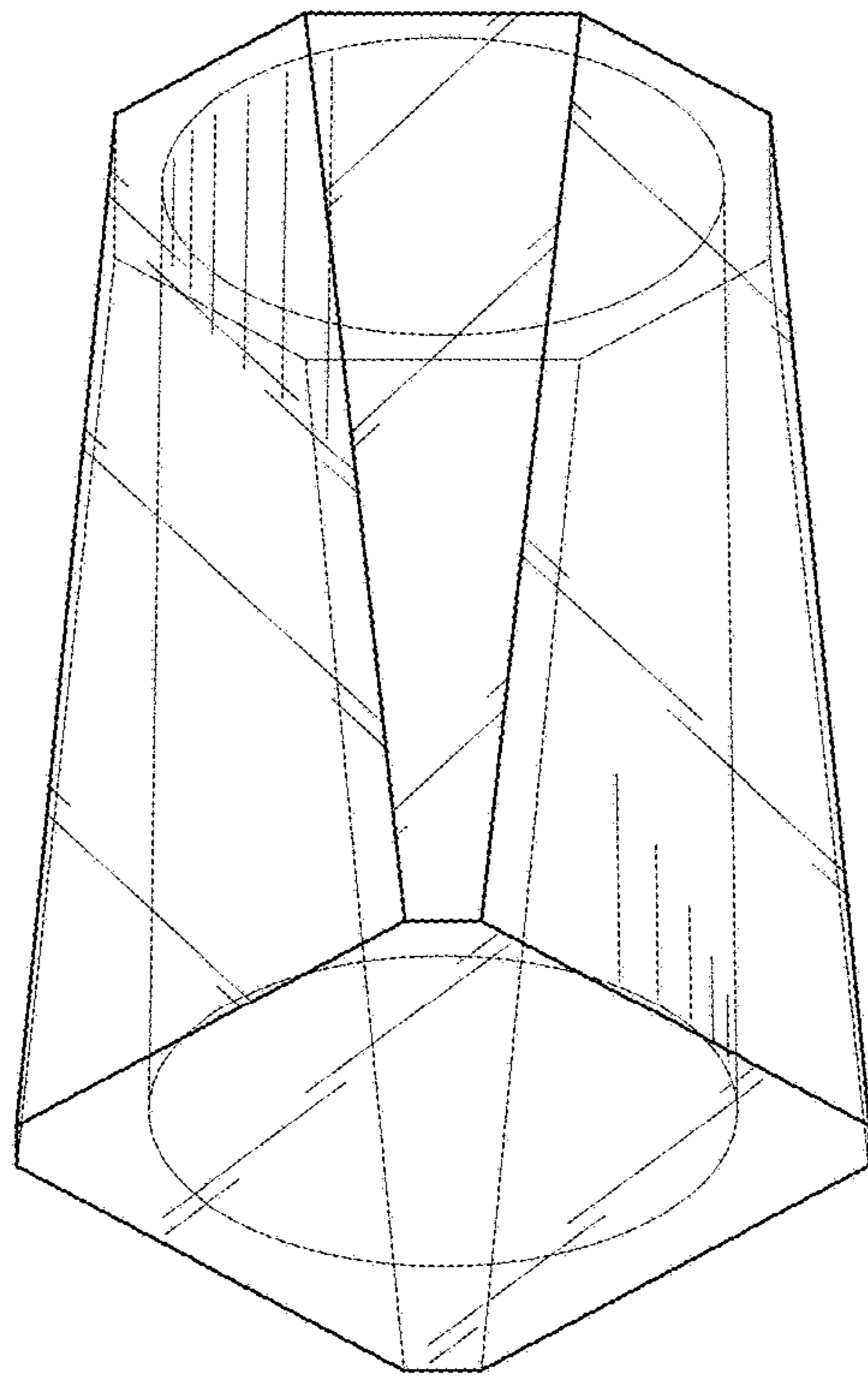


FIG. 8

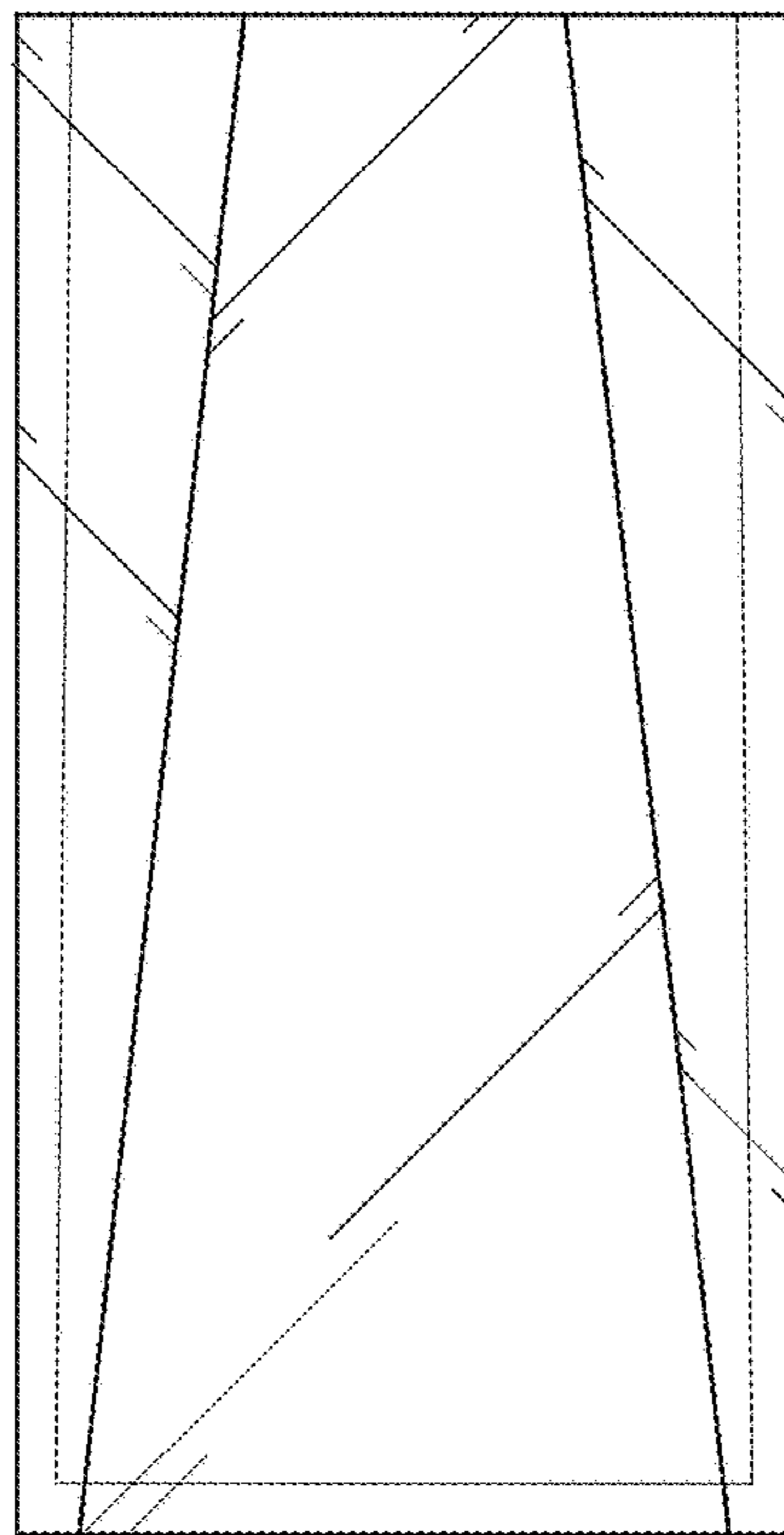


FIG.9

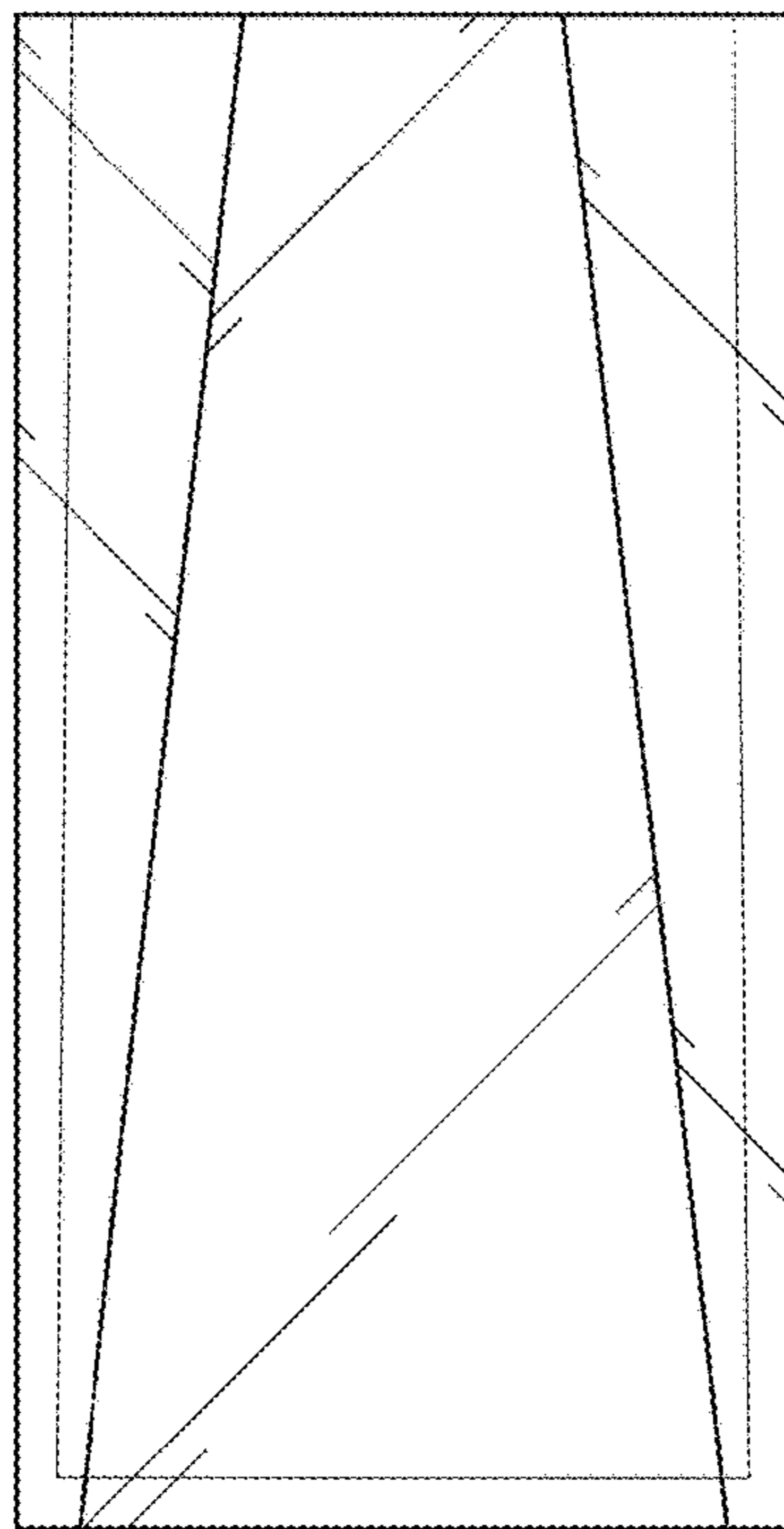


FIG.10

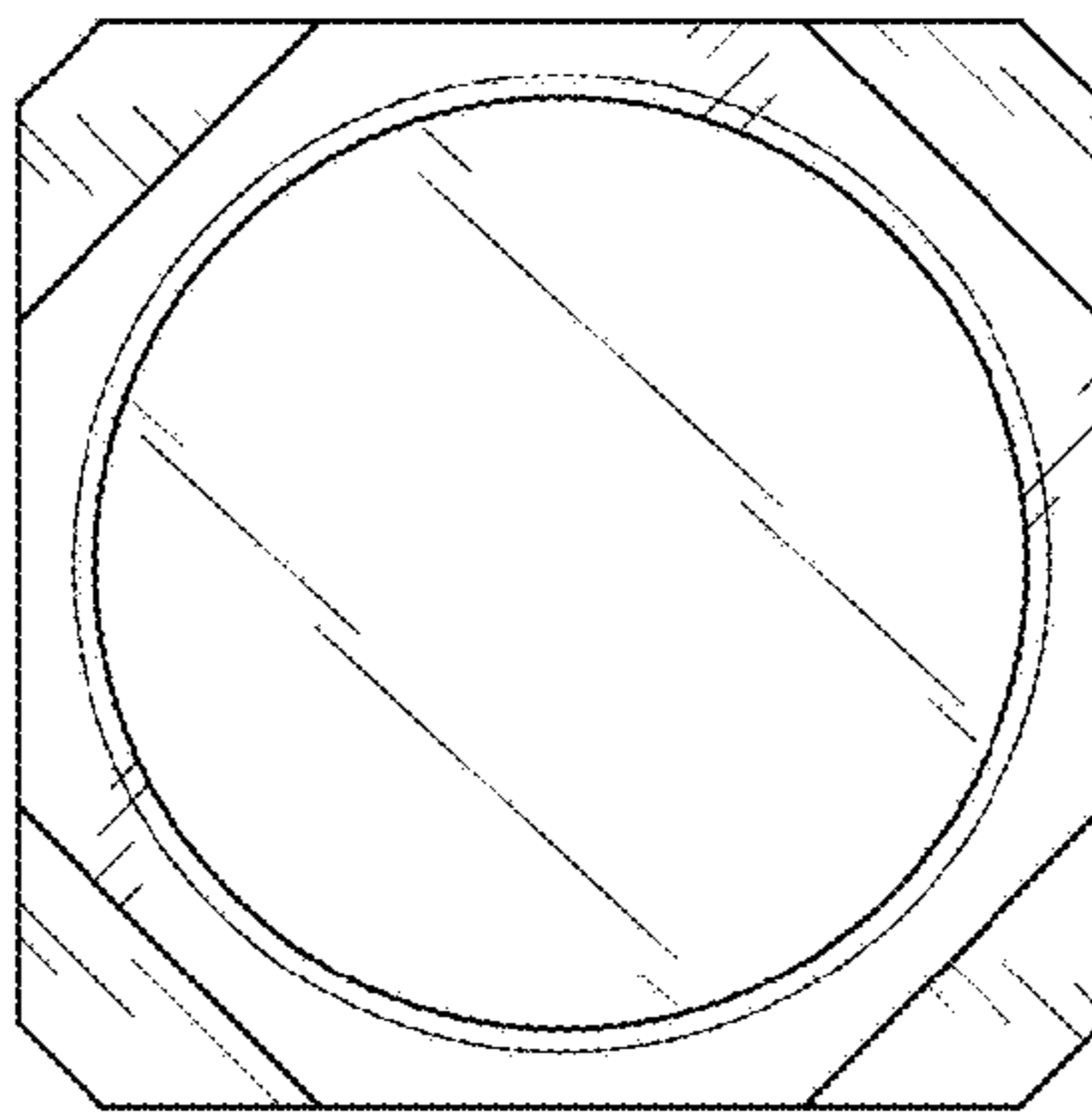


FIG. 11

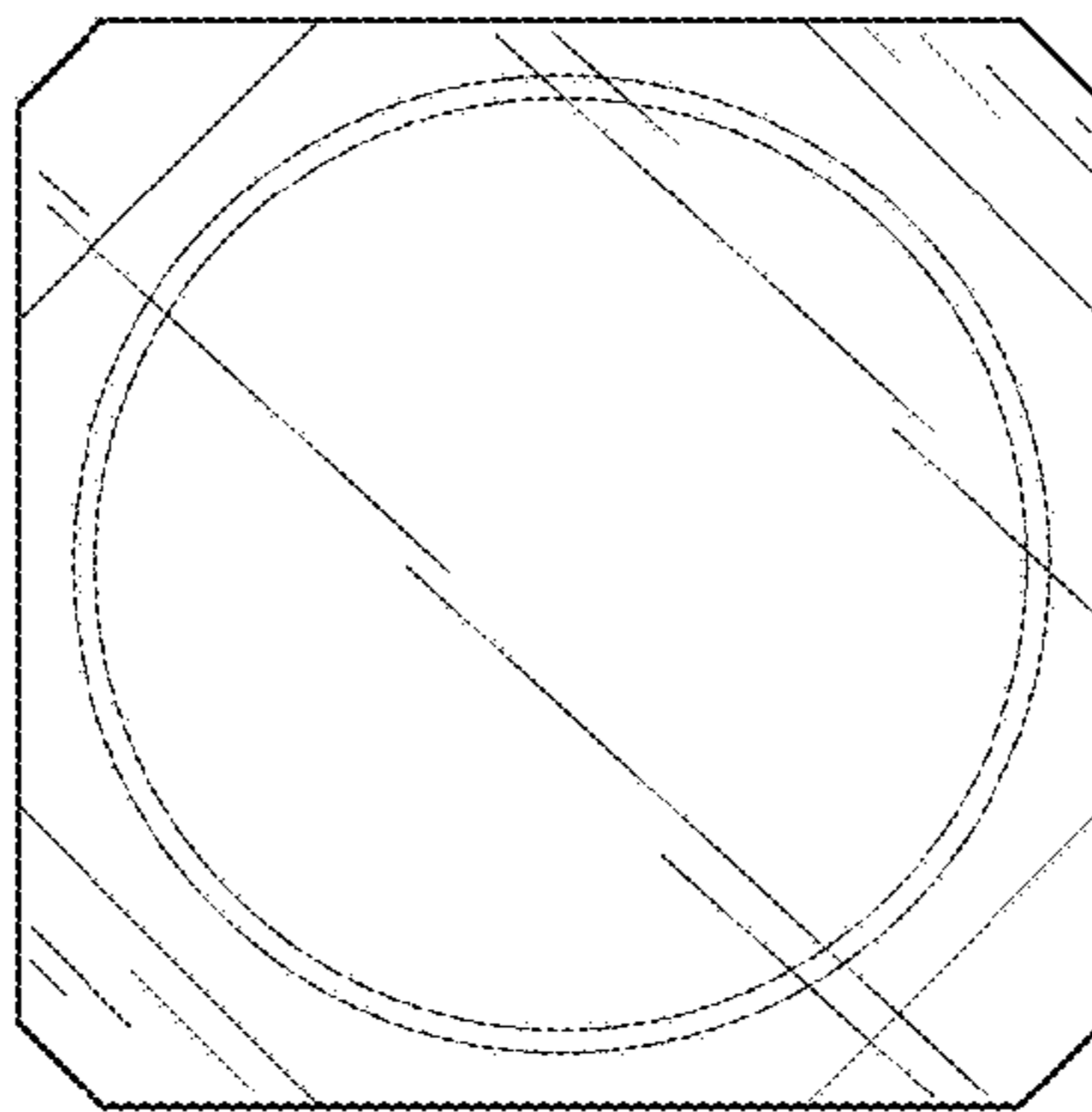


FIG. 12