



US00D845547S

(12) **United States Design Patent** (10) **Patent No.:** **US D845,547 S**
Kim (45) **Date of Patent:** **** Apr. 9, 2019**

(54) **NAIL CLIPPERS**
(71) Applicant: **Three Seven Corporation**, Cheonan-si,
Chungcheongnam-do (KR)
(72) Inventor: **Sang Mug Kim**, Cheonan-si (KR)
(73) Assignee: **Three Seven Corporation** (KR)
(**) Term: **15 Years**

(21) Appl. No.: **29/629,087**
(22) Filed: **Dec. 11, 2017**
(51) **LOC (11) Cl.** **28-03**
(52) **U.S. Cl.**
USPC **D28/60**
(58) **Field of Classification Search**
USPC D28/60
CPC A45D 29/02–29/023
See application file for complete search history.

(56) **References Cited**

U.S. PATENT DOCUMENTS

D198,660 S * 7/1964 Britton D28/60
D292,328 S 10/1987 Gamble
D313,874 S 1/1991 Schulz
5,063,666 A * 11/1991 Tsay A45D 29/02
132/75.5
D364,246 S 11/1995 Conerly
5,488,772 A 2/1996 Dababneh et al.
D384,773 S * 10/1997 Dunn D28/60
D391,679 S 3/1998 Harrison et al.
D394,731 S 5/1998 Lee
6,009,880 A 1/2000 Weidlich
D483,154 S * 12/2003 Kim D28/60
D522,177 S 5/2006 Legras De Grandcourt
D559,463 S * 1/2008 Garland D28/60
D562,499 S 2/2008 Park
D581,098 S 11/2008 Fiene et al.
D593,712 S 6/2009 Han et al.
D788,370 S 5/2017 Cho et al.
9,693,617 B2 * 7/2017 LaTorre A45D 29/023
2002/0178585 A1 * 12/2002 Yang A45D 29/02
30/28

2005/0160604 A1 * 7/2005 Di Bitonto A45D 29/02
30/28
2011/0061668 A1 * 3/2011 Saenim A45D 29/023
132/200
2016/0279766 A1 9/2016 Hussain et al.

FOREIGN PATENT DOCUMENTS

CA 2 265 004 9/2000
WO 2016 093 454 6/2016

OTHER PUBLICATIONS

Smart Clipper with Catcher, Google Image Search for “Nail Clipper with Catcher,” 1 page, downloaded Jan. 24, 2017.
Sekl Nail Clipper, www.ebay.com, 1 page, downloaded Jan. 24, 2017.
Tweezerman Nail Clipper, www.tweezerman.com, 1 page, downloaded Jan. 24, 2017.

* cited by examiner

Primary Examiner — Jennifer Rivard

(74) *Attorney, Agent, or Firm* — Emerson Thomson
Bennett; Daniel A. Thomson

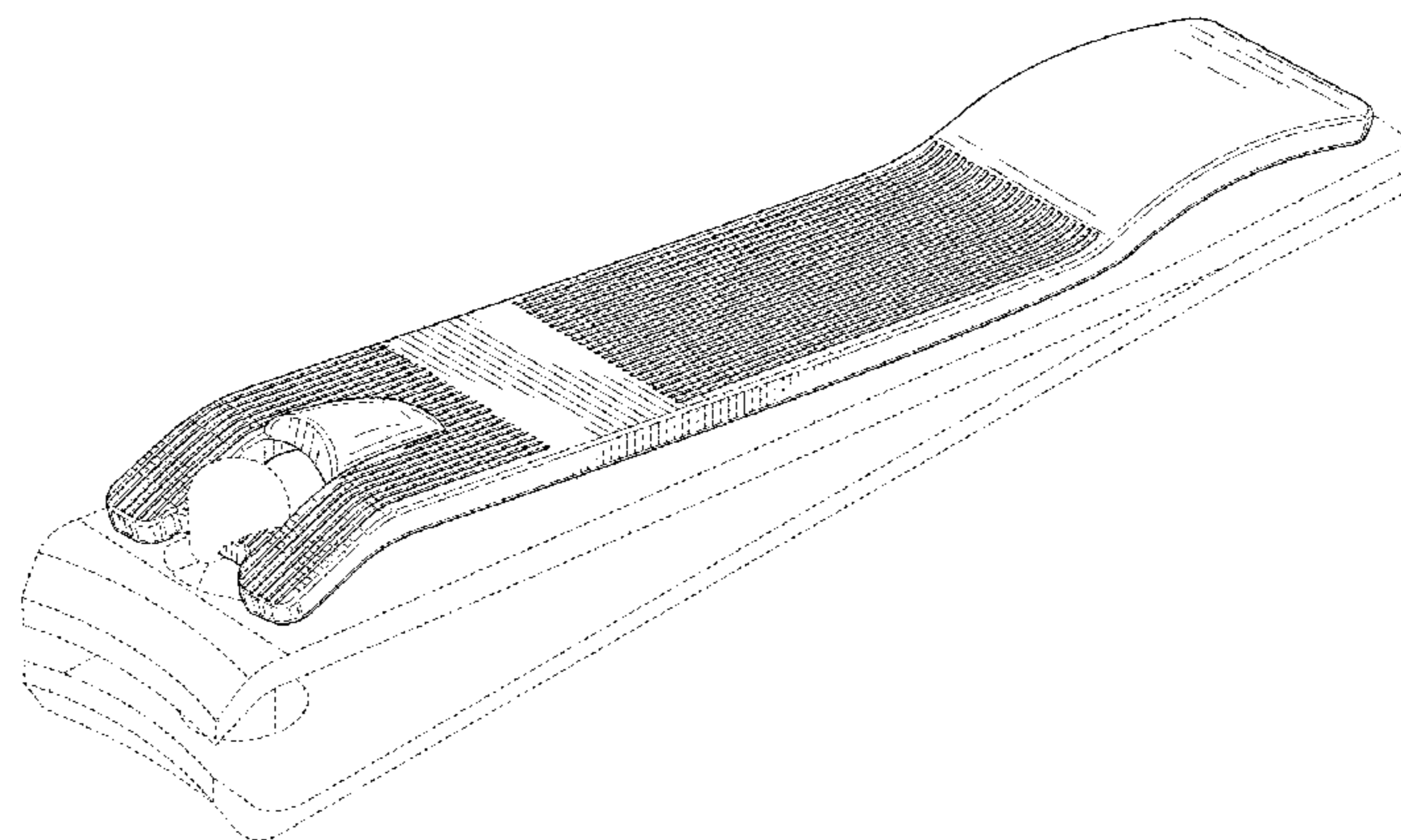
(57) **CLAIM**

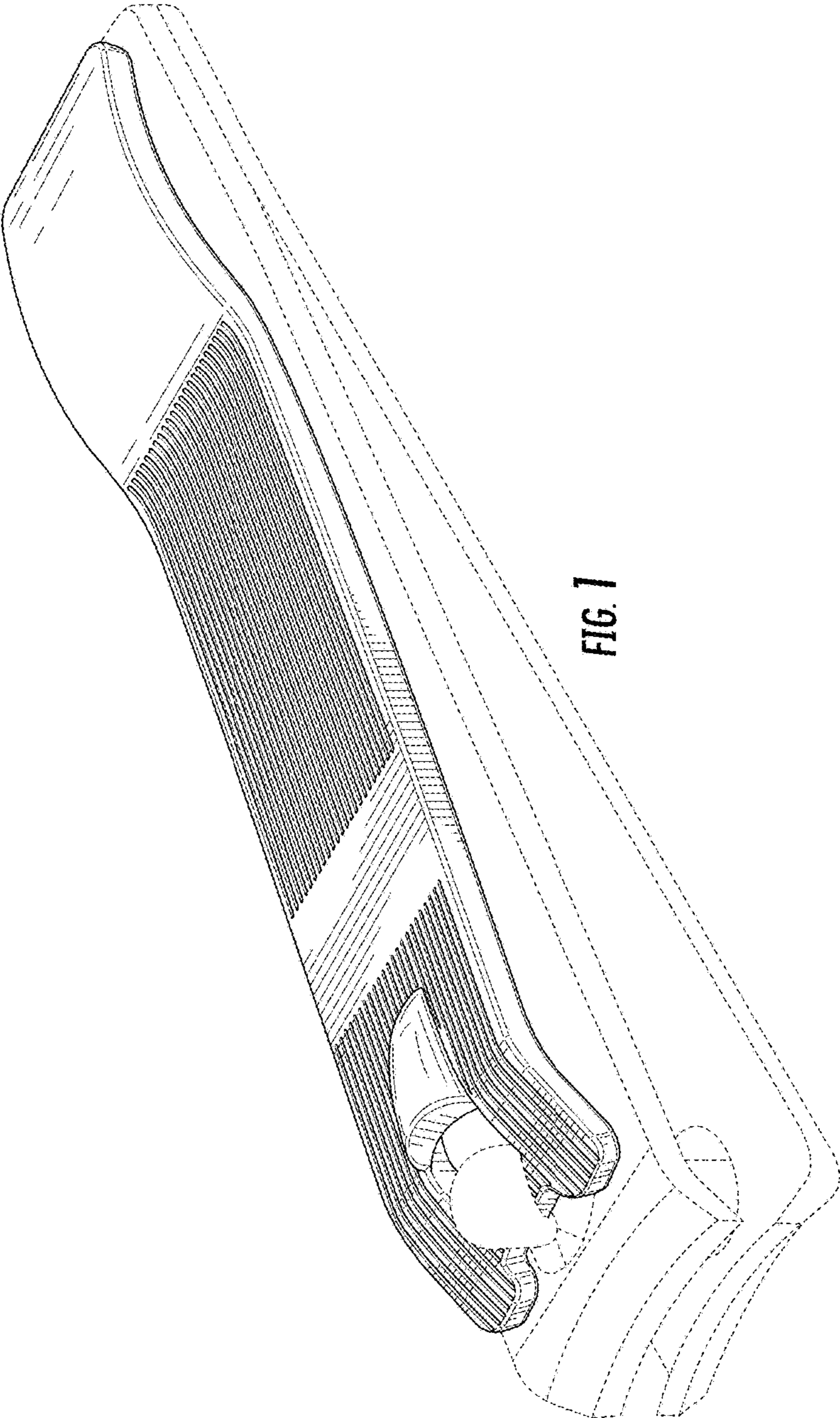
The ornamental design for nail clippers, as shown and described.

DESCRIPTION

FIG. 1 is a perspective view of the nail clippers;
FIG. 2 is a left side view of the nail clippers;
FIG. 3 is a right side view of the nail clippers;
FIG. 4 is a rear view of the nail clippers;
FIG. 5 is a front view of the nail clippers;
FIG. 6 is a top plan view of the nail clippers; and,
FIG. 7 is a bottom view of the nail clippers.
The broken lines illustrates portions of the nail clippers that form no part of the claimed design.

1 Claim, 4 Drawing Sheets





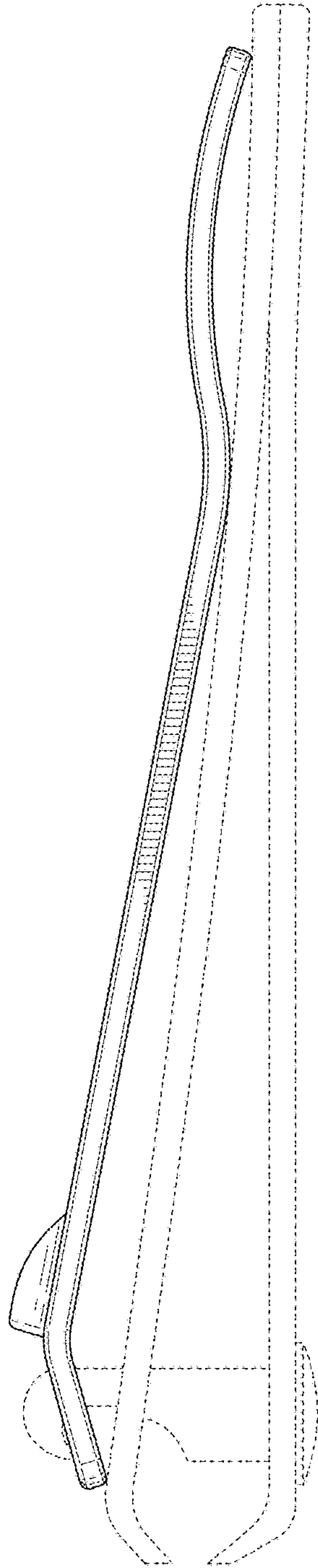


FIG. 2

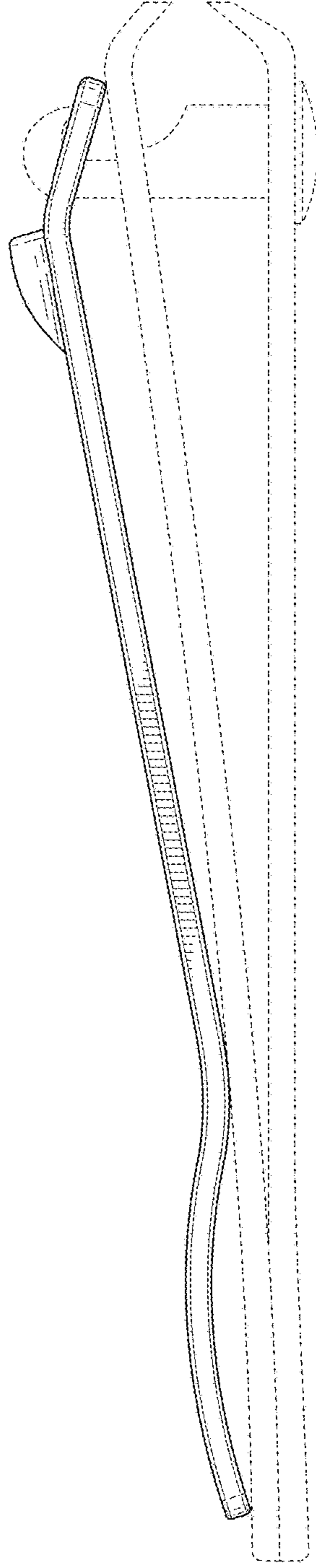


FIG. 3

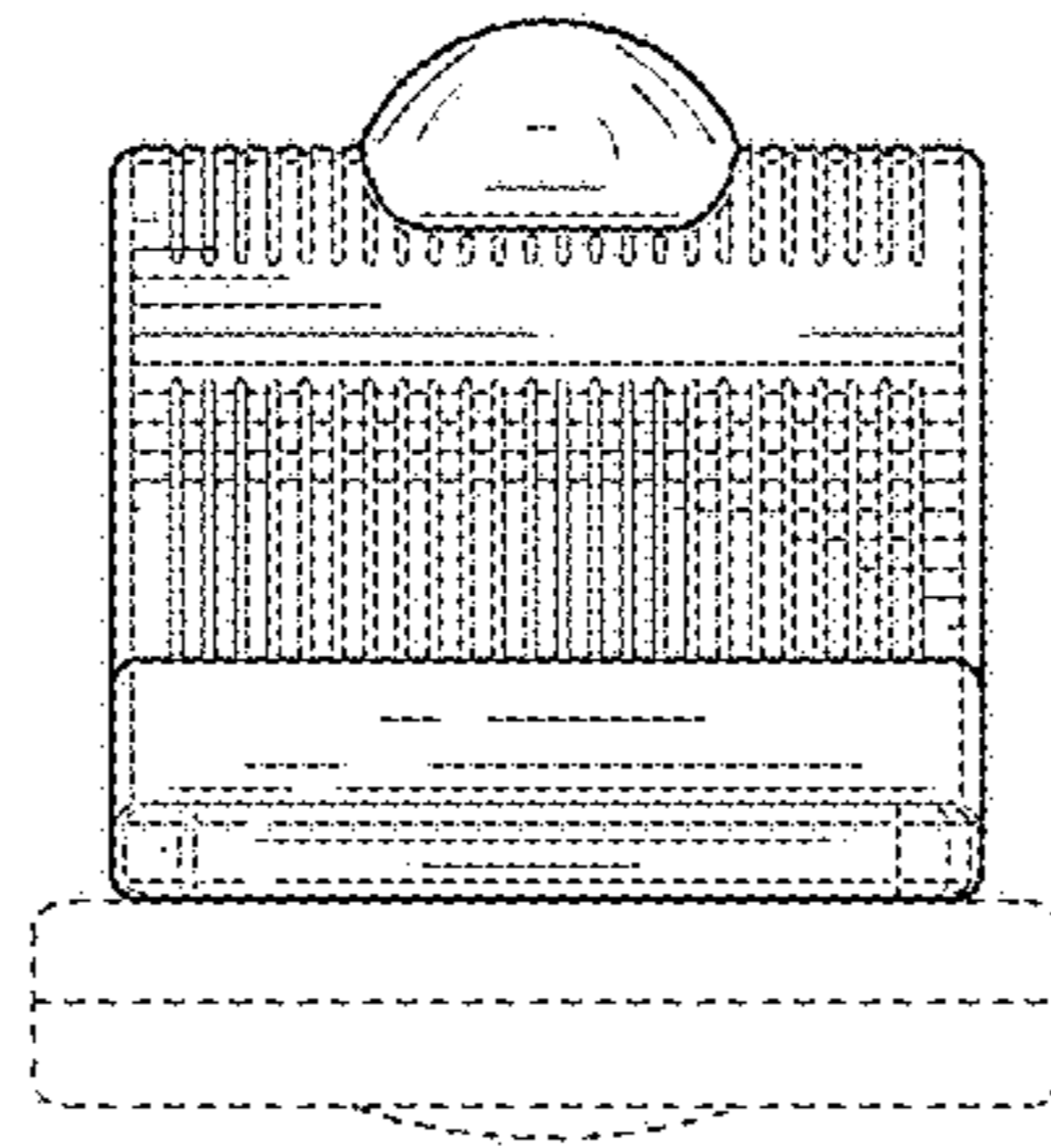


FIG. 4

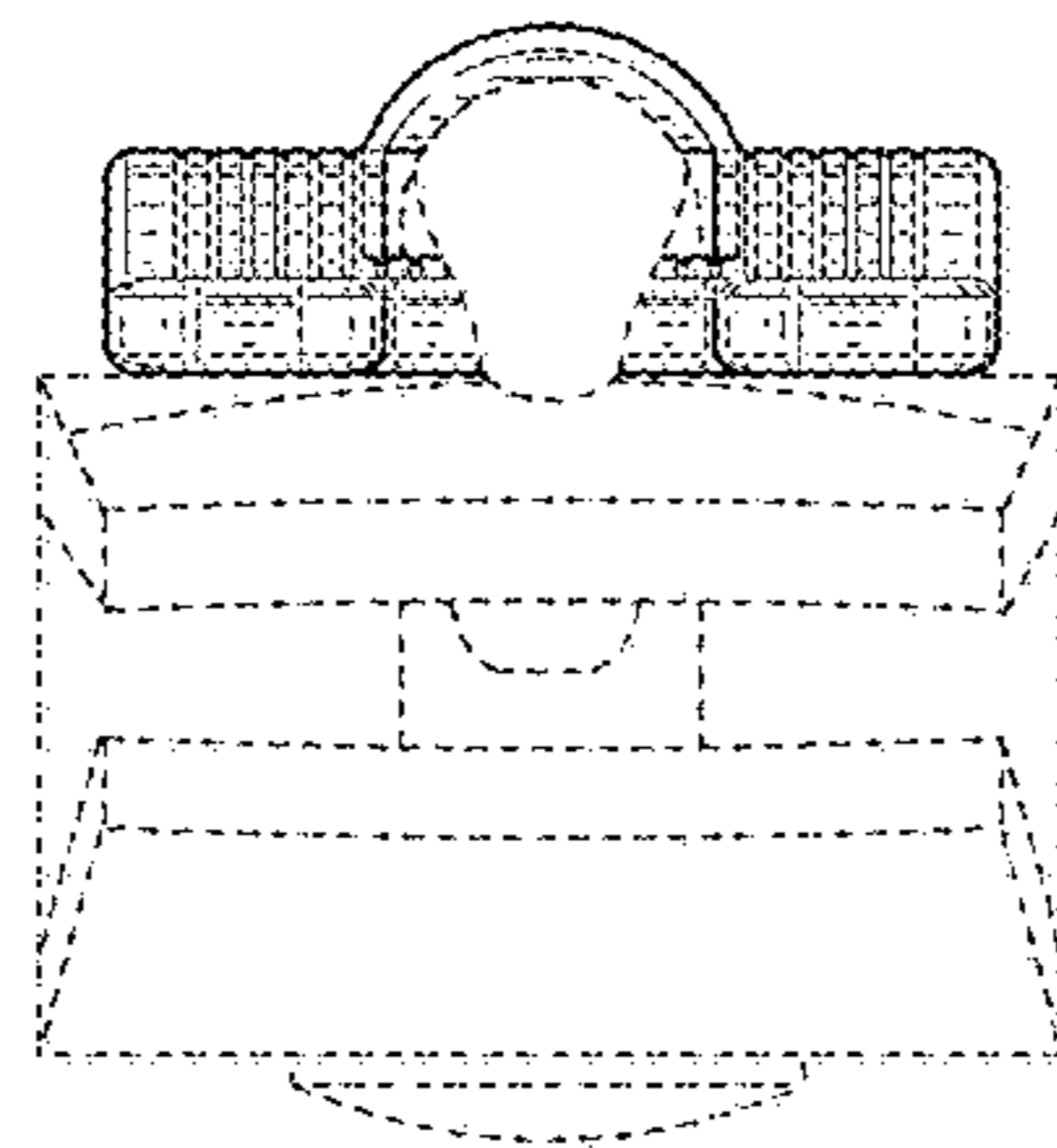


FIG. 5

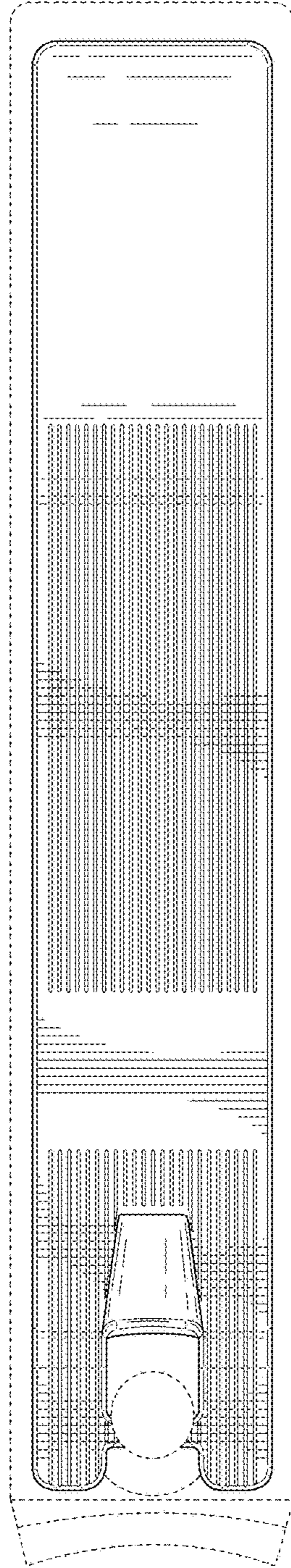


FIG. 6

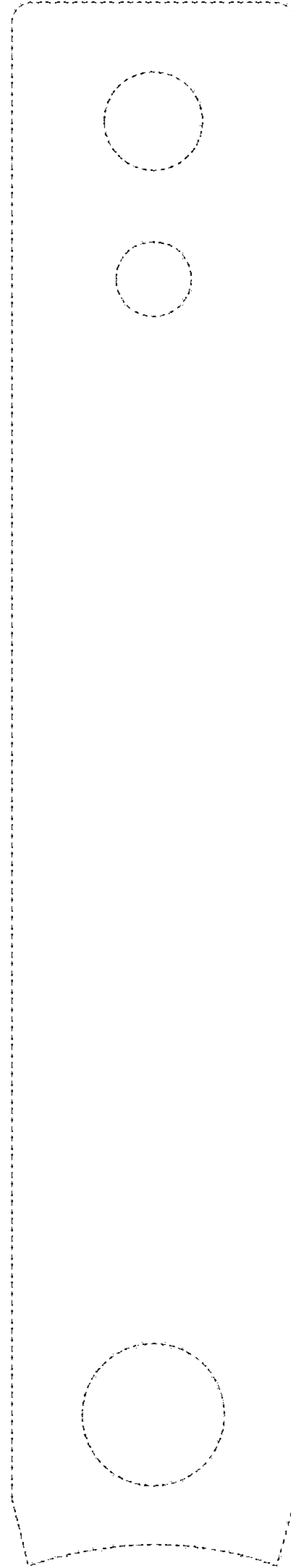


FIG. 7