



US00D845545S

(12) **United States Design Patent** (10) **Patent No.:** **US D845,545 S**
Mishan (45) **Date of Patent:** **** Apr. 9, 2019**

(54) **ROTARY SHAVER**

4,847,996 A 7/1989 Blykharov
5,007,168 A 4/1991 Messinger et al.
5,111,580 A 5/1992 Bosscha et al.

(71) Applicant: **E. MISHAN & SONS, INC.**, New York, NY (US)

(Continued)

(72) Inventor: **Steven Mishan**, New York, NY (US)

FOREIGN PATENT DOCUMENTS

(73) Assignee: **E. MISHAN & SONS, INC.**, New York, NY (US)

CN 3003466 S 4/1989
CN 3009140 S 4/1991

(Continued)

(**) Term: **15 Years**

OTHER PUBLICATIONS

(21) Appl. No.: **29/660,445**

www.skullshaver.com, Butterfly shaver, reviewed Sep. 12, 2015, 1 page.*

(22) Filed: **Aug. 21, 2018**

(Continued)

(51) **LOC (11) Cl.** **28-03**

Primary Examiner — Jennifer Rivard

(52) **U.S. Cl.**

(74) *Attorney, Agent, or Firm* — Notaro, Michalos & Zaccaria P.C.

USPC **D28/54**; D28/50

(58) **Field of Classification Search**

USPC D28/48, 49–54

CPC ... B26B 19/3853–19/386; B26B 19/00; B26B

19/14–19/18

See application file for complete search history.

(57) **CLAIM**

The ornamental design for a rotary shaver, as shown and described.

DESCRIPTION

(56) **References Cited**

FIG. 1 is a right side elevational view of a rotary shaver showing my design therefor;

U.S. PATENT DOCUMENTS

2,263,372 A	11/1941	Verner
2,952,909 A	9/1960	Vaes
3,032,873 A	5/1962	Vaes
3,069,772 A	12/1962	Roessing
3,281,936 A	11/1966	De Haan et al.
D208,142 S	7/1967	Schellens
D219,901 S	2/1971	van Lelyveld
D225,487 S	12/1972	Yran
D238,826 S	2/1976	van Lelyveld
D239,144 S	3/1976	van Lelyveld
4,001,932 A	1/1977	Herrick
4,077,120 A	3/1978	Herrick et al.
4,089,110 A	5/1978	Rasco
4,318,223 A	3/1982	Bergsman et al.
4,594,778 A	6/1986	Dona et al.

FIG. 2 is a front elevational view thereof;

FIG. 3 is a left side elevational view thereof;

FIG. 4 is a rear elevational view thereof;

FIG. 5 is a top, right, front perspective view thereof;

FIG. 6 is a top plan view thereof;

FIG. 7 is a top, left, front perspective view thereof;

FIG. 8 is a top, right perspective view thereof;

FIG. 9 is a bottom, left, front perspective view thereof;

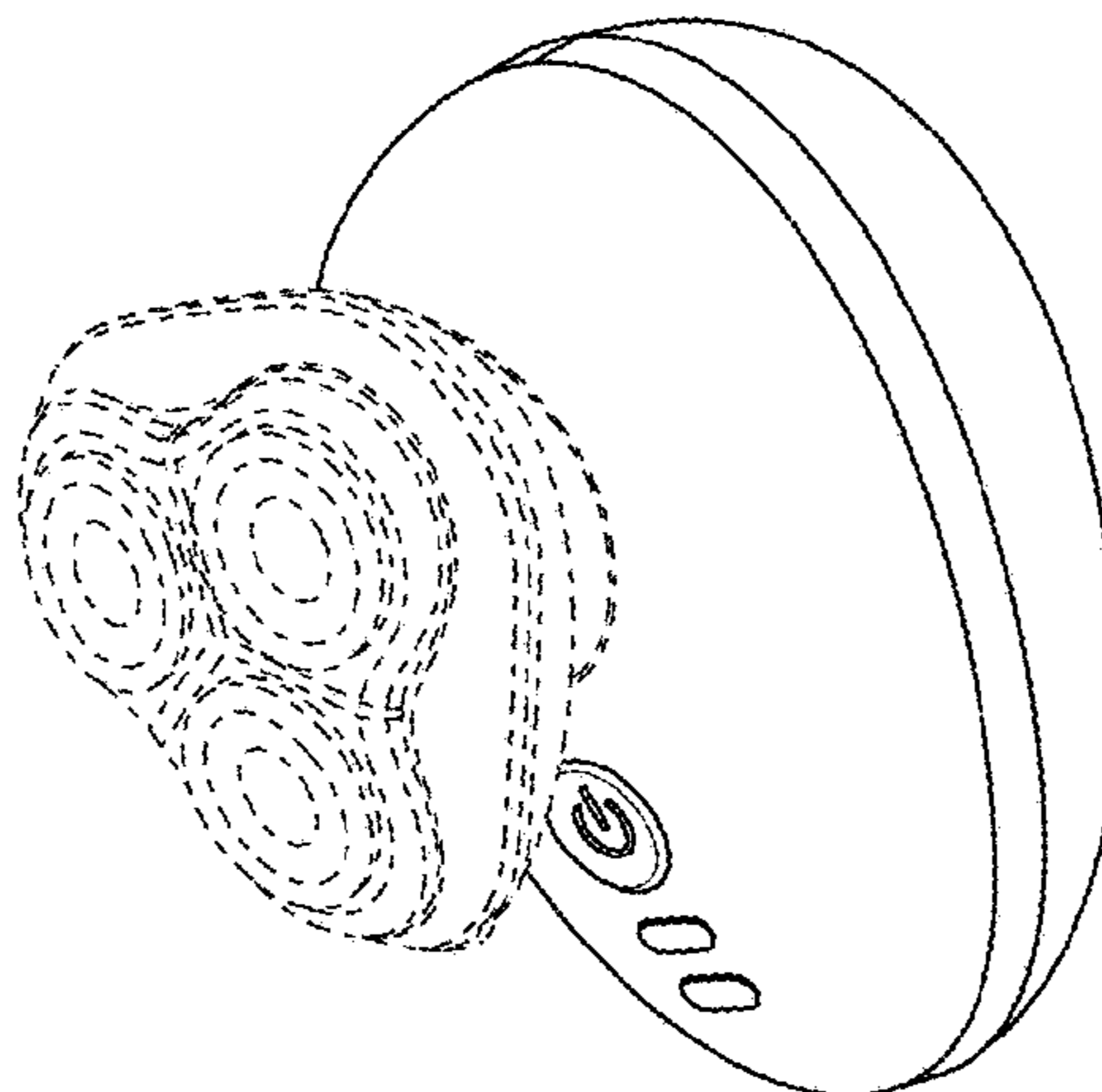
FIG. 10 is a bottom plan view thereof;

FIG. 11 is a bottom, right perspective view thereof; and,

FIG. 12 is a bottom, right, side perspective view thereof.

The broken lines illustrate portions of the rotary shaver that form no part of the claimed design.

1 Claim, 8 Drawing Sheets



(56)

References Cited

U.S. PATENT DOCUMENTS

D326,738	S	6/1992	Mauro	
5,625,950	A	5/1997	Sterk et al.	
6,226,870	B1	5/2001	Barish	
6,354,005	B1	3/2002	Bosch	
6,584,691	B1	7/2003	Gerasimov et al.	
7,020,965	B2	4/2006	Bao et al.	
D528,701	S	9/2006	Oh	
D534,317	S	12/2006	Oh	
D558,924	S *	1/2008	Cafaro	D28/52
7,472,483	B2	1/2009	Beugels	
7,530,171	B2	5/2009	Baron et al.	
D601,301	S	9/2009	Bao	
8,220,157	B2	7/2012	Shimizu	
8,296,954	B2	10/2012	Schneider et al.	
D672,504	S	12/2012	Lyles	
D693,060	S *	11/2013	Lyles	D28/50
8,726,528	B2	5/2014	Lyles	
D717,492	S *	11/2014	Kulshreshtha	D28/53
9,009,978	B2	4/2015	Schneider et al.	
9,027,251	B2	5/2015	Schmitt et al.	
9,126,345	B2	9/2015	Darwinkel et al.	
9,801,448	B1	10/2017	Jakubow	
D803,480	S *	11/2017	Wong	D28/53
D824,104	S *	7/2018	Boulanger	D28/51
2006/0156550	A1	7/2006	Beugels et al.	
2006/0179657	A1	8/2006	Van Der Linden et al.	
2007/0124936	A1	6/2007	Okabe	
2007/0256302	A1	11/2007	Okabe	
2008/0072429	A1	3/2008	Uchiyama	
2008/0134513	A1	6/2008	Oh	
2010/0146791	A1	6/2010	Oh	
2012/0227266	A1	9/2012	Meijer et al.	
2015/0224654	A1	8/2015	Steur	
2017/0036361	A1 *	2/2017	Bushell	B26B 21/521
2017/0368699	A1	12/2017	Schuebel et al.	
2017/0368700	A1	12/2017	Fischer et al.	

FOREIGN PATENT DOCUMENTS

CN	3441584	4/2005
CN	300692849	9/2007
CN	302012809 S	7/2012
CN	302744067 S	5/2013
CN	302954801 S	7/2013
CN	201330363440	1/2014
CN	302817457 S	5/2014
CN	302954802 S	10/2014
CN	303614587 S	3/2016
CN	201530400119	3/2016
CN	303650247 S	4/2016
CN	303891897 S	10/2016
CN	303891923 S	10/2016
CN	201630549063	6/2017
CN	304224835 S	7/2017
CN	201730062568	7/2017
CN	304463393 S	1/2018
CN	201730413010	1/2018
CN	201730396678	4/2018
CN	304615256 S	5/2018
CN	304615257 S	5/2018
CN	201730619307	5/2018
CN	201730619862	5/2018
CN	304680119 S	6/2018
CN	304691395 S	6/2018
CN	201730570894	6/2018

CN	201730658347	6/2018
CN	304733870 S	7/2018
CN	201830088790	7/2018
EM	1307607	12/2011
EP	5255841-0003 S	5/2018
EP	5513884-0001 S	7/2018
GB	6019234	9/2017
TW	D176747 S	6/2016

OTHER PUBLICATIONS

Cenove, Flawlessly Women's Painless Hair Remover, <https://www.amazon.com/dp/B07J5FZV8K>.

Codace, Women's Electric Epilator Portable, <https://jojobay.com/product/women-electric-epilator-portable-multifunctional-safe-body-hair-remover-for-bikini-line-leg-earmpit/>.

DYHQQ, Painless Leg Hair Removal for Women, <https://www.amazon.com/DYHQQ-Painless-Hair-Removal-Women/dp/B07GCLFJPL>.

Ethradia, Women's Leg Hair Removal, <https://www.amazon.com/Ethradia-Removal-Electric-Rechargeable-Painless/dp/B07DRDF2B5/>.

Evio, Women's Legs Hair Removal, <https://www.amazon.com/dp/B07J42RRKD>.

FMK, Women's Legs Hair Removal, <https://www.amazon.com/dp/B07J1WH3VR>.

Great Home, Legs Hair Remover, <https://www.amazon.com/Painless-Replacement-Trimmers-Rechargeable-Instantly/dp/B07D14FKYL>.

Hatteker, Women's Hair Removal, <https://www.amazon.com/Hatteker-Electric-Epilator-Waterproof-Rechargeable/dp/B07C7H4M4B>.

Hayden Ljsu, Hair Remover, <https://www.amazon.com/remover-Painless-Waterproof-Electric-Epilator/dp/B07HCWL5GY>.

Hoyofo, Leg Hair Removal for Women, <https://www.amazon.com/Hoyofo-Removal-Rechargeable-Painless-Underarms/dp/B07KK47PJP>.

Infina, Painless Leg Hair Removal for Women, <https://www.amazon.com/Infina-Womens-Leg-Hair-Removal/dp/B07FPZYDGV>.

Leshare, Painless Women's Electric Hair Removal, <https://www.amazon.com/Painless-Electric-Cordless-FinishingRechargeable/dp/B07GMQNRJD>.

Memovan, Women's Multi-Functional Shaver, <https://www.amazon.com/dp/B07FP9Q6H1>.

NGUP, As Seen Women's Body Hair Removal, <https://www.amazon.com/Removal-Rechargeable-Epilator-Electric-Trimmer/dp/B07G6GDAAW>.

Ozmi, Painless Women's Body Hair Removal, <https://www.amazon.com/Ozmi-Painless-Rechargeable-Electric-Waterproof/dp/B07J41K197>.

P. Jeey, Women's Electric Razor, <https://www.amazon.com/Electric-Painless-Waterproof-Cordless-Bikini-As/dp/B07K6NFY6Z>.

SaikerMan, Women's Flawlessly Hair Removal, <https://www.amazon.com/dp/B07GC794SL>.

SBeauty, Painless Hair Removal for Legs, <https://www.amazon.com/Painless-Removal-Cordless-Electric-Rechargeable/dp/B07F186LSS>.

Sela Beauty, Flawless Legs Wet & Dry Hair Remover by Gentle Her, <https://www.selastores.com/products/finishing-touch-flawless-legs-wet-dry-hair-remover>.

Skull Shaver, Butterfly Pro 5 Head, <https://www.skullshaver.com/shopping/butterfly-pro-led-lady-s-shaver.html>.

Skull Shaver, Butterfly Pro 3 Head, <https://www.skullshaver.com/shopping/butterfly-pro-purple-lady-s-shaver.html>.

Home World Business, IdeaVillage Expands Finishing Touch Assortment, <https://www.homeworldbusiness.com/2018-05-29>.

* cited by examiner

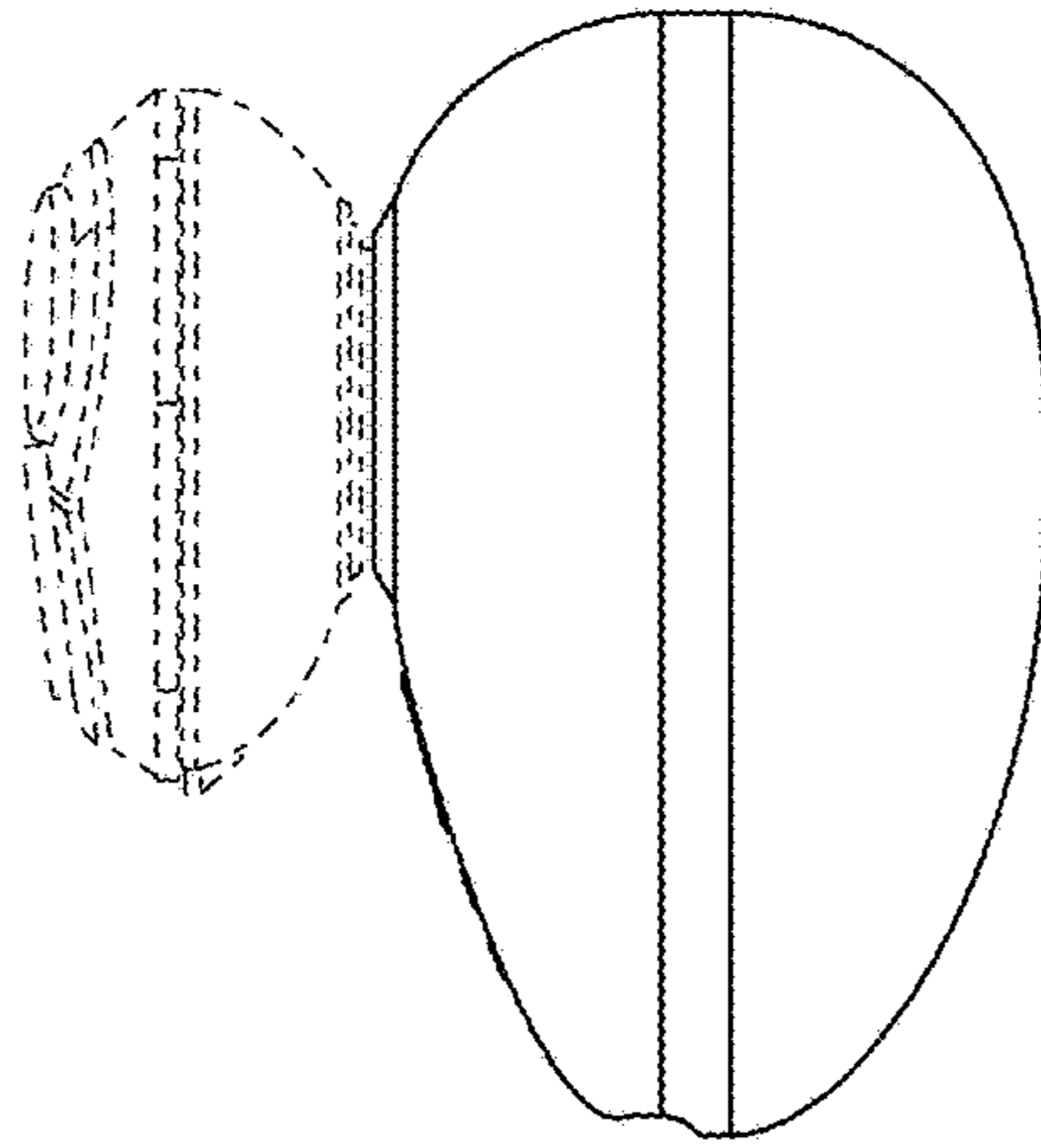


FIG. 1

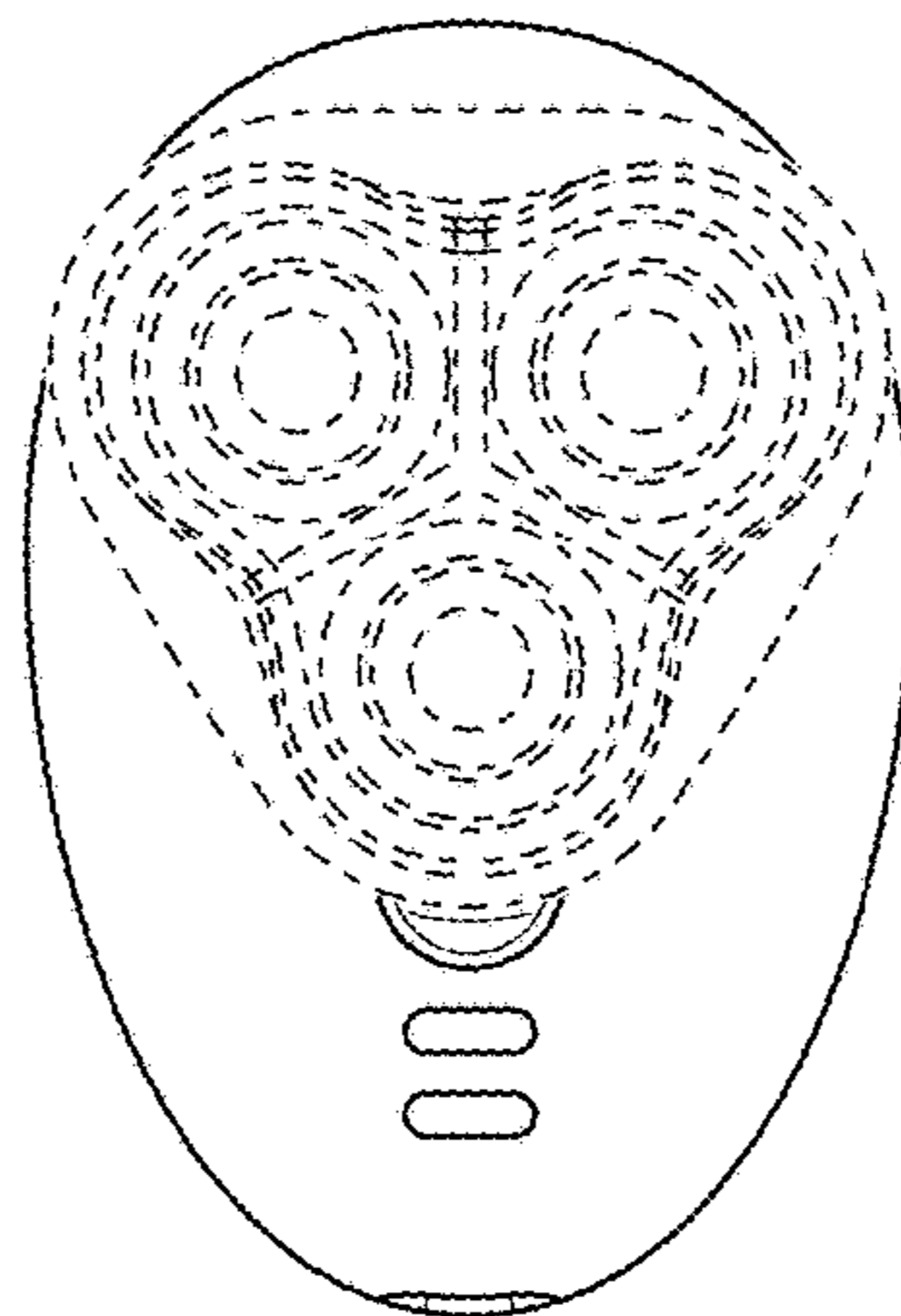


FIG. 2

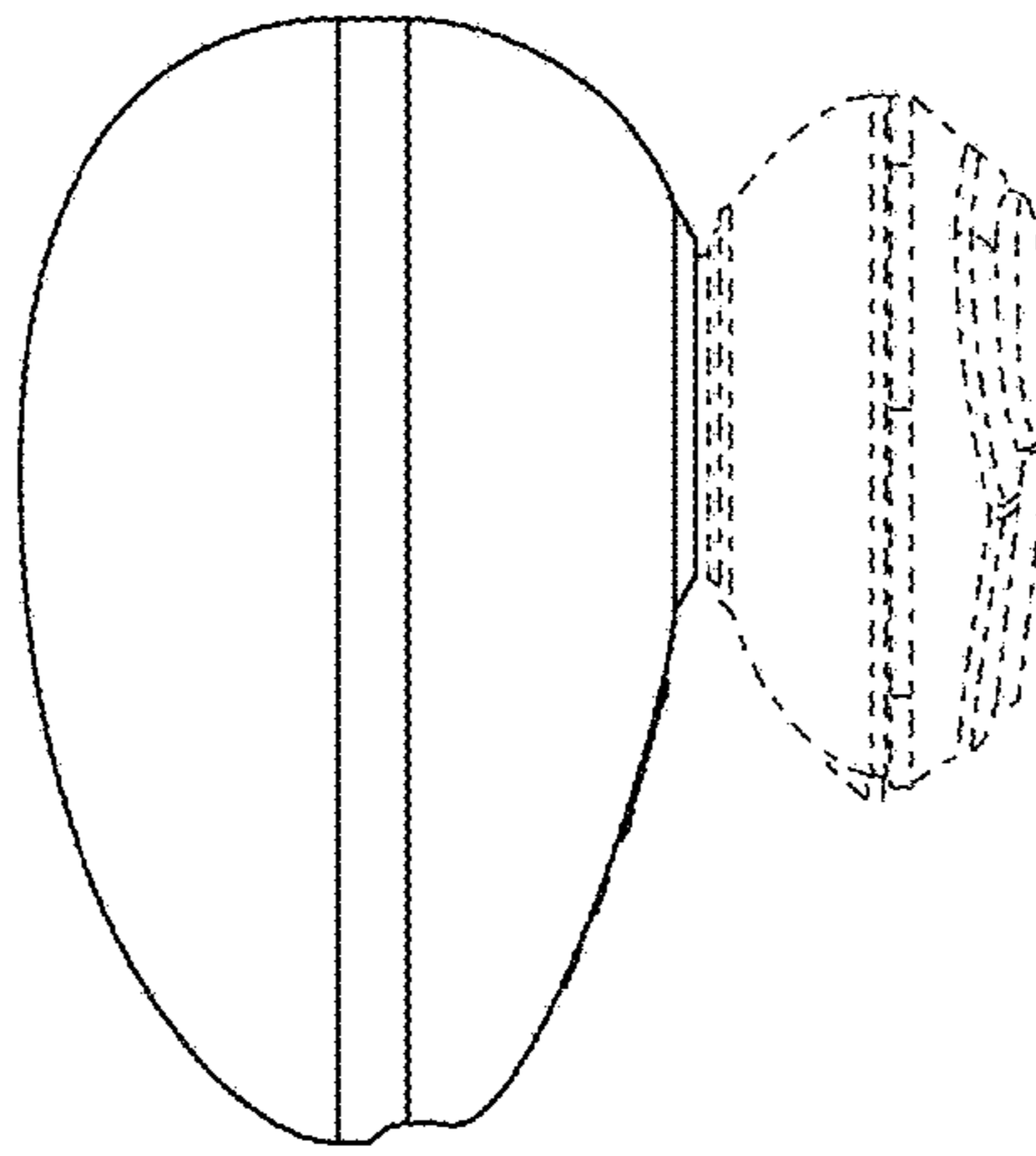


FIG. 3

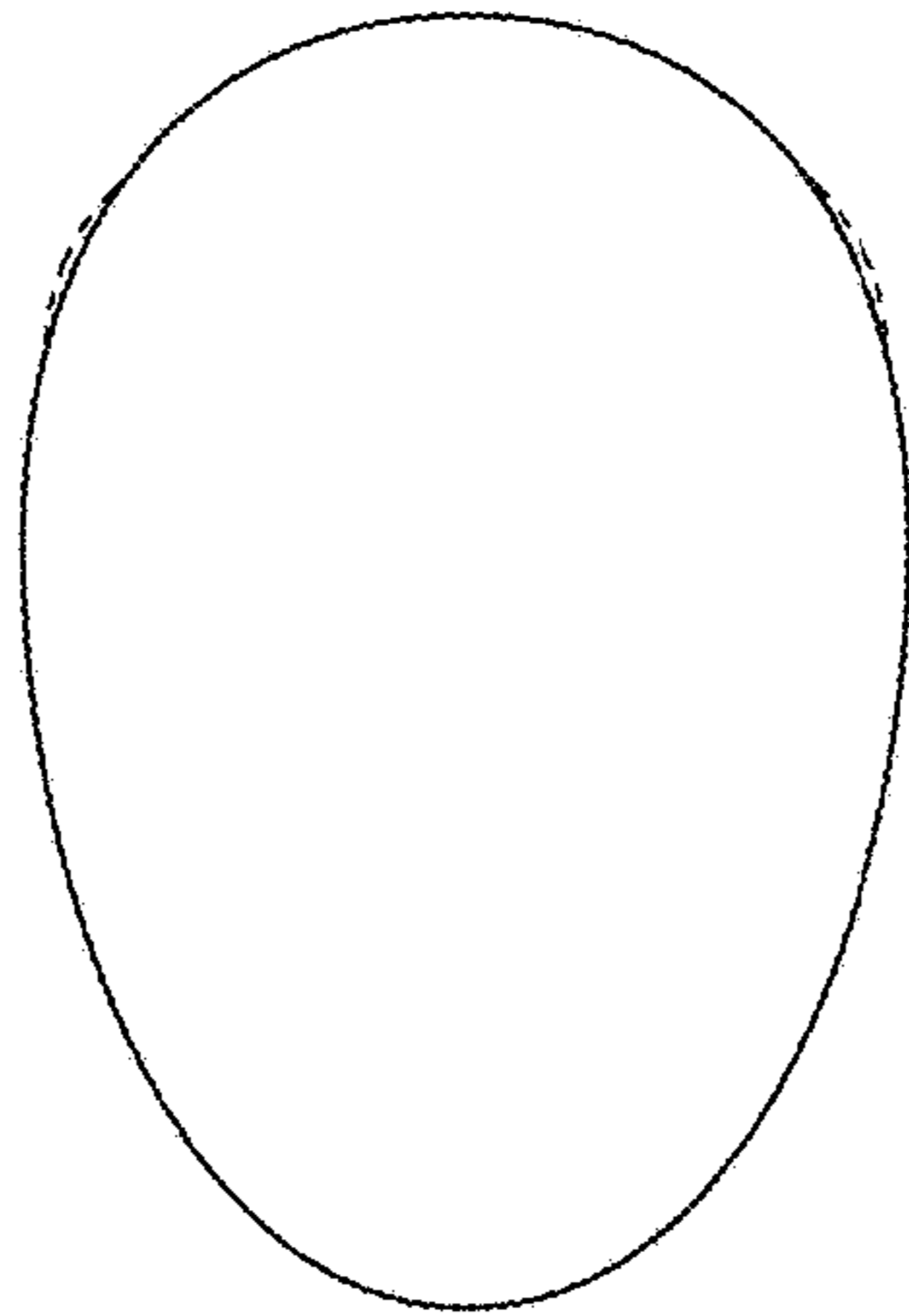


FIG. 4

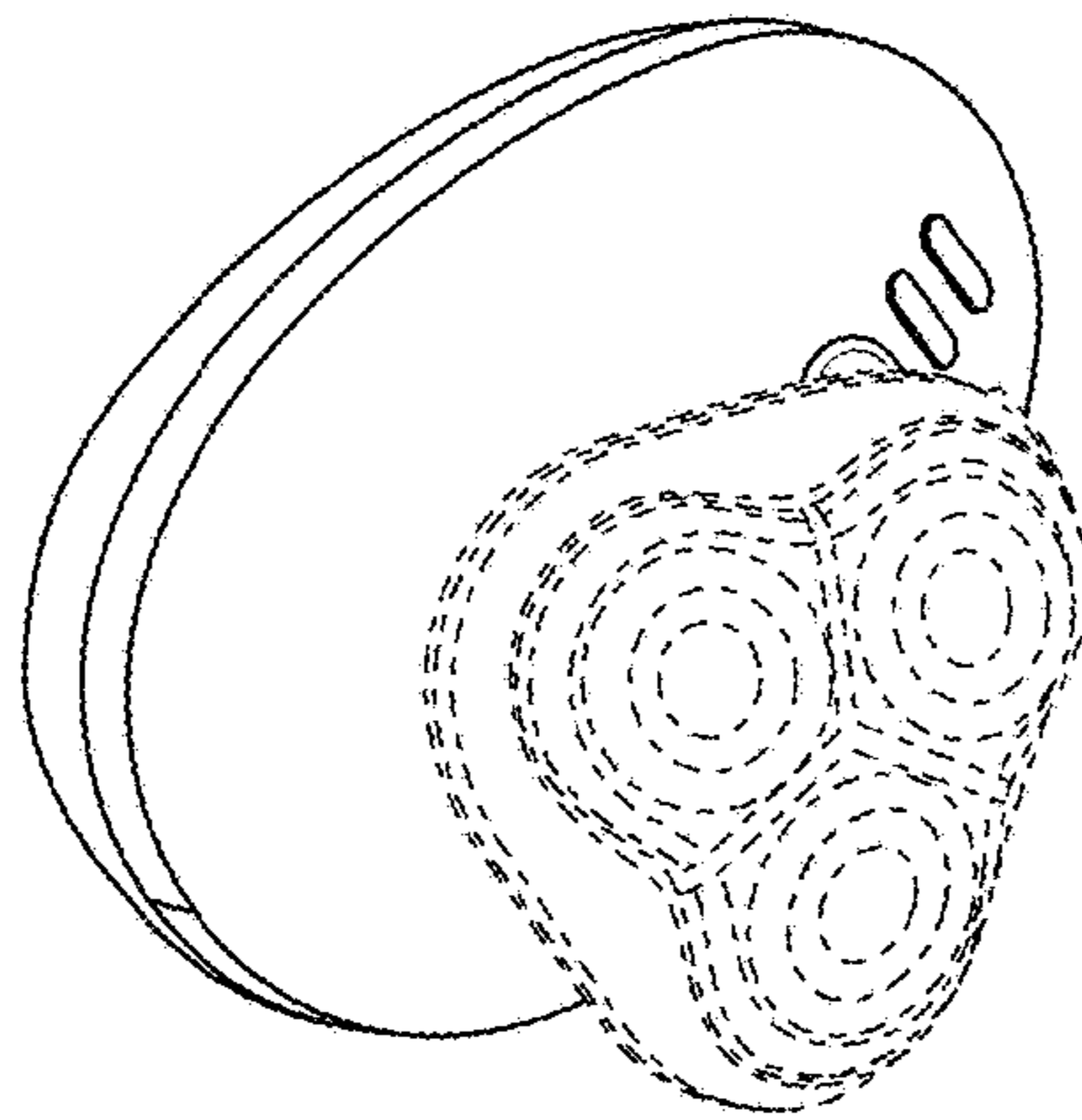


FIG. 5

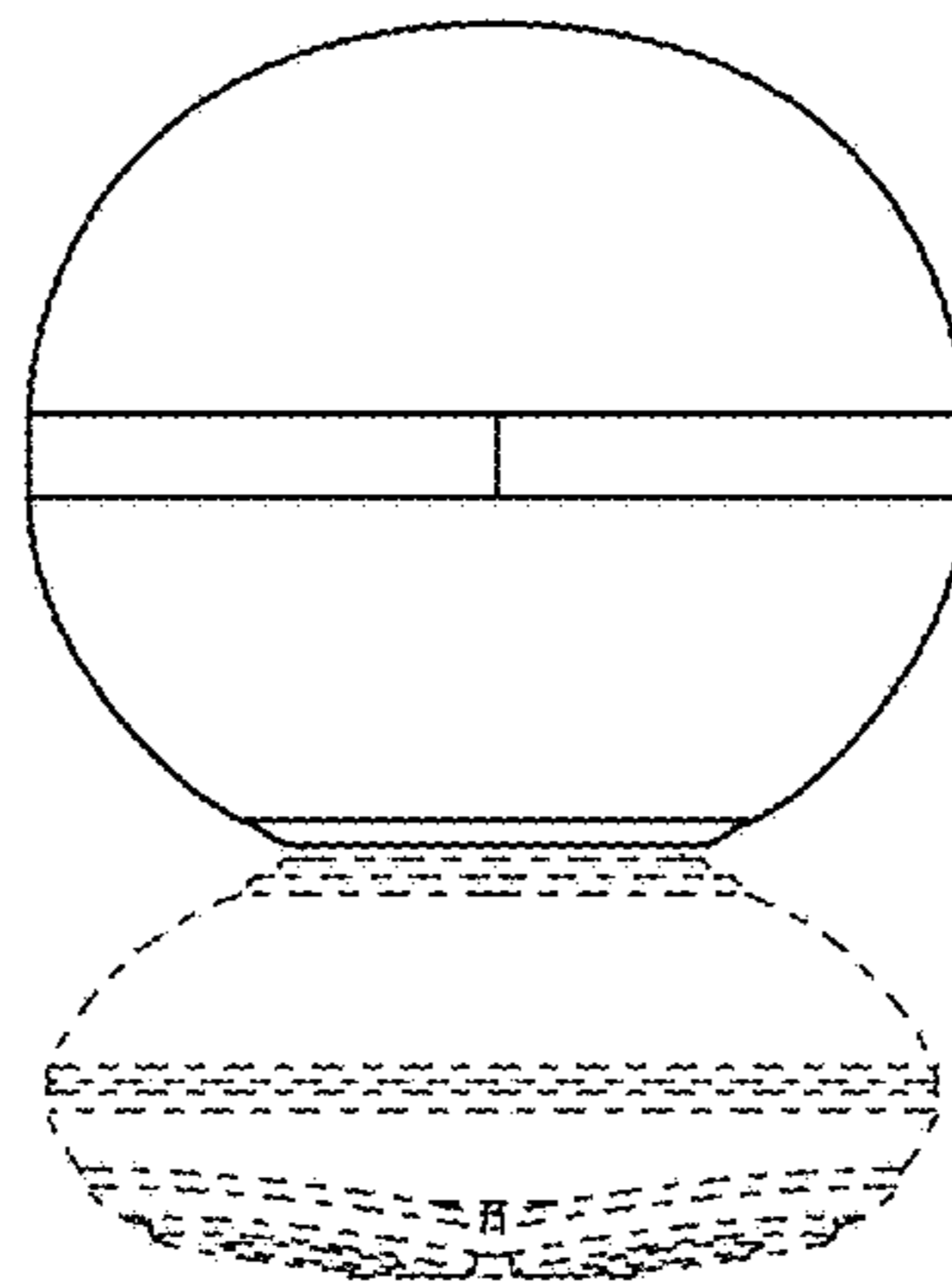


FIG. 6

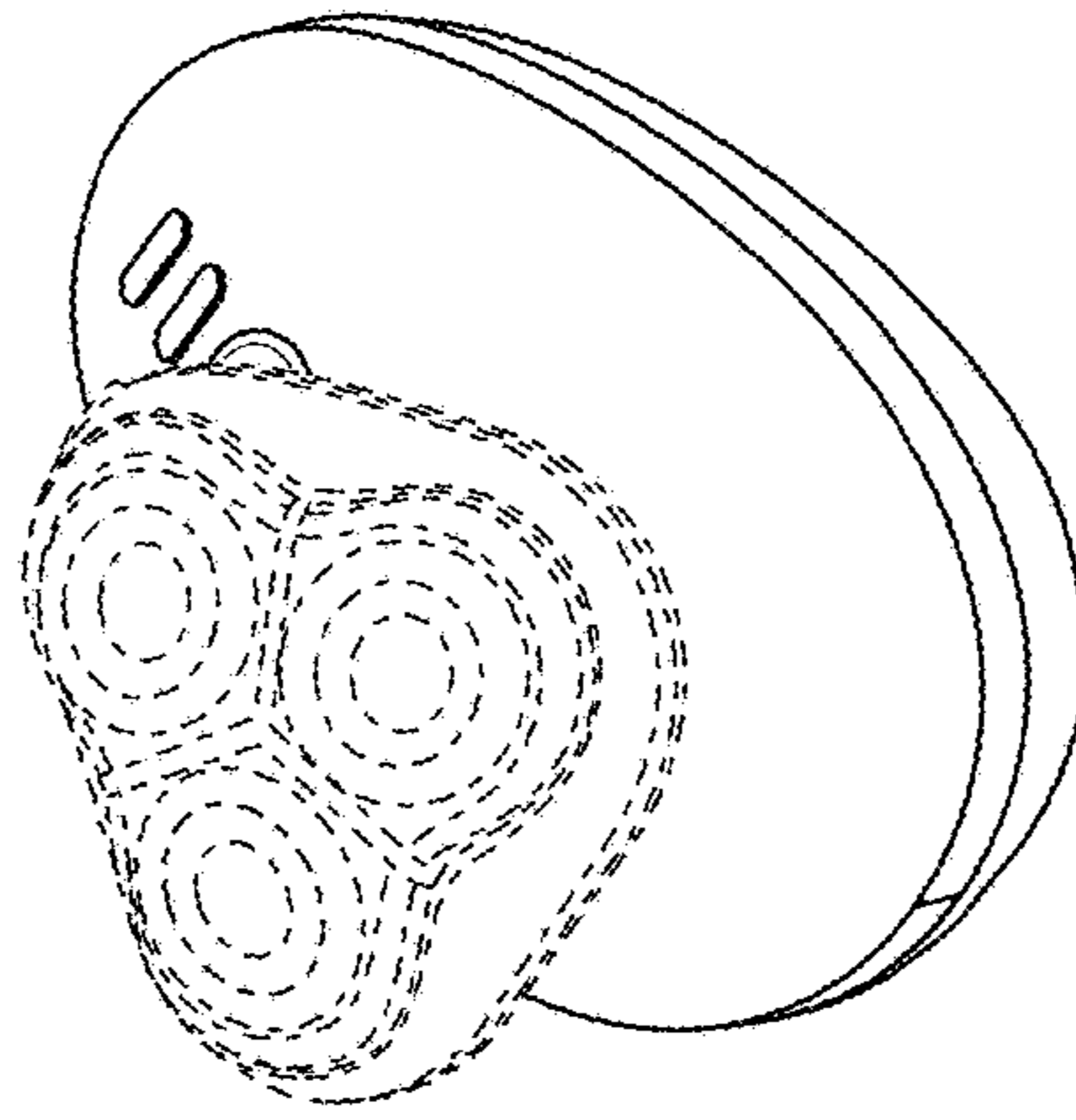


FIG. 7

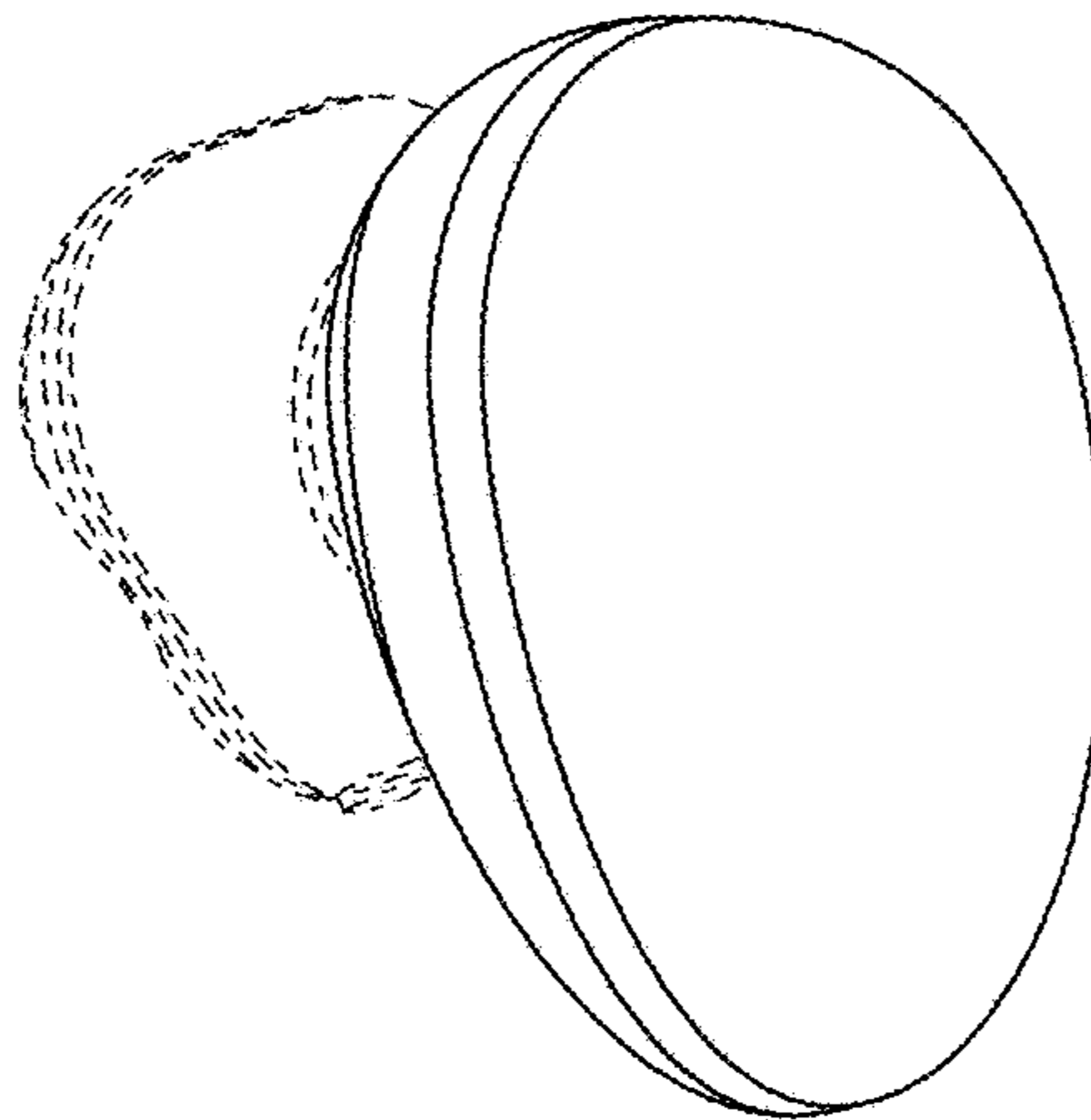


FIG. 8

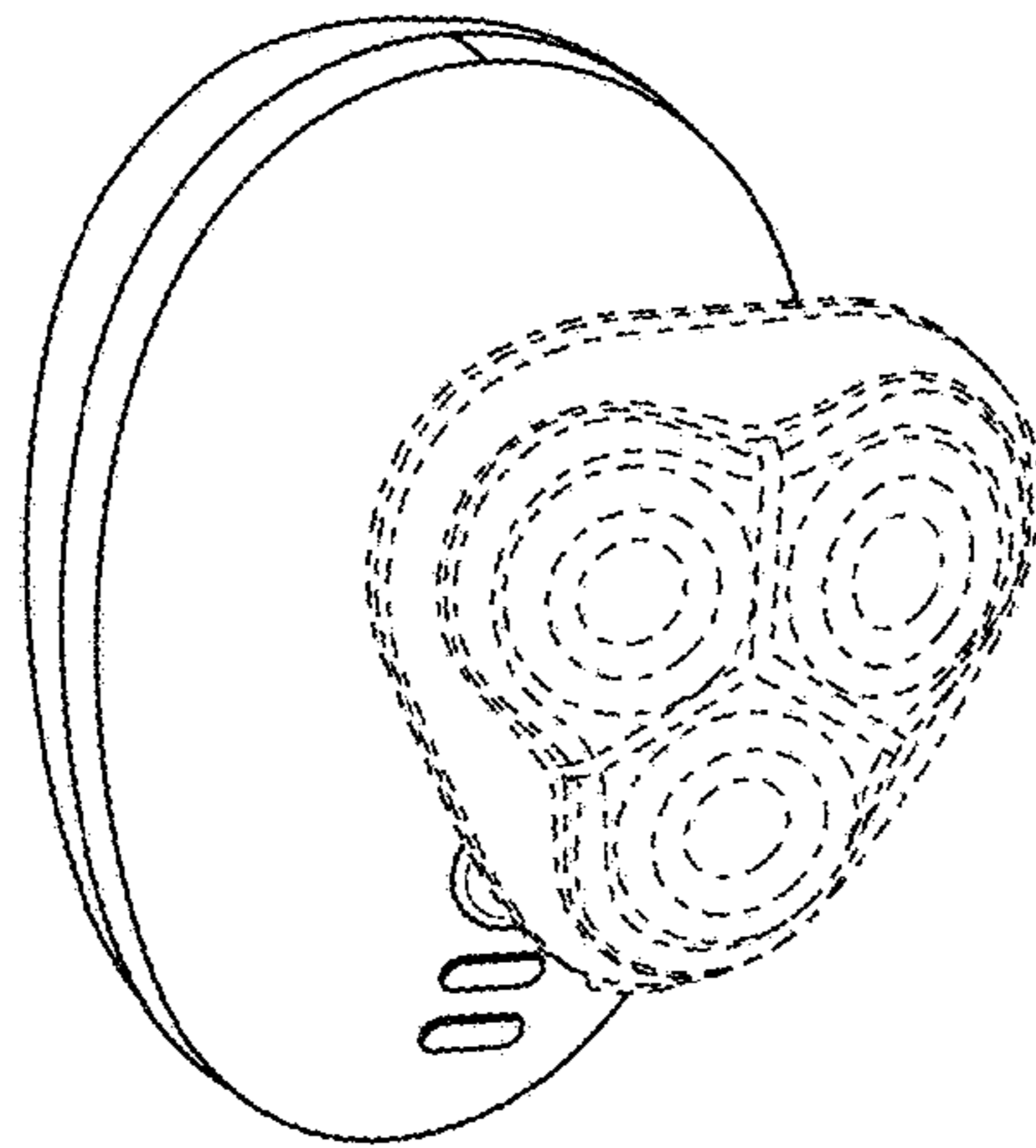


FIG. 9

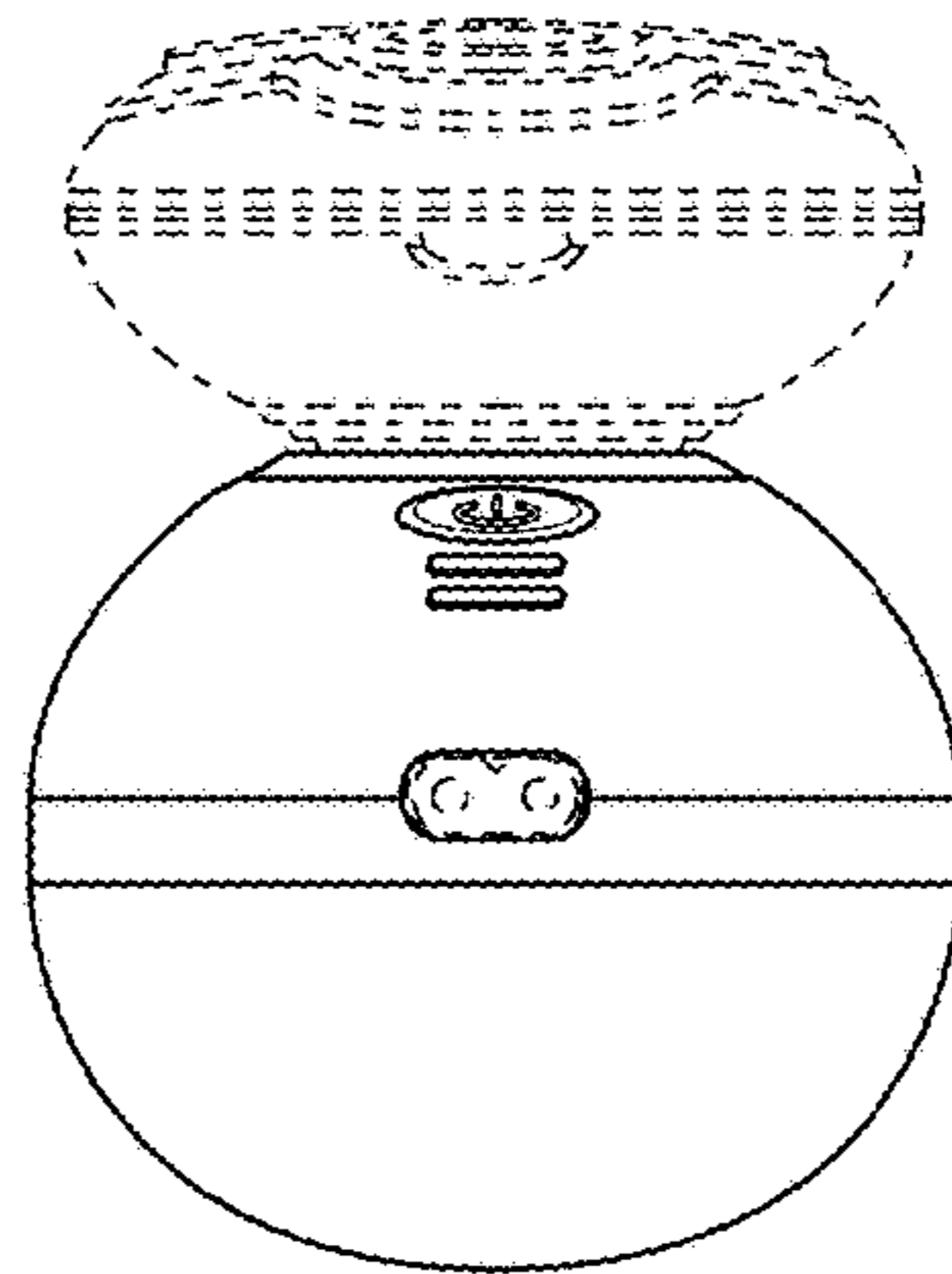


FIG. 10

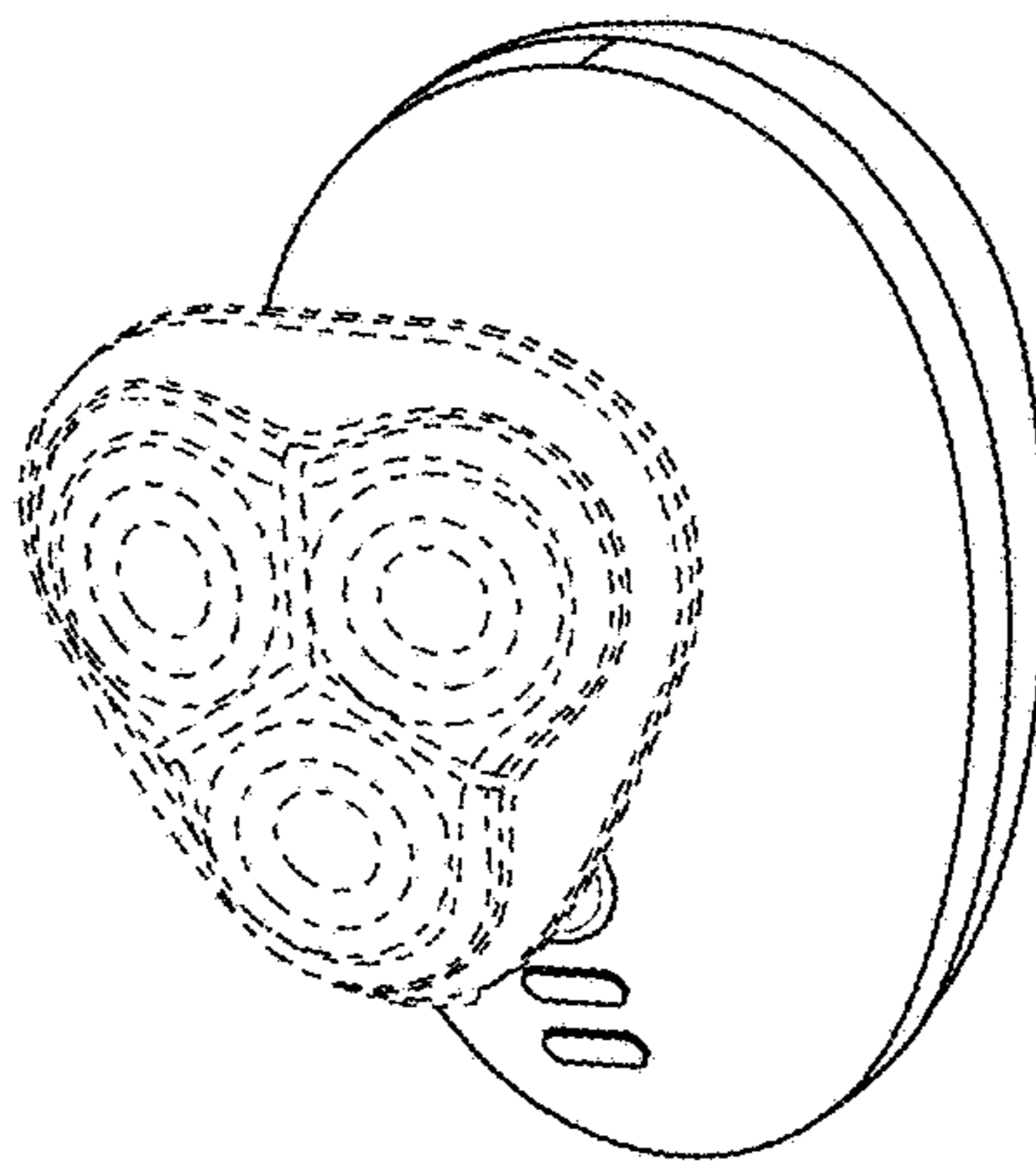


FIG. 11

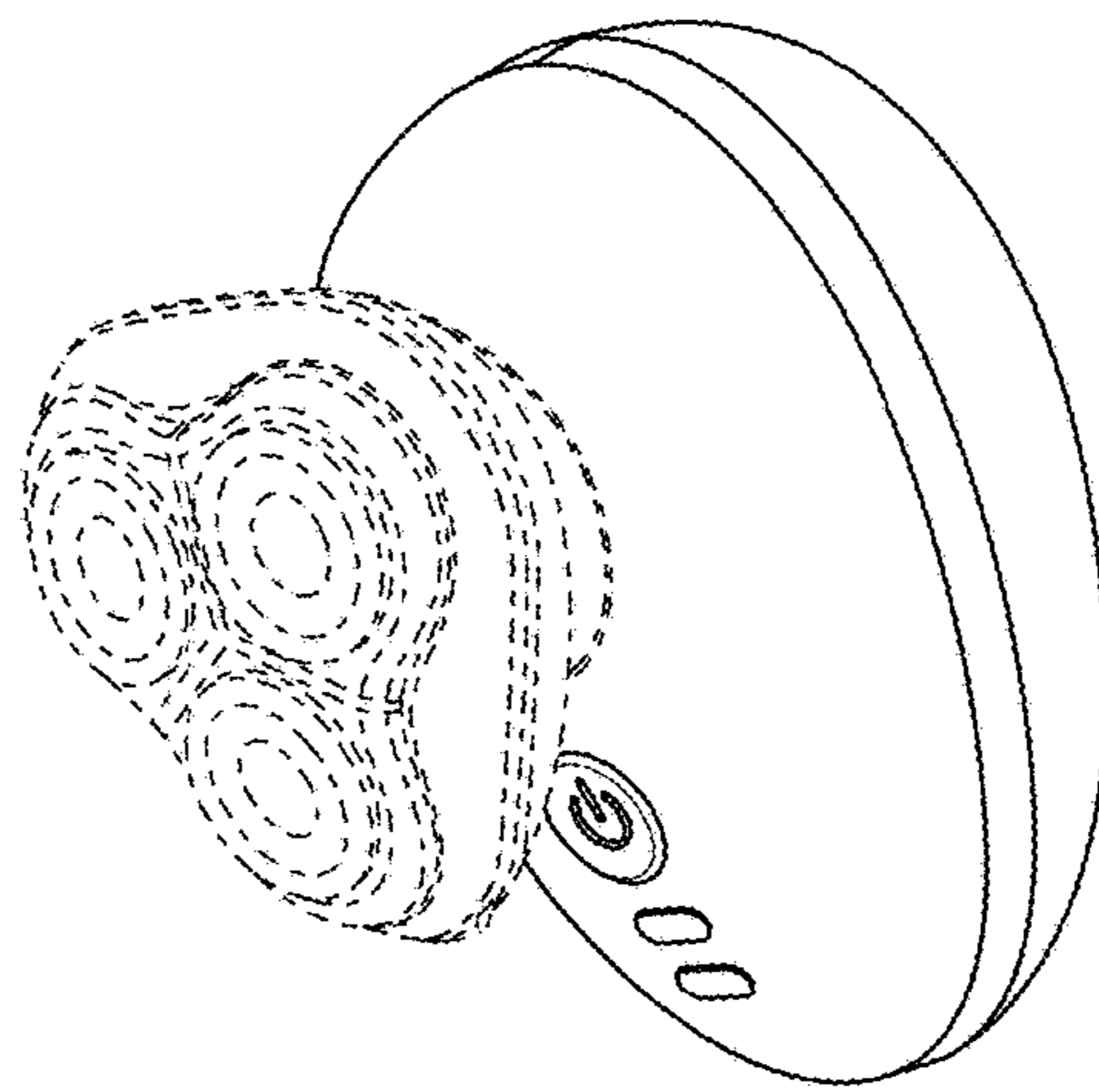


FIG. 12