



US00D845542S

(12) **United States Design Patent**
Granito

(10) **Patent No.:** **US D845,542 S**

(45) **Date of Patent:** **** Apr. 9, 2019**

(54) **HAIR TRIMMER**
(71) Applicant: **Mario Granito**, East Hagbourne (GB)
(72) Inventor: **Mario Granito**, East Hagbourne (GB)
(73) Assignee: **Mario Granito**, Oxford (GB)
(**) Term: **15 Years**

4,009,517 A * 3/1977 Horn B26B 19/20
30/30
D252,826 S * 9/1979 Bakewell D28/22
D403,108 S * 12/1998 Granito D28/25
D425,309 S * 5/2000 Granito D4/121
D429,378 S * 8/2000 Wu D28/24
D448,116 S * 9/2001 Granito D28/25
D482,492 S * 11/2003 Cheung D28/25
D547,005 S * 7/2007 Granito D28/25
D799,116 S * 10/2017 Granito D28/25

(21) Appl. No.: **29/577,903**
(22) Filed: **Nov. 7, 2016**
(51) **LOC (11) Cl.** **28-03**
(52) **U.S. Cl.**
USPC **D28/25; D28/44**
(58) **Field of Classification Search**
USPC D28/25, 44-45; D30/158, 159
CPC A45D 24/36; B26B 21/00; B26B 21/12;
B26B 21/125; B26B 21/10
See application file for complete search history.

* cited by examiner

Primary Examiner — Jennifer Rivard

(57) **CLAIM**

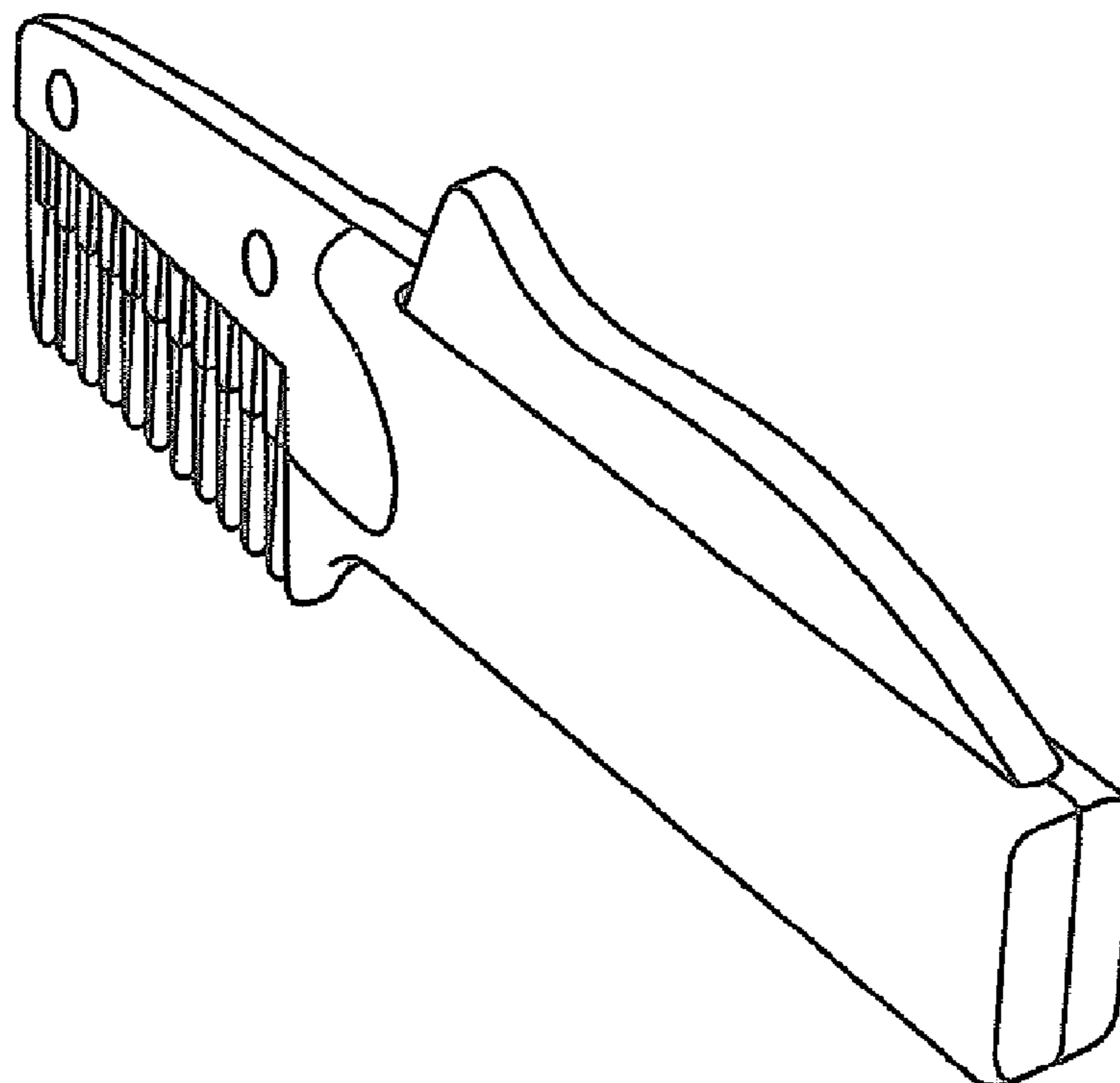
The ornamental design for a hair trimmer, as shown and described.

DESCRIPTION

FIG. 1 is a perspective view of a hair trimmer embodying my new design showing the left side and top view thereof; FIG. 2 is a left side elevation view thereof; FIG. 3 is a right side elevational view, thereof; FIG. 4 is a bottom plan view thereof; FIG. 5 is a top plan view thereof; FIG. 6 is a front view thereof; and, FIG. 7 is a rear view thereof.

(56) **References Cited**
U.S. PATENT DOCUMENTS
1,361,612 A * 12/1920 Peterson A45D 20/525
132/136
2,709,849 A * 6/1955 Loy B26B 21/00
30/34.05
3,794,050 A * 2/1974 Gallanis A45D 24/007
132/119.1
D232,874 S * 9/1974 Koblick D28/25

1 Claim, 2 Drawing Sheets



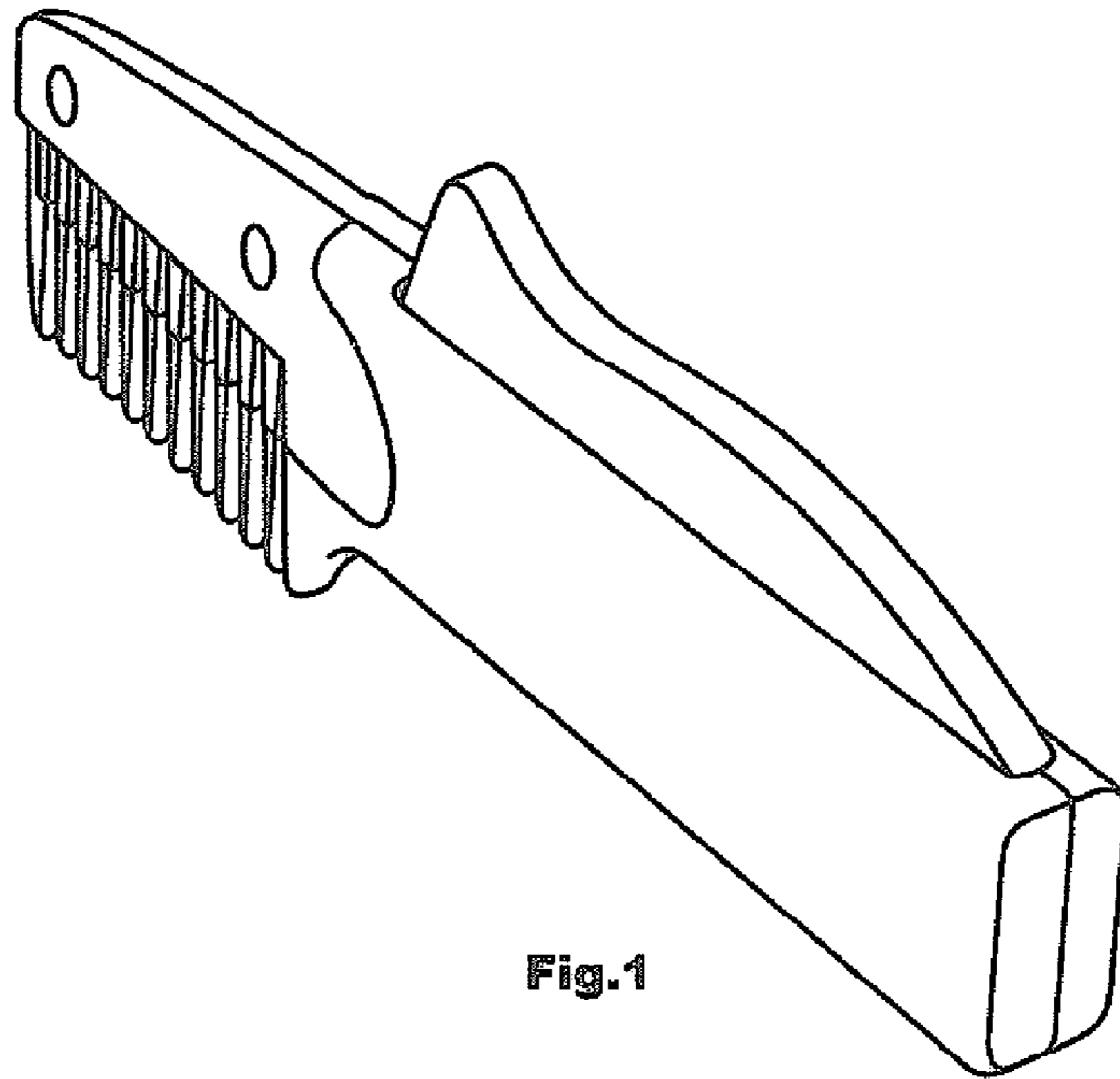


Fig.1

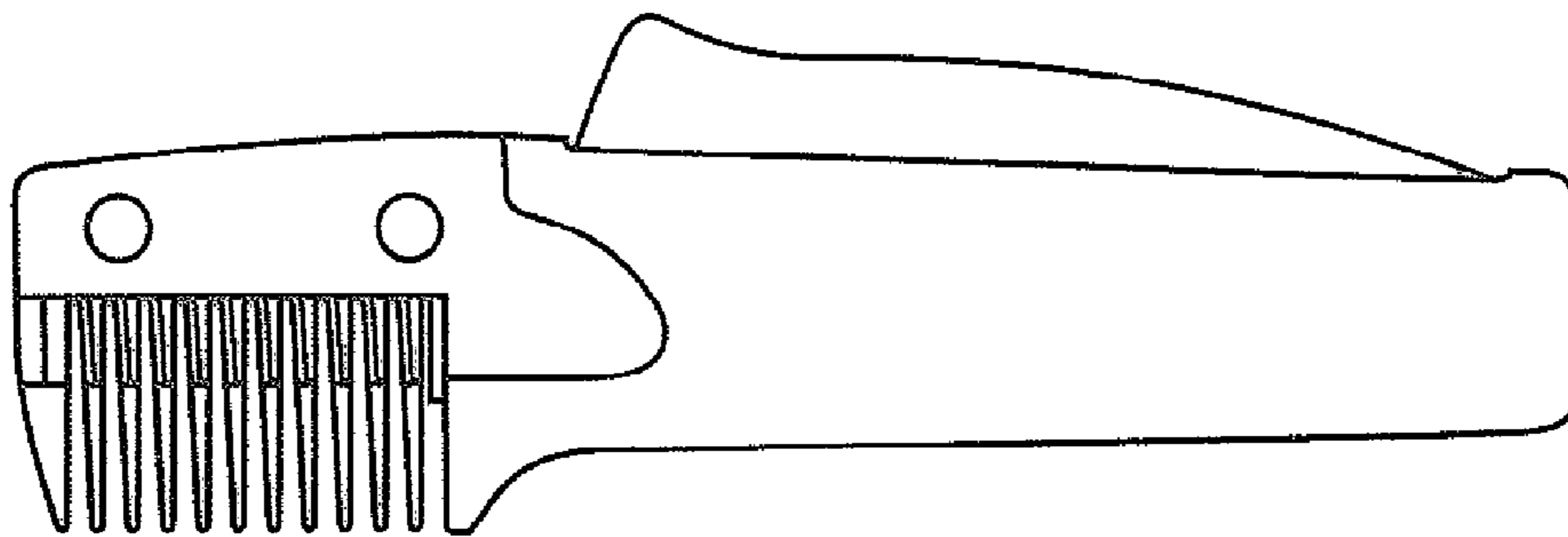


Fig.2

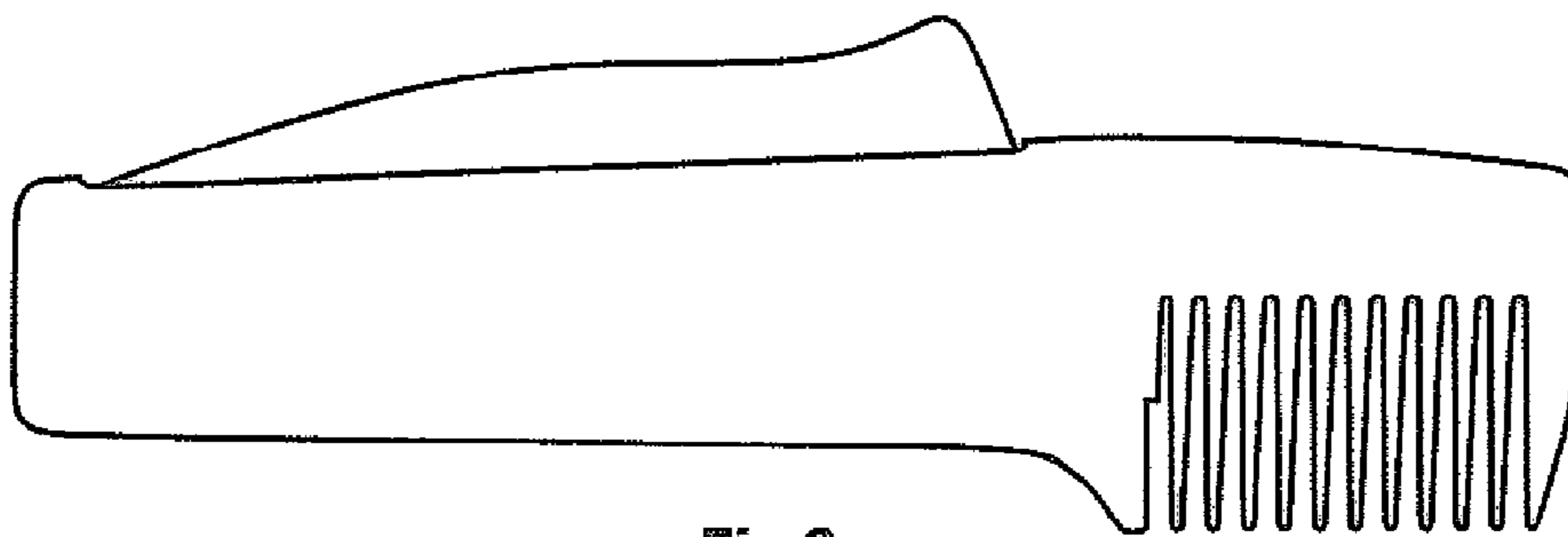


Fig.3

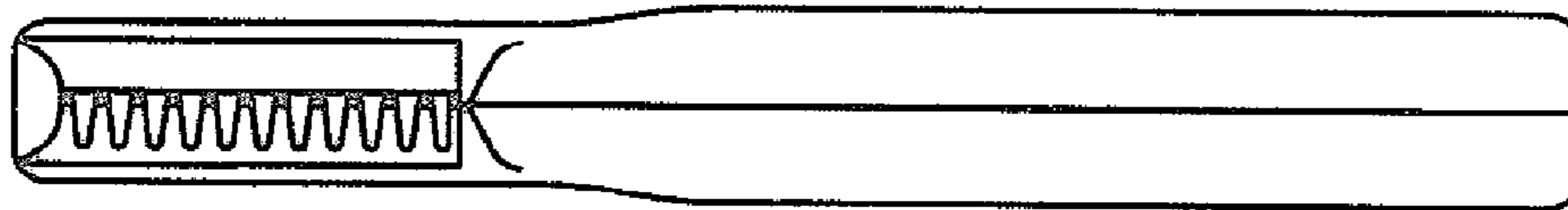


Fig.4

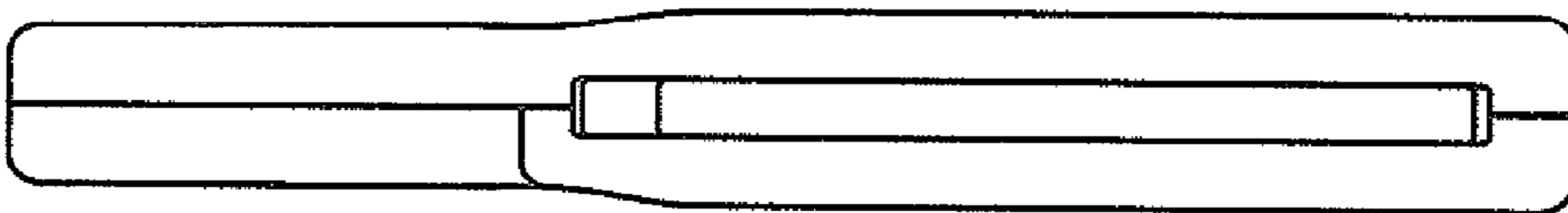


Fig.5

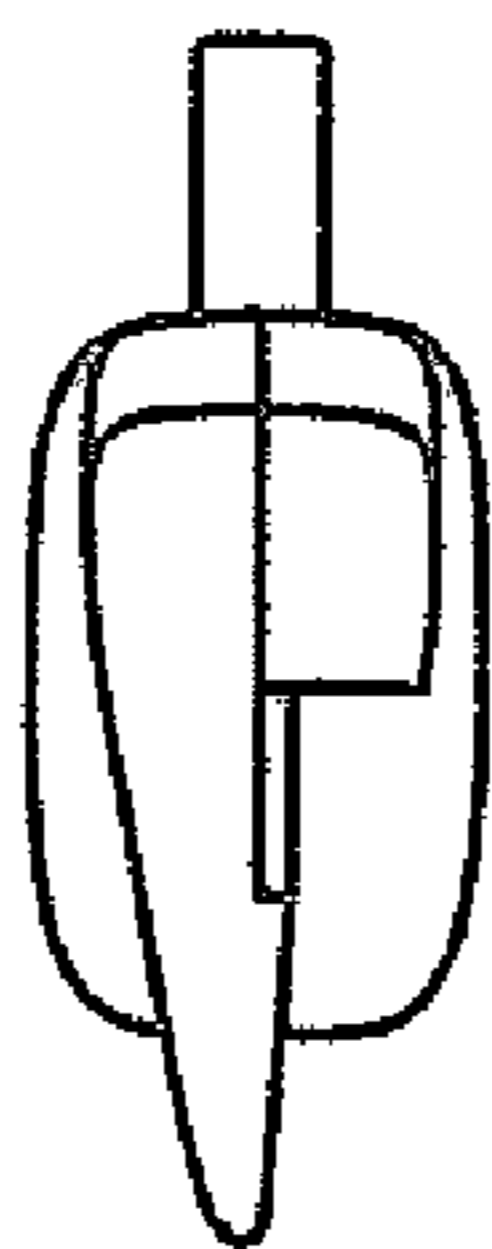


Fig.6

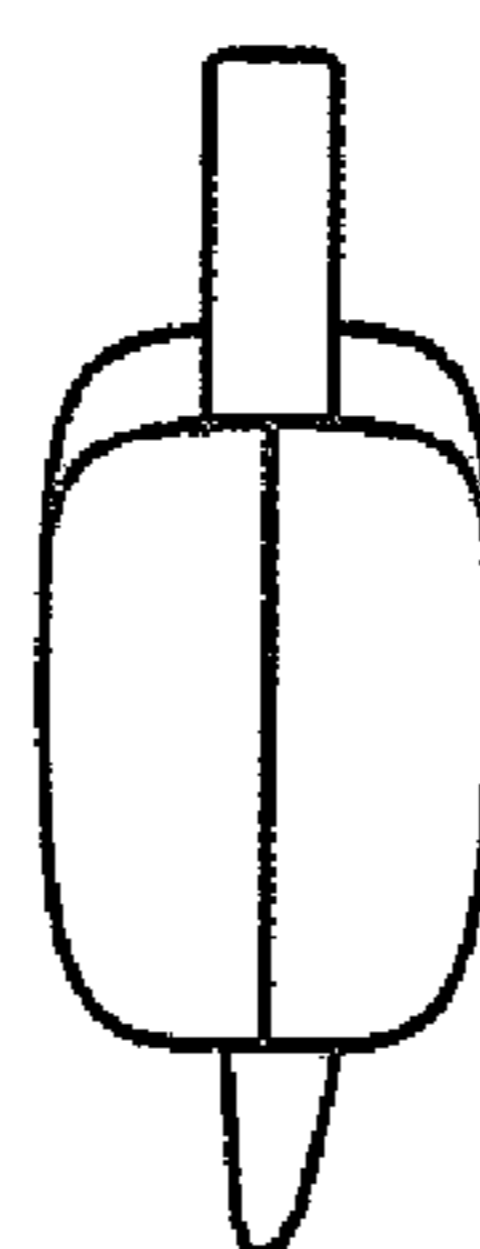


Fig.7