



US00D845539S

(12) **United States Design Patent** (10) **Patent No.:** **US D845,539 S**
Deng (45) **Date of Patent:** **** Apr. 9, 2019**

(54) **EXPLOSION-PROOF LIGHT**
(71) Applicant: **DONGGUAN PAN AMERICAN ELECTRONICS CO., LTD.**,
DongGuan, GuangDong (CN)
(72) Inventor: **Jinsheng Deng**, DongGuan (CN)
(73) Assignee: **DONGGUAN PAN AMERICAN ELECTRONICS CO., LTD.**,
Dongguan, Guangdong (CN)

D690,450 S * 9/2013 Guercio D26/72
D690,453 S * 9/2013 Guercio D26/72
D748,840 S * 2/2016 Lee D26/2
D764,094 S * 8/2016 Zhai D26/72
D784,597 S * 4/2017 Wilson D26/88
D789,585 S * 6/2017 Ye D26/72
D795,488 S * 8/2017 Holscher D26/89
D827,903 S * 9/2018 Wu D26/74
D831,261 S * 10/2018 Ding D26/88
2010/0208461 A1 * 8/2010 Xiang F21S 8/06
362/249.02

(Continued)

(**) Term: **15 Years**
(21) Appl. No.: **29/638,393**
(22) Filed: **Feb. 27, 2018**

Primary Examiner — Mark A Goodwin
Assistant Examiner — Benjamin M Weeks
(74) *Attorney, Agent, or Firm* — Ladas & Parry LLP

(30) **Foreign Application Priority Data**

Aug. 28, 2017 (CN) 2017 3 0401218

(51) **LOC (11) Cl.** **26-05**

(52) **U.S. Cl.**
USPC **D26/149**

(58) **Field of Classification Search**
USPC D26/75, 76, 77, 80, 81, 88, 90, 71, 128,
D26/121, 142, 155, 138, 122, 154, 113,
D26/120, 134, 118, 74
CPC F21S 6/00; F21S 6/002; F21S 8/03; F21S
8/033

See application file for complete search history.

(56) **References Cited**

U.S. PATENT DOCUMENTS

D573,288 S * 7/2008 Xu D26/67
D611,650 S * 3/2010 Broekhoff D26/134
D633,235 S * 2/2011 Zheng D26/24
D642,316 S * 7/2011 Zheng D26/2
D650,513 S * 12/2011 Blincoe D26/118
D651,735 S * 1/2012 Dai D26/72
D657,088 S * 4/2012 Miro D26/85

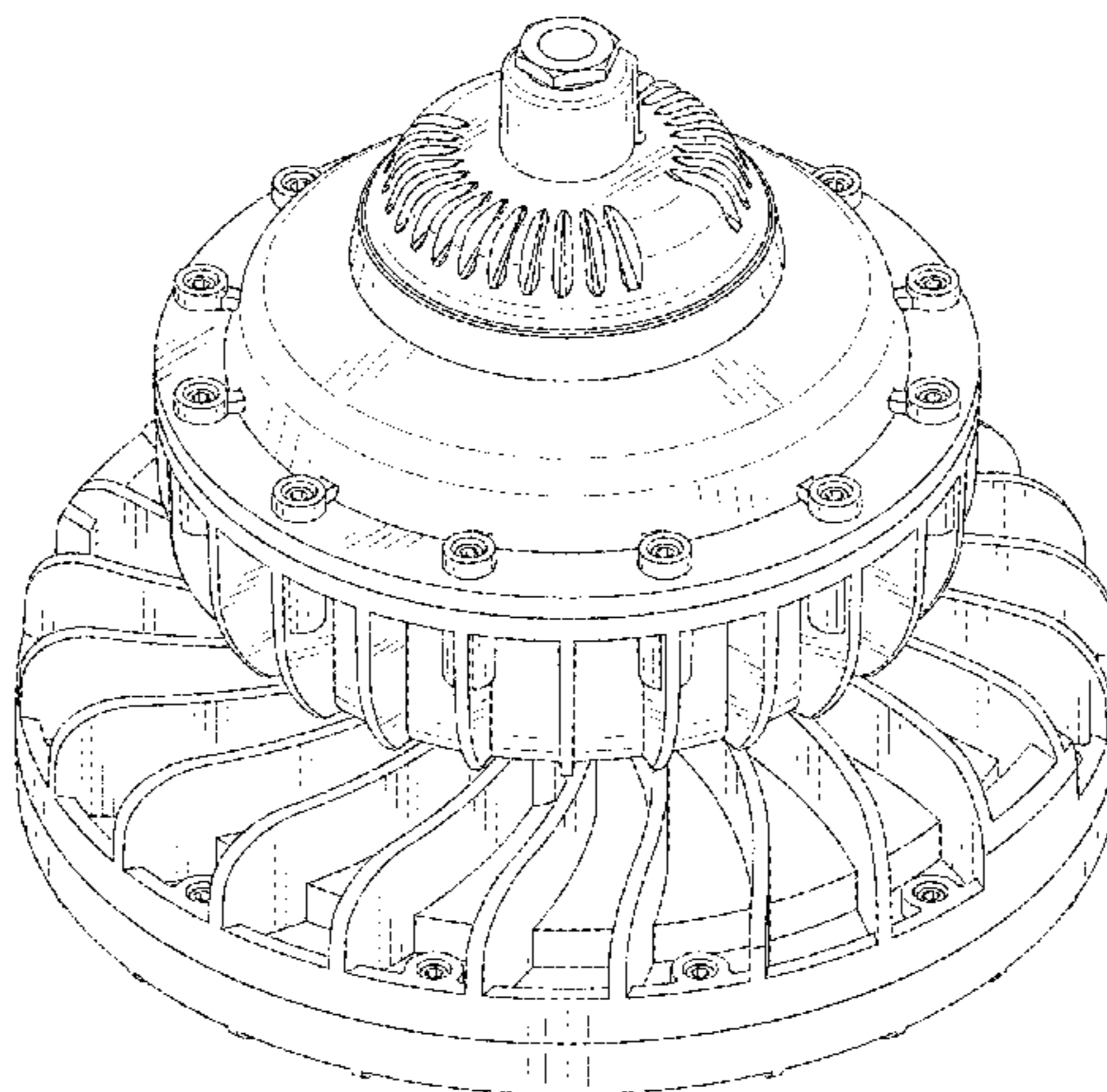
(57) **CLAIM**

The ornamental design for an explosion-proof light, as shown and described.

DESCRIPTION

FIG. 1 is a front, top left perspective view of an explosion-proof light showing my new design;
FIG. 2 is a rear, bottom right perspective view thereof;
FIG. 3 is a front elevational view thereof;
FIG. 4 is a rear elevational view thereof;
FIG. 5 is a left side elevational view thereof;
FIG. 6 is a right side elevational view thereof;
FIG. 7 is a top plan view thereof;
FIG. 8 is a bottom plan view thereof.
FIG. 9 is a side view of the explosion-proof light in a mounted position;
FIG. 10 is a side view of the explosion-proof light in another mounted position; and,
FIG. 11 is a side view of the explosion-proof light in yet another mounted position.
The broken lines shown in FIGS. 9, 10 and 11 show environmental structure and form no part of the claimed design.

1 Claim, 11 Drawing Sheets



(56)

References Cited

U.S. PATENT DOCUMENTS

2011/0002124 A1* 1/2011 Chang F21V 19/001
362/294
2013/0322074 A1* 12/2013 Guercio F21V 29/002
362/235
2014/0021884 A1* 1/2014 Fetterly H05B 33/0854
315/297
2014/0199168 A1* 7/2014 Spiro F04D 29/582
416/5

* cited by examiner

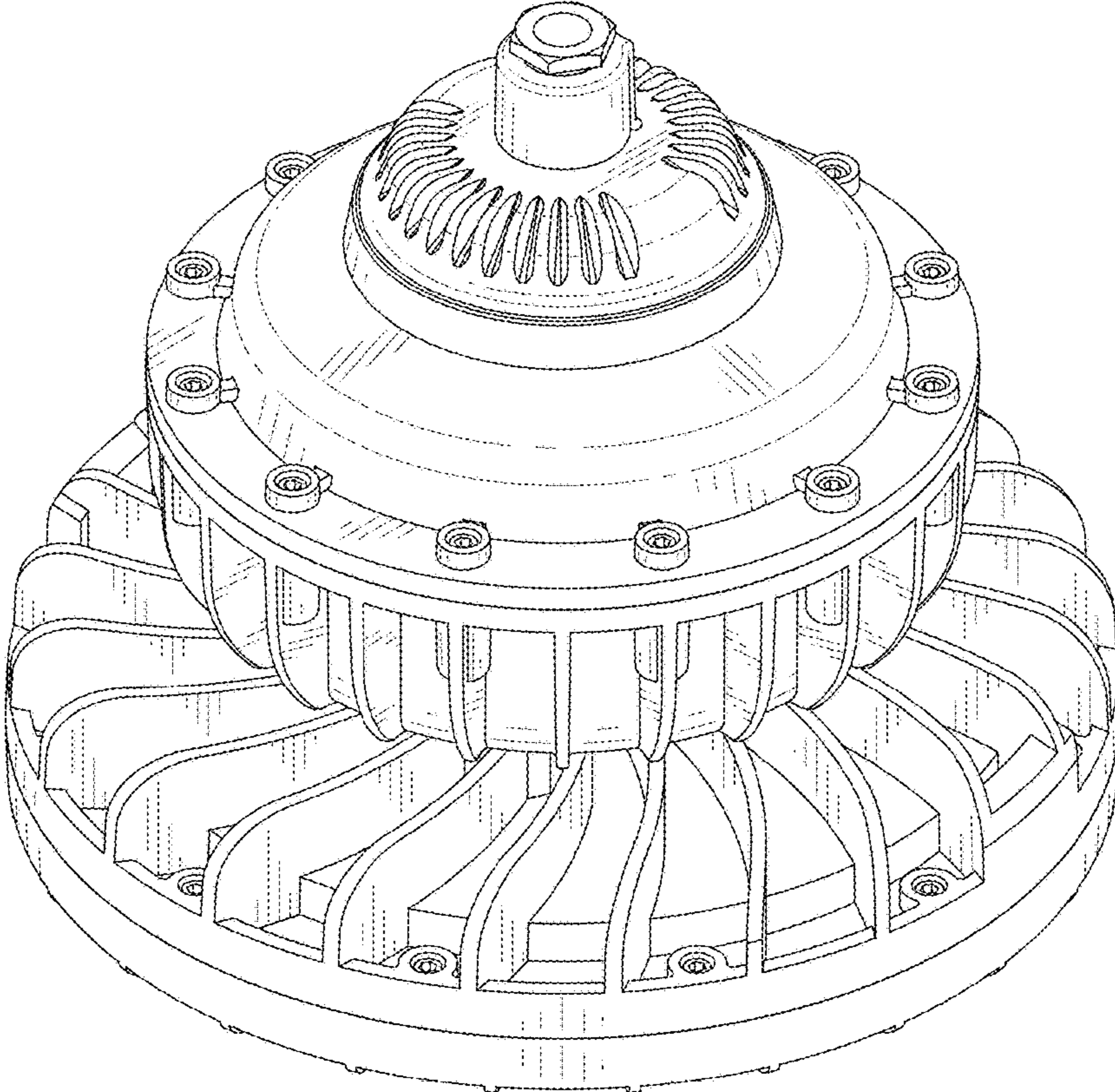


FIG. 1

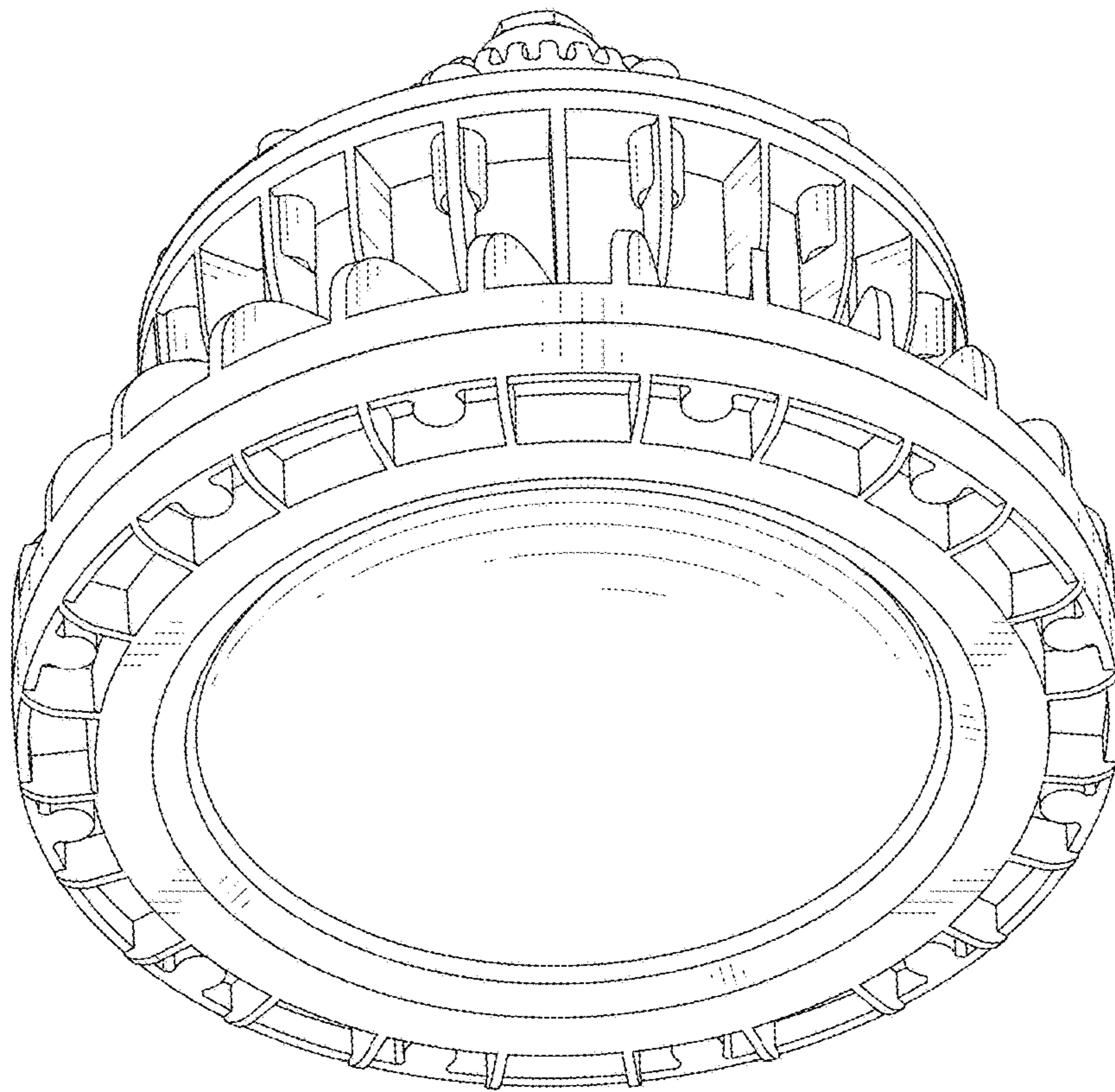


FIG. 2

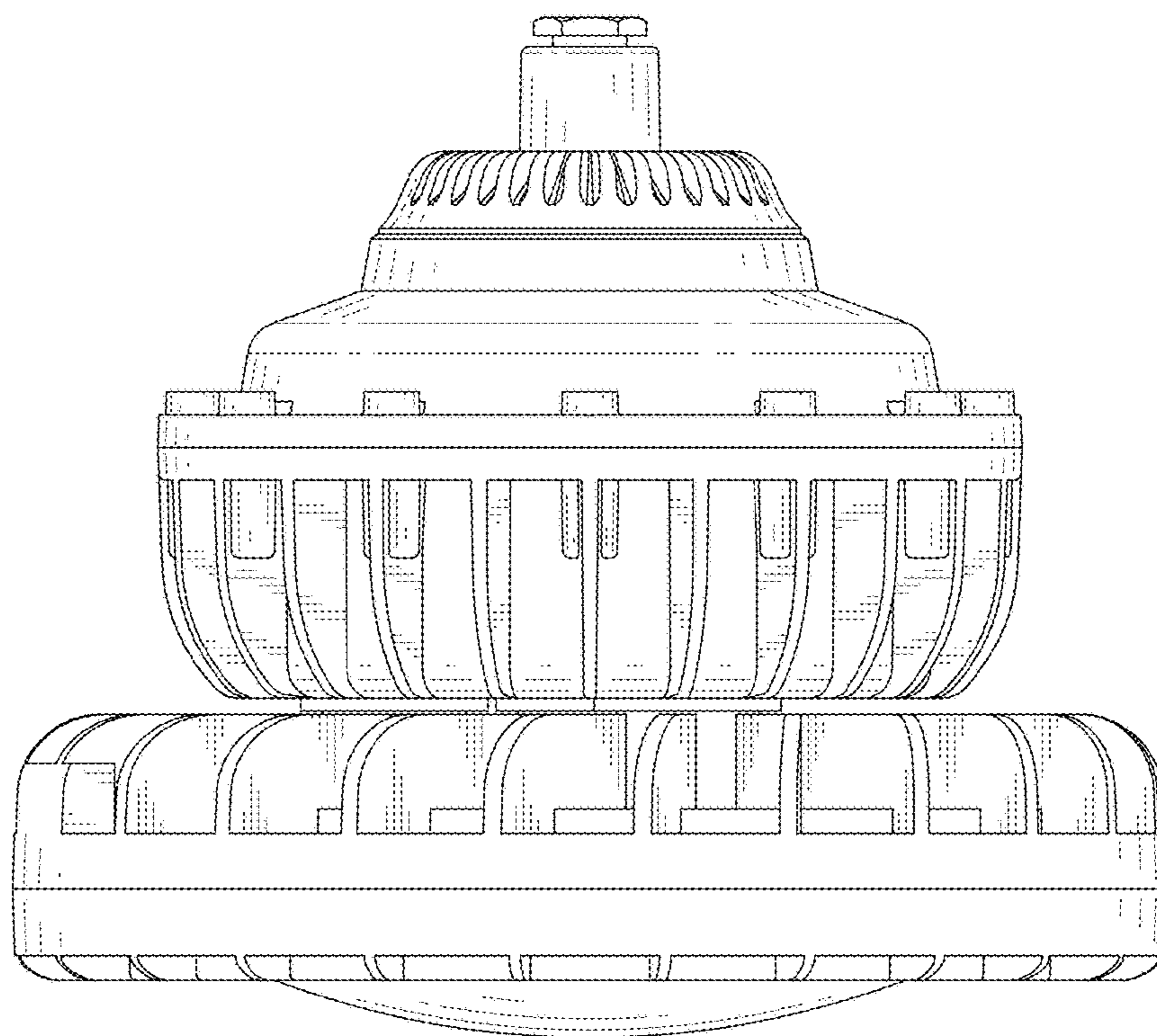


FIG. 3

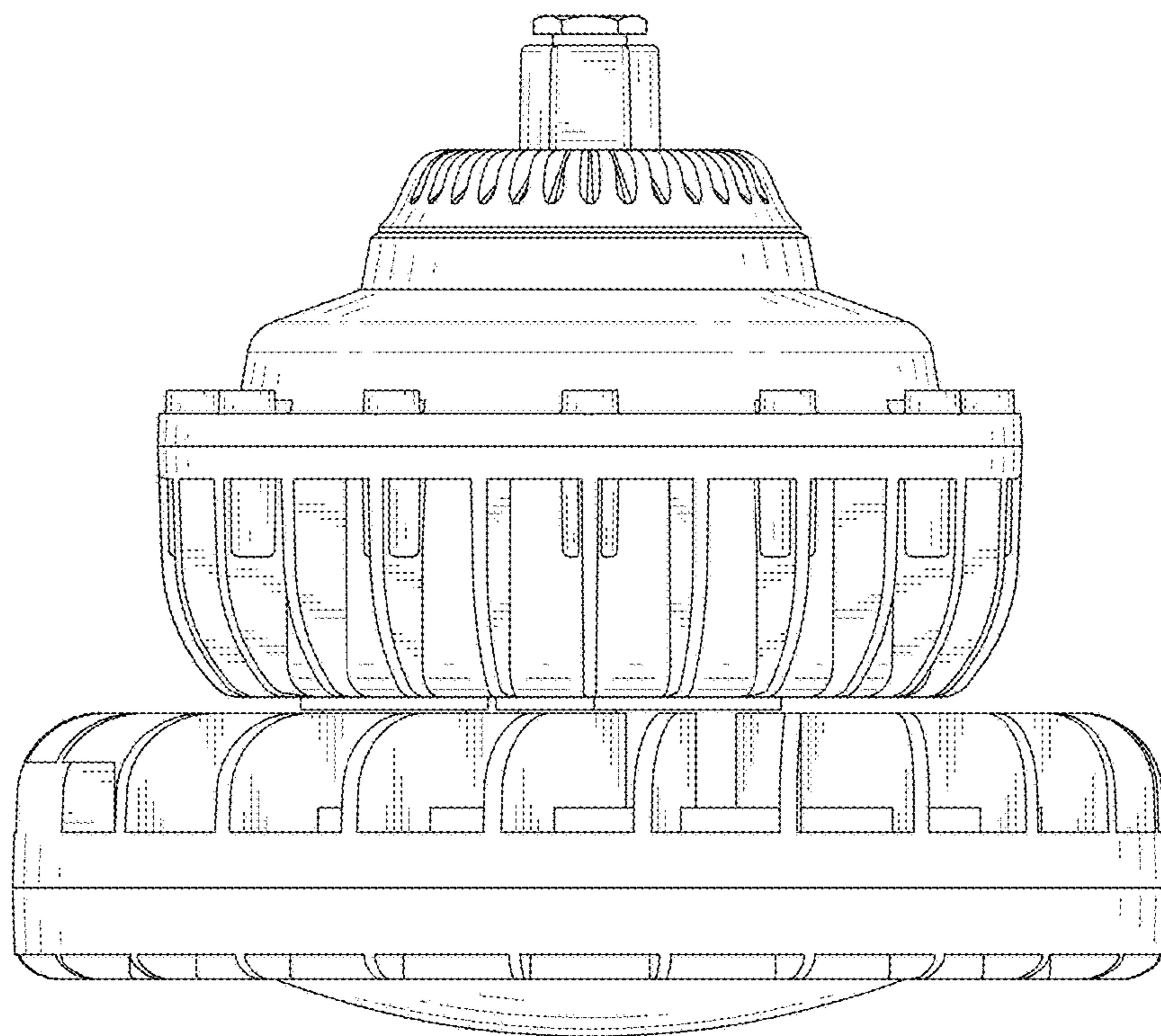


FIG. 4

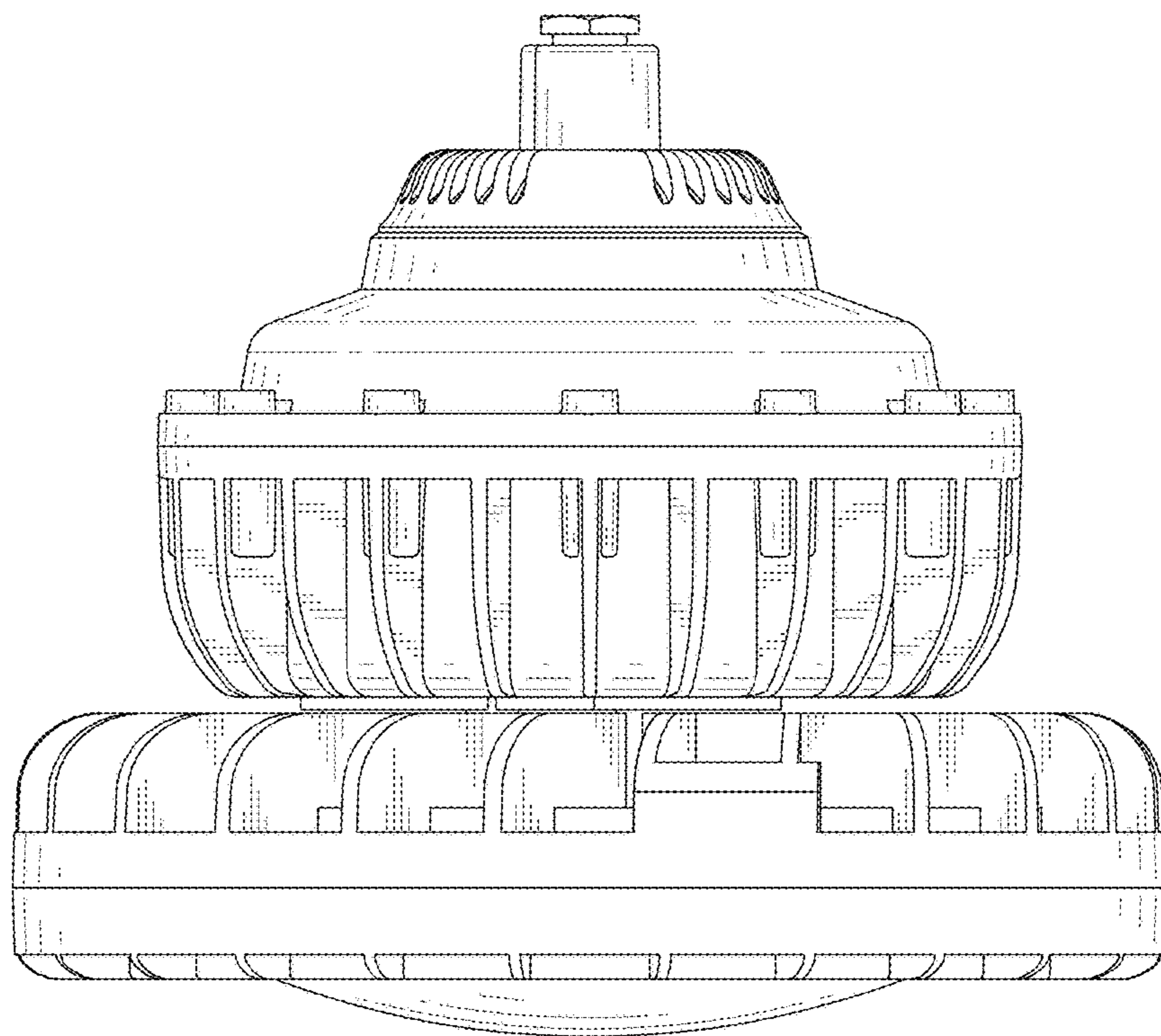


FIG. 5

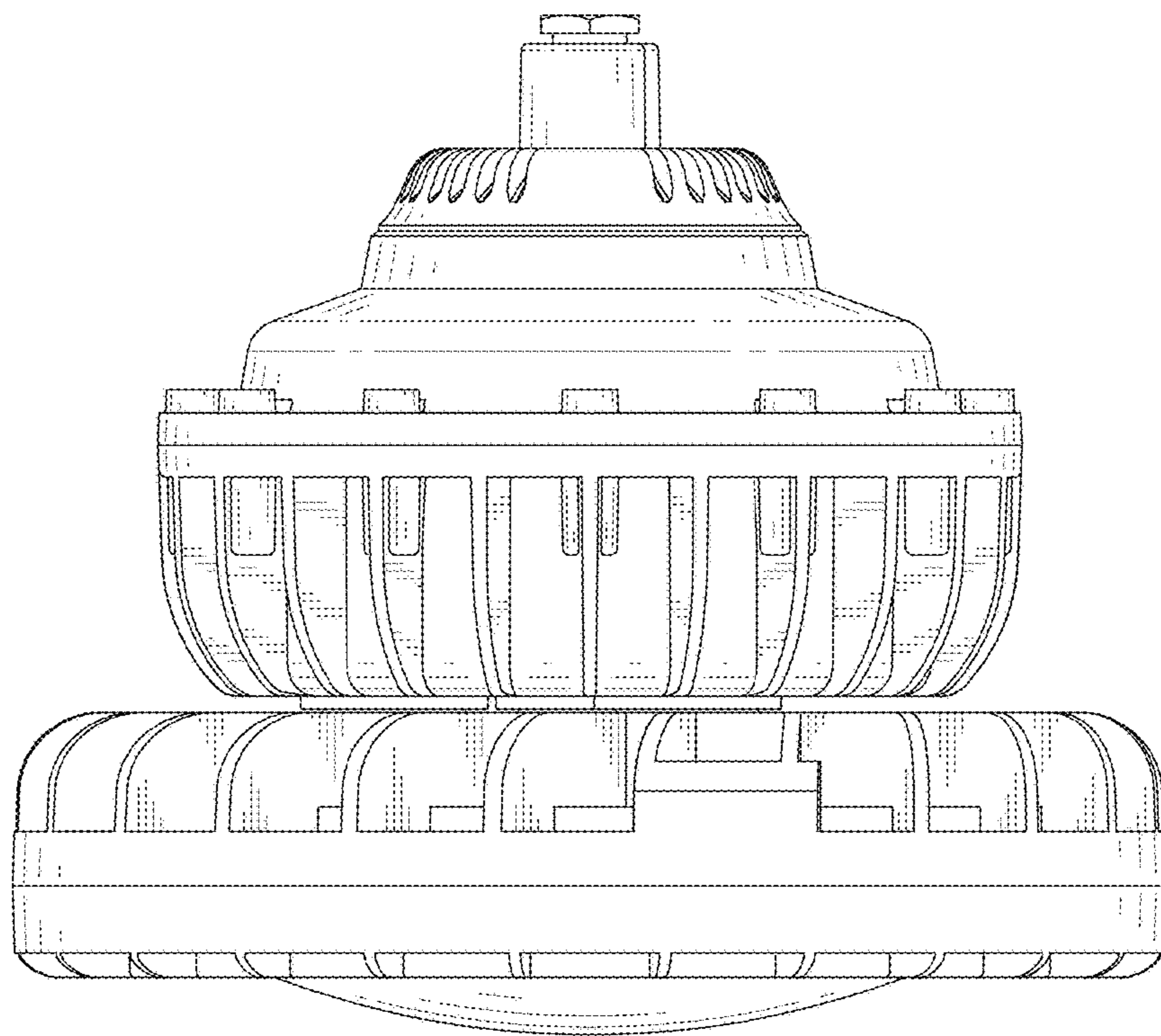


FIG. 6

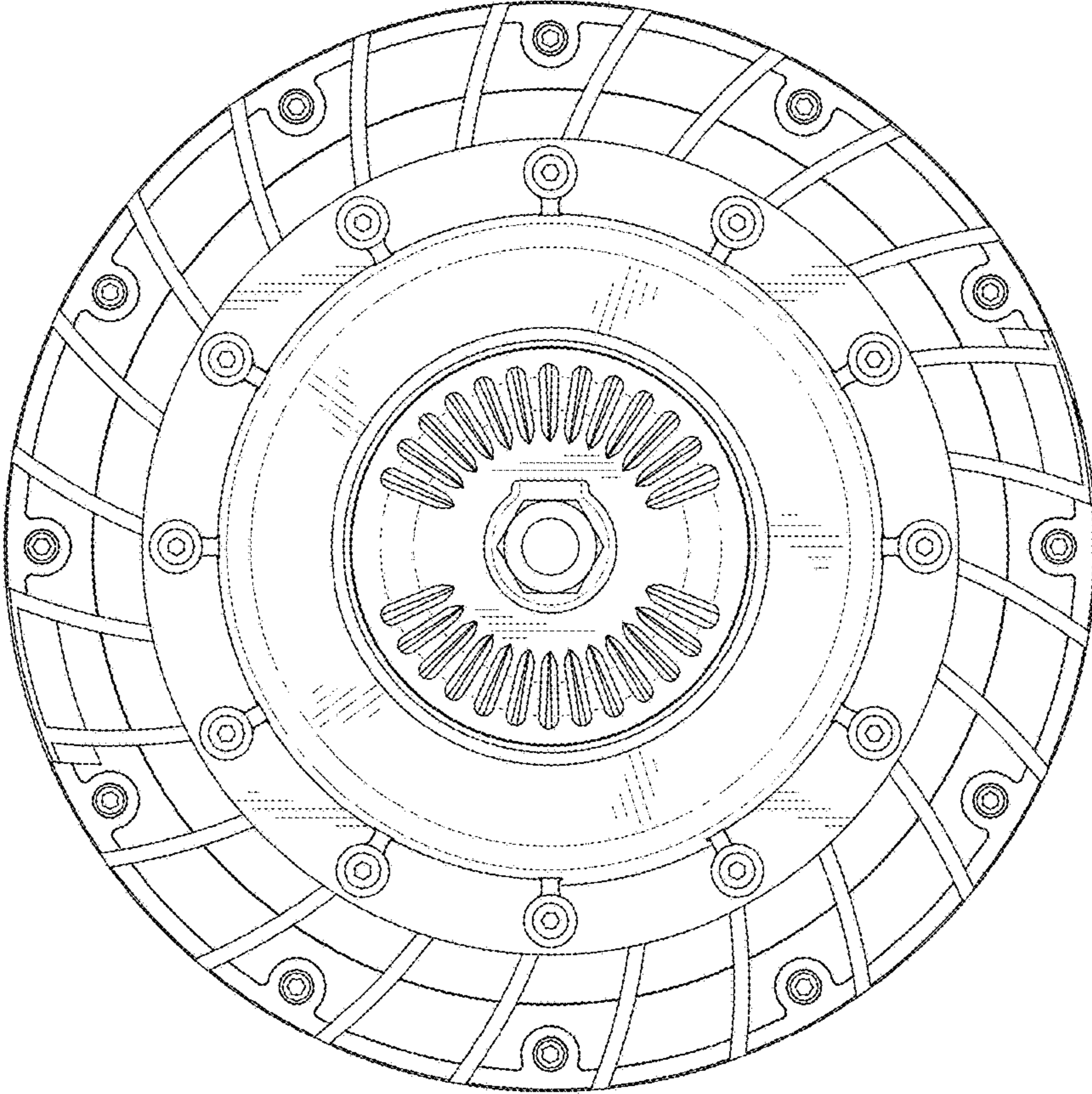


FIG. 7

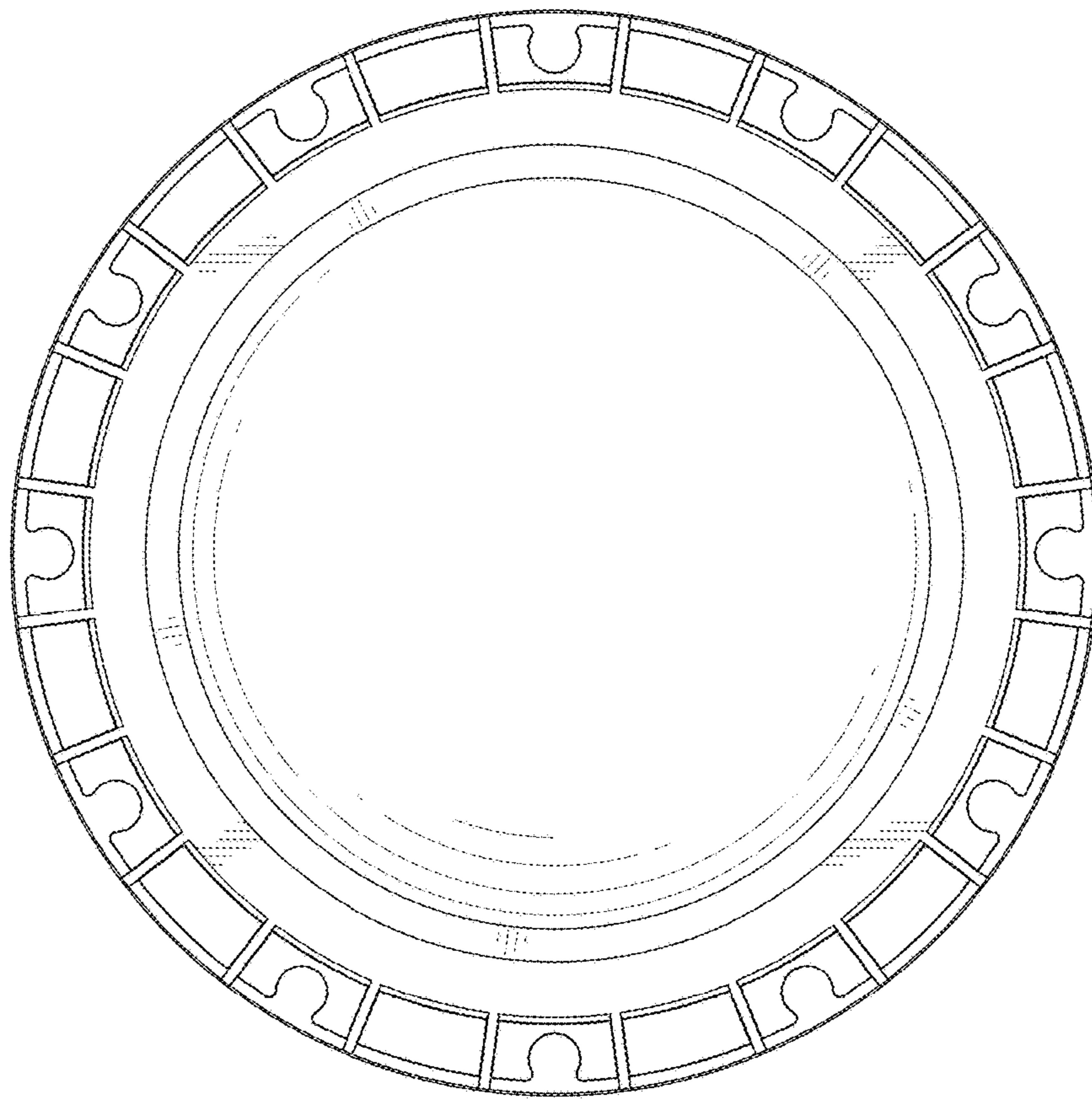


FIG. 8

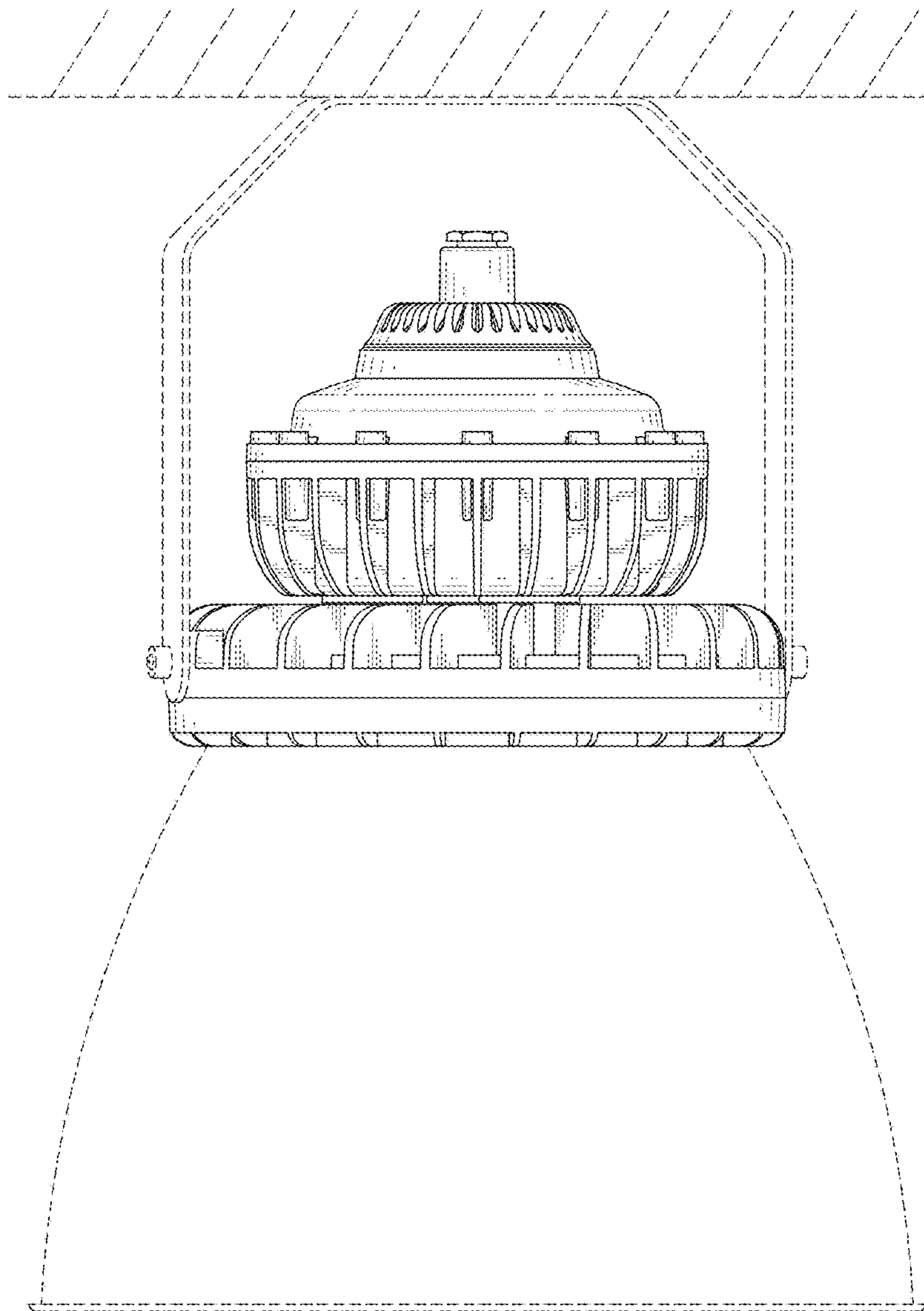


FIG. 9

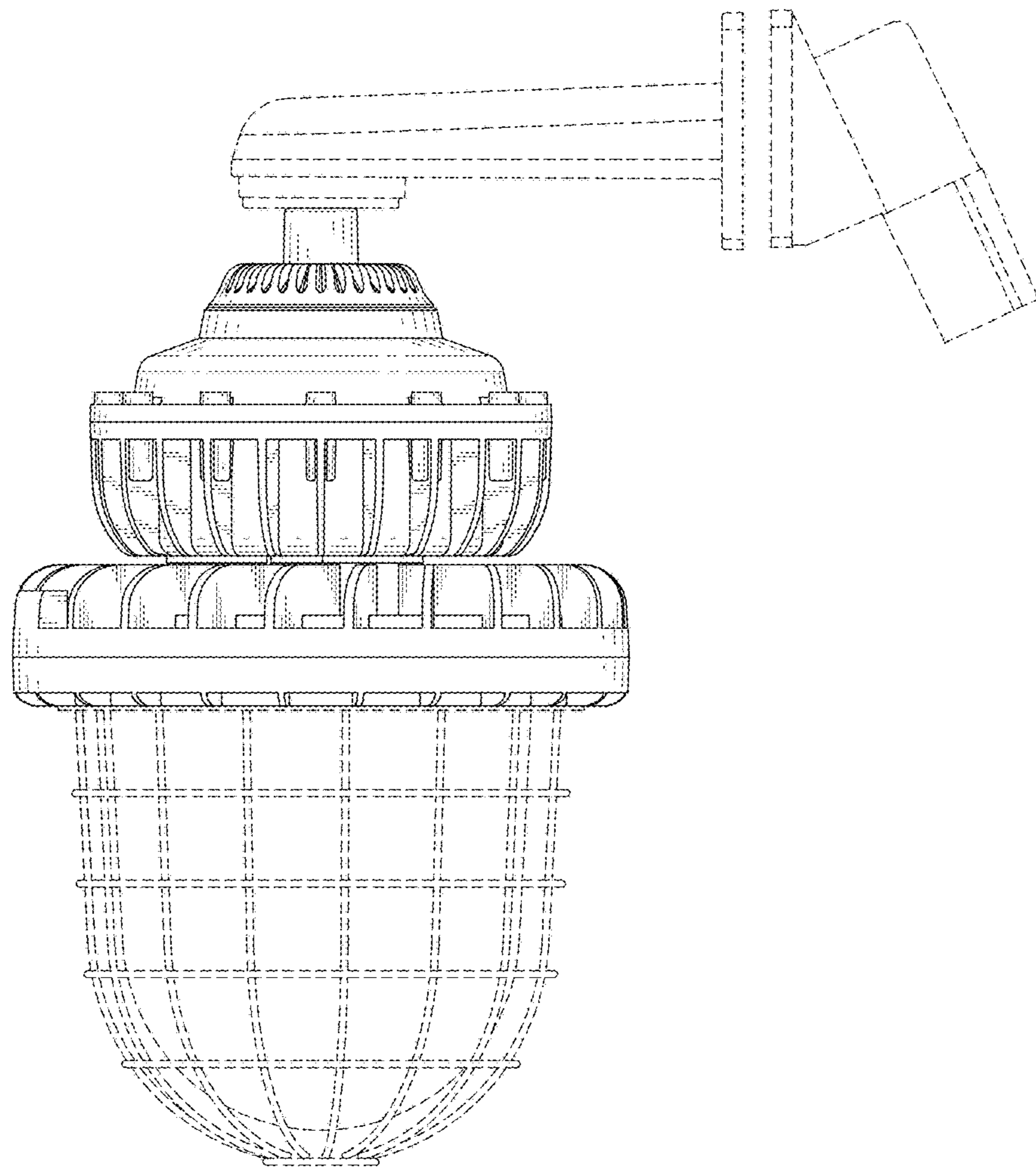


FIG. 10

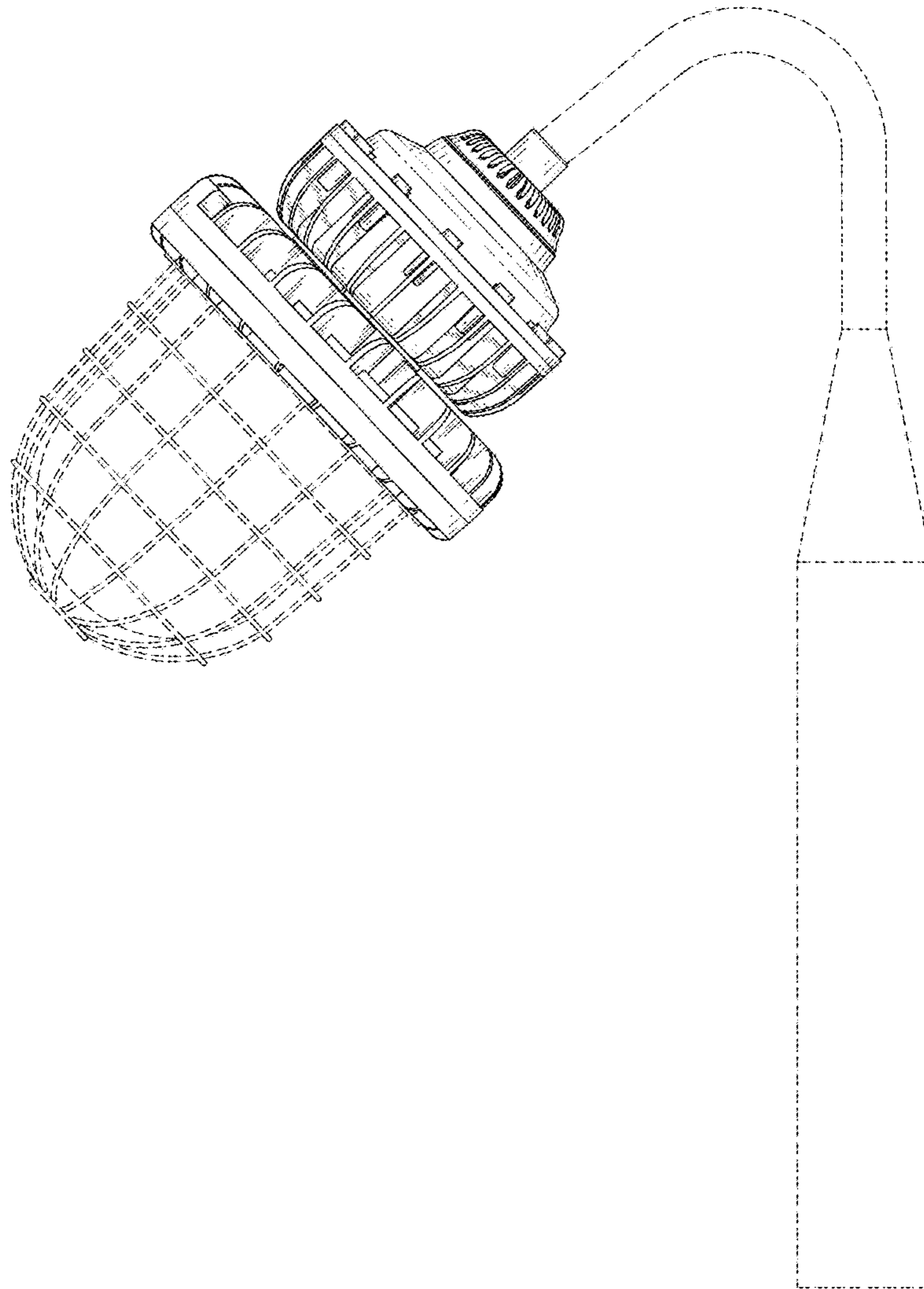


FIG. 11