



US00D845537S

(12) **United States Design Patent**  
**Gambrel et al.**

(10) **Patent No.:** **US D845,537 S**

(45) **Date of Patent:** **\*\* Apr. 9, 2019**

(54) **LIGHTING FIXTURE**

(71) Applicant: **The Urban Electric Company**, North Charleston, SC (US)

(72) Inventors: **Steven Gambrel**, New York, NY (US); **Michael Amato**, Johns Island, SC (US); **David Dawson**, Charleston, SC (US); **Jonathan Charpia**, Summerville, SC (US); **Christopher Roof**, Charleston, SC (US); **Joeangel Casanova**, North Charleston, SC (US); **Courtney Salsbury**, Mount Pleasant, SC (US); **Brianna Magagnoli**, North Charleston, SC (US)

(73) Assignee: **The Urban Electric Company**, North Charleston, SC (US)

(\*\*) Term: **15 Years**

(21) Appl. No.: **29/622,398**

(22) Filed: **Oct. 17, 2017**

(51) **LOC (11) Cl.** ..... **26-03**

(52) **U.S. Cl.**  
USPC ..... **D26/88**

(58) **Field of Classification Search**  
USPC ..... D26/81-92, 118  
CPC .... F21S 8/06; F21S 8/061; F21S 8/063; F21S 8/065; F21V 5/06

See application file for complete search history.

(56) **References Cited**

**U.S. PATENT DOCUMENTS**

D35,908 S \* 5/1902 Jamison ..... D26/81  
909,405 A \* 1/1909 Handel ..... F21S 8/063  
248/317

D62,643 S \* 7/1923 Pfleager ..... D26/81  
2,319,736 A \* 5/1943 Jarmolowsky ..... F21S 8/065  
200/11 E  
D209,226 S \* 11/1967 Powers, Jr. .... D26/91  
D228,147 S \* 8/1973 Boros ..... D26/88  
3,973,116 A \* 8/1976 Leonard ..... F21S 8/06  
362/405  
D694,938 S \* 12/2013 Dolan ..... D26/87  
D755,432 S \* 5/2016 Orozco ..... D26/82  
D779,102 S \* 2/2017 Garraton ..... D26/81  
D833,053 S \* 11/2018 Tomlinson ..... D26/81

\* cited by examiner

*Primary Examiner* — Clare E Heflin

(74) *Attorney, Agent, or Firm* — Jeffrey T. Stover;  
Haynsworth Sinkler Boyd, P.A.

(57) **CLAIM**

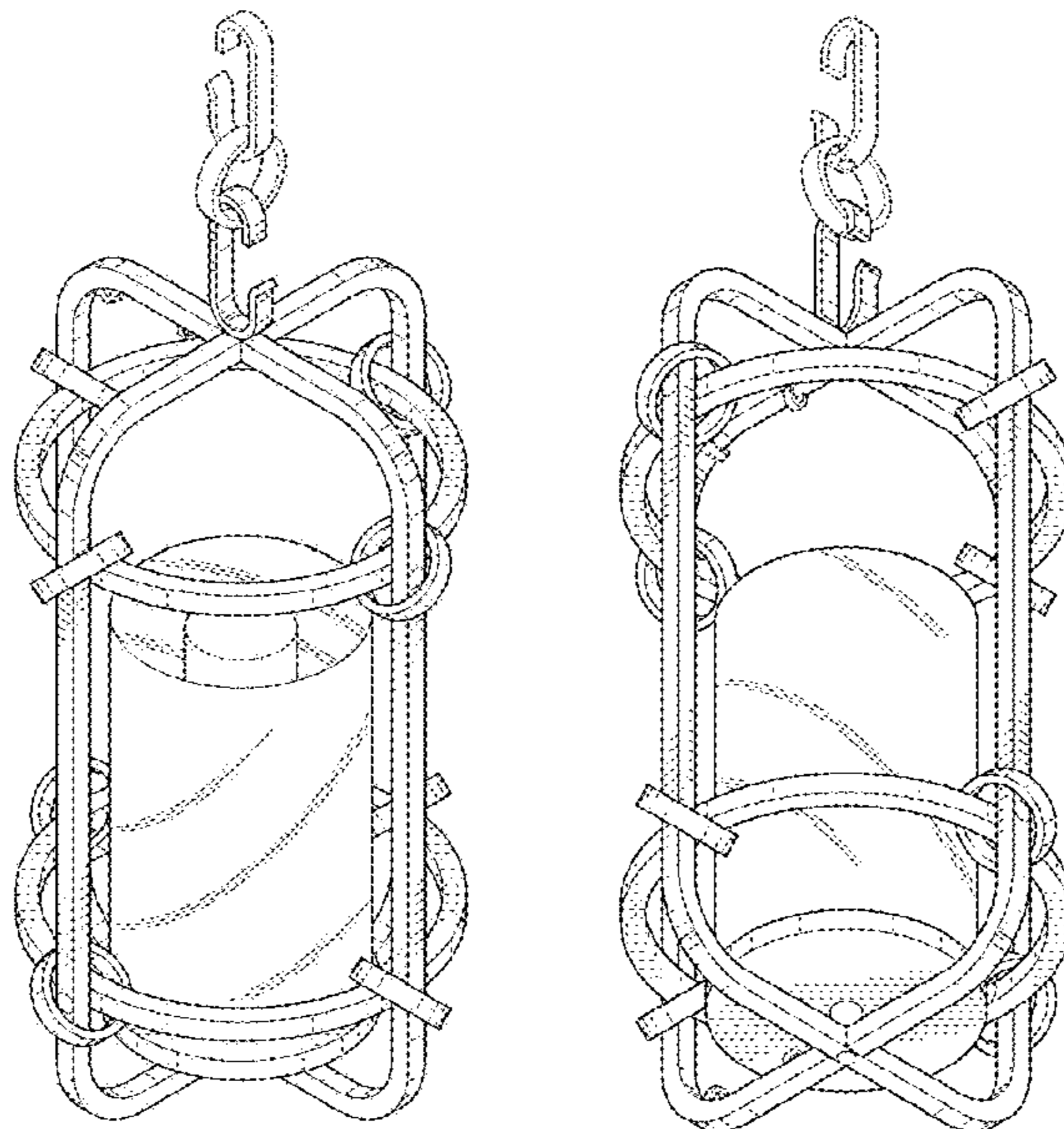
The ornamental design for a lighting fixture, as shown and described.

**DESCRIPTION**

FIG. 1 is a top perspective view of a new lighting fixture; FIG. 2 is a bottom perspective view thereof; FIG. 3 is a left elevation view thereof; FIG. 4 is a right elevational view thereof; FIG. 5 is a front elevation view thereof; FIG. 6 is a back elevation view thereof; FIG. 7 is a top plan view thereof; and, FIG. 8 is a bottom plan view thereof.

The broken line disclosures in the views represent portions of the lighting fixture which form no part of the claimed design.

**1 Claim, 8 Drawing Sheets**



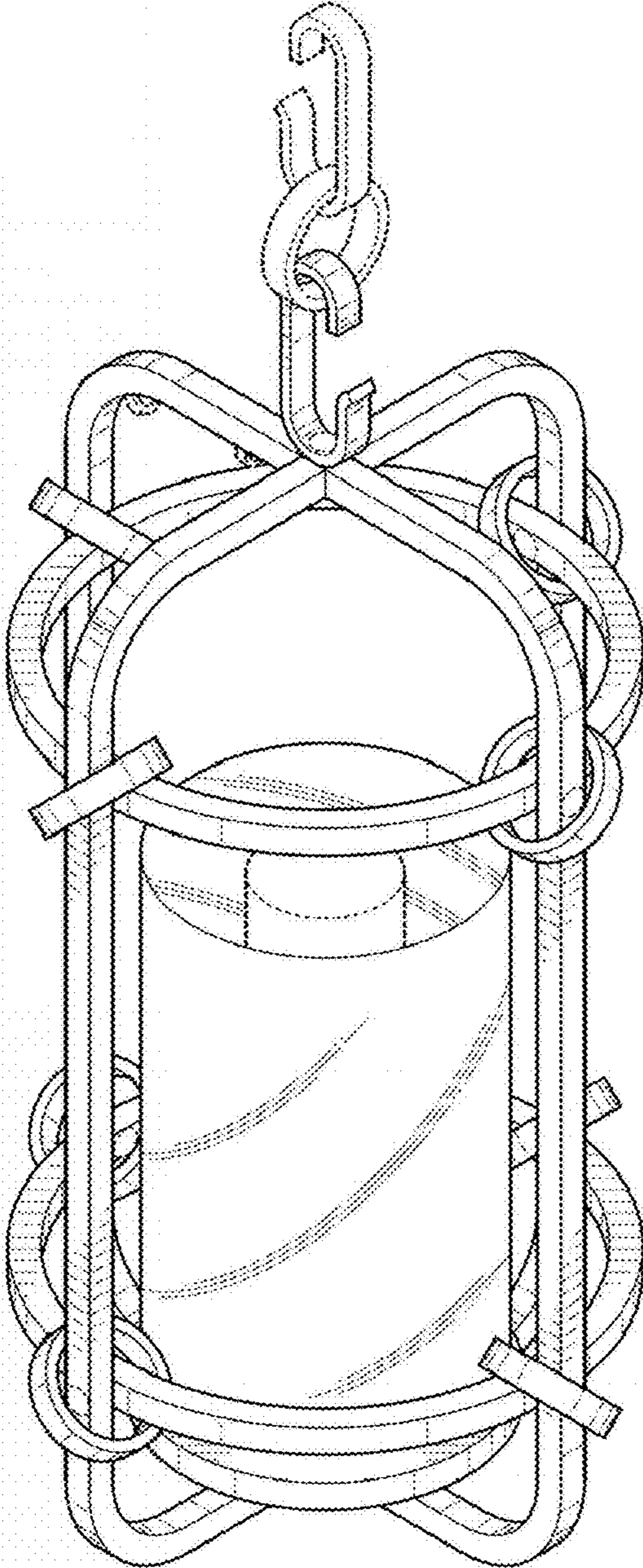


FIG. 1



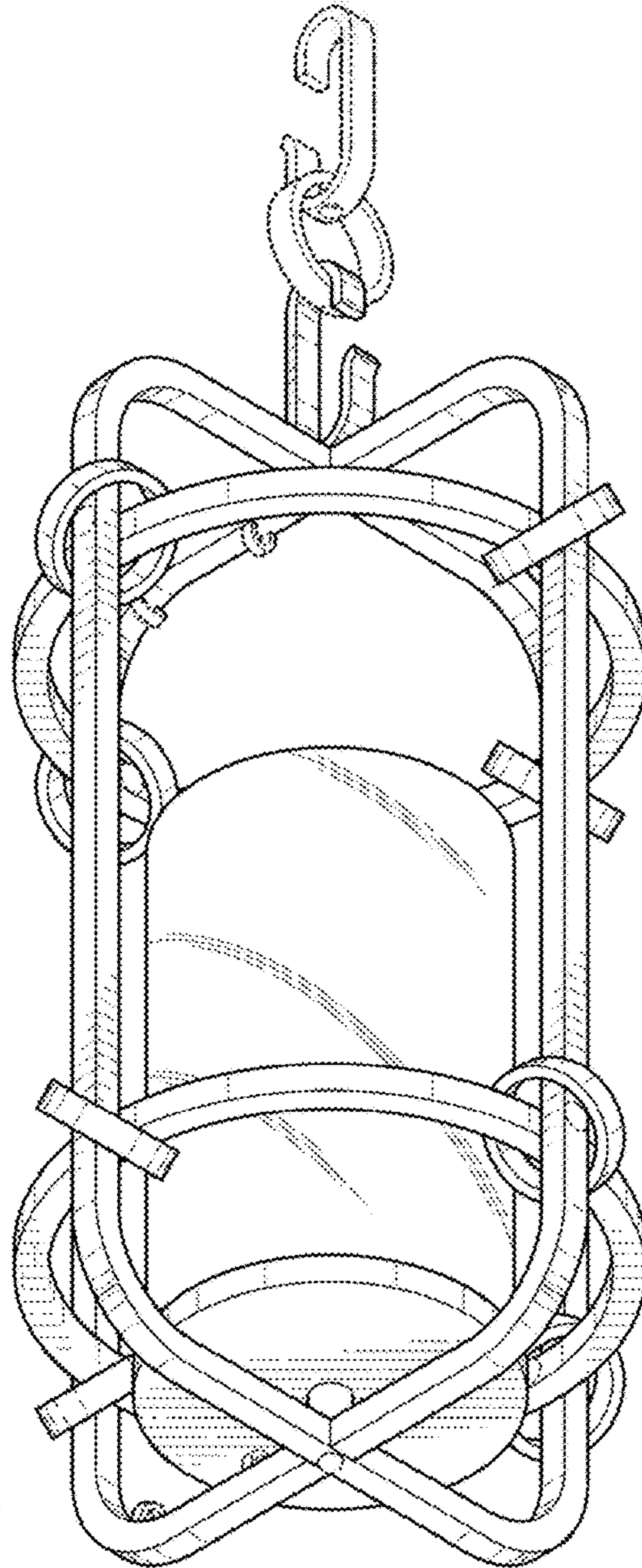


FIG. 2

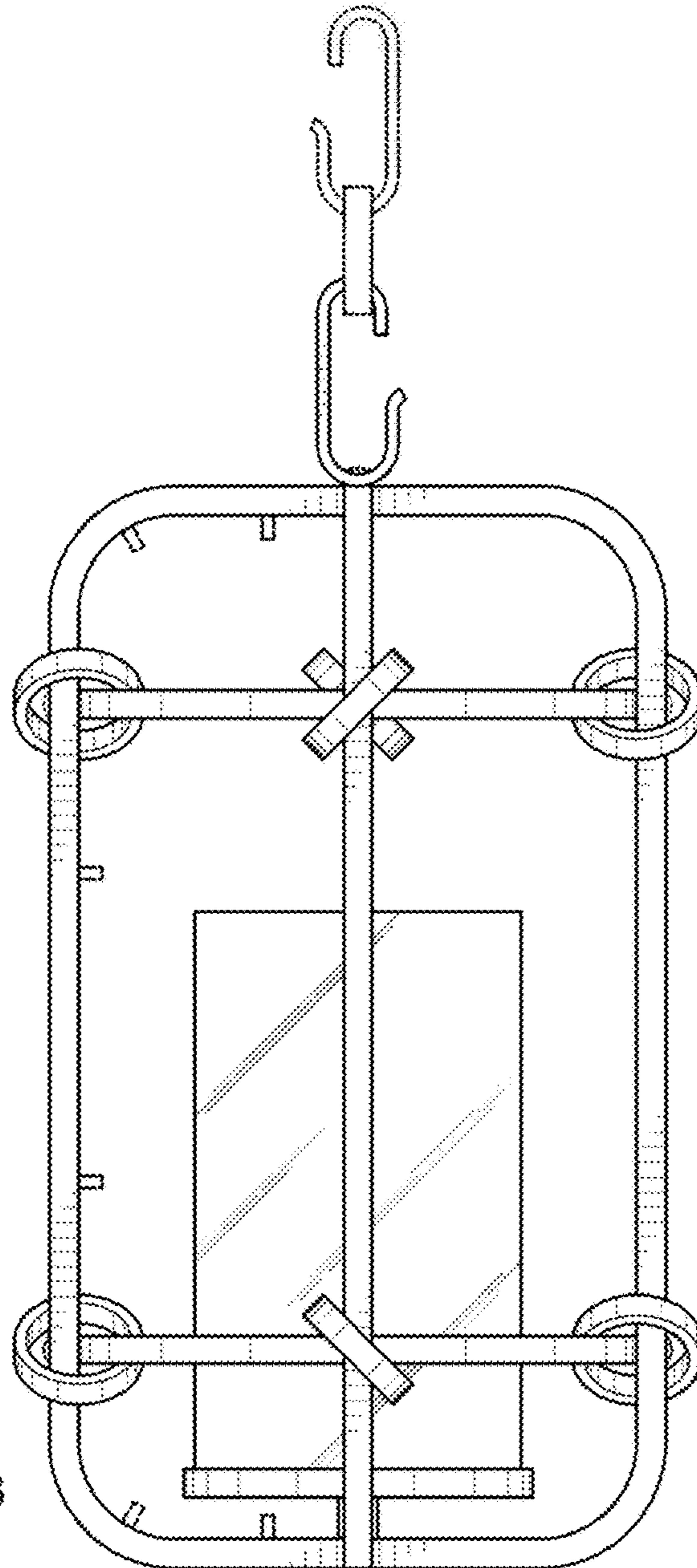


FIG. 3

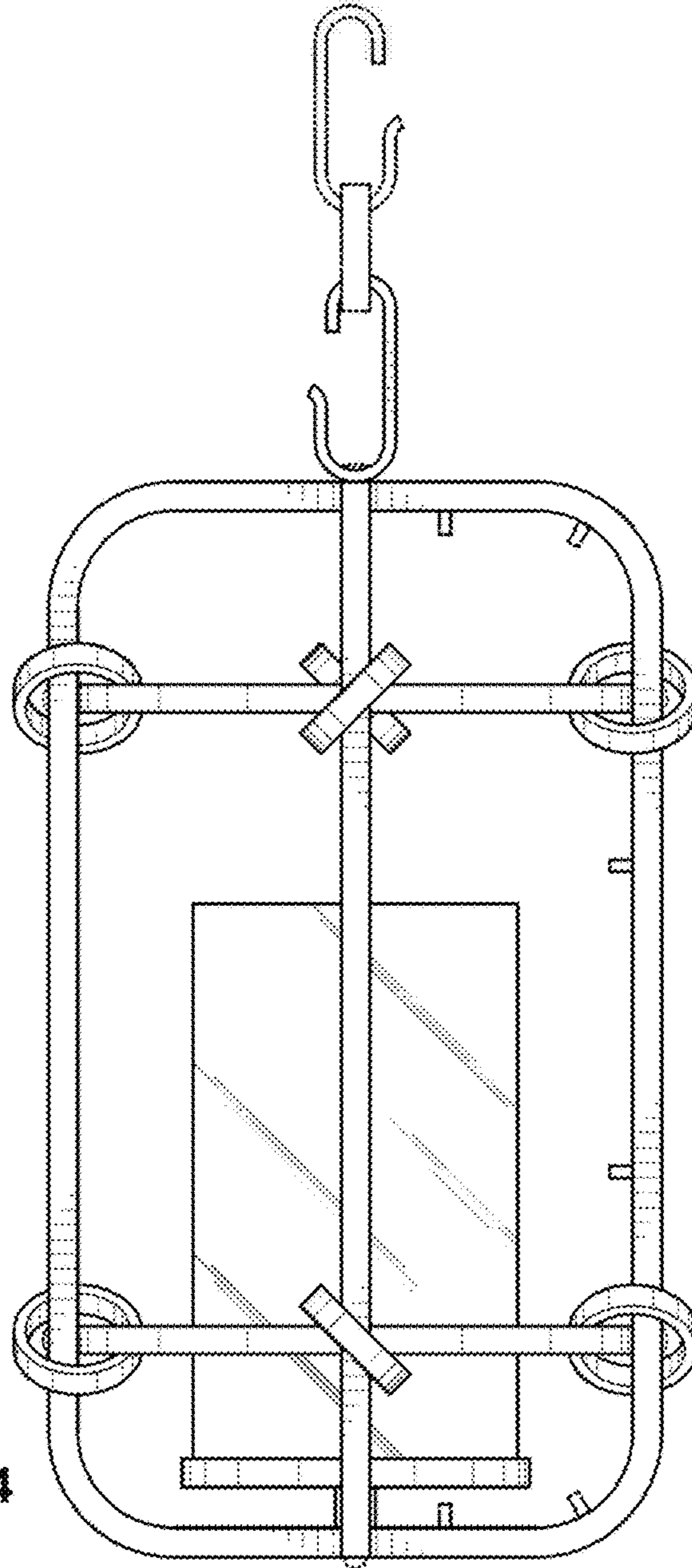


FIG. 4

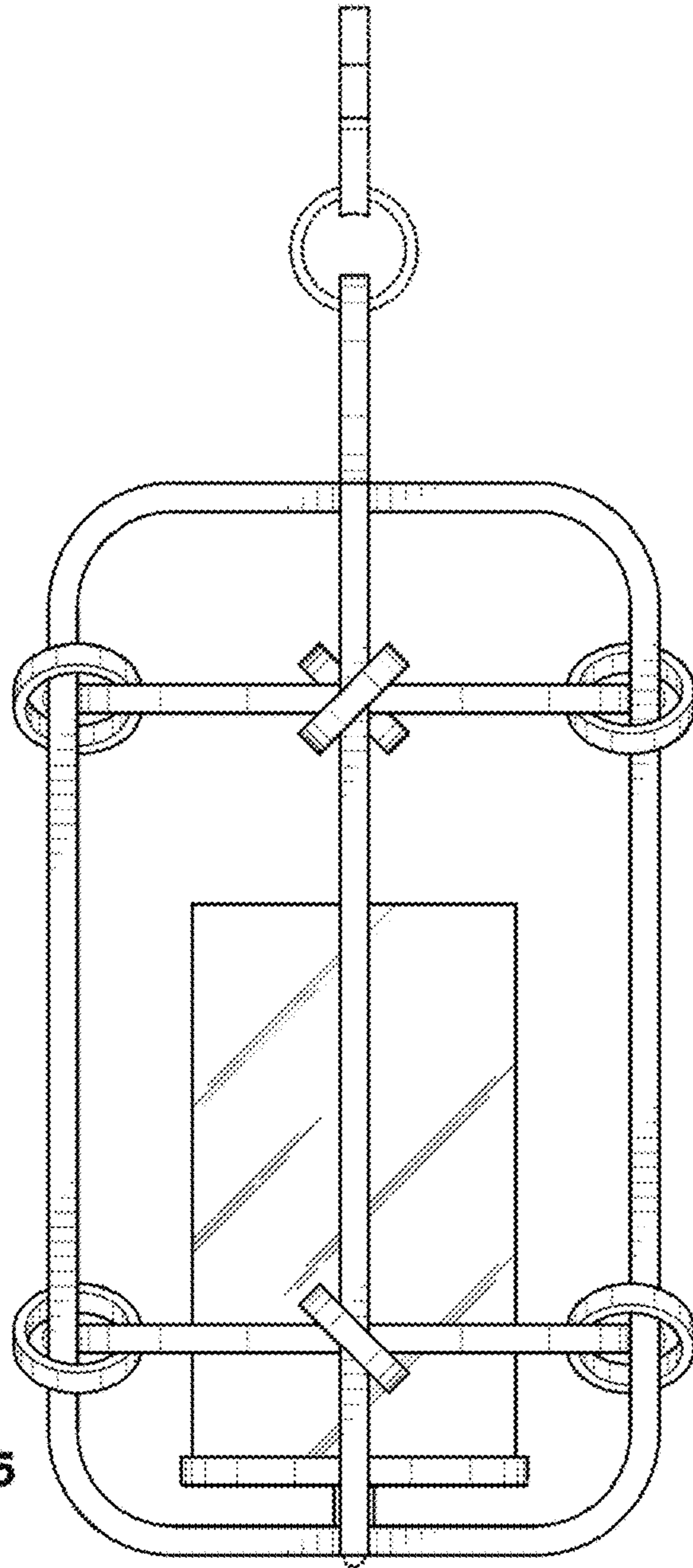


FIG. 5

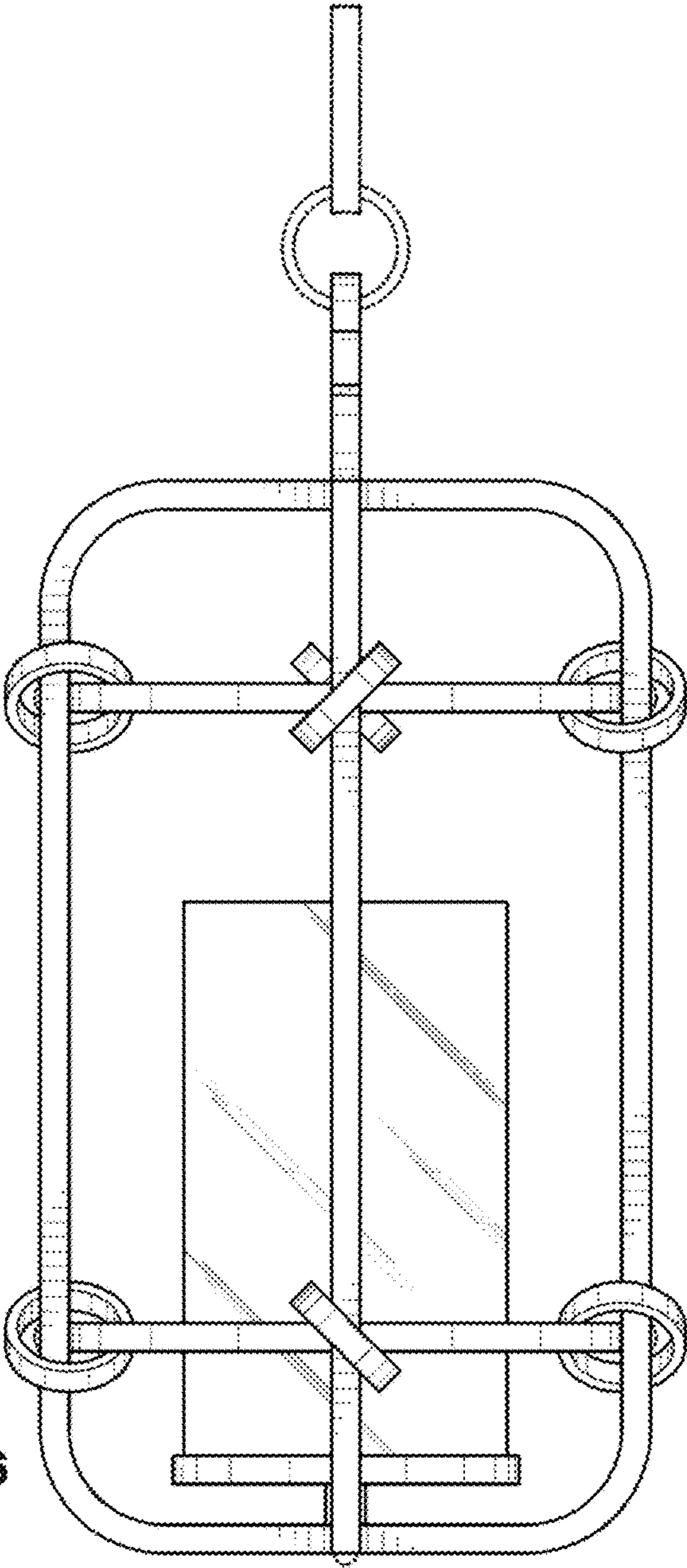


FIG. 6



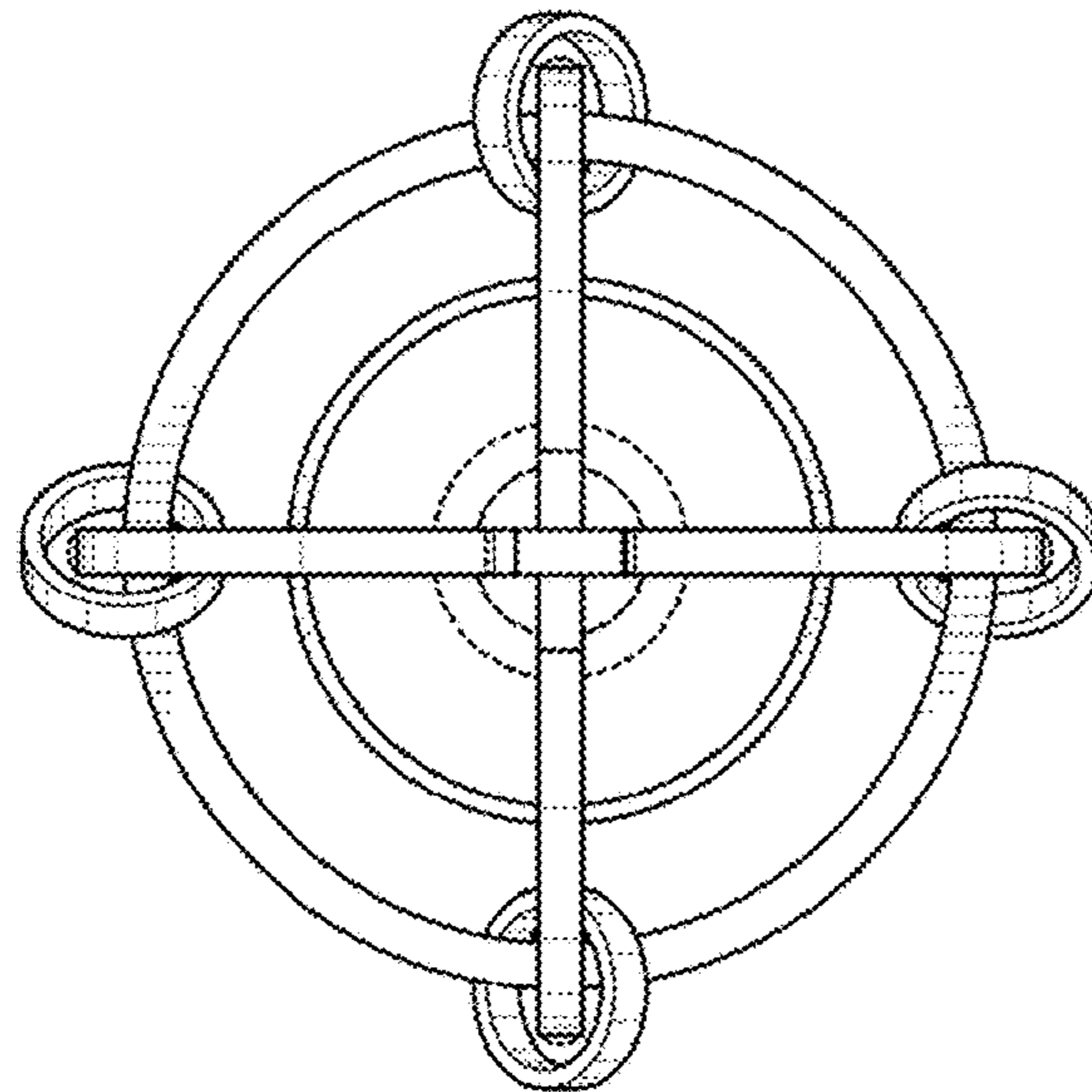


FIG. 7



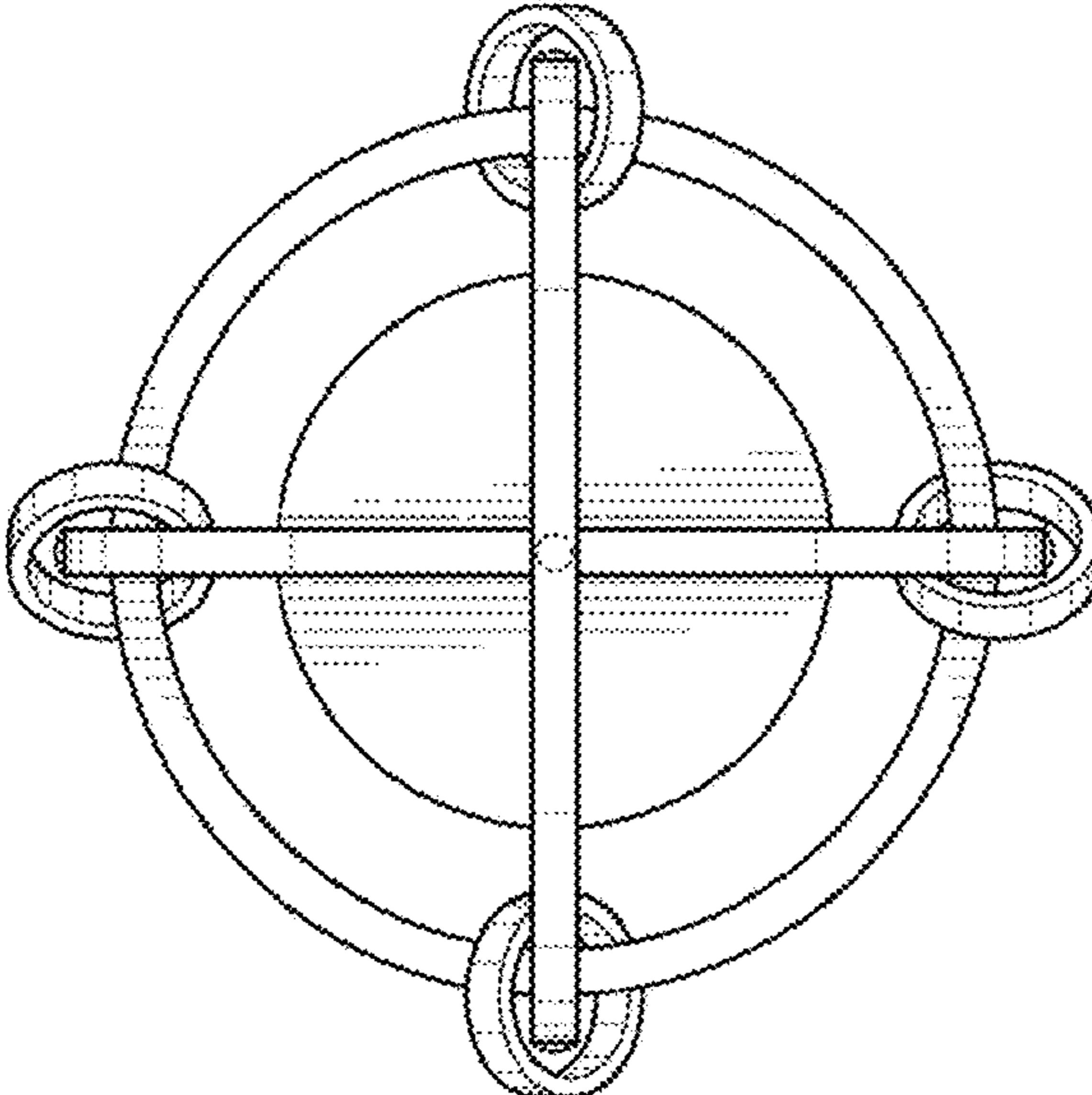


FIG. 8