



US00D845535S

(12) **United States Design Patent**
Van Duysen

(10) **Patent No.:** **US D845,535 S**

(45) **Date of Patent:** **** Apr. 9, 2019**

(54) **LIGHTING FIXTURE**

(71) Applicant: **ANTARES ILUMINACION, S.A.U.**,
Ribarroja (Valencia) (ES)

(72) Inventor: **Vincent Van Duysen**, Antwerp (BE)

(73) Assignee: **ANTARES ILUMINACION, S.A.U.**,
Ribarroja (Valencia) (ES)

(**) Term: **15 Years**

(21) Appl. No.: **29/616,591**

(22) Filed: **Sep. 7, 2017**

(30) **Foreign Application Priority Data**

Mar. 31, 2017 (EM) 003832633-0002

(51) **LOC (11) Cl.** **26-03**

(52) **U.S. Cl.**
USPC **D26/87; D26/137**

(58) **Field of Classification Search**
USPC D26/85, 87, 92, 86, 137
CPC F21S 8/03; F21S 8/033; F21S 8/035; F21S
8/036; F21S 8/037; F21S 8/04; F21S
13/02; F21V 21/02; F21W 2121/004;
F21W 2131/109

See application file for complete search history.

(56) **References Cited**

U.S. PATENT DOCUMENTS

D29,471 S * 10/1898 Creveling D26/137
D442,317 S * 5/2001 Crosby D26/87
D465,298 S * 11/2002 Gottwald D26/85

D487,815 S * 3/2004 Hoernig D26/87
D549,384 S * 8/2007 Grawunder D26/85
D590,089 S * 4/2009 Citterio D26/87
D720,490 S * 12/2014 Bahler D26/87
9,318,886 B1 * 4/2016 Pate F21V 21/02
D783,882 S * 4/2017 Dolan D26/87
D802,200 S * 11/2017 Sonneman D26/87
D828,609 S * 9/2018 Barber D26/85

OTHER PUBLICATIONS

Hough 1-Light Outdoor Sconce at allmodern.com as early as Jul.
13, 2016. (Year: 2016).*

* cited by examiner

Primary Examiner — Clare E Heflin

(74) *Attorney, Agent, or Firm* — Abelman, Frayne &
Schwab

(57) **CLAIM**

The ornamental design for a lighting fixture, as shown and
described.

DESCRIPTION

FIG. 1 is a top, front, left side perspective view of a lighting
fixture showing our new design;
FIG. 2 is a top plan view thereof;
FIG. 3 is a left side elevational view thereof;
FIG. 4 is a rear elevational view thereof;
FIG. 5 is a bottom plan view thereof
FIG. 6 is a right side elevational view thereof; and,
FIG. 7 is a front elevational view thereof.

The broken lines showing structural features are included for
the purpose of illustrating non-claimed subject matter and
form no part of the claimed design.

1 Claim, 7 Drawing Sheets

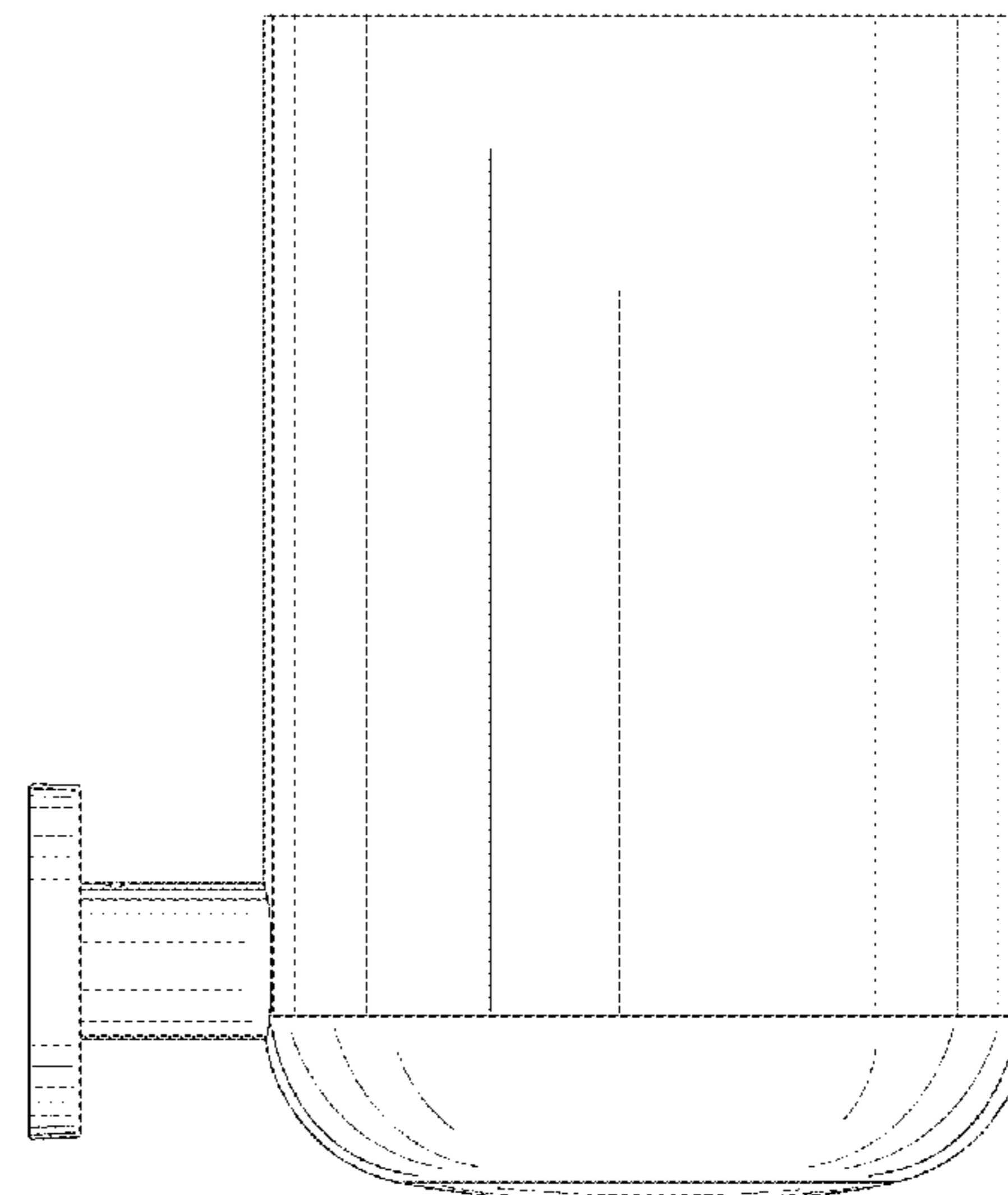
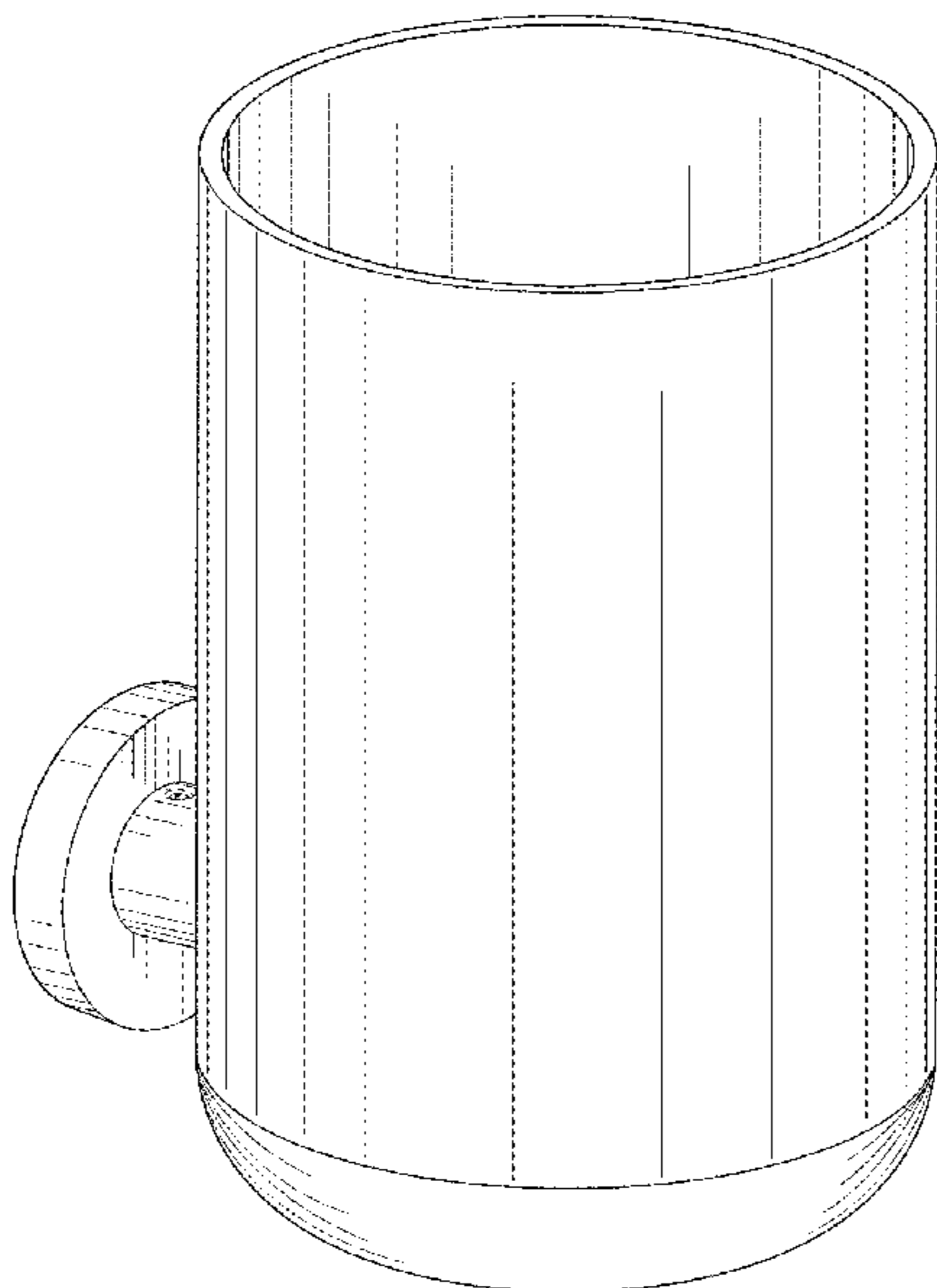


FIG. 1

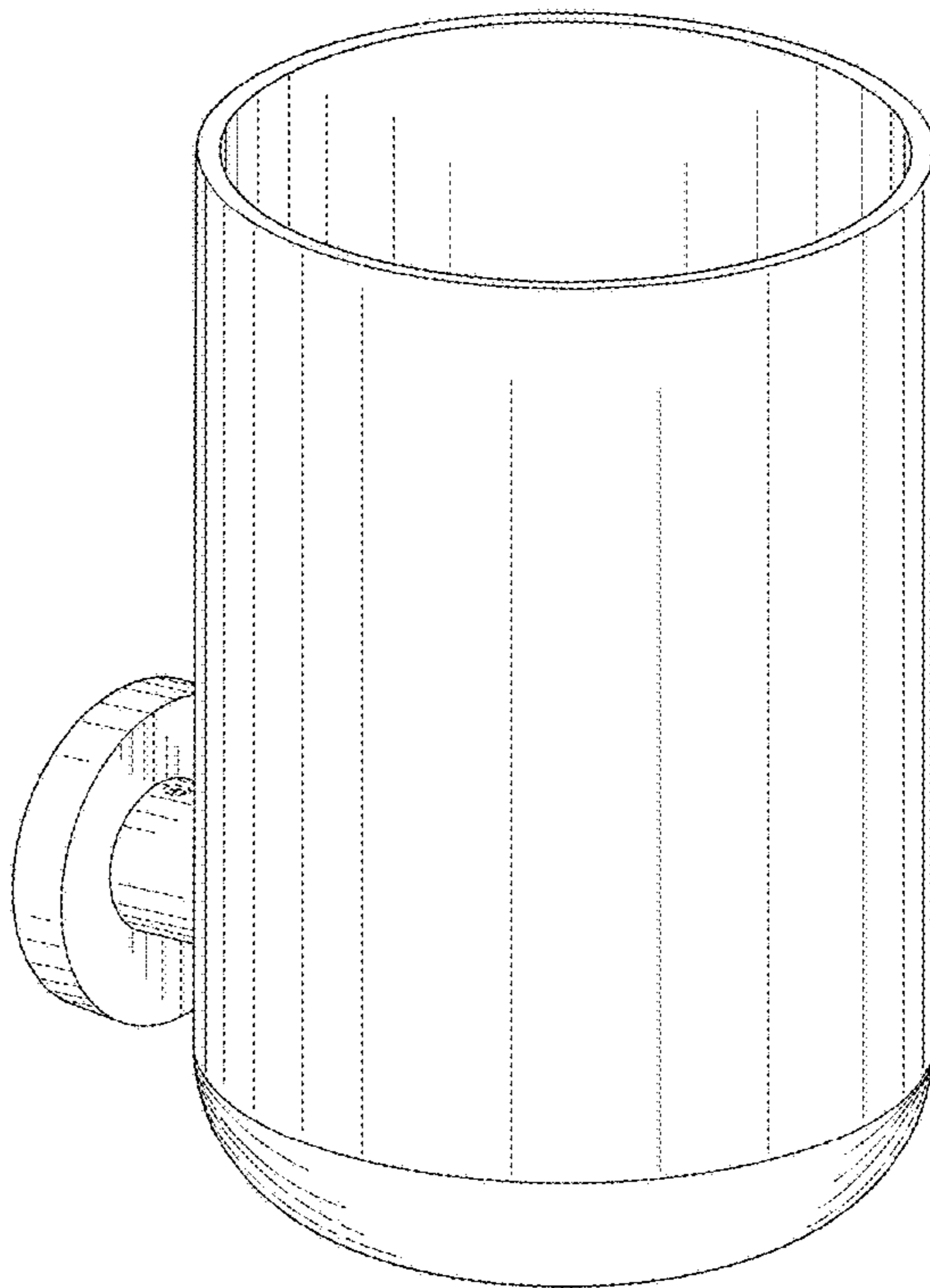


FIG. 2

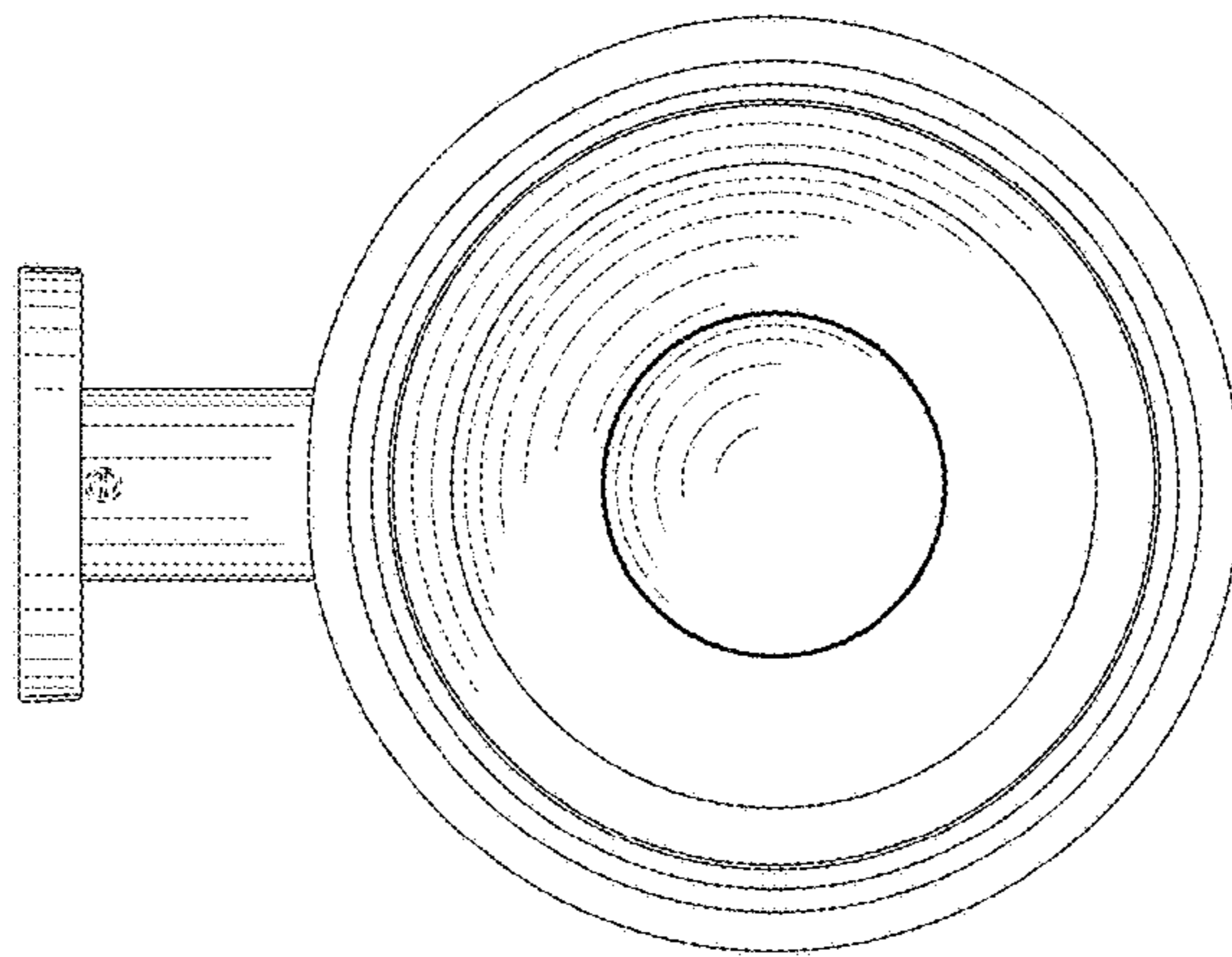


FIG. 3

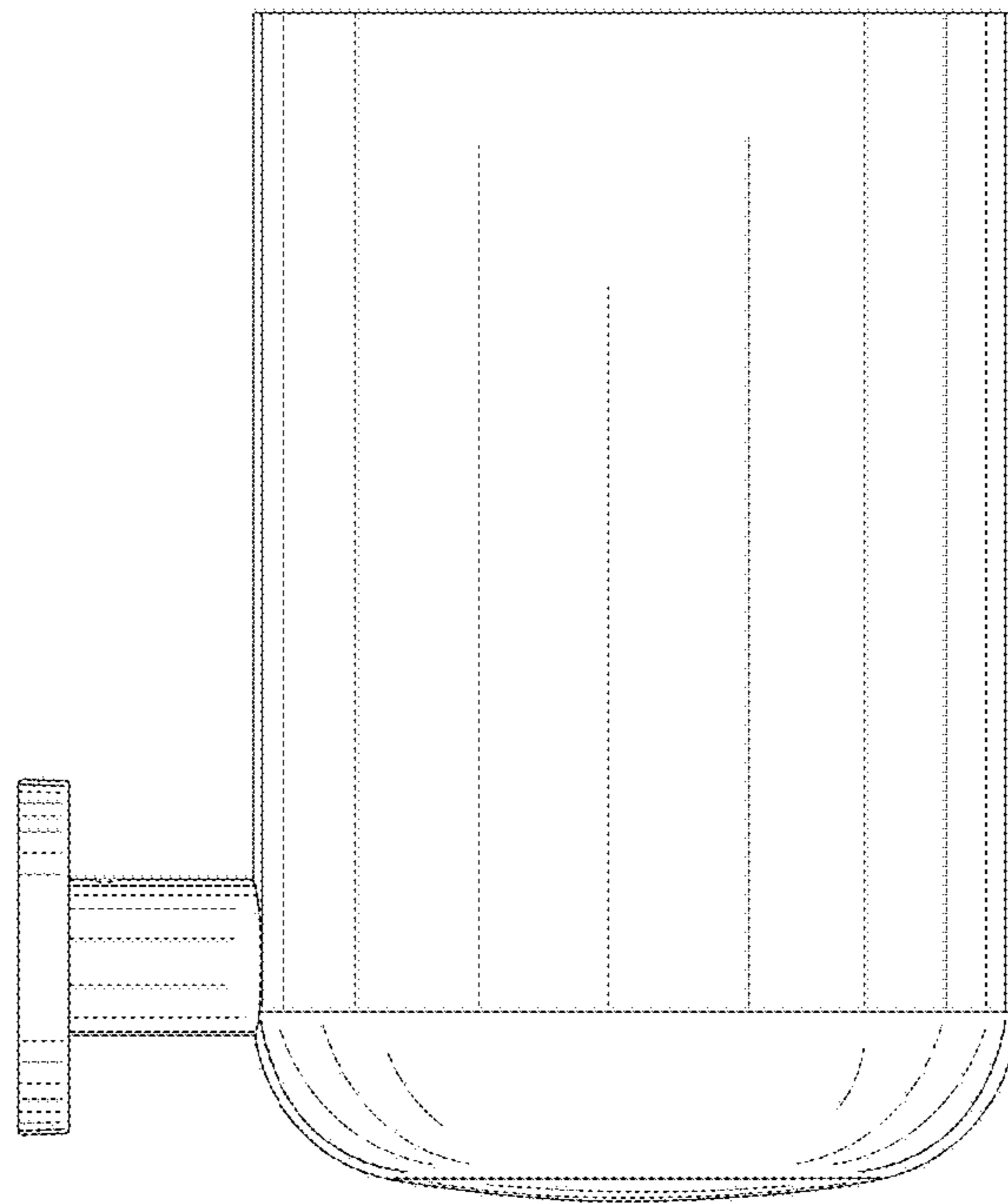


FIG. 4

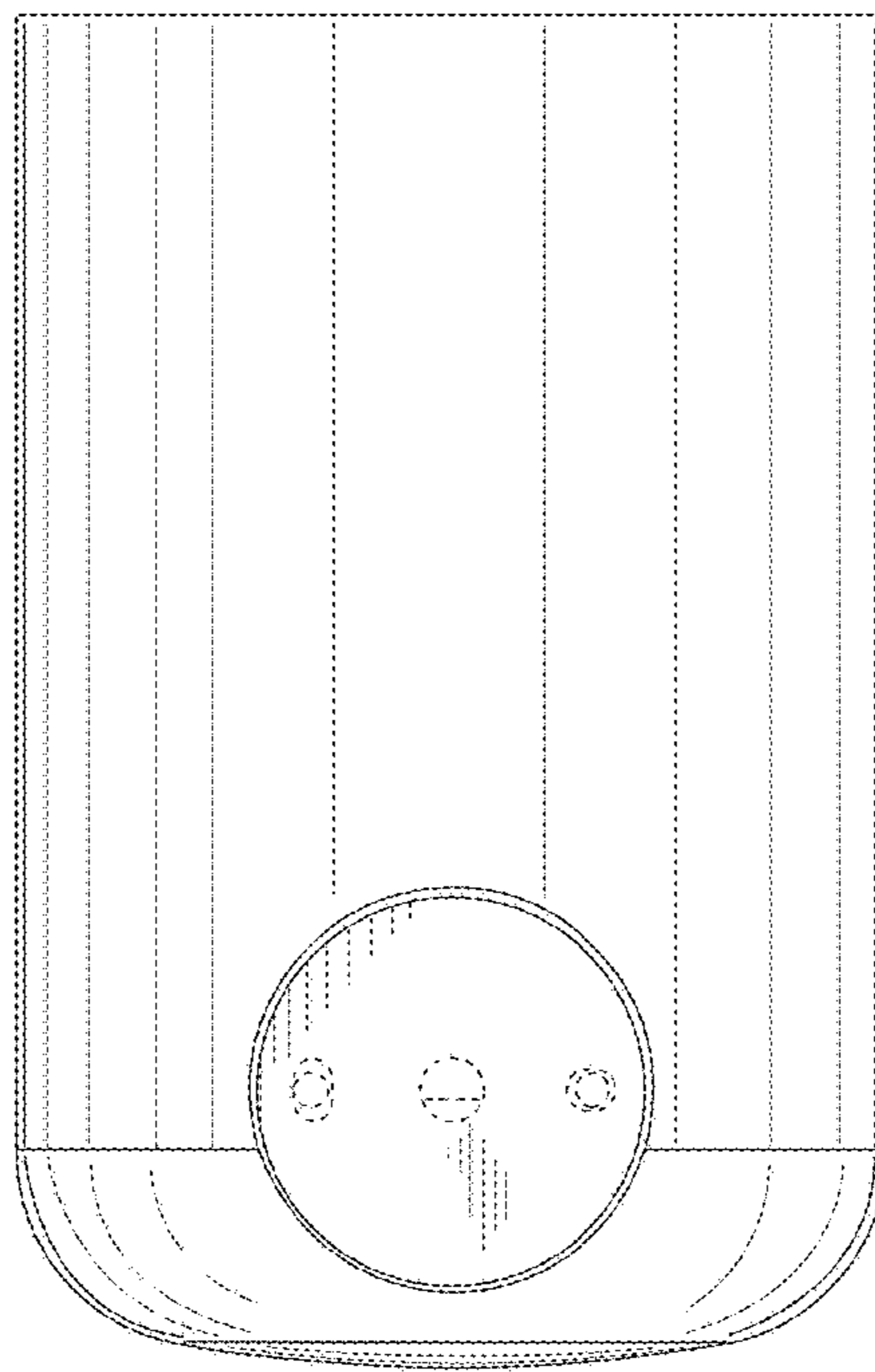


FIG. 5

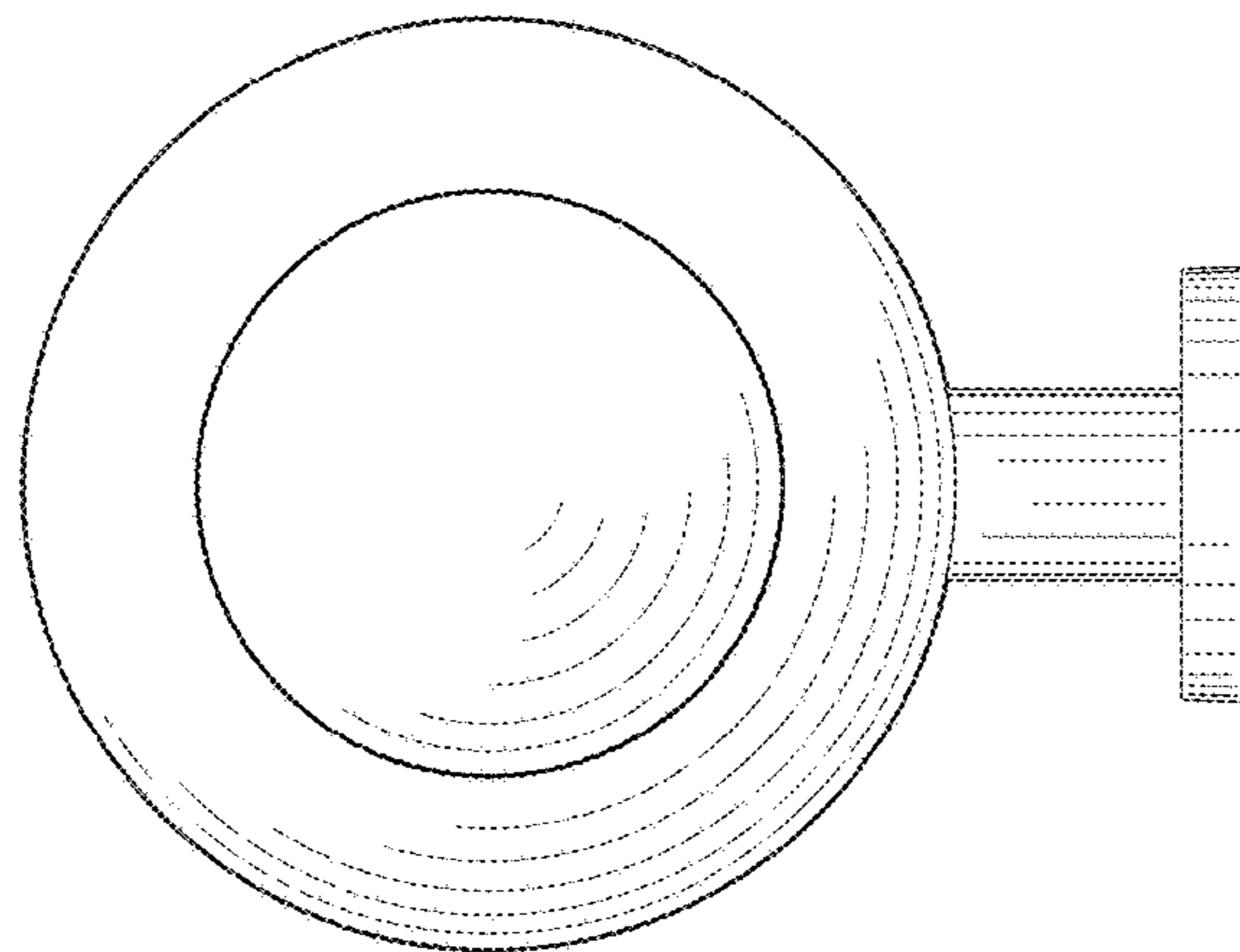


FIG. 6

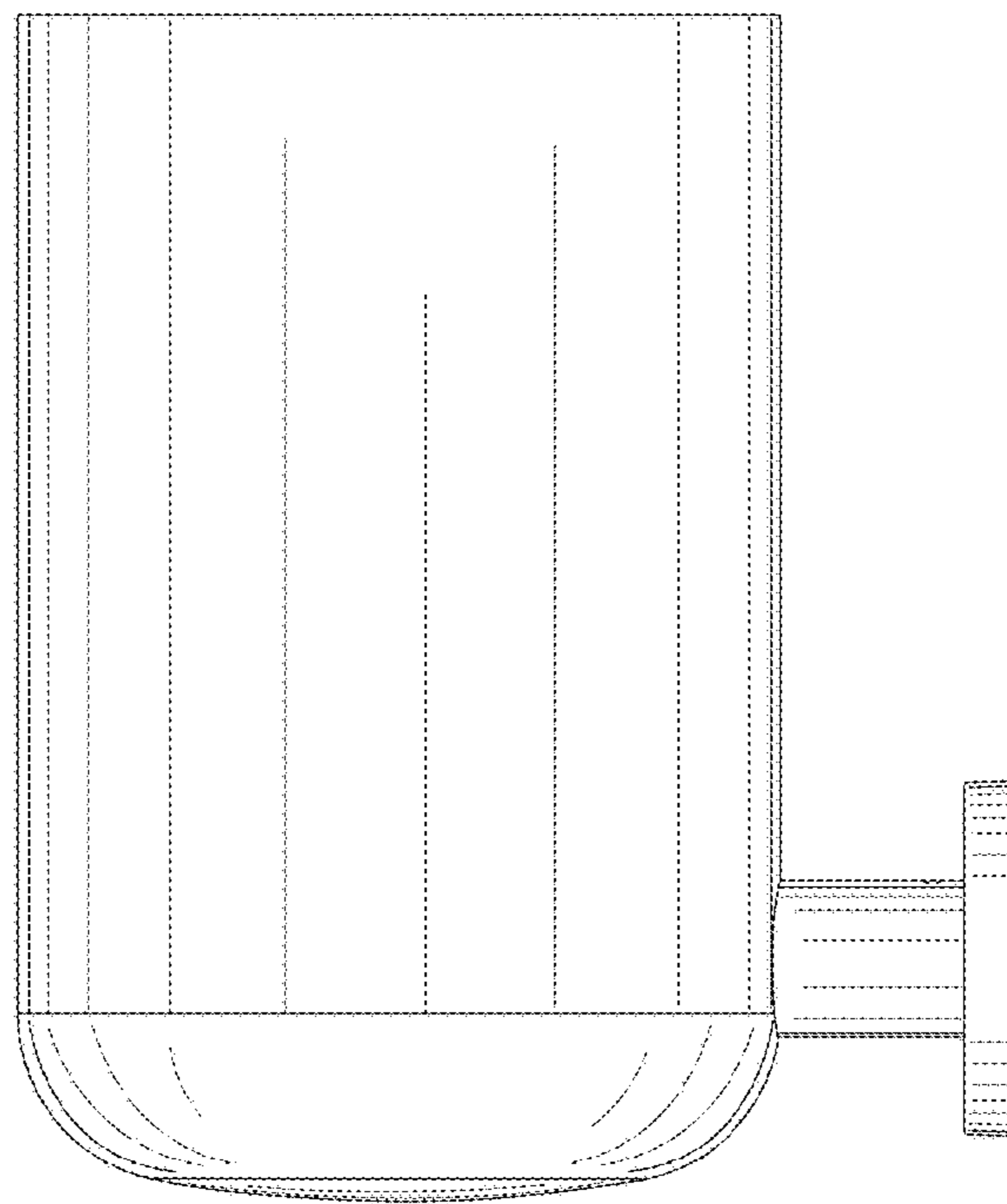


FIG. 7

