



US00D845534S

(12) **United States Design Patent** (10) **Patent No.:** **US D845,534 S**  
**Van Duysen** (45) **Date of Patent:** **\*\* Apr. 9, 2019**

(54) **LIGHTING FIXTURE**  
(71) Applicant: **ANTARES ILUMINACION, S.A.U.**,  
Ribarroja (Valencia) (ES)  
(72) Inventor: **Vincent Van Duysen**, Antwerp (BE)  
(73) Assignee: **ANTARES ILUMINACION, S.A.U.**,  
Ribarroja (Valencia) (ES)

D465,298 S \* 11/2002 Gottwald ..... D26/85  
D520,143 S \* 5/2006 Yoneda ..... D24/209  
D549,384 S \* 8/2007 Grawunder ..... D26/85  
D590,089 S \* 4/2009 Citterio ..... D26/87  
D633,231 S \* 2/2011 Morrison ..... D26/24  
9,318,886 B1 \* 4/2016 Pate ..... H01R 11/30  
D783,882 S \* 4/2017 Dolan ..... D26/87  
D796,109 S \* 8/2017 Sonneman ..... D26/87  
D802,200 S \* 11/2017 Sonneman ..... D26/87  
D828,609 S \* 9/2018 Barber ..... D26/85

(\*\*) Term: **15 Years**  
(21) Appl. No.: **29/616,575**  
(22) Filed: **Sep. 7, 2017**

**OTHER PUBLICATIONS**

Hough 1-Light Outdoor Sconce at allmodern.com as early as Jul. 13, 2016. (Year: 2016).\*

\* cited by examiner

(30) **Foreign Application Priority Data**  
Mar. 31, 2017 (EM) ..... 003832633-0001

*Primary Examiner* — Clare E Heflin  
(74) *Attorney, Agent, or Firm* — Abelman, Frayne & Schwab

(51) **LOC (11) Cl.** ..... **26-03**  
(52) **U.S. Cl.**  
USPC ..... **D26/87**

(57) **CLAIM**

The ornamental design for a lighting fixture, as shown and described.

(58) **Field of Classification Search**  
USPC ..... D26/85, 87, 92, 86, 137  
CPC .... F21S 8/03; F21S 8/033; F21S 8/035; F21S 8/036; F21S 8/037; F21S 8/04; F21S 13/02; F21V 21/02; F21W 2121/004; F21W 2131/109  
See application file for complete search history.

**DESCRIPTION**

FIG. 1 is a top, front, left side perspective view of a lighting fixture showing our new design;  
FIG. 2 is a top plan view thereof;  
FIG. 3 is a rear elevational view thereof;  
FIG. 4 is a left side elevational view thereof;  
FIG. 5 is a bottom plan view thereof  
FIG. 6 is a right side elevational view thereof; and,  
FIG. 7 is a front elevational view thereof.  
The broken lines showing structural features are included for the purpose of illustrating non-claimed subject matter and form no part of the claimed design.

(56) **References Cited**  
**U.S. PATENT DOCUMENTS**  
D29,471 S \* 10/1898 Creveling ..... D26/137  
4,317,164 A \* 2/1982 Karaktin ..... F21S 8/08 362/147  
D294,645 S \* 3/1988 Ewing ..... D26/24  
D295,792 S \* 5/1988 Ewing ..... D26/71  
D408,938 S \* 4/1999 Miyatake ..... D26/87  
D442,317 S \* 5/2001 Crosby ..... D26/87

**1 Claim, 7 Drawing Sheets**

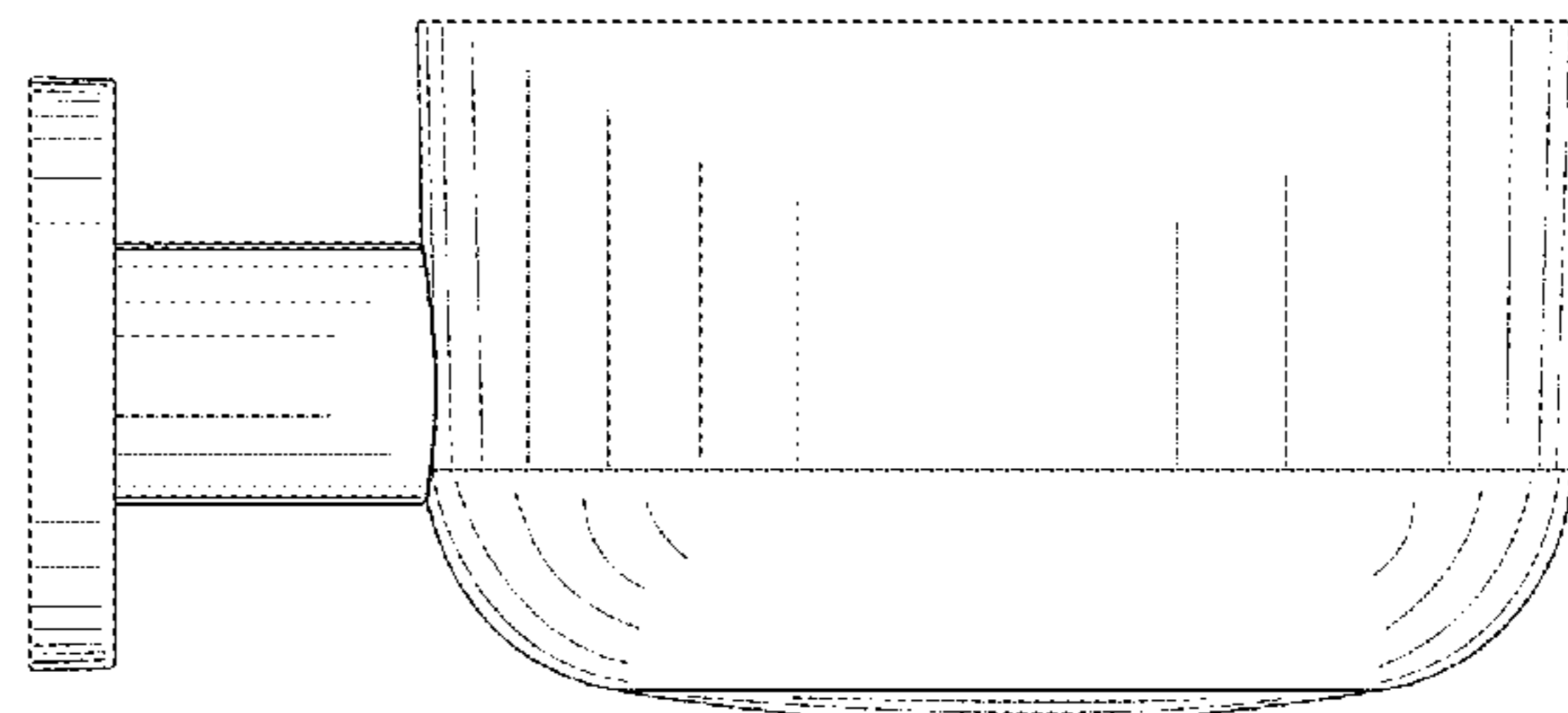
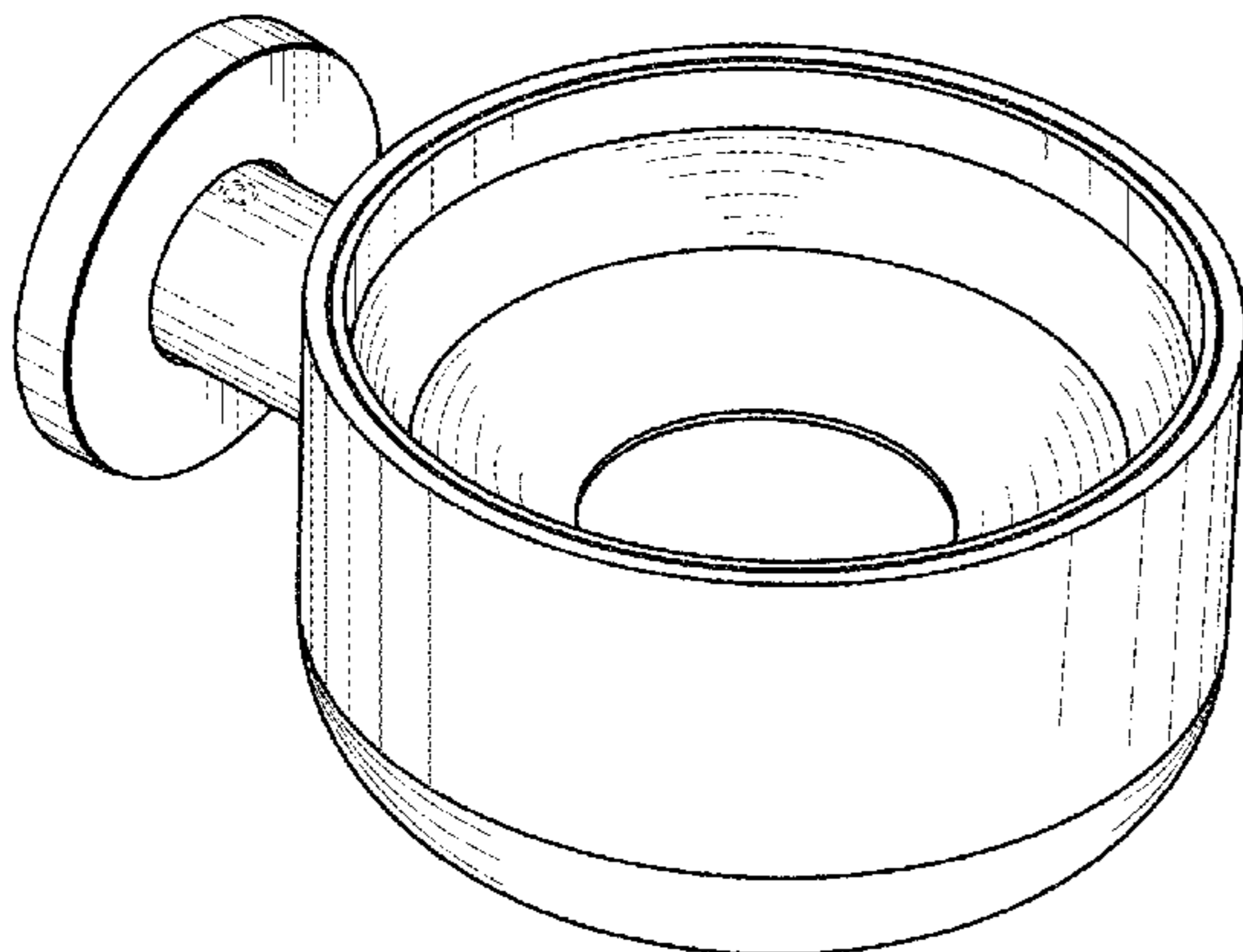


FIG. 1

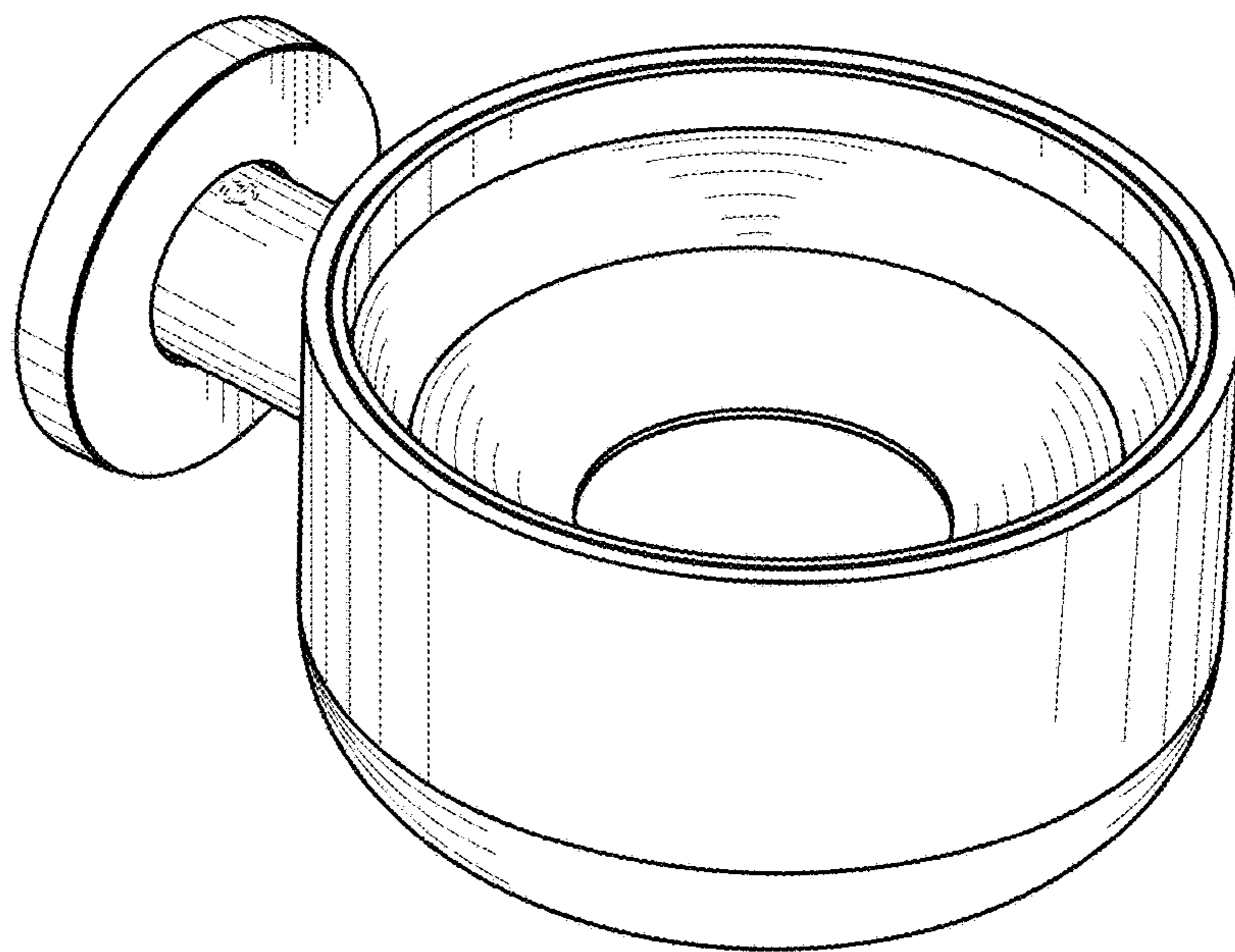


FIG. 2

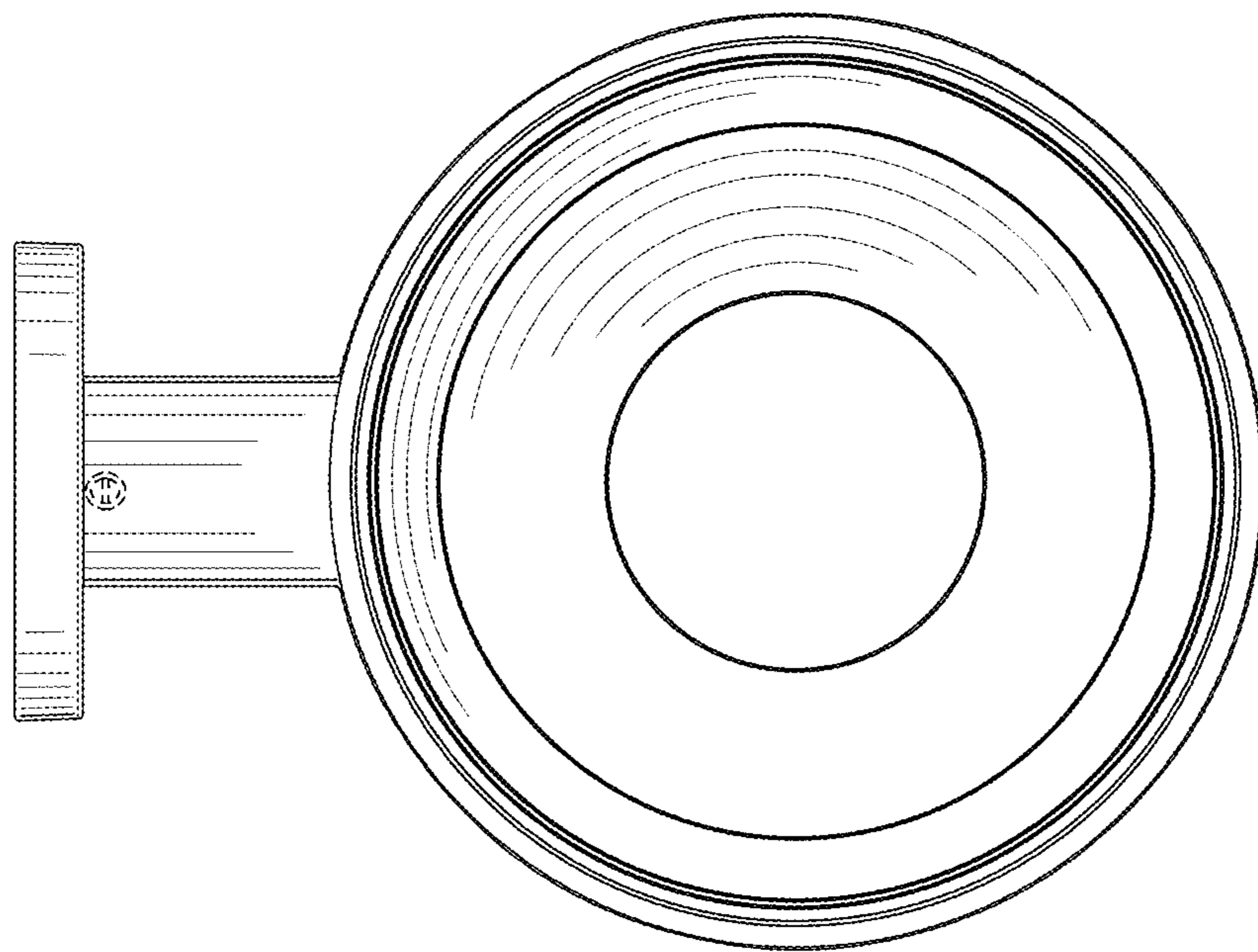


FIG. 3

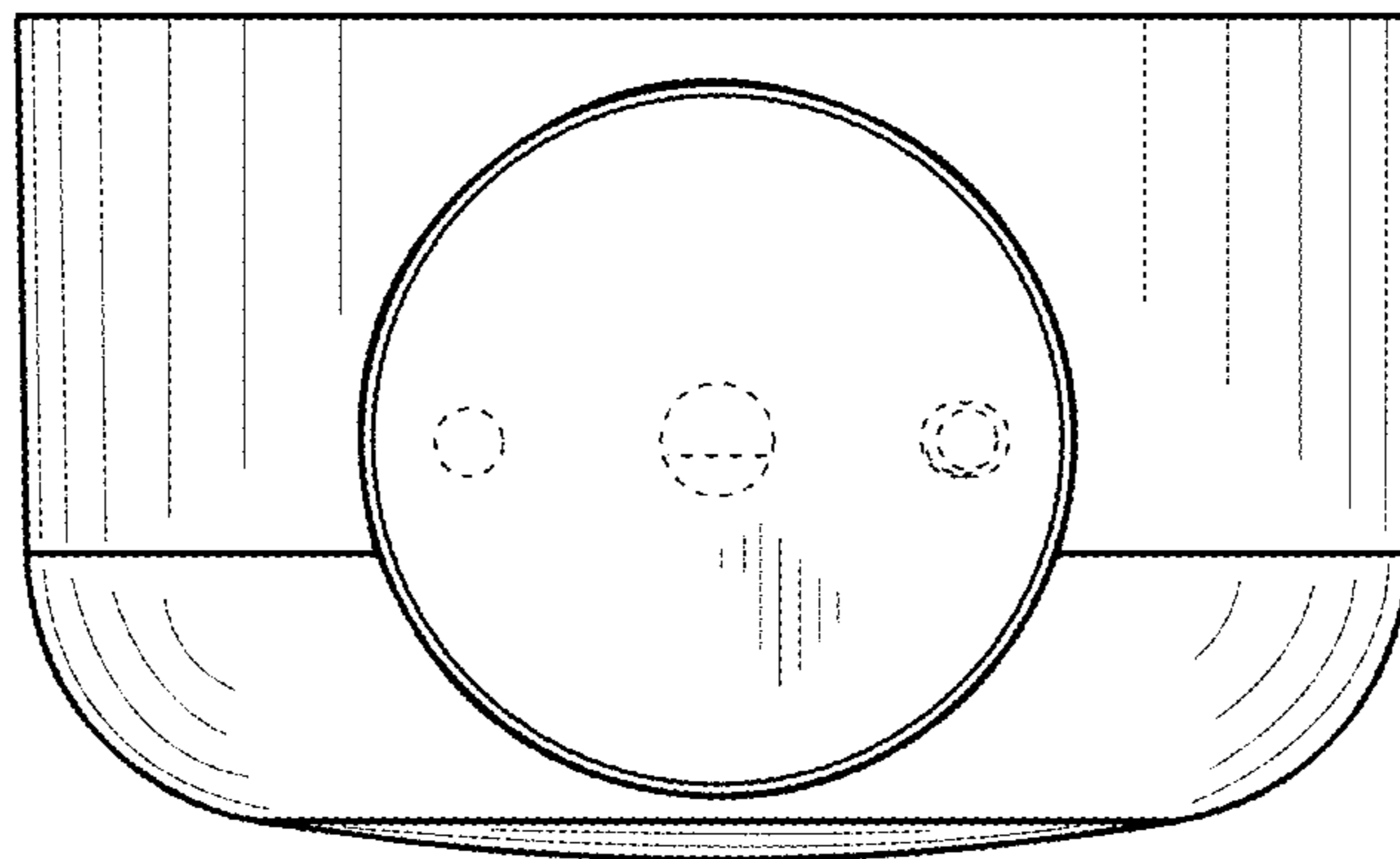


FIG. 4

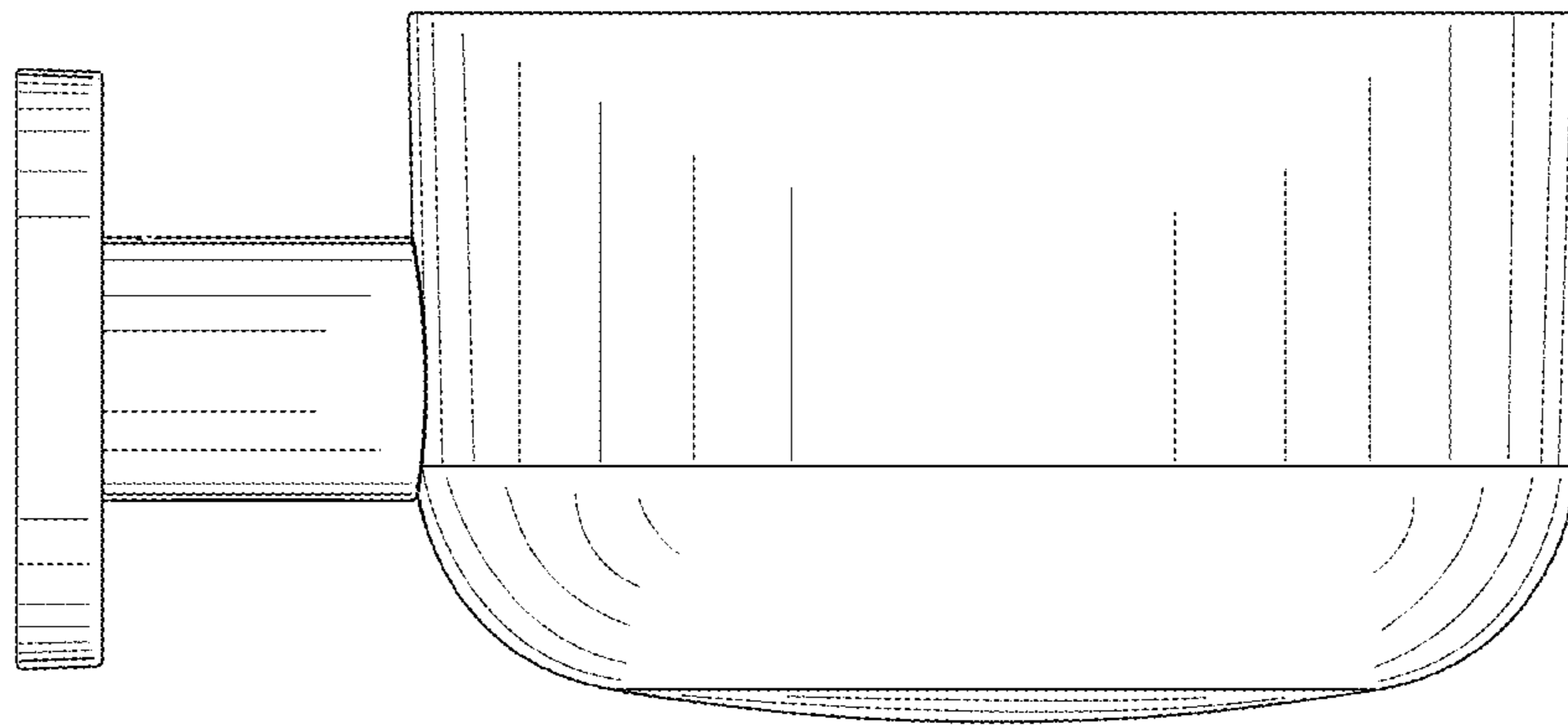


FIG. 5

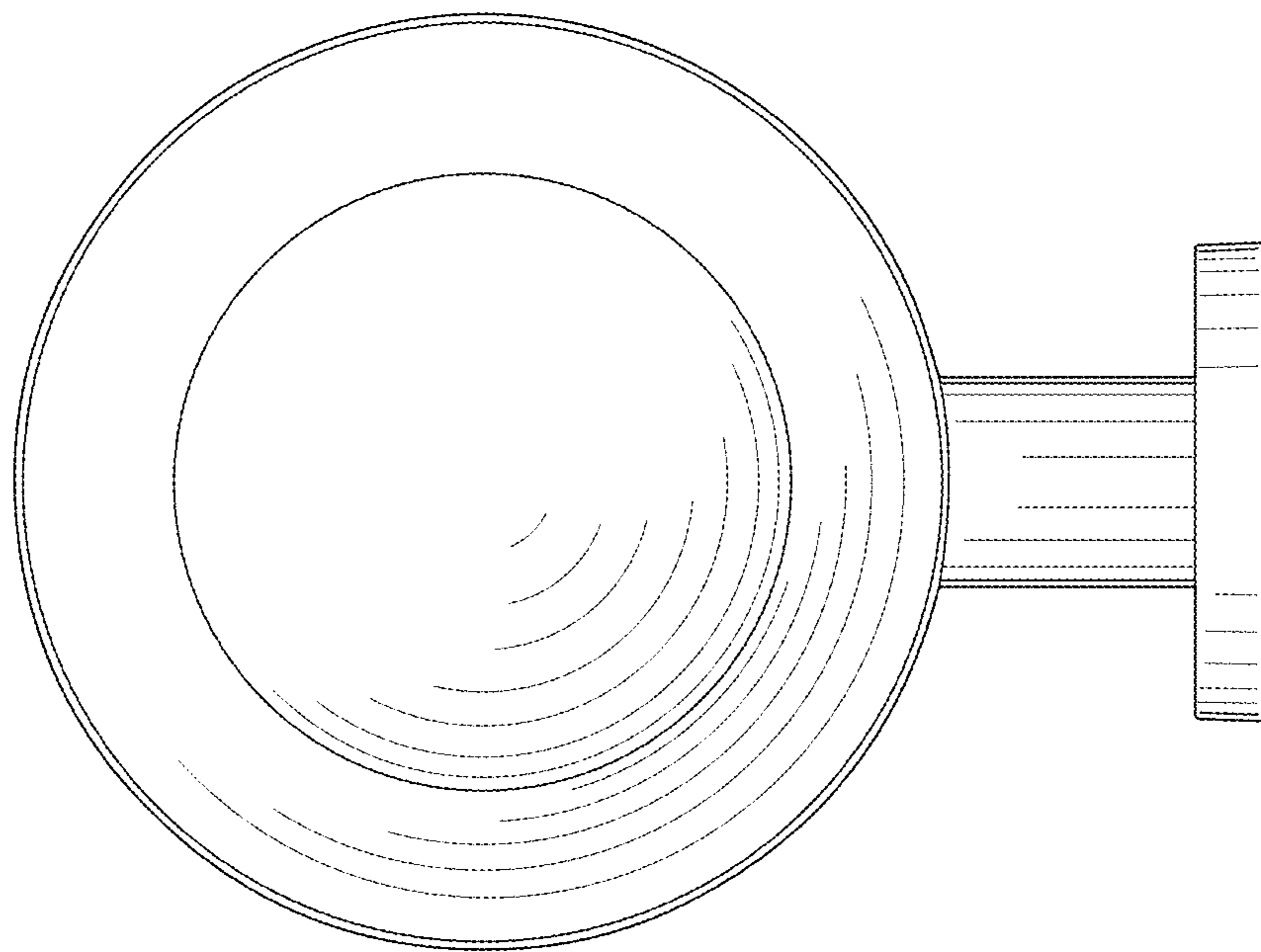


FIG. 6

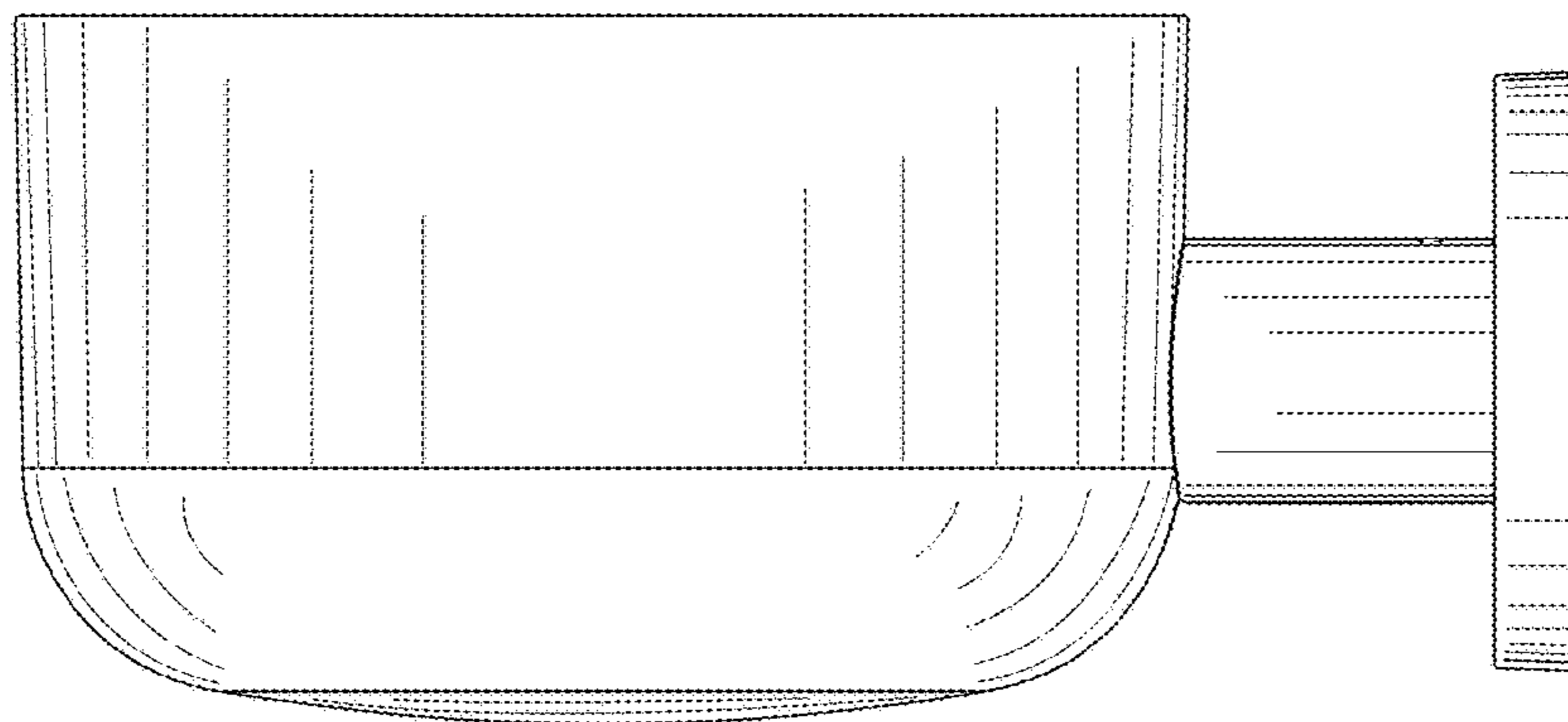


FIG. 7

