



US00D845533S

(12) **United States Design Patent**
Tomlinson

(10) **Patent No.:** **US D845,533 S**
(45) **Date of Patent:** **** Apr. 9, 2019**

(54) **LIGHTING FIXTURE**

DESCRIPTION

- (71) Applicant: **Hinkley Lighting, Inc.**, Avon Lake, OH (US)
- (72) Inventor: **Joel Tomlinson**, Westlake, OH (US)
- (73) Assignee: **HINKLEY LIGHTING, INC.**, Avon Lake, OH (US)
- (**) Term: **15 Years**
- (21) Appl. No.: **29/590,335**
- (22) Filed: **Jan. 9, 2017**
- (51) **LOC (11) Cl.** **26-03**
- (52) **U.S. Cl.**
USPC **D26/87**
- (58) **Field of Classification Search**
USPC D26/85, 86, 87, 92
(Continued)

FIGS. 1-7 illustrate a first embodiment of the lighting fixture, in which:
 FIG. 1 is a top perspective view;
 FIG. 2 is a bottom perspective view;
 FIG. 3 is a left-side view;
 FIG. 4 is a front view;
 FIG. 5 is a right-side view;
 FIG. 6 is a top view; and
 FIG. 7 is a bottom view.

FIGS. 8-14 illustrate a second embodiment of the lighting fixture, in which:
 FIG. 8 is a top perspective view;
 FIG. 9 is a bottom perspective view;
 FIG. 10 is a left-side view;
 FIG. 11 is a front view;
 FIG. 12 is a right-side view;
 FIG. 13 is a top view; and
 FIG. 14 is a bottom view.

FIGS. 15-21 illustrate a third embodiment of the lighting fixture, in which:
 FIG. 15 is a top perspective view;
 FIG. 16 is a bottom perspective view;
 FIG. 17 is a left-side view;
 FIG. 18 is a front view;
 FIG. 19 is a right-side view;
 FIG. 20 is a top view; and
 FIG. 21 is a bottom view.

FIGS. 22-28 illustrate a fourth embodiment of the lighting fixture, in which:
 FIG. 22 is a top perspective view;
 FIG. 23 is a bottom perspective view;
 FIG. 24 is a left-side view;
 FIG. 25 is a front view;
 FIG. 26 is a right-side view;
 FIG. 27 is a top view; and,
 FIG. 28 is a bottom view.

Broken lines appearing in the figures illustrate features of the lighting fixture that form no part of the claimed design.

(56) **References Cited**

U.S. PATENT DOCUMENTS

- D85,628 S * 11/1931 Wing D26/87
 - D298,059 S * 10/1988 Muller D26/86
- (Continued)

OTHER PUBLICATIONS

Hinkley Lighting Jackson 3-light Vanity Light, at wayfair.com as early as Aug. 23, 2016. (Year: 2016).*

(Continued)

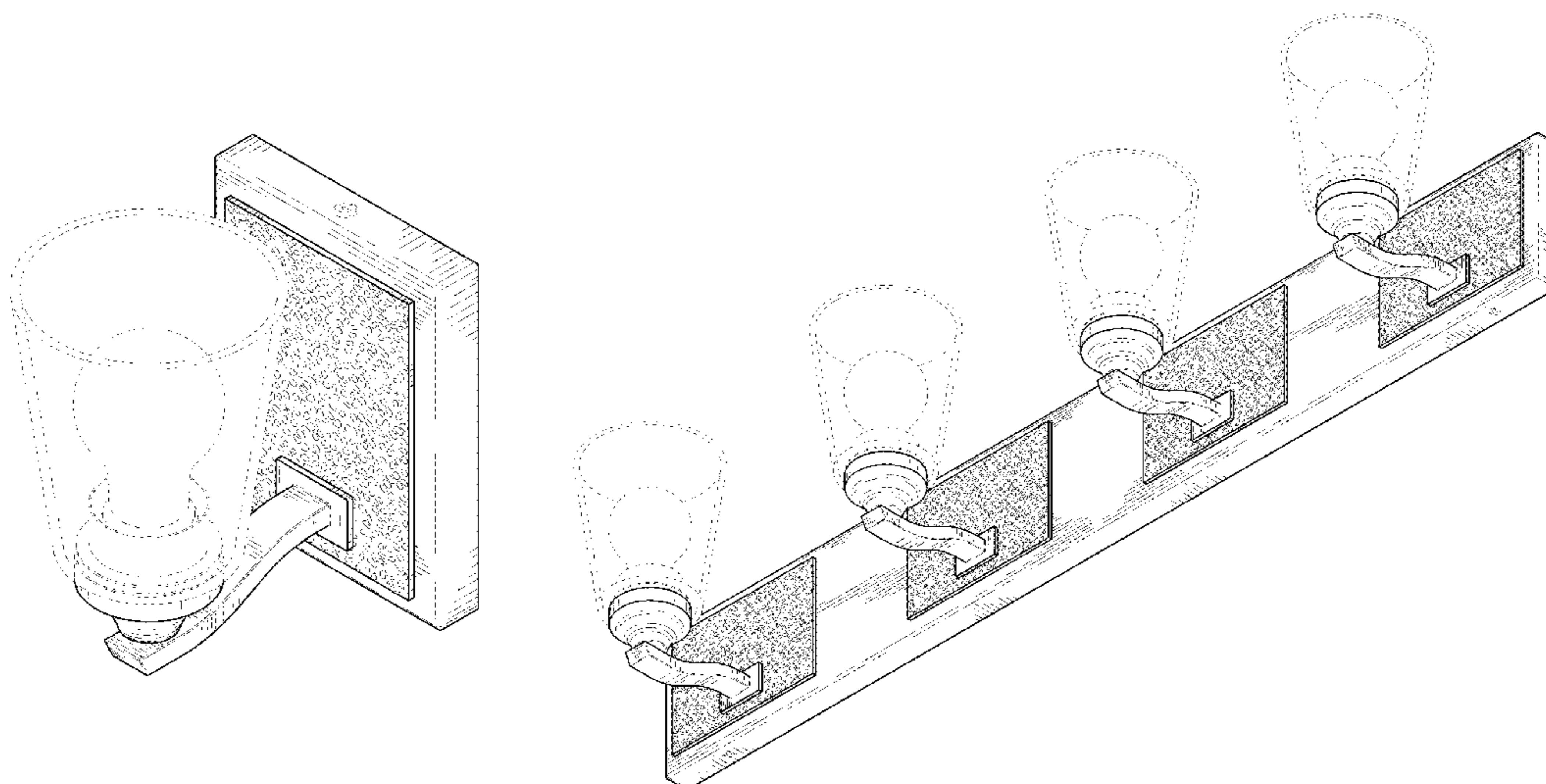
Primary Examiner — Clare E Heflin

(74) *Attorney, Agent, or Firm* — Pearne & Gordon LLP

(57) **CLAIM**

The ornamental design for a lighting fixture, as shown and described.

1 Claim, 15 Drawing Sheets



(58) **Field of Classification Search**

CPC F21S 8/03; F21S 8/033; F21S 8/035; F21S
8/036; F21S 8/037; F21S 8/04; F21S
13/02; F21V 21/02; F21W 2121/004;
F21W 2131/109

See application file for complete search history.

(56) **References Cited**

U.S. PATENT DOCUMENTS

D444,260	S	*	6/2001	Dolan	D26/92
D453,048	S	*	1/2002	Orozco	D26/87
D536,471	S	*	2/2007	Matons	D26/87
D605,331	S	*	12/2009	Miranda	D26/87
D697,659	S	*	1/2014	Sabernig	D26/87
D746,504	S	*	12/2015	Sabernig	D26/85
D816,882	S	*	5/2018	Qiao	D26/86

OTHER PUBLICATIONS

Factory Vintage Iron Wall Sconce from Shades of Light SKU:
SC14151. shadesoflight.com visited Nov. 15, 2018. (Year: 2018).*

* cited by examiner

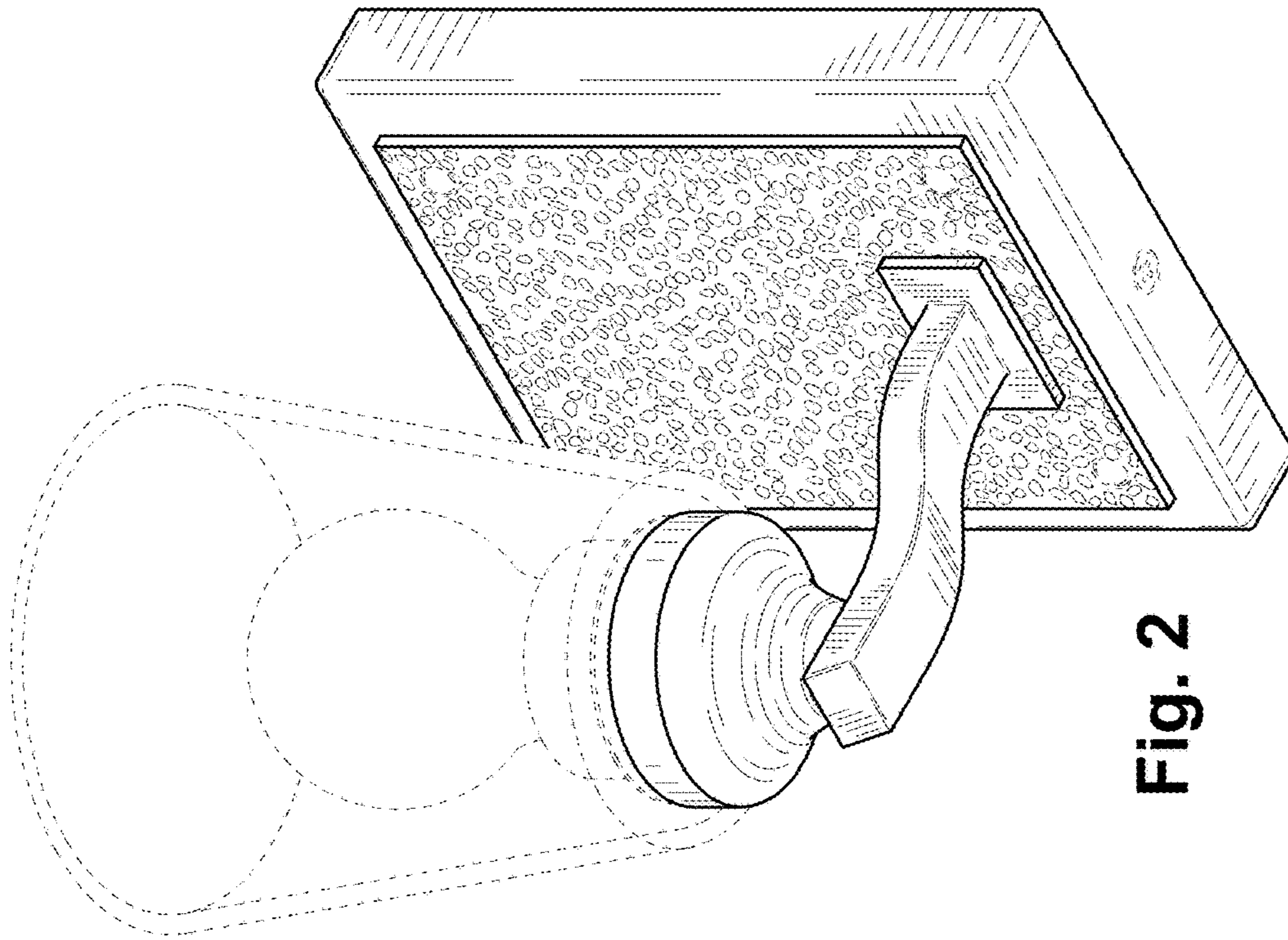


Fig. 2

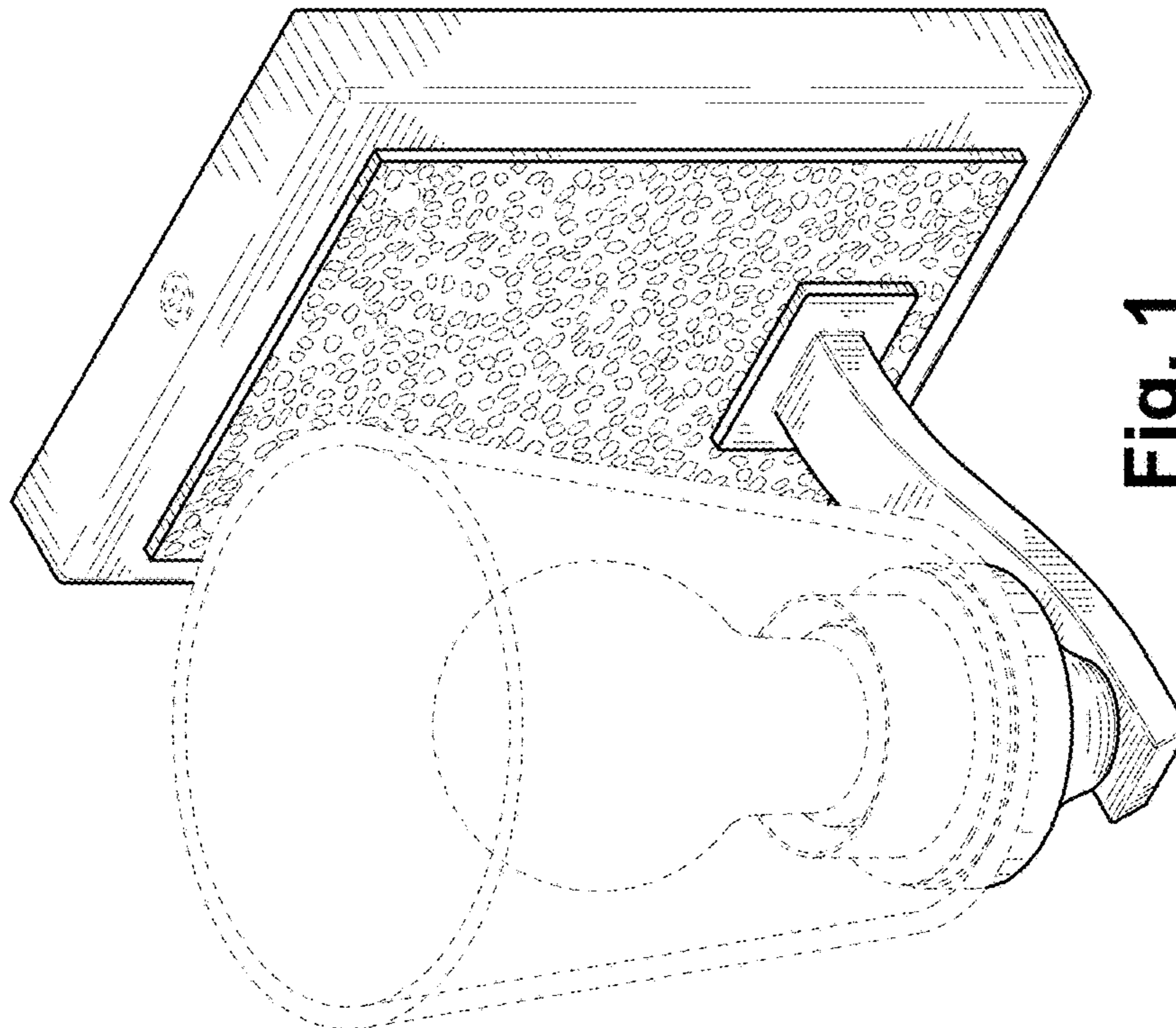


Fig. 1

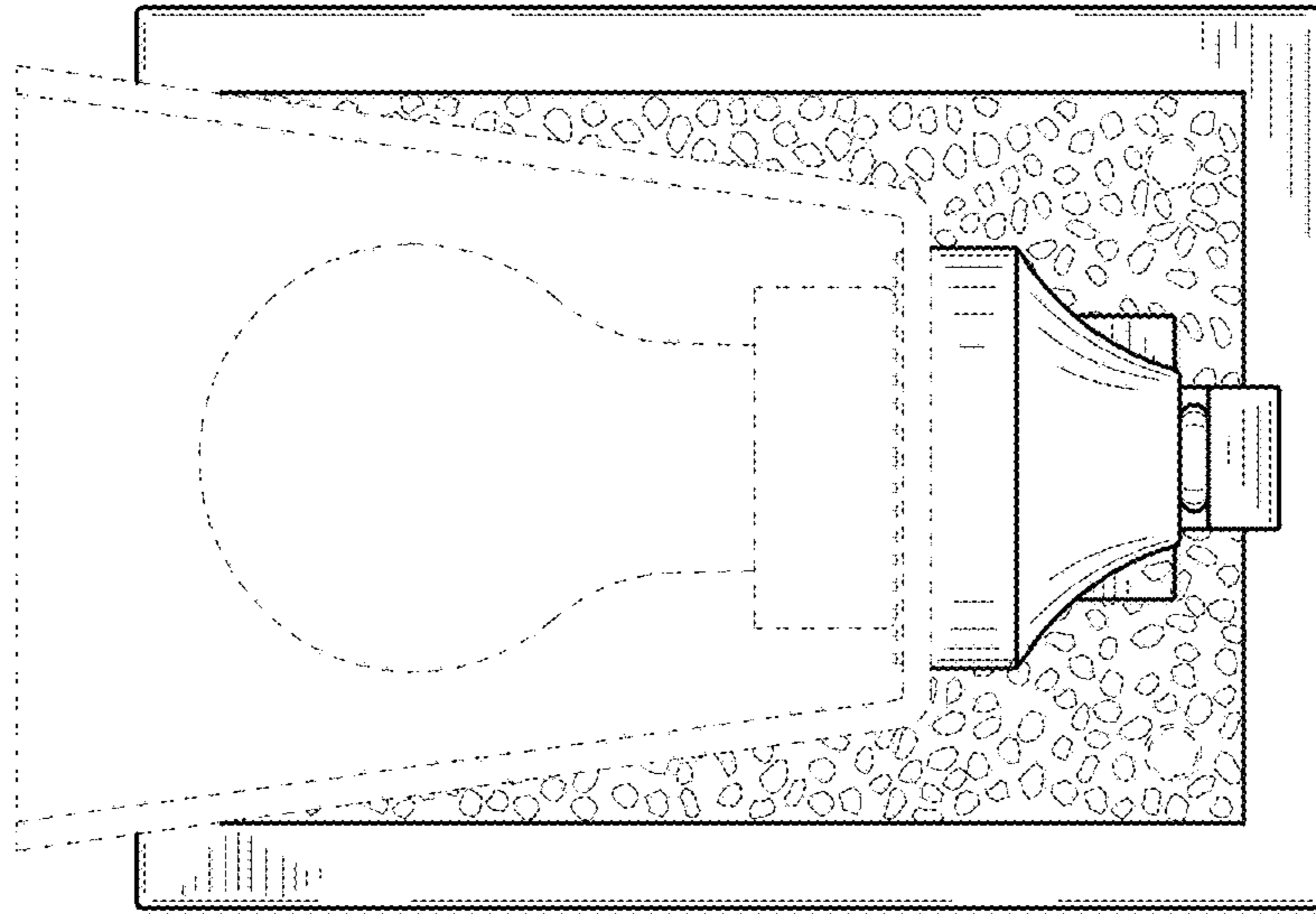


Fig. 4

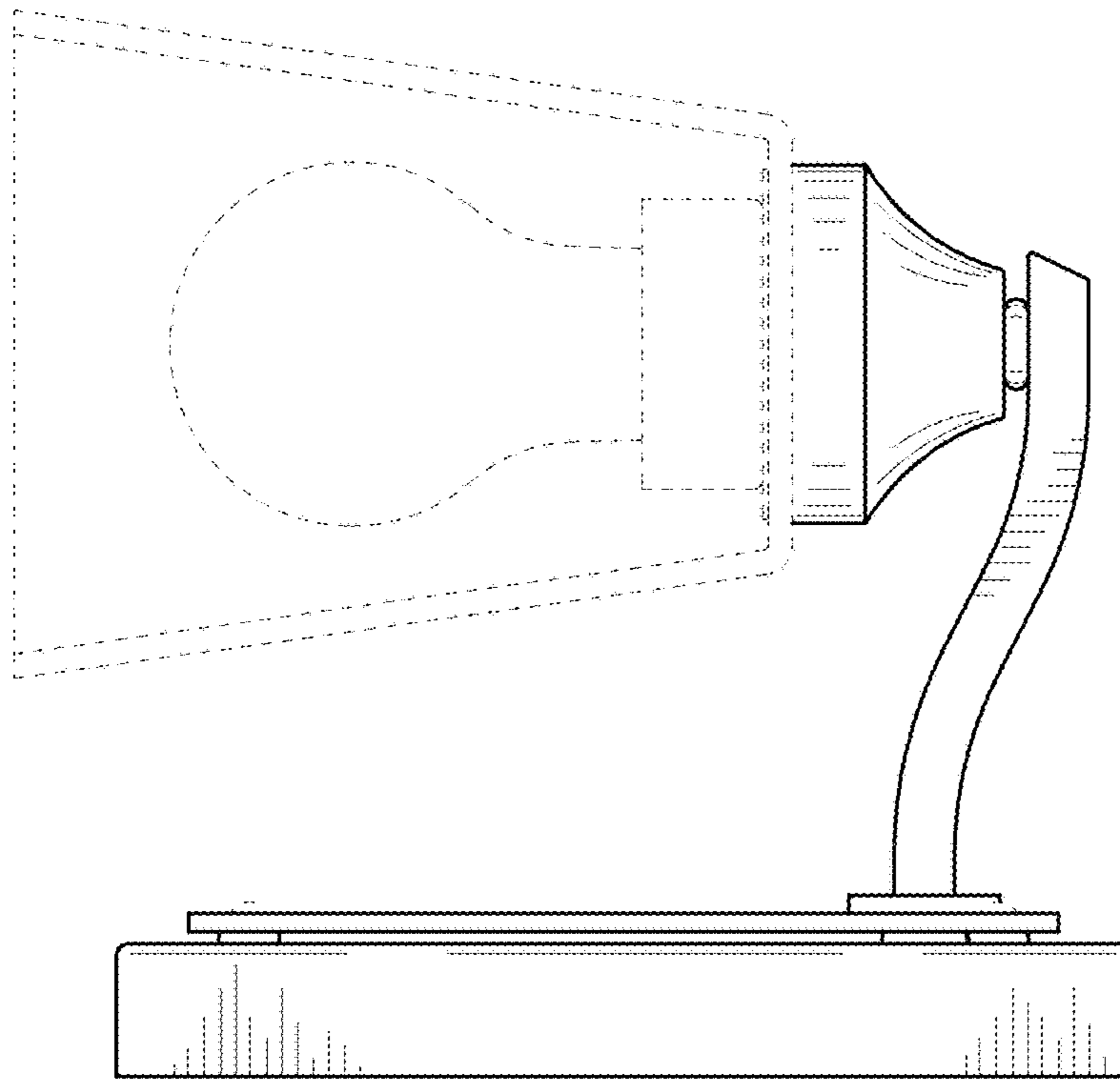


Fig. 3

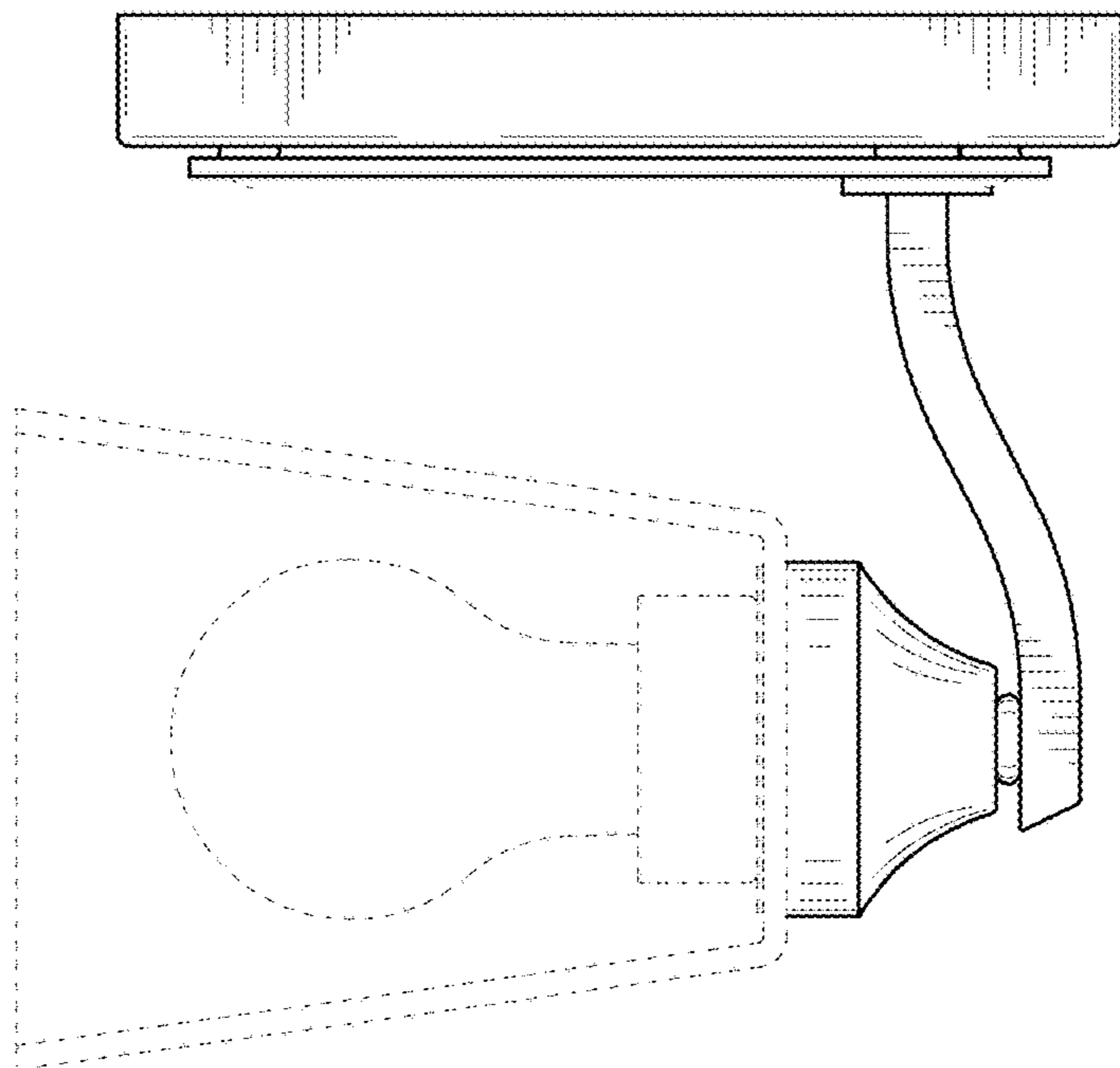


Fig. 5

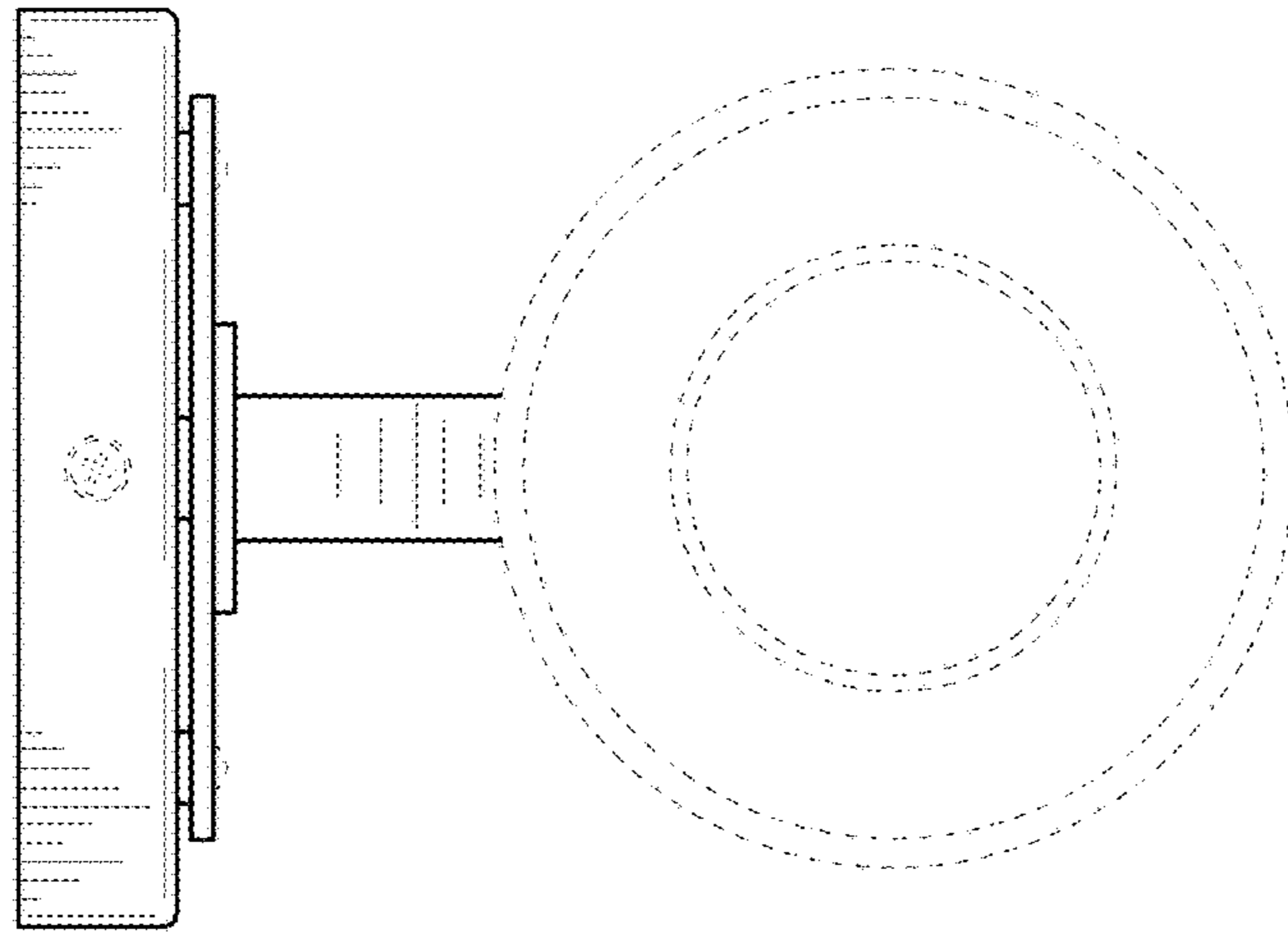


Fig. 6

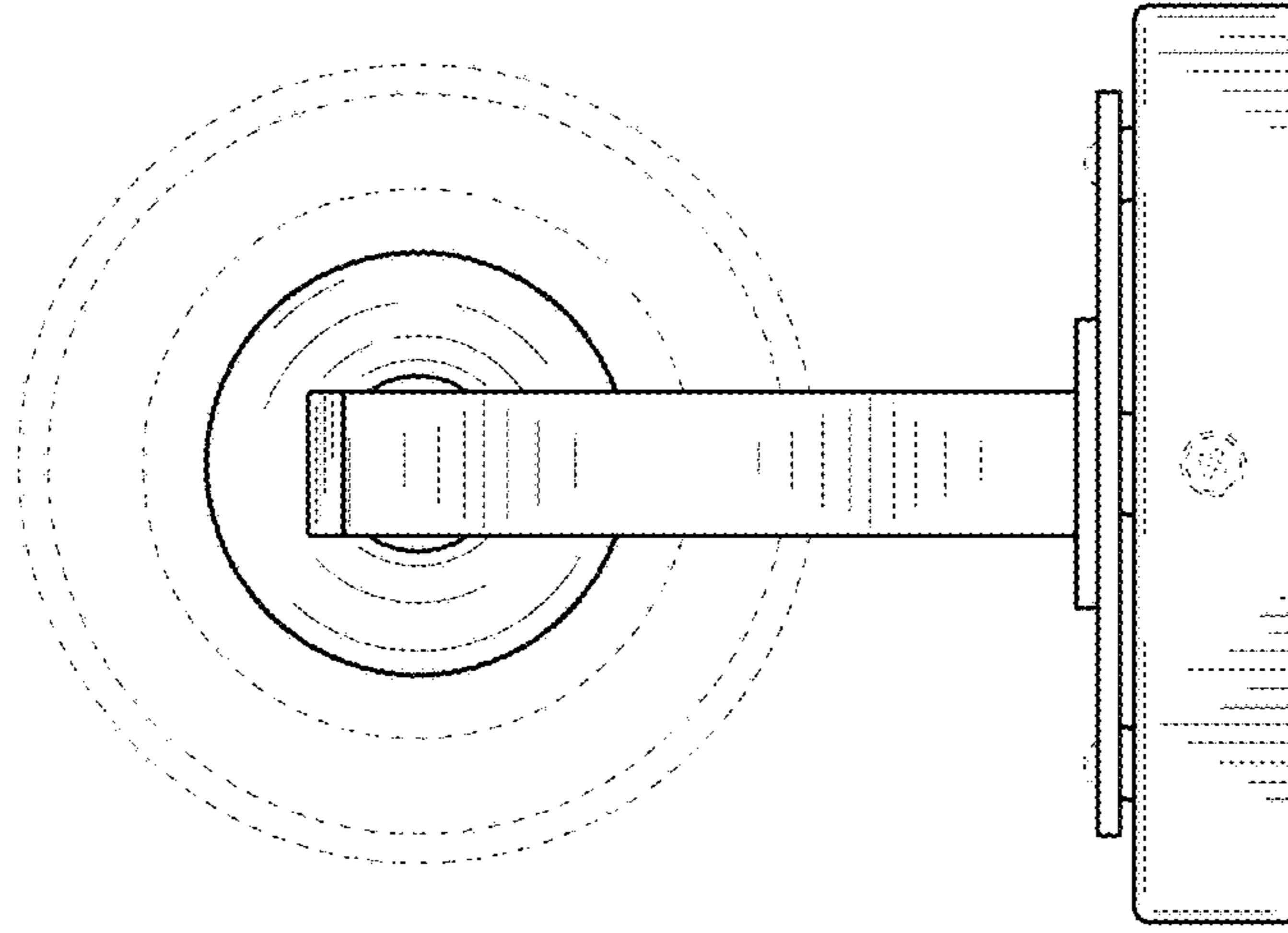


Fig. 7

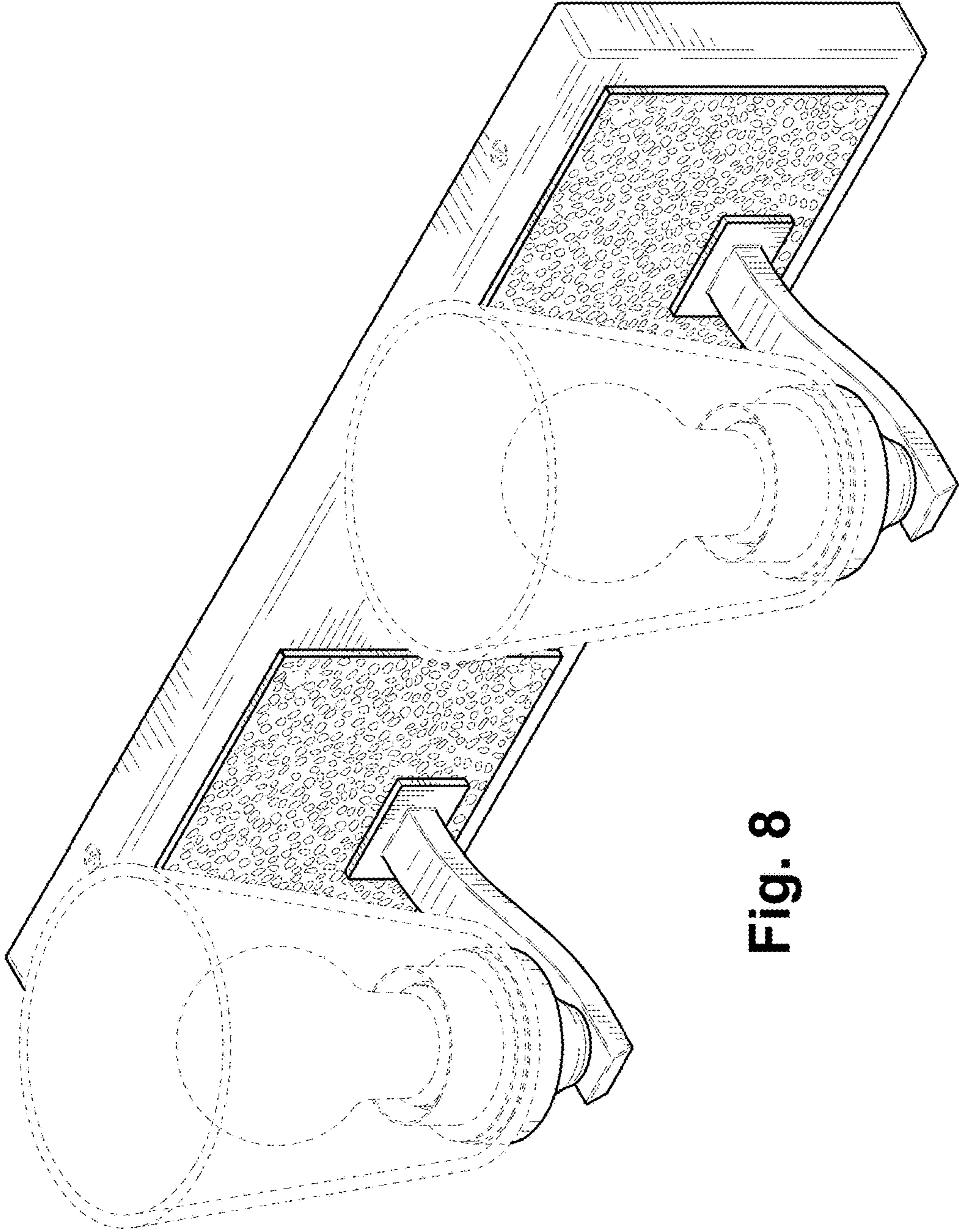


Fig. 8

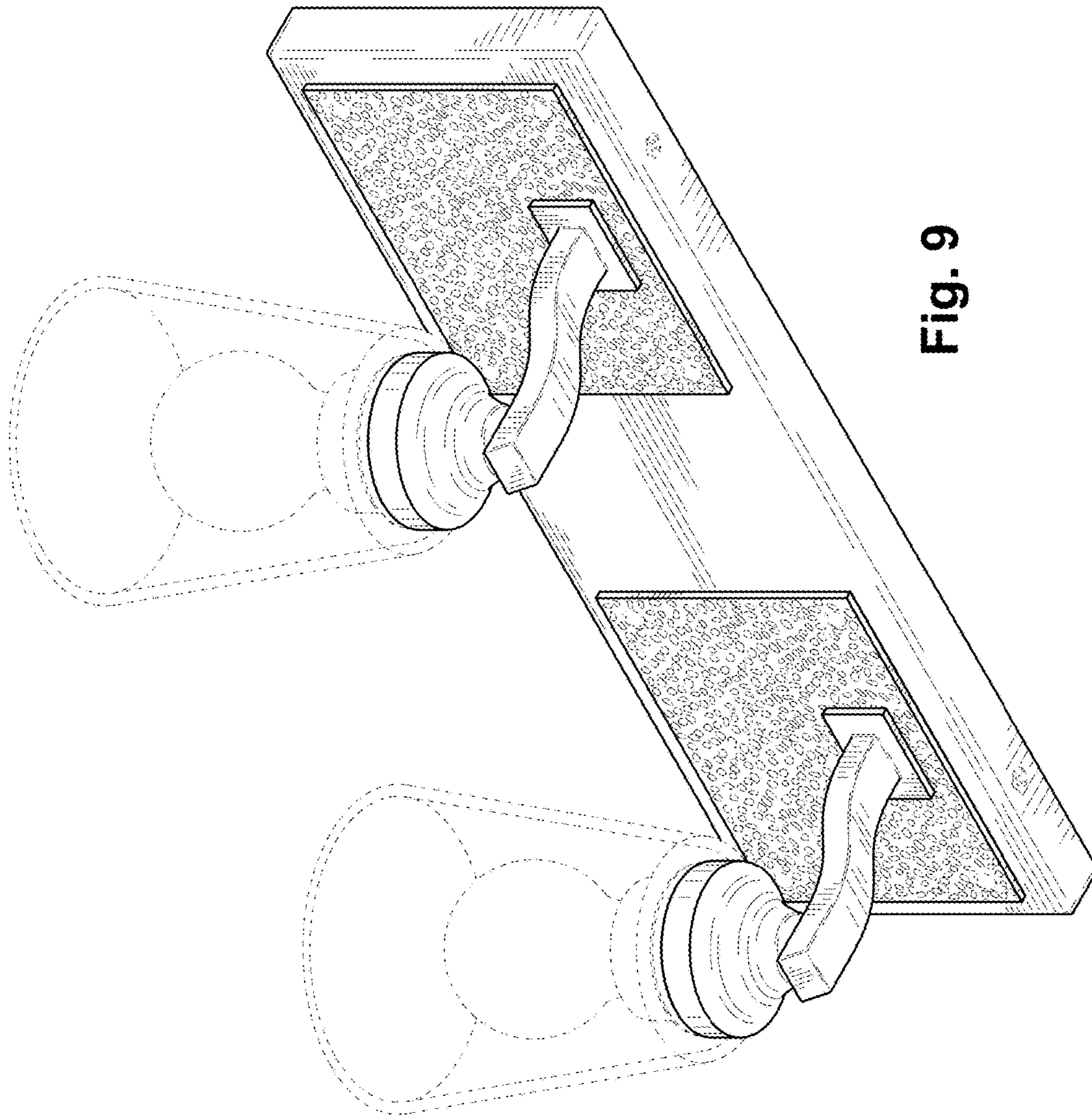


Fig. 9

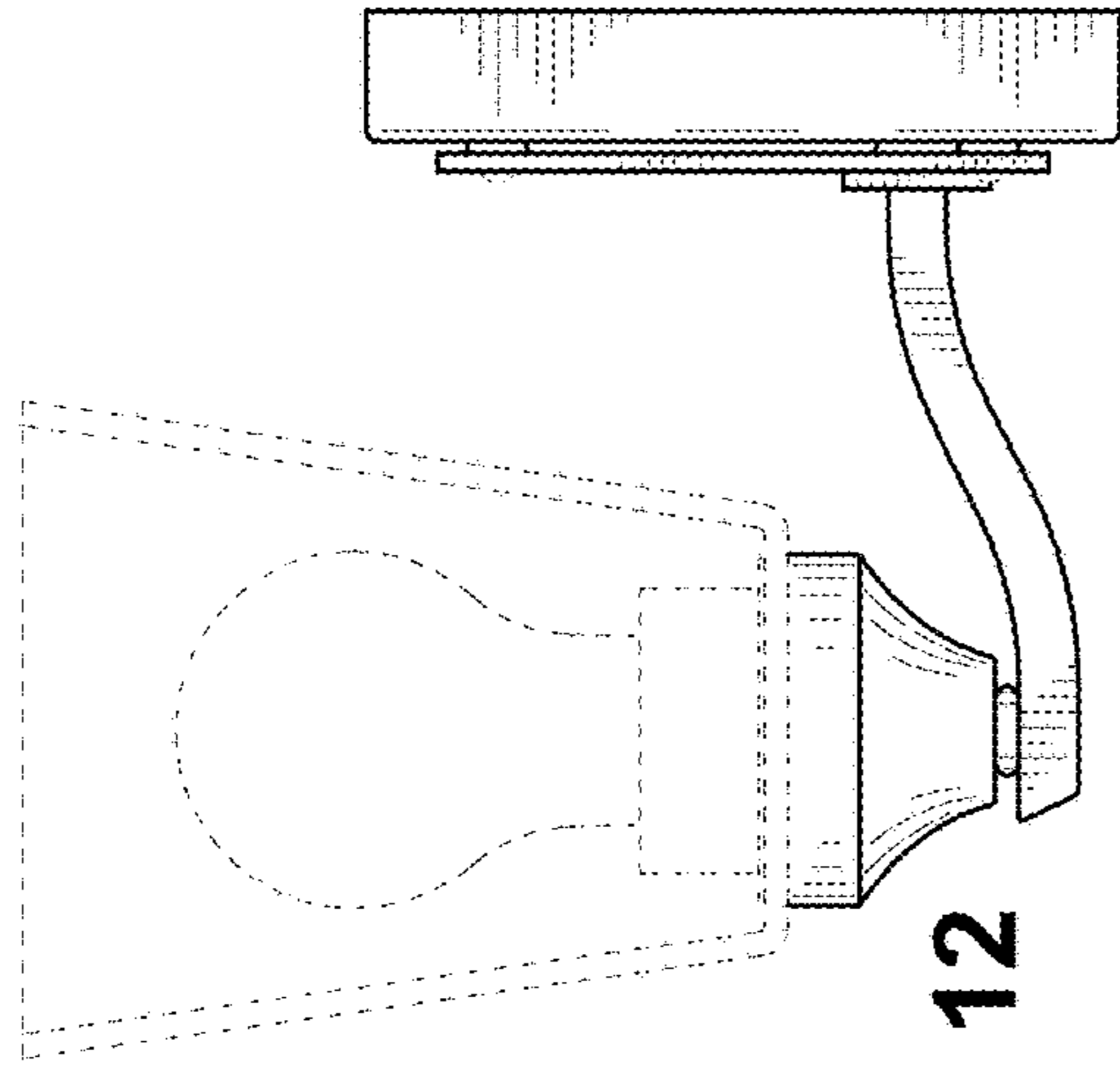


Fig. 10

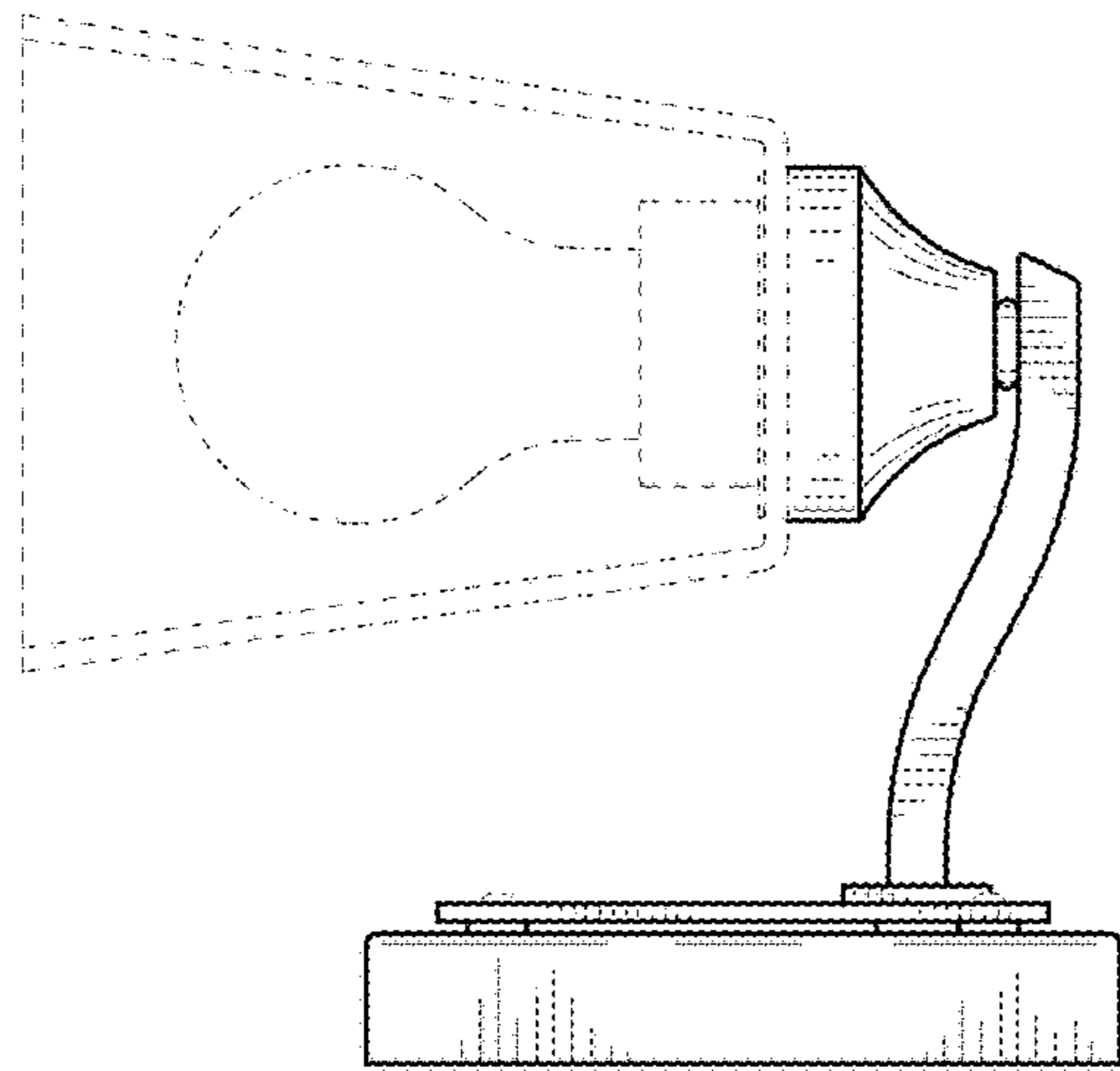


Fig. 11

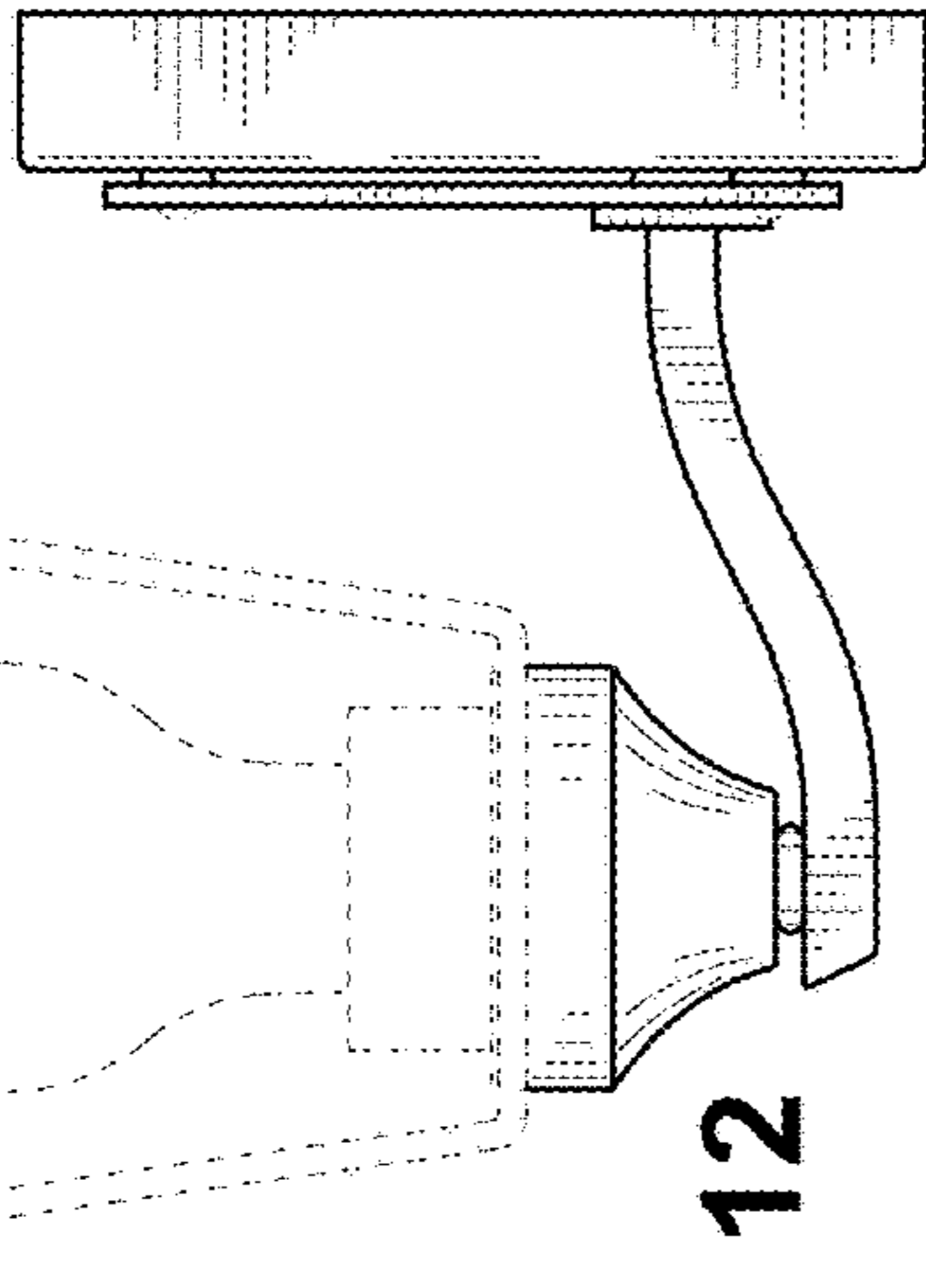


Fig. 12

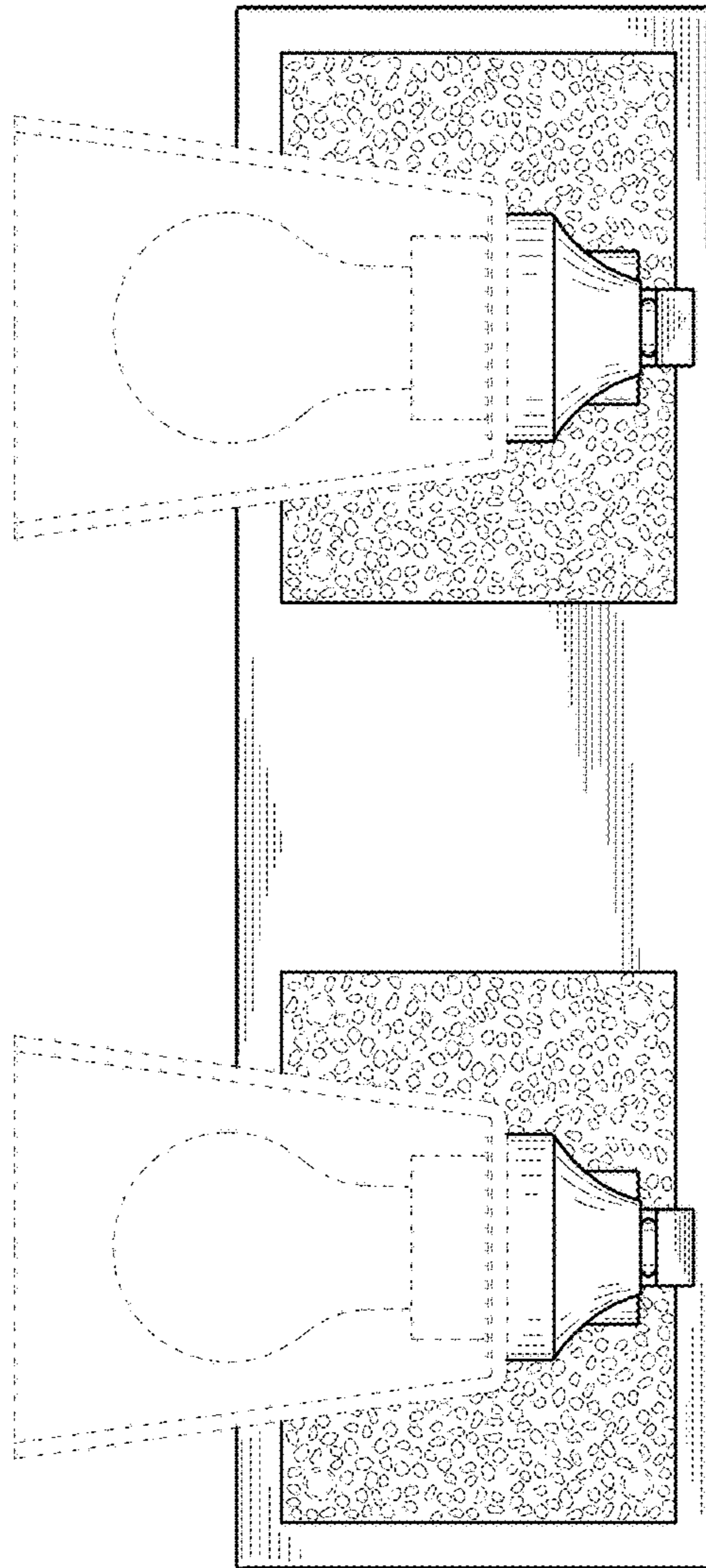
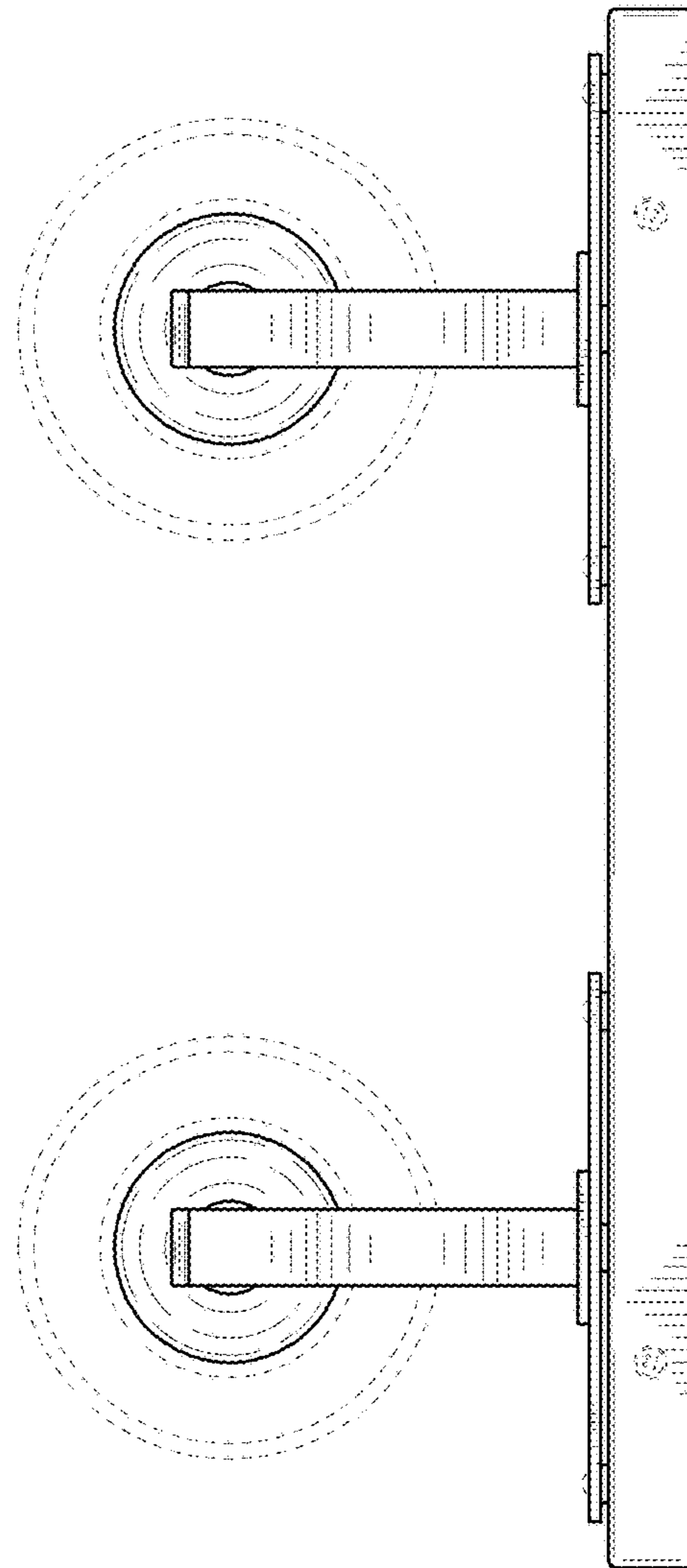
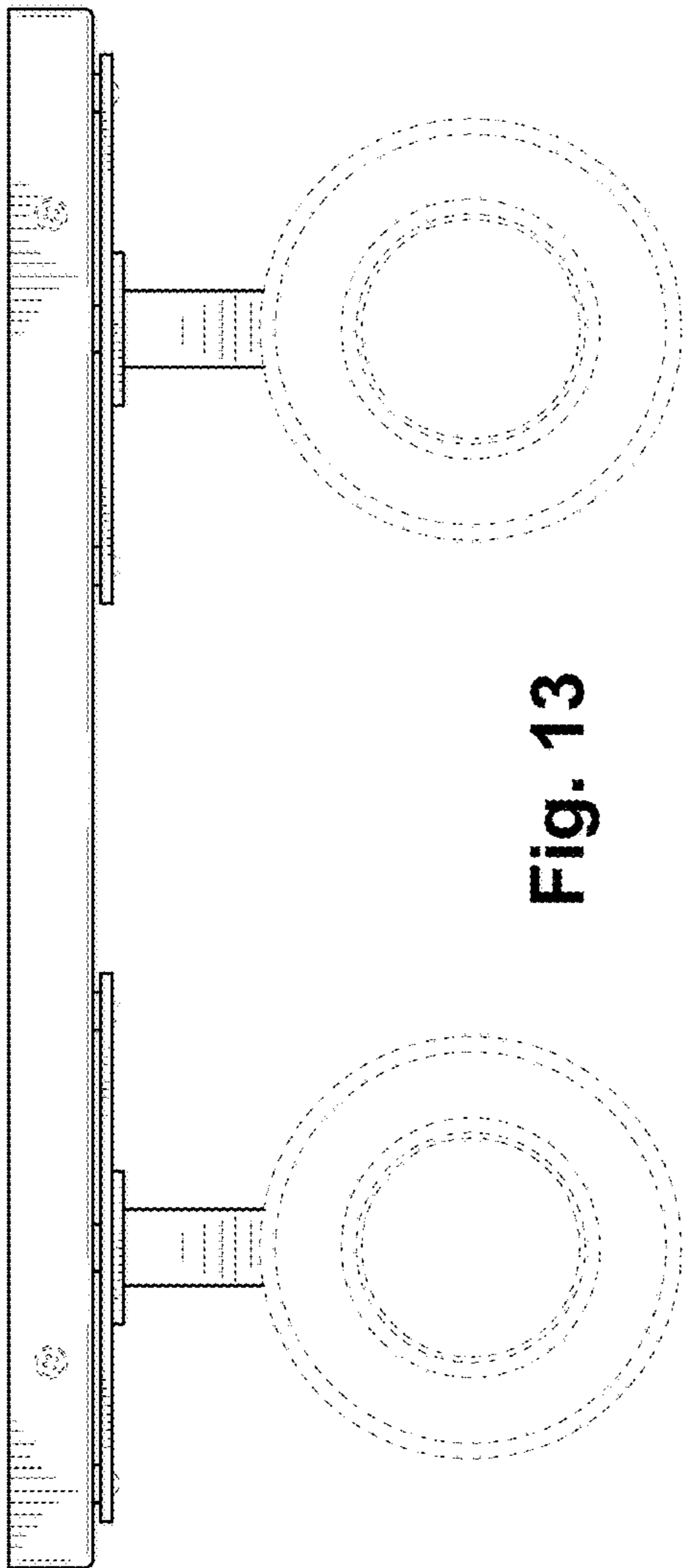


Fig. 13



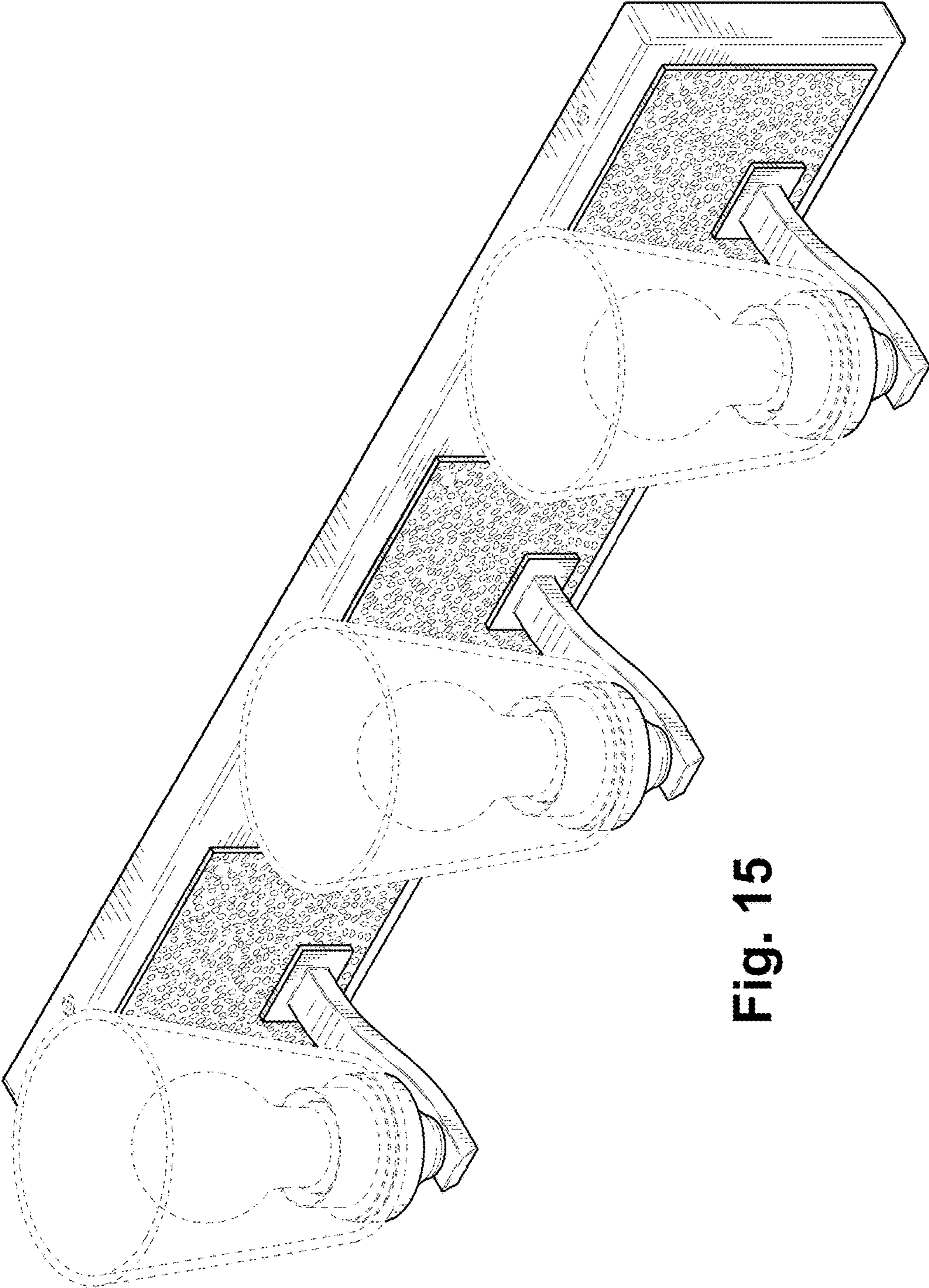


Fig. 15

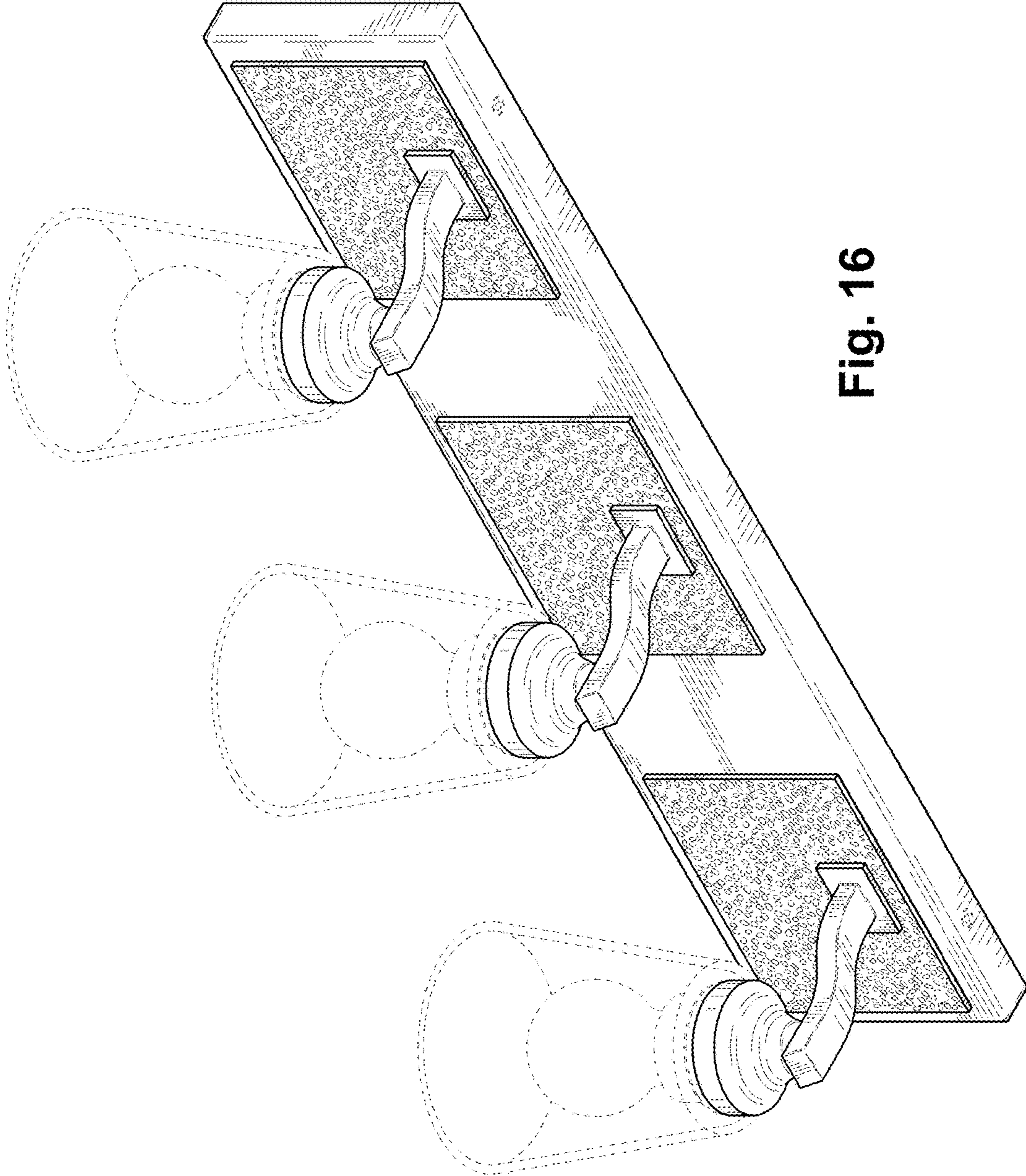


Fig. 16

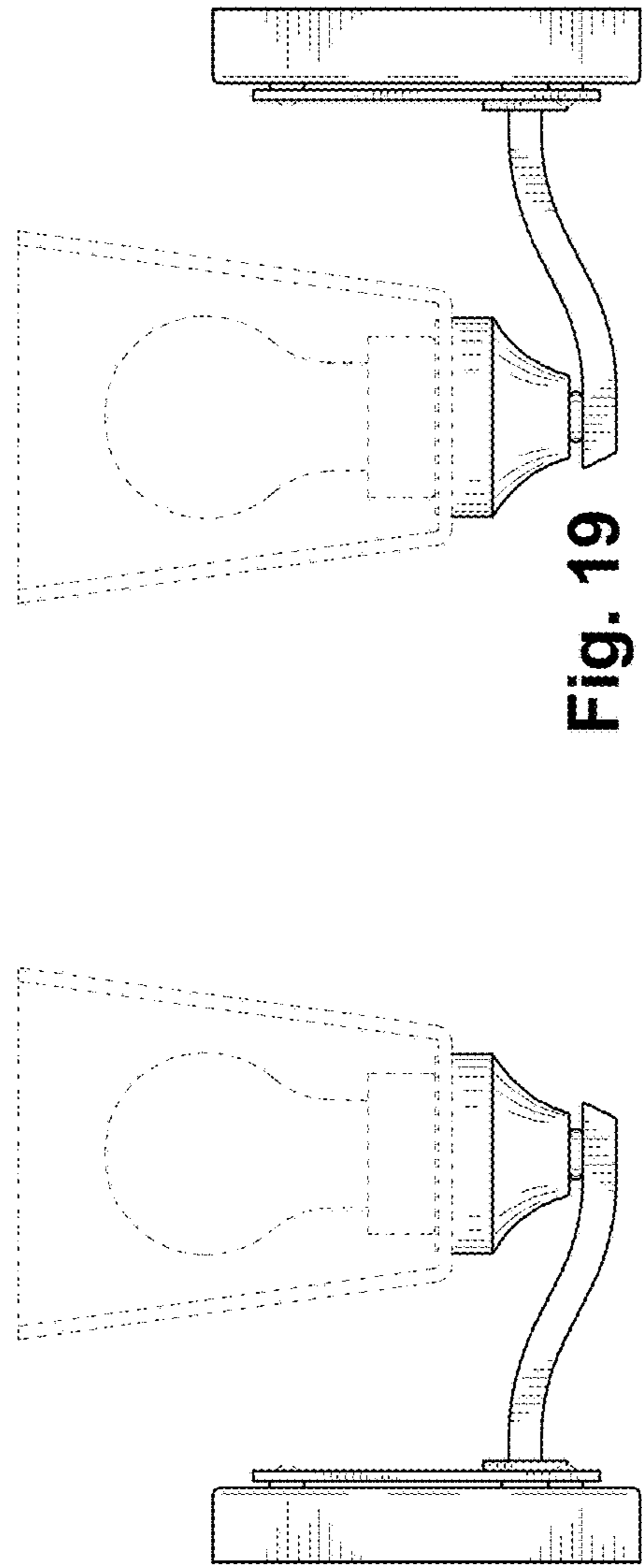


Fig. 17

Fig. 19

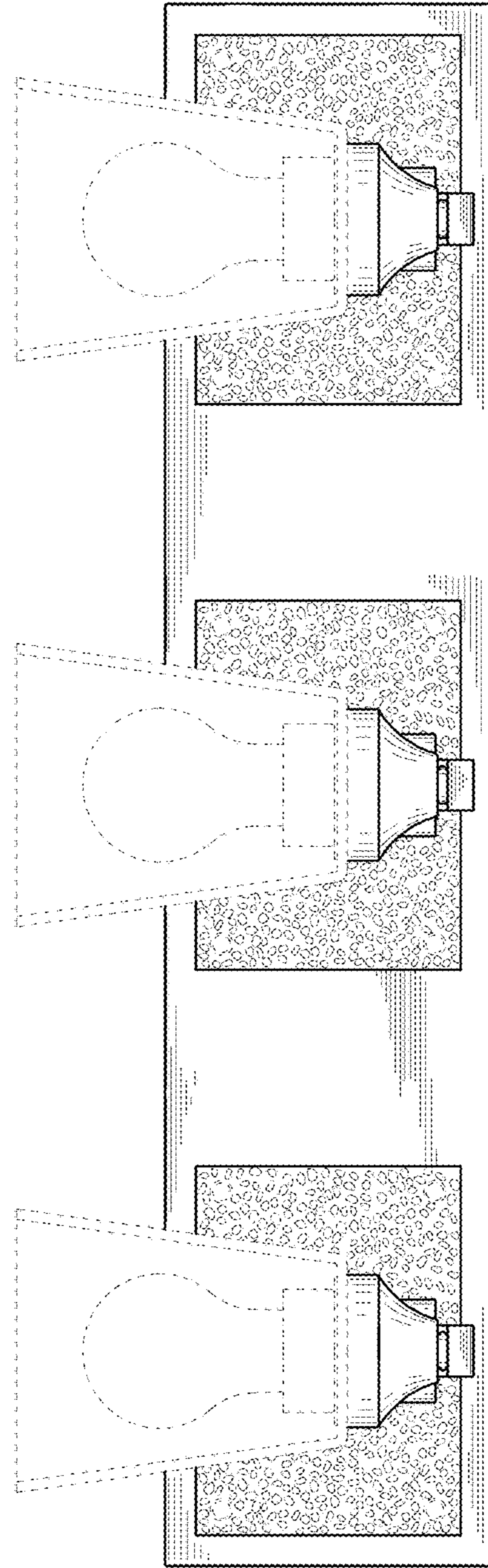


Fig. 18

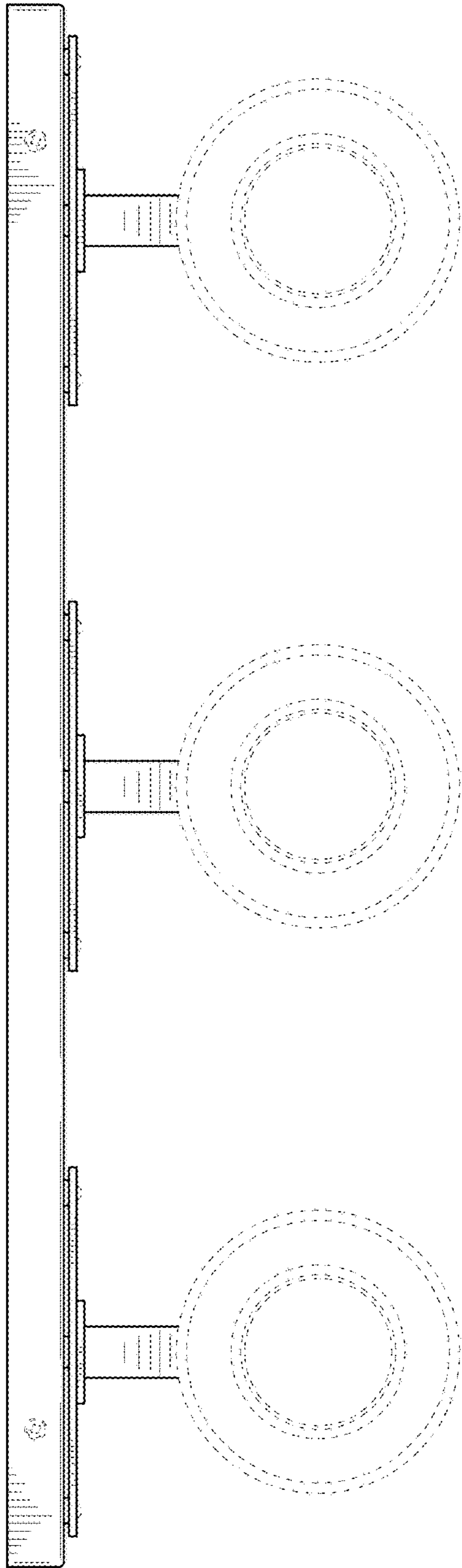


Fig. 20

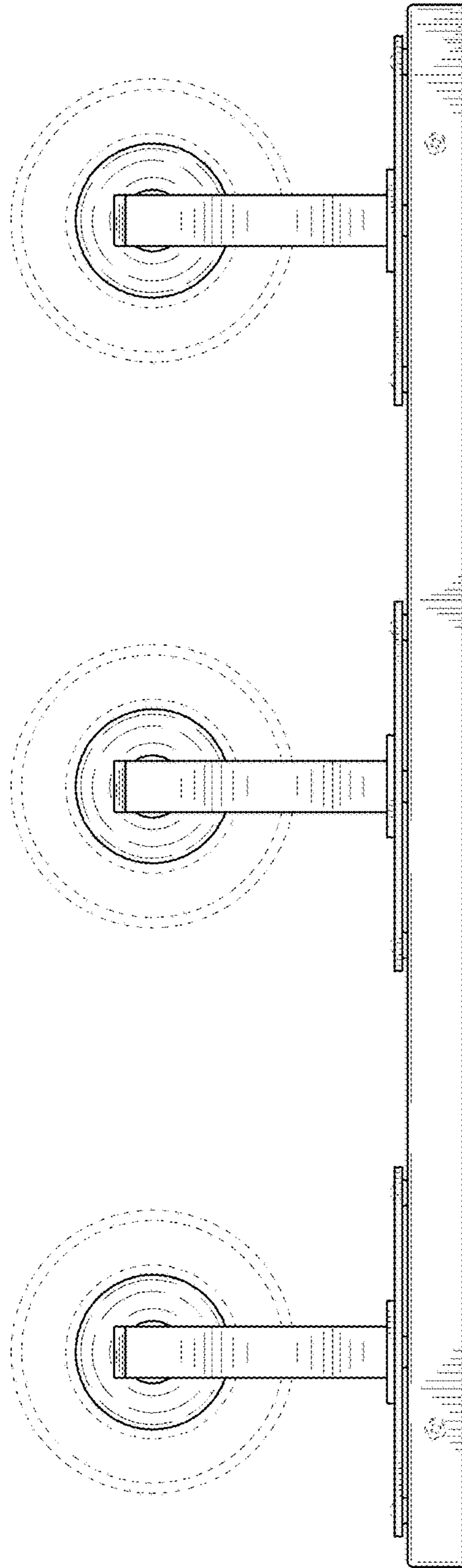


Fig. 21

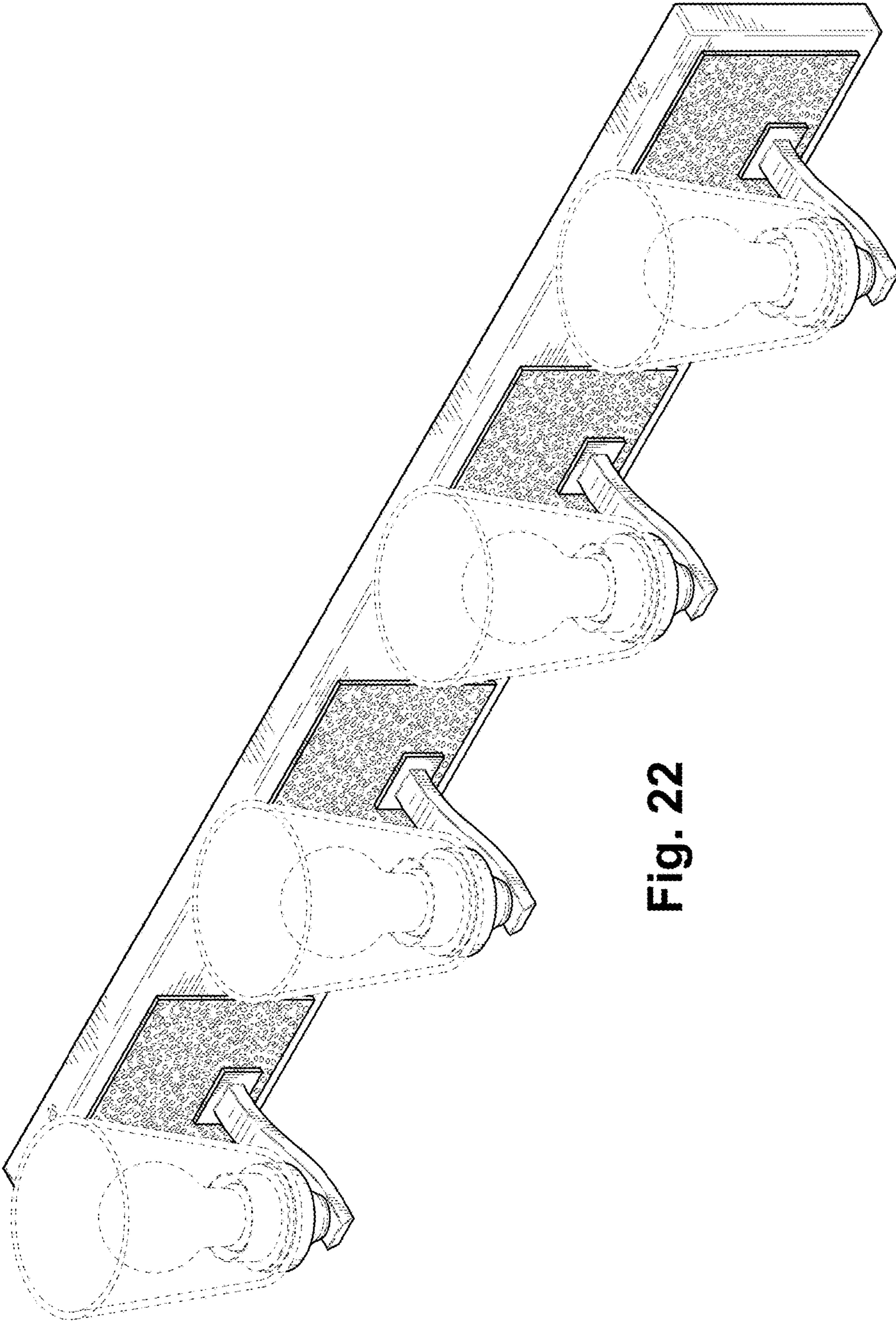


Fig. 22

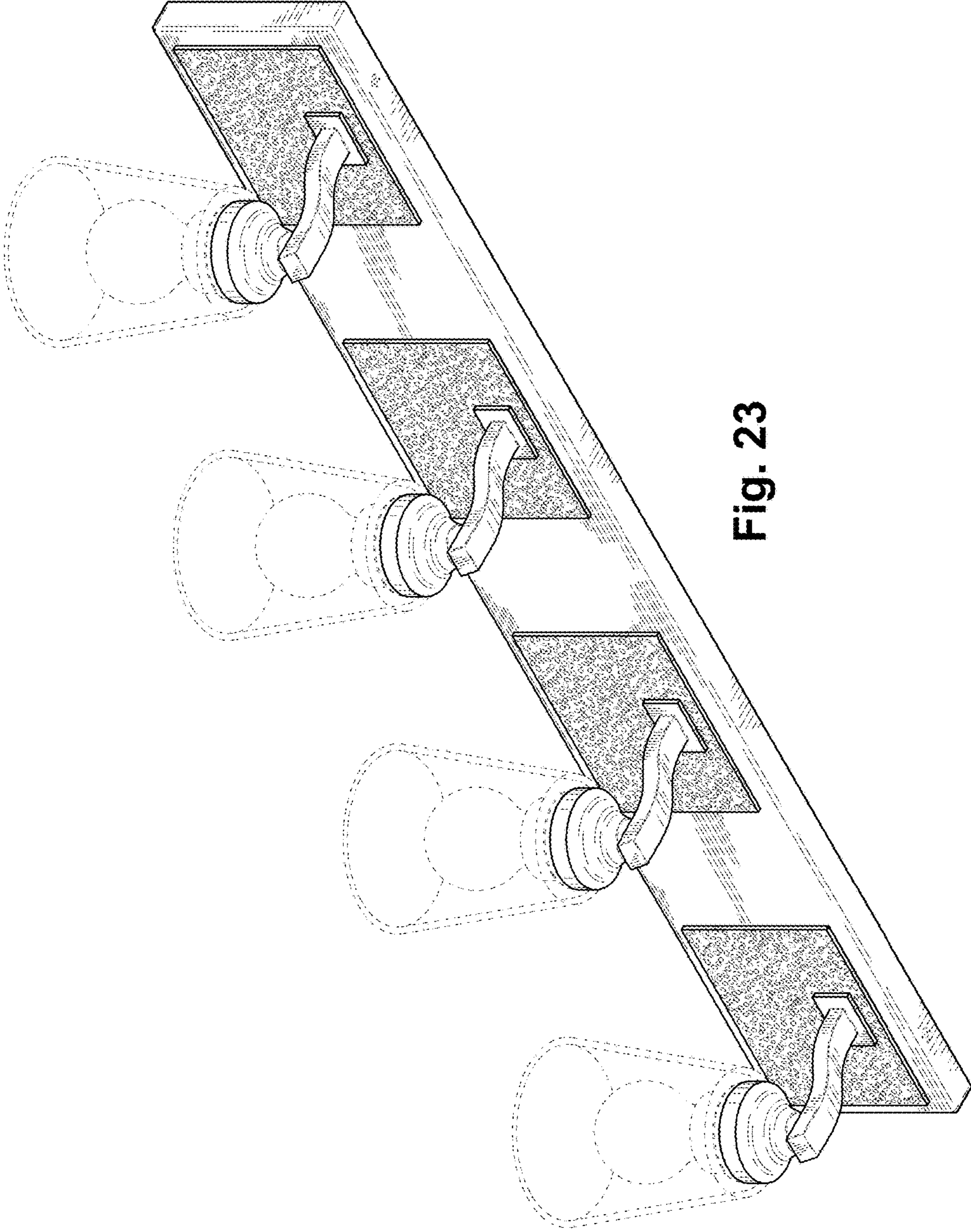


Fig. 23

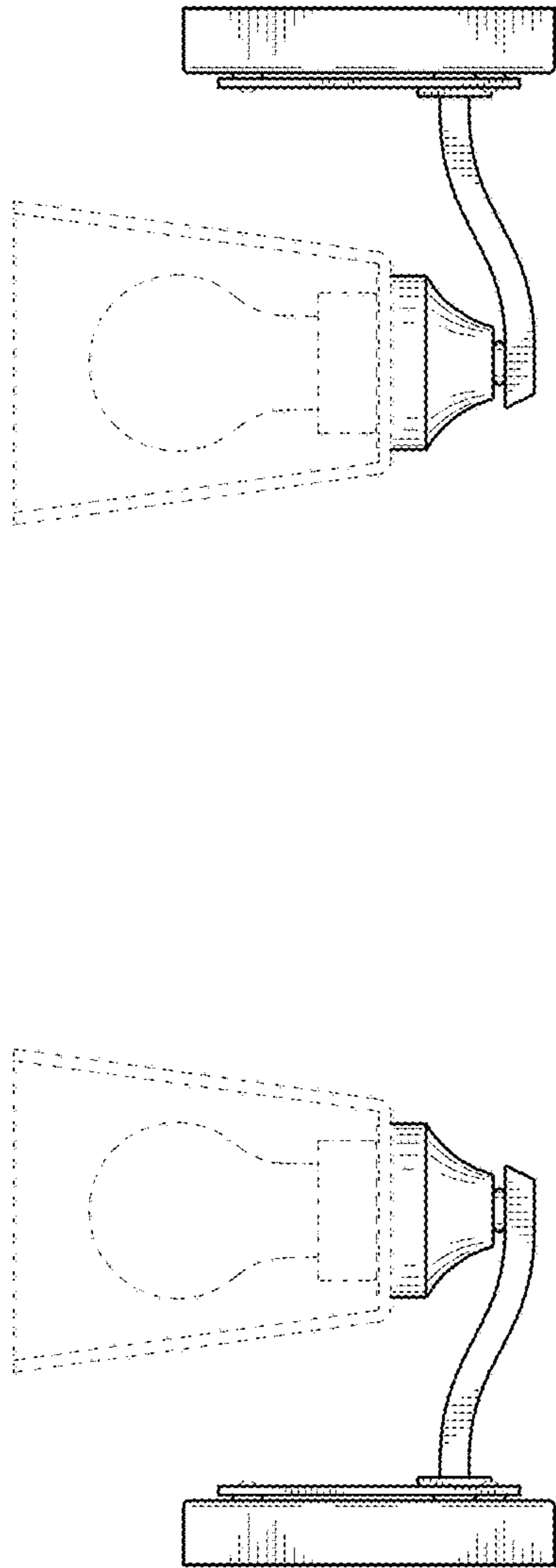


Fig. 26

Fig. 24

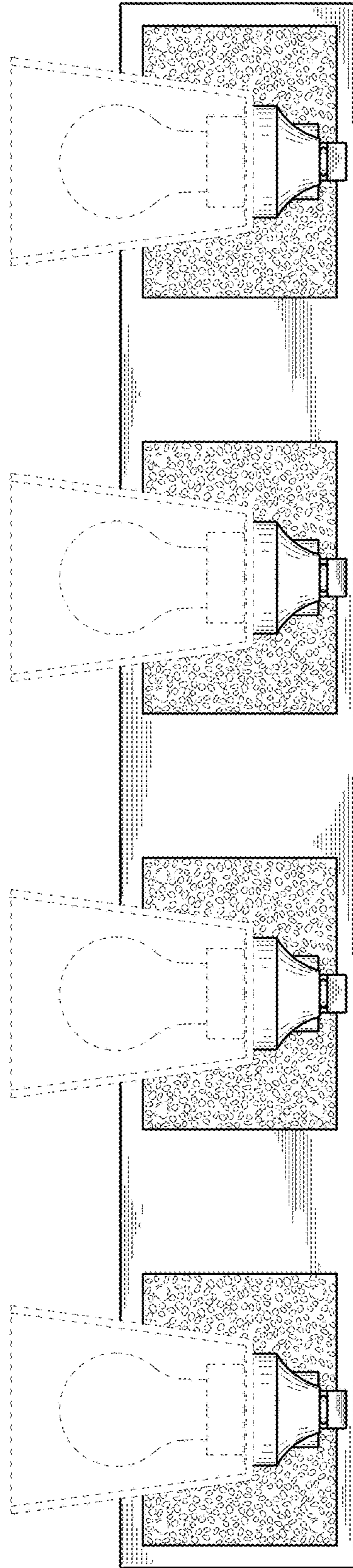


Fig. 25

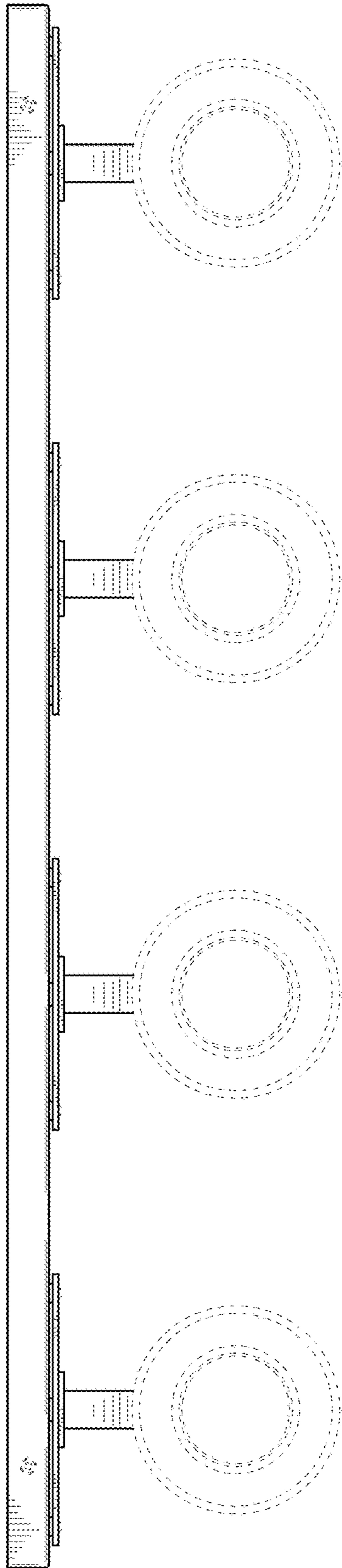


Fig. 27

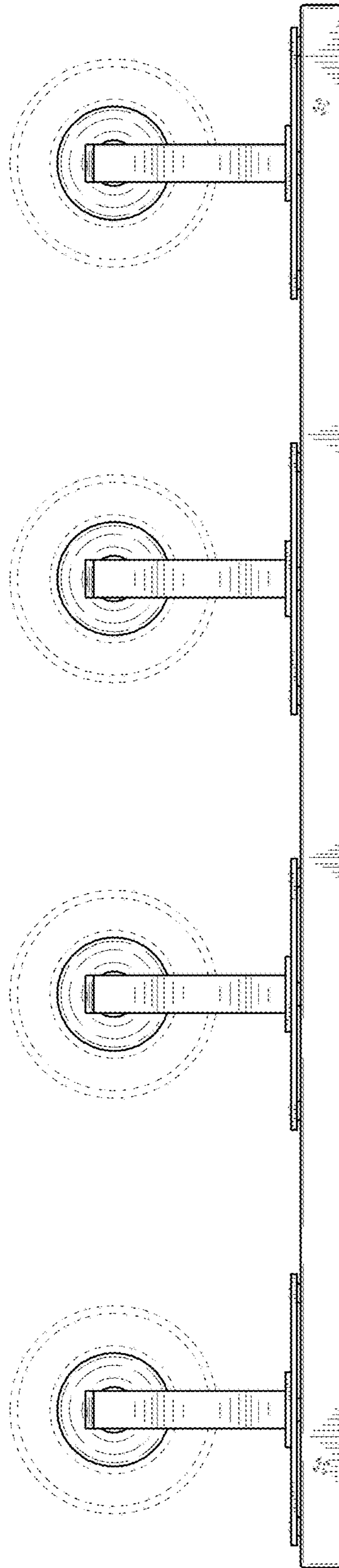


Fig. 28