



US00D845532S

(12) **United States Design Patent**
Zhu

(10) **Patent No.:** **US D845,532 S**

(45) **Date of Patent:** **** Apr. 9, 2019**

(54) **LIGHTING FIXTURE**

(71) Applicant: **WSD LED INC**, Dallas, TX (US)

(72) Inventor: **Changyong Zhu**, Dallas, TX (US)

(73) Assignee: **WSD LED, INC.**, Dallas, TX (US)

(**) Term: **15 Years**

(21) Appl. No.: **29/589,367**

(22) Filed: **Dec. 30, 2016**

(51) **LOC (11) Cl.** **26-05**

(52) **U.S. Cl.**

USPC **D26/72; D26/88**

(58) **Field of Classification Search**

USPC D10/111-115; D26/28, 35, 72, 74,
D26/79-81, 83, 85, 86, 88, 89, 91,
D26/118-124

CPC F21S 8/02; F21S 8/03; F21S 8/04; F21S
8/033; F21S 8/043; F21V 21/02; F21V
29/77; F21V 29/78; F21V 29/767

See application file for complete search history.

(56) **References Cited**

U.S. PATENT DOCUMENTS

D627,912 S *	11/2010	Mo	D26/119
D635,292 S *	3/2011	Chiang	D26/88
D650,513 S *	12/2011	Blincoe	D26/118
D687,585 S *	8/2013	Kim	D26/72
D688,405 S *	8/2013	Kim	D26/72
D688,408 S *	8/2013	Wung	D26/72
D702,867 S *	4/2014	Kim	D26/72
D704,883 S *	5/2014	Chen	D26/92
D784,597 S *	4/2017	Wilson	D26/88

D796,722 S *	9/2017	Zhu	D26/72
D811,642 S *	2/2018	Liang	D26/72
2012/0033419 A1 *	2/2012	Kim	F21S 8/026 362/235
2017/0153016 A1 *	6/2017	Lee	F21V 29/77

* cited by examiner

Primary Examiner — Kevin K Rudzinski

Assistant Examiner — Richard Kearney

(74) *Attorney, Agent, or Firm* — Jingjing Ye; Culhane Meadows, PLLC

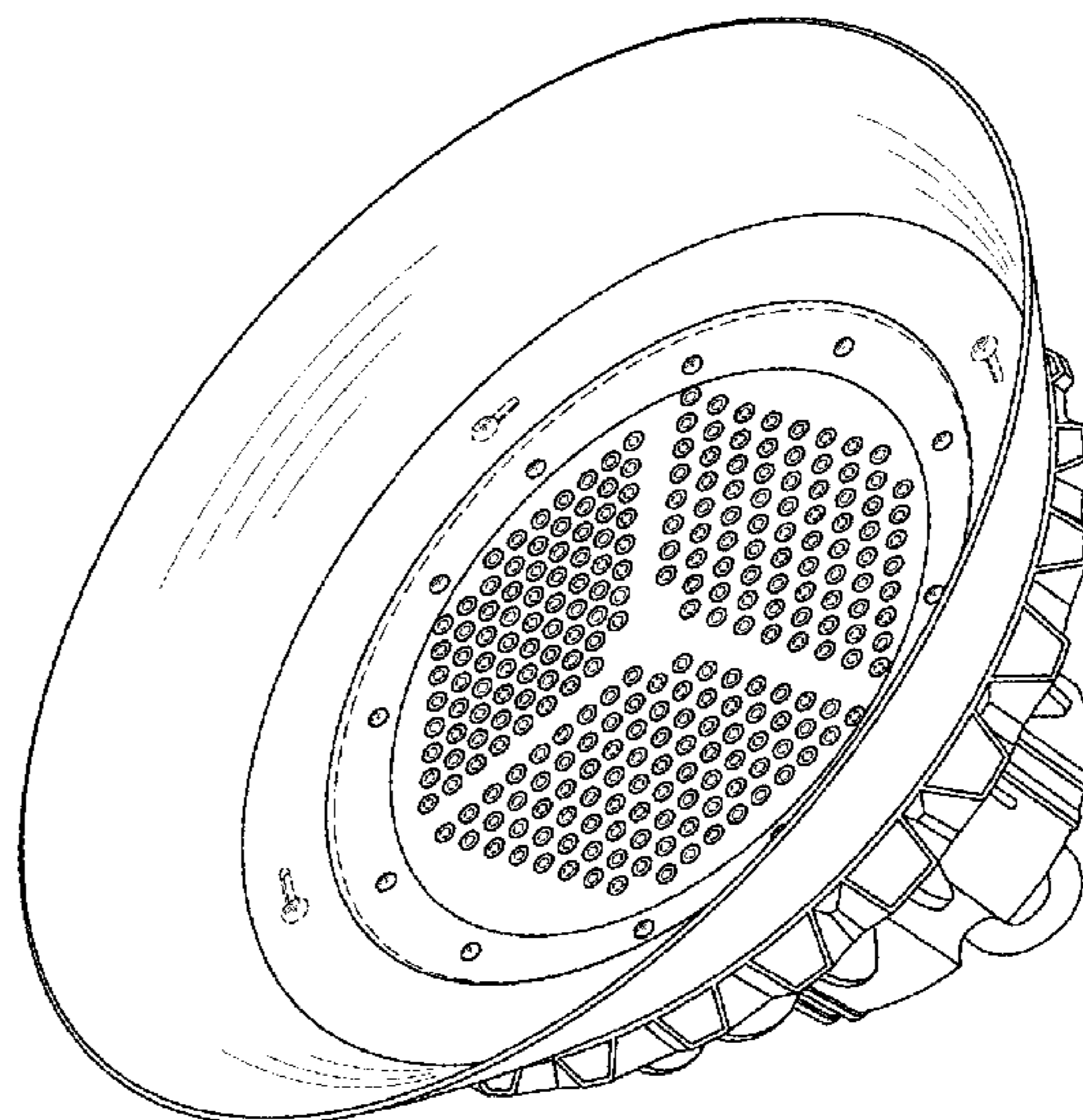
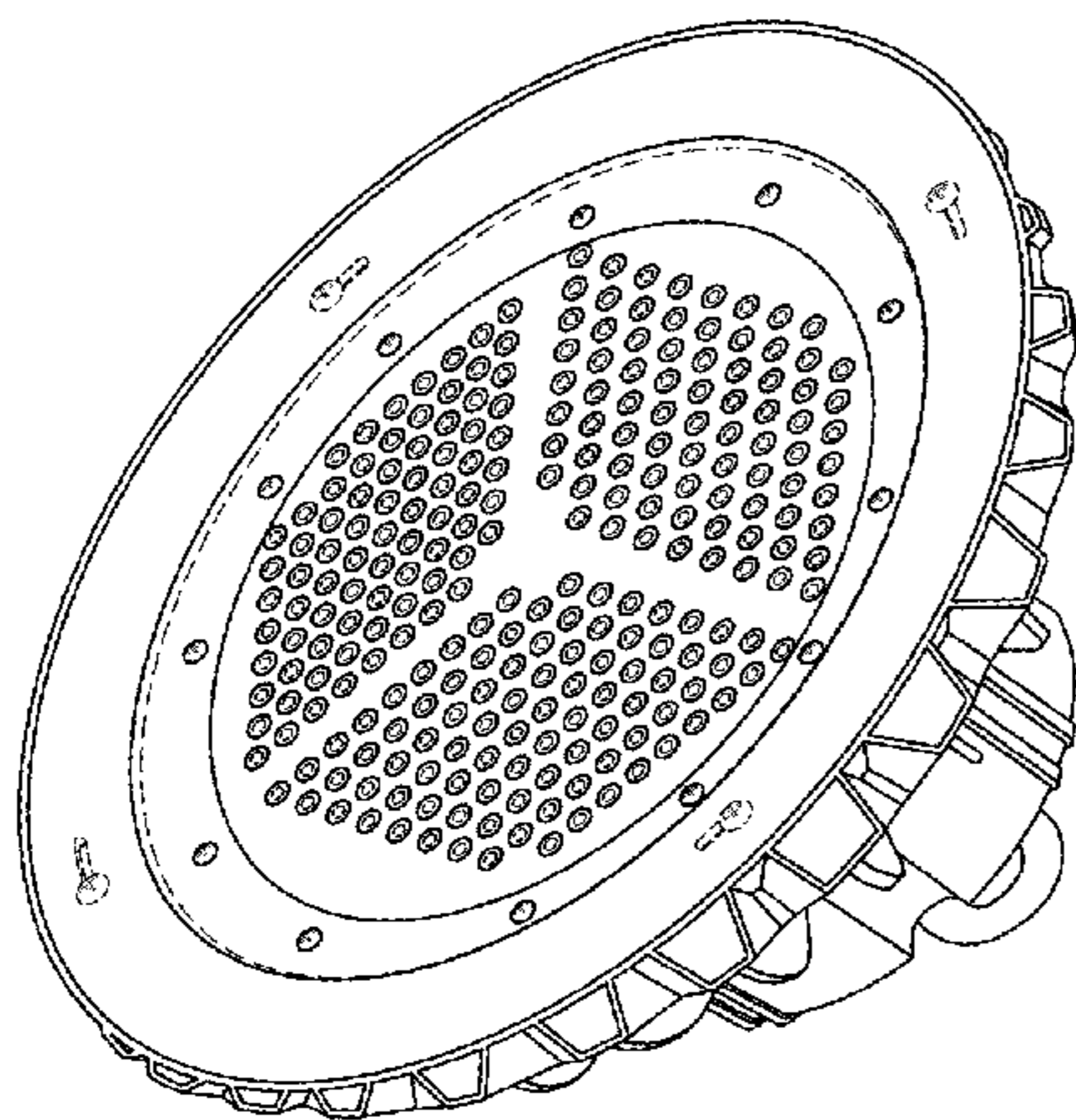
(57) **CLAIM**

The ornamental design for a lighting fixture, as shown and described.

DESCRIPTION

FIG. 1 is a bottom perspective view of a first embodiment of a lighting fixture, in accordance with the new design; FIG. 2 is a top perspective view of the first embodiment; FIG. 3 is a bottom plan view of the first embodiment; FIG. 4 is a top plan view of the first embodiment; FIG. 5 is a front elevational view of the first embodiment; FIG. 6 is a side elevational view of the first embodiment; FIG. 7 is a bottom perspective view of a second embodiment of the lighting fixture in accordance with the new design; FIG. 8 is a top perspective view of the second embodiment; FIG. 9 is a bottom plan view of the second embodiment; FIG. 10 is a top plan view of the second embodiment; FIG. 11 is a front elevational view of the second embodiment; and, FIG. 12 is a side elevational view of the second embodiment. The broken lines shown in the drawings illustrate portions of the lighting fixture that form no part of the claimed design.

1 Claim, 10 Drawing Sheets



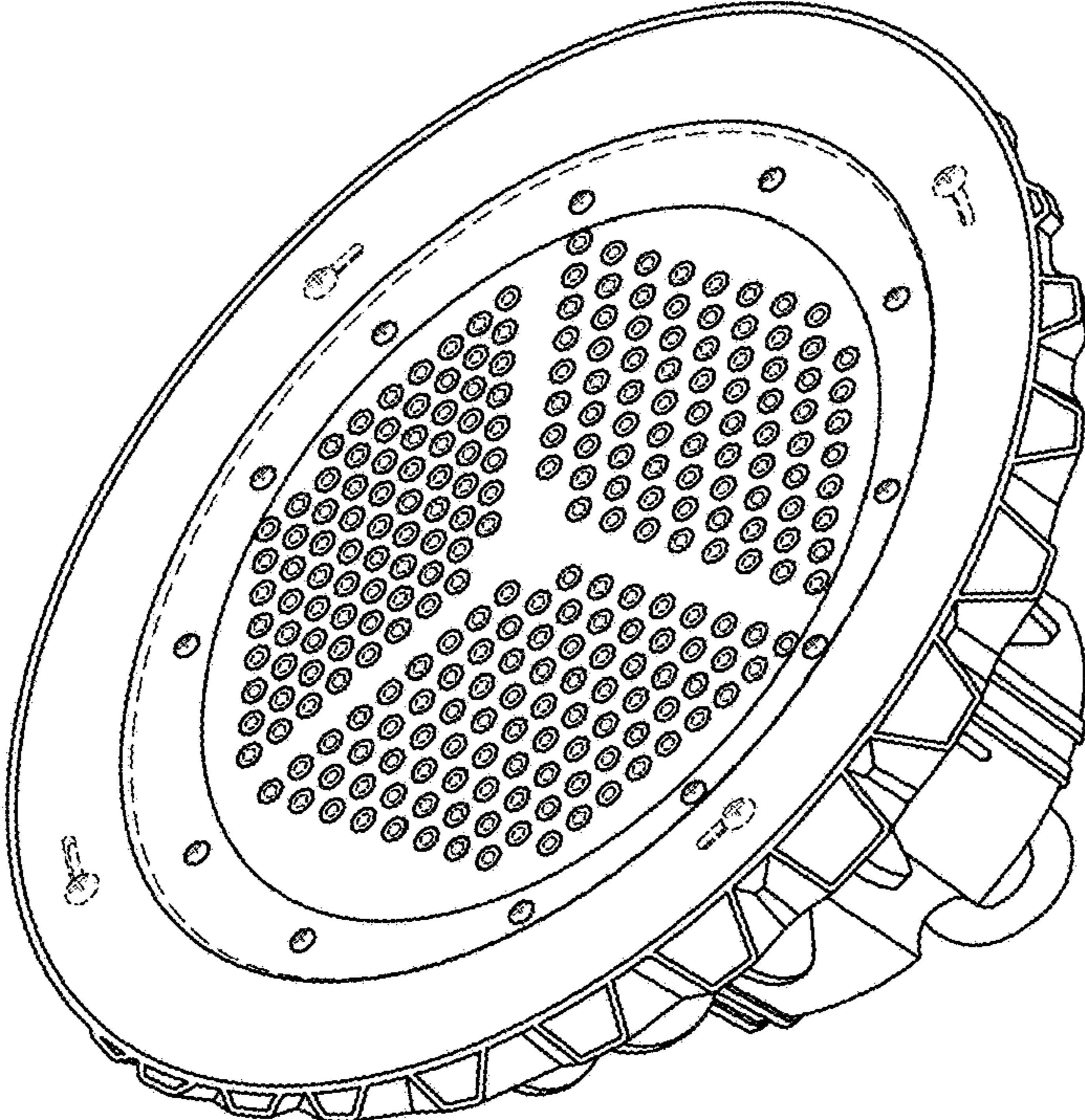


FIG. 1

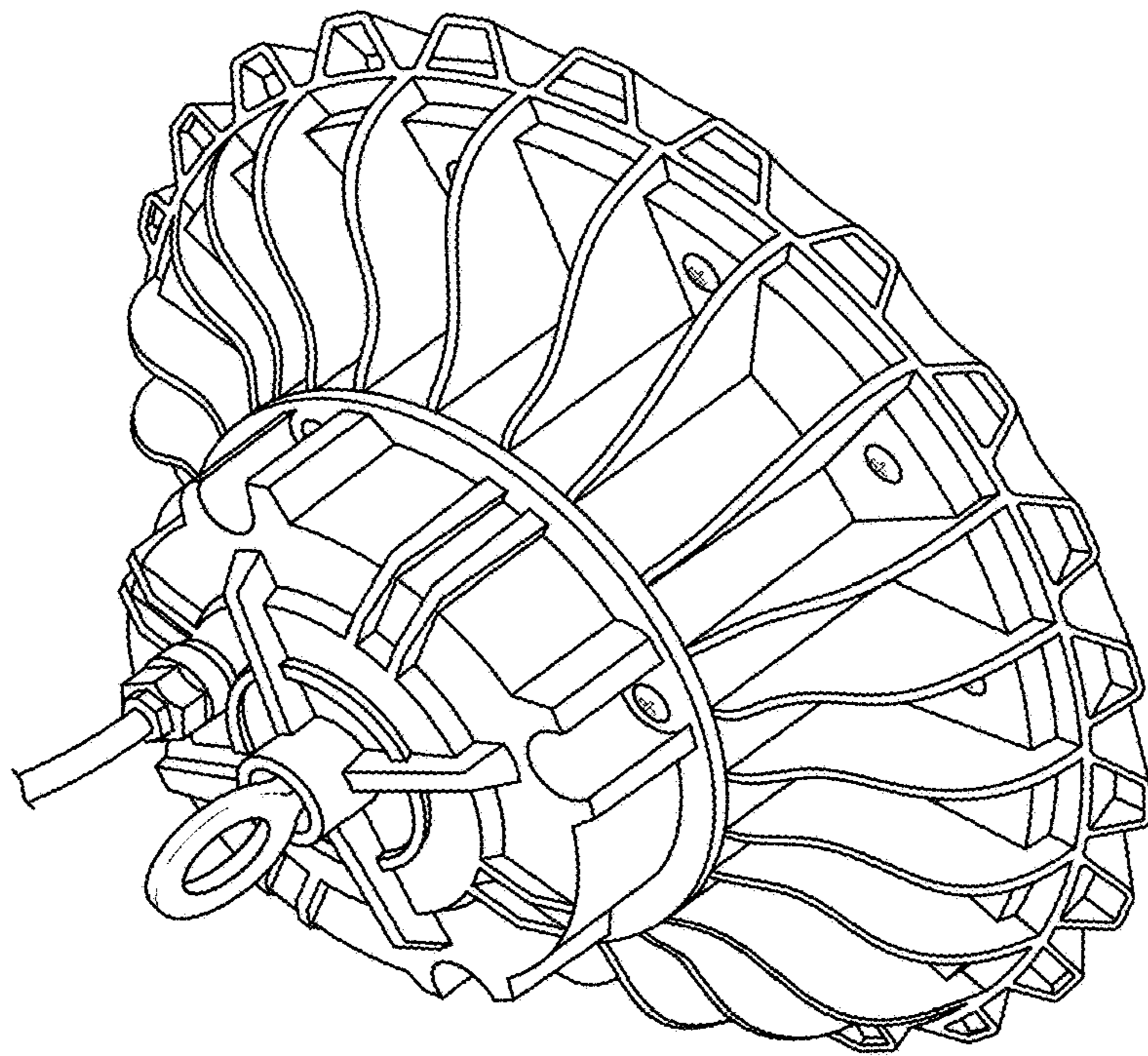


FIG. 2

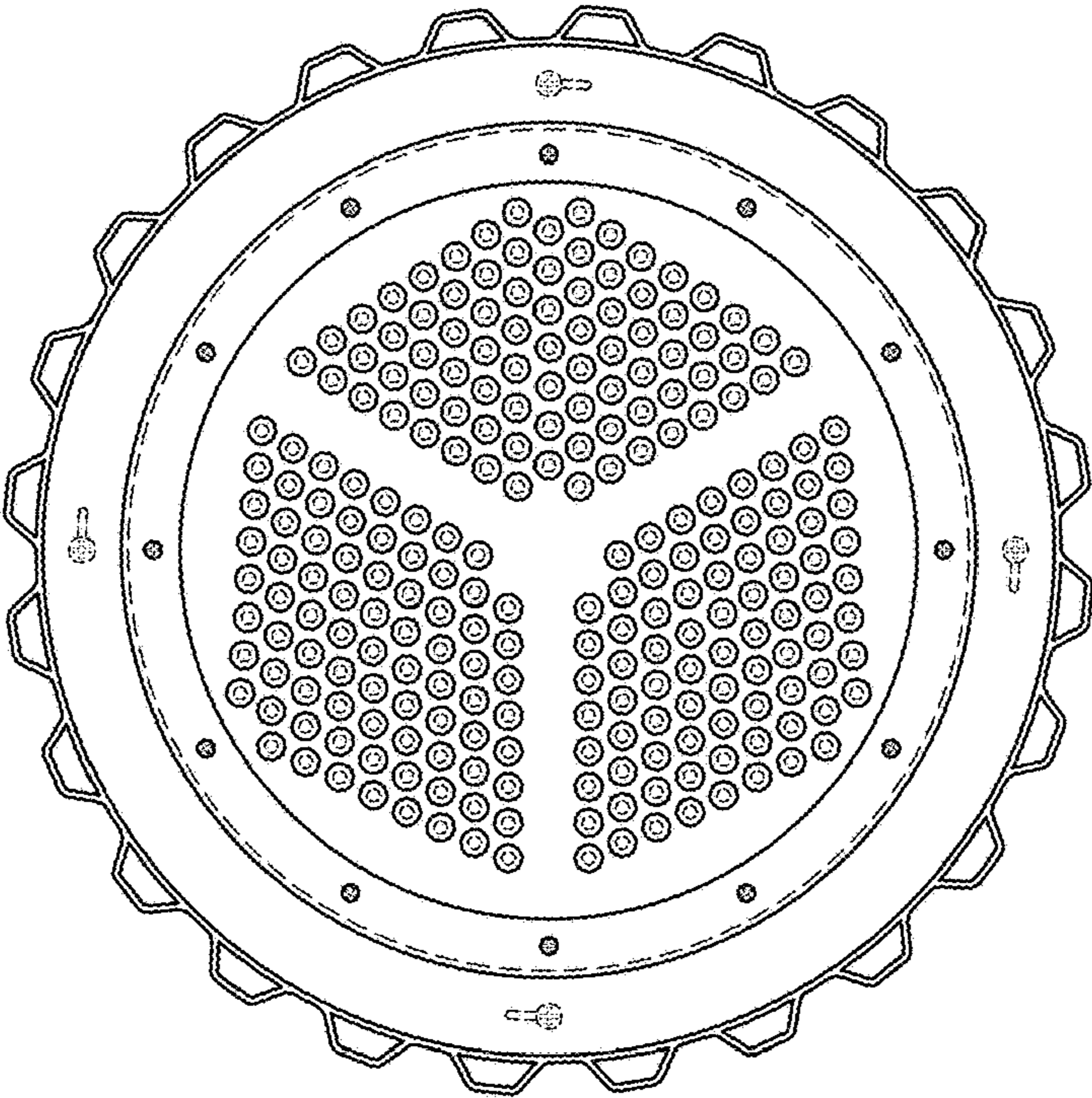


FIG. 3

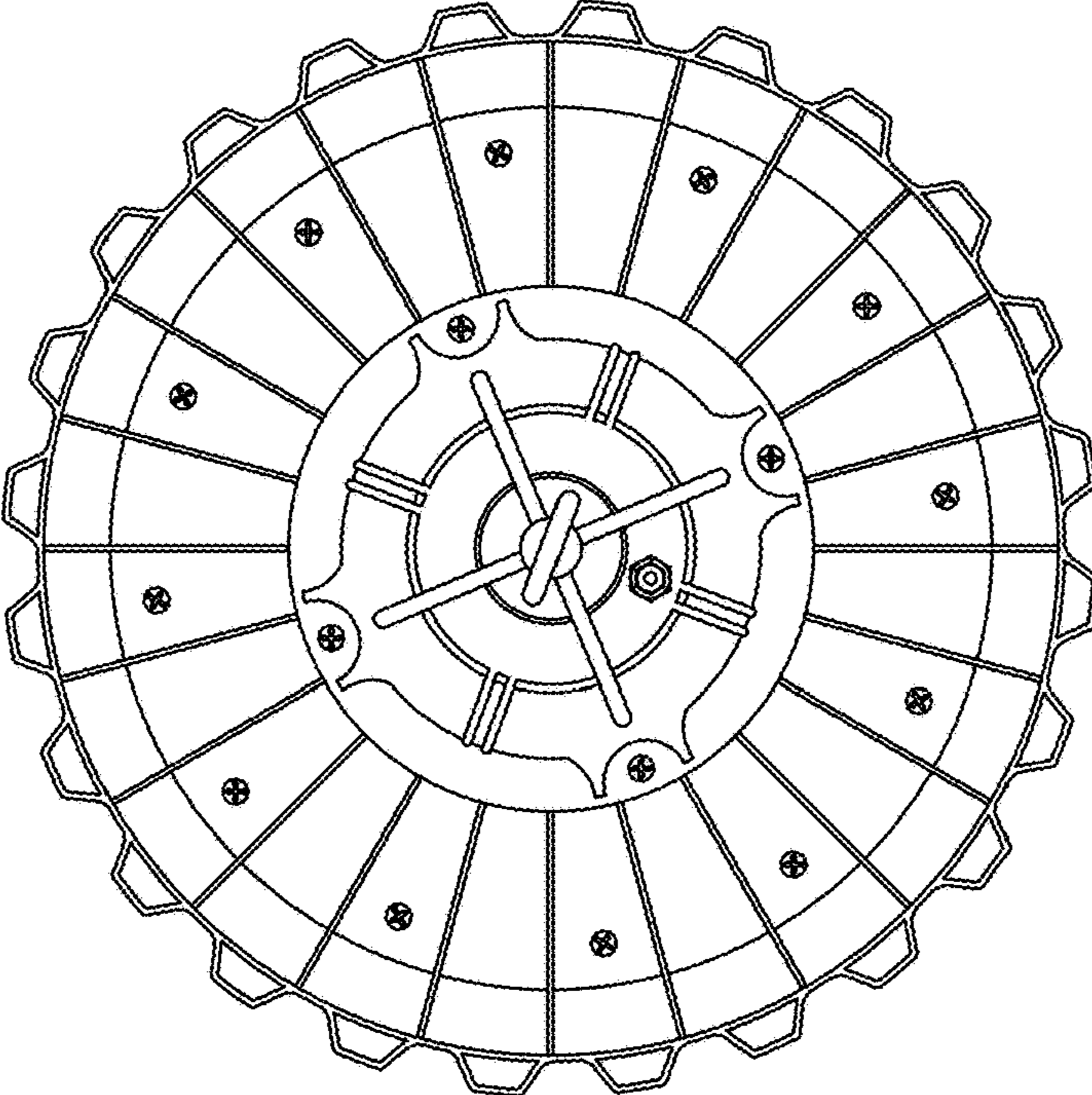


FIG. 4

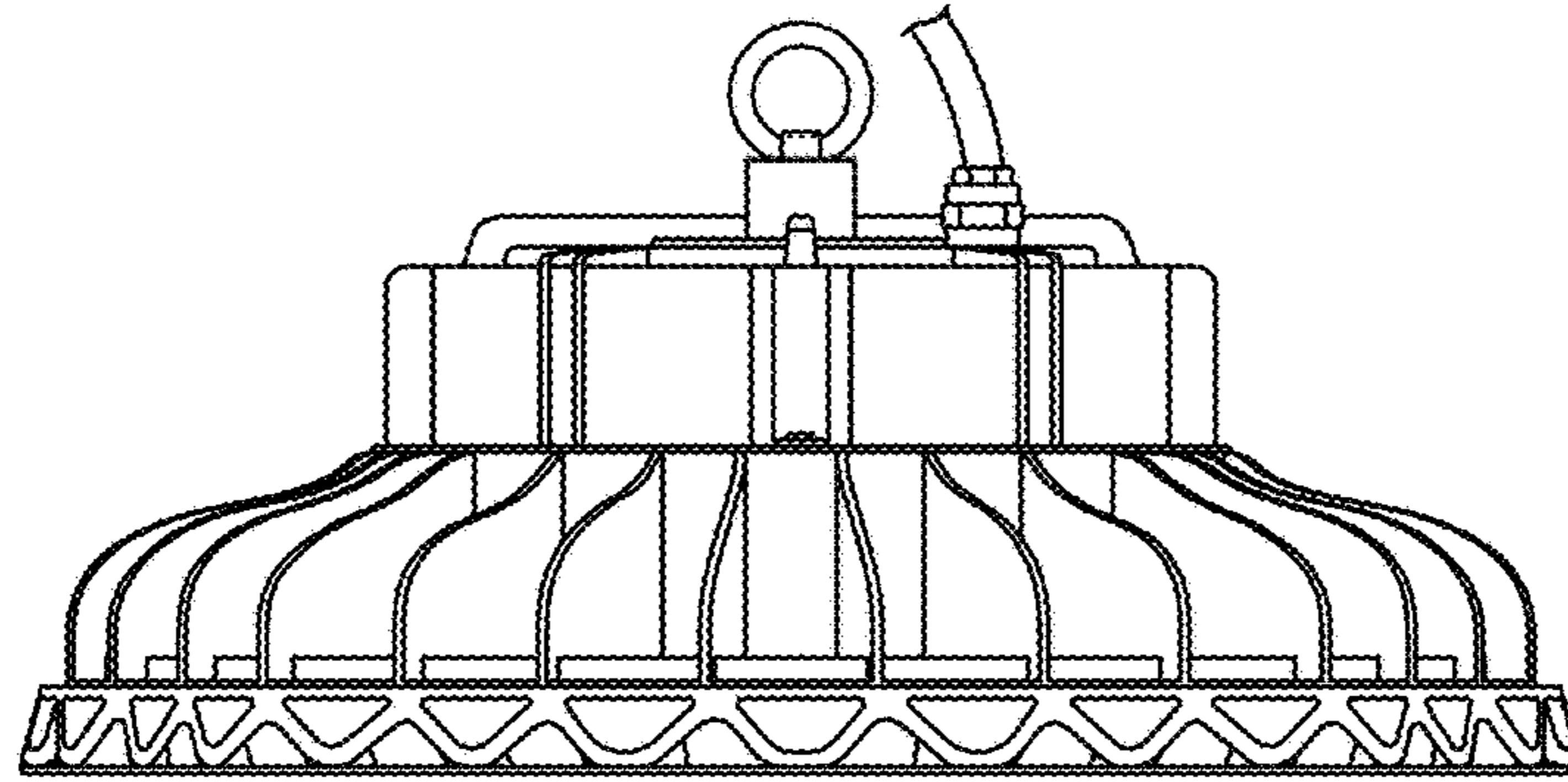


FIG. 5

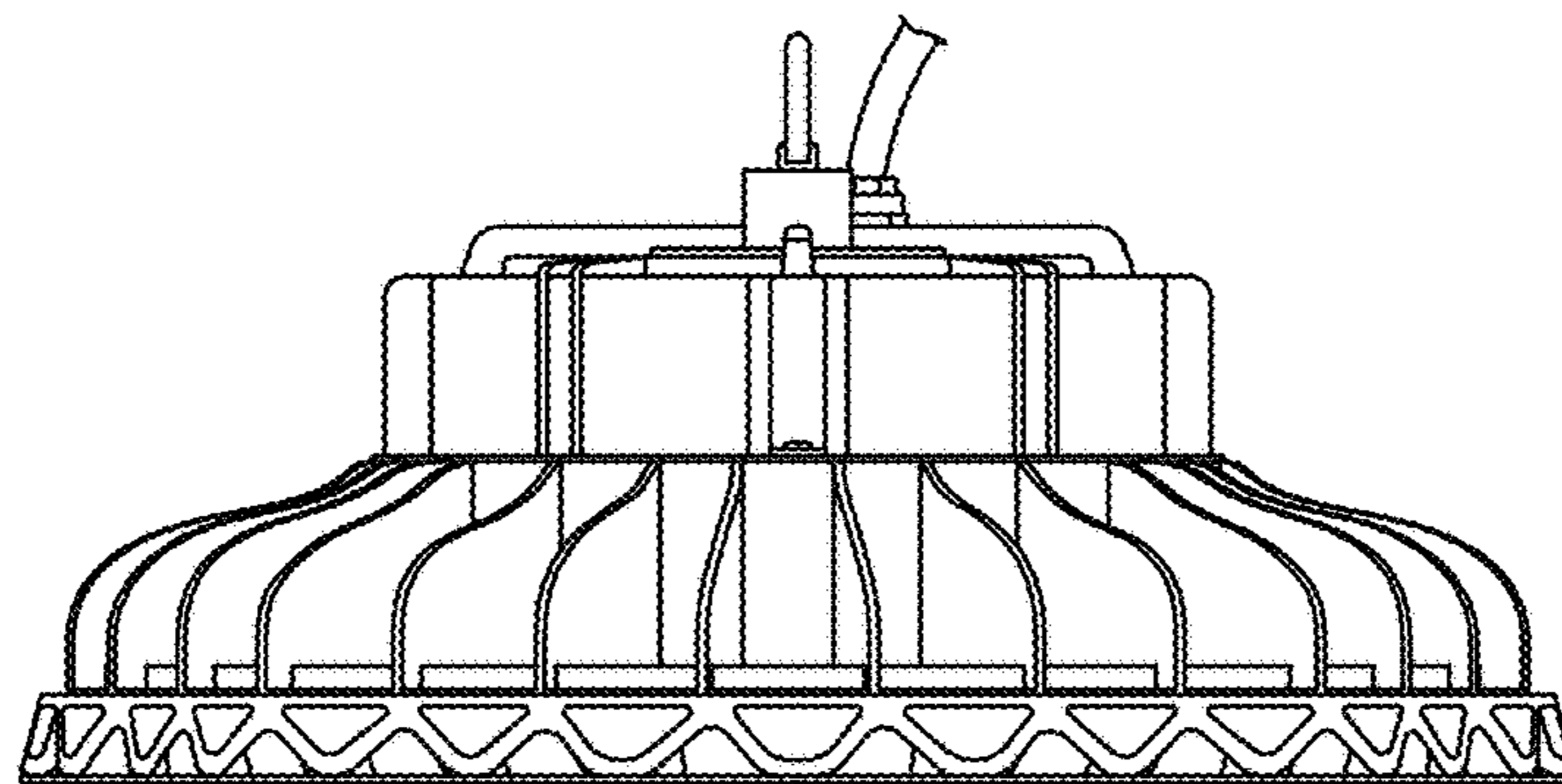


FIG. 6

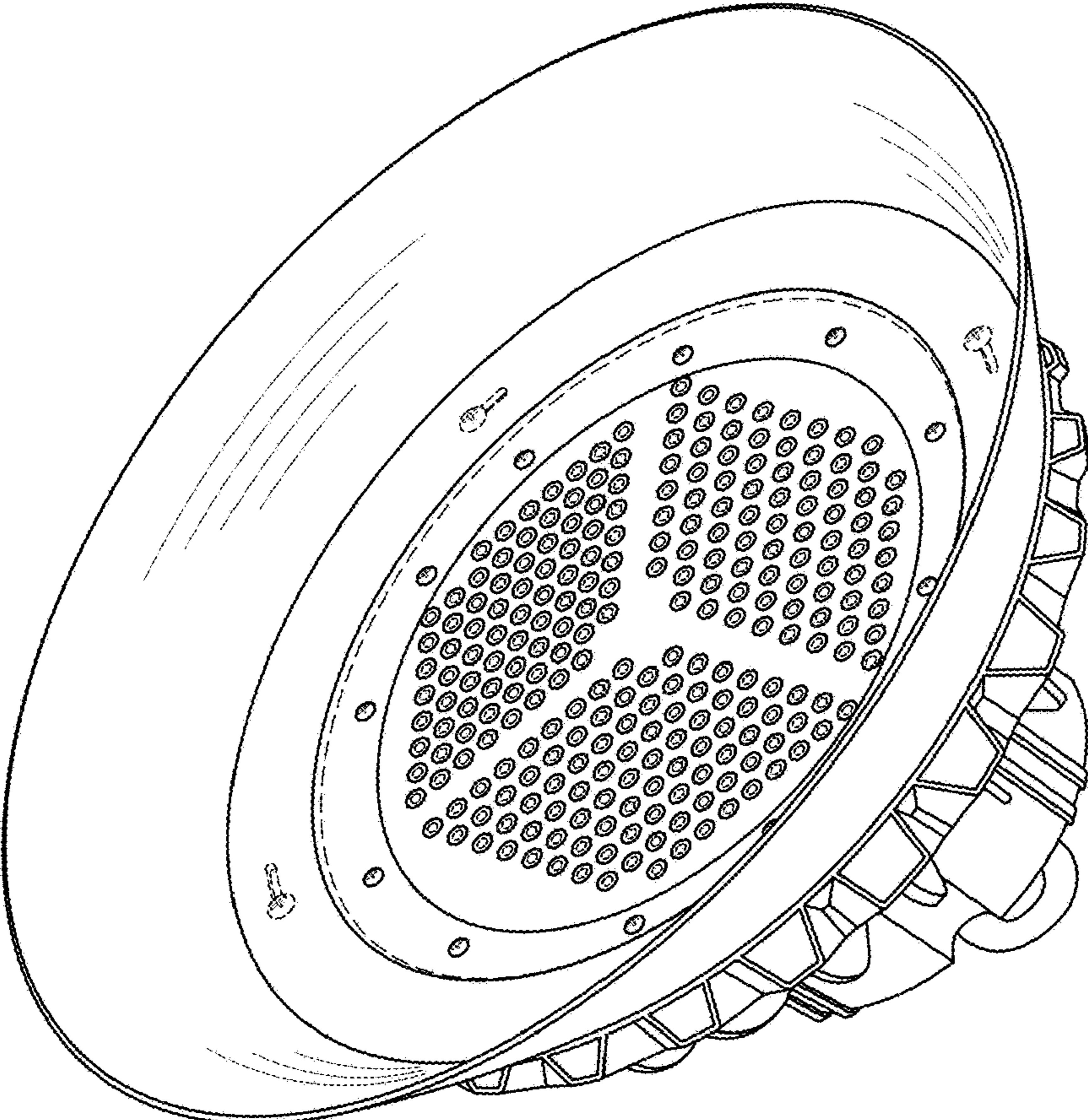


FIG. 7

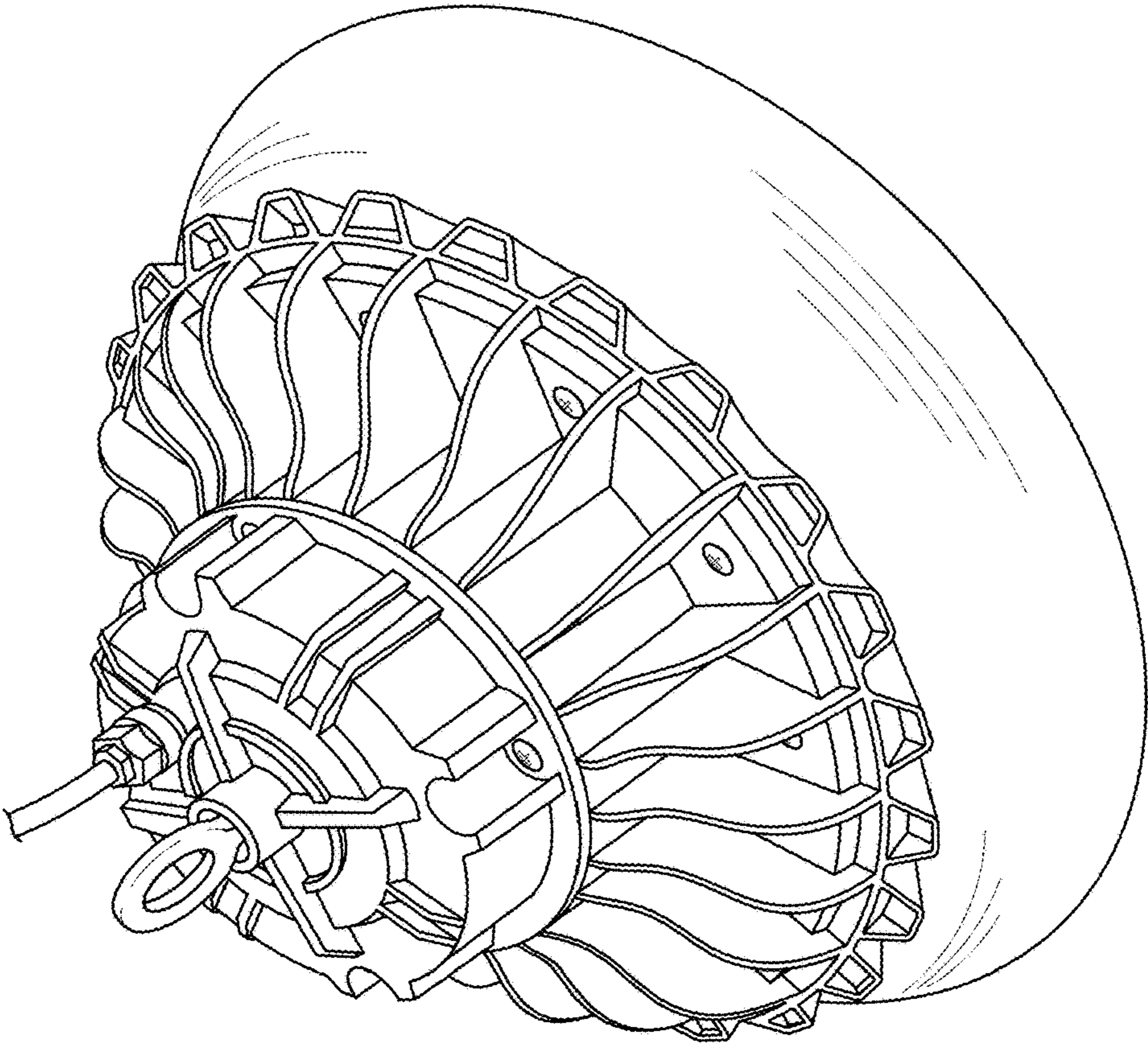


FIG. 8

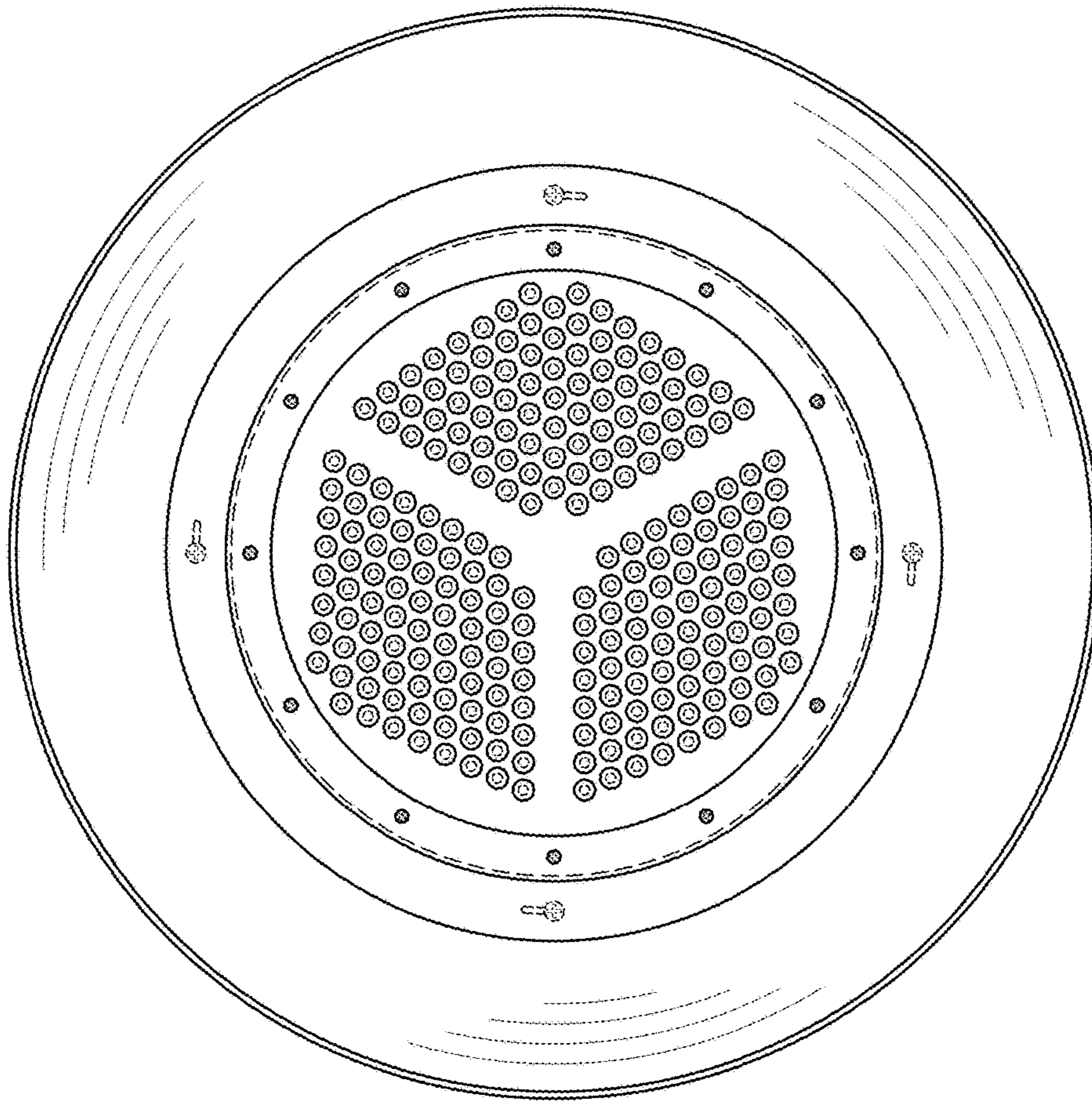


FIG. 9

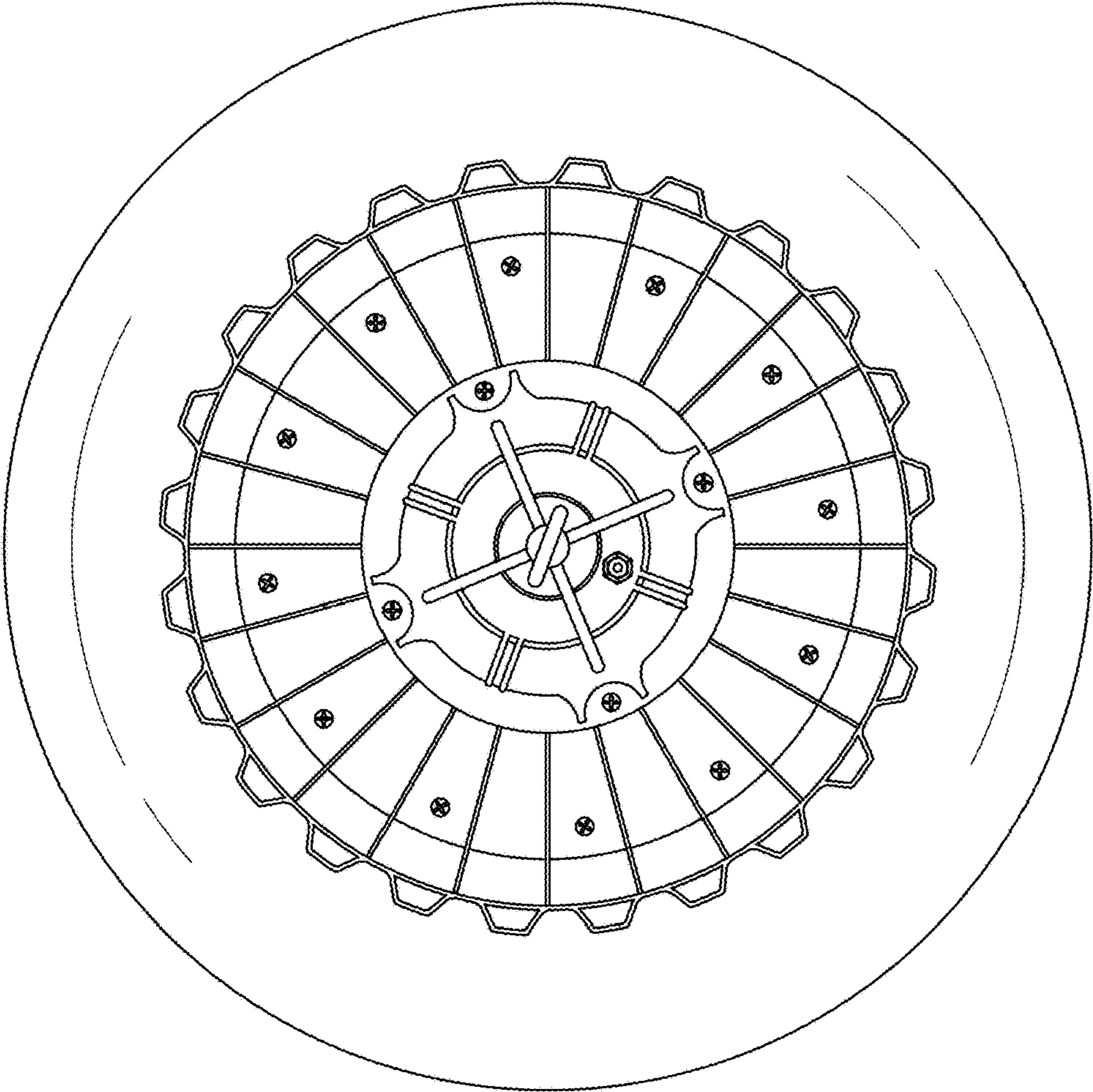


FIG. 10

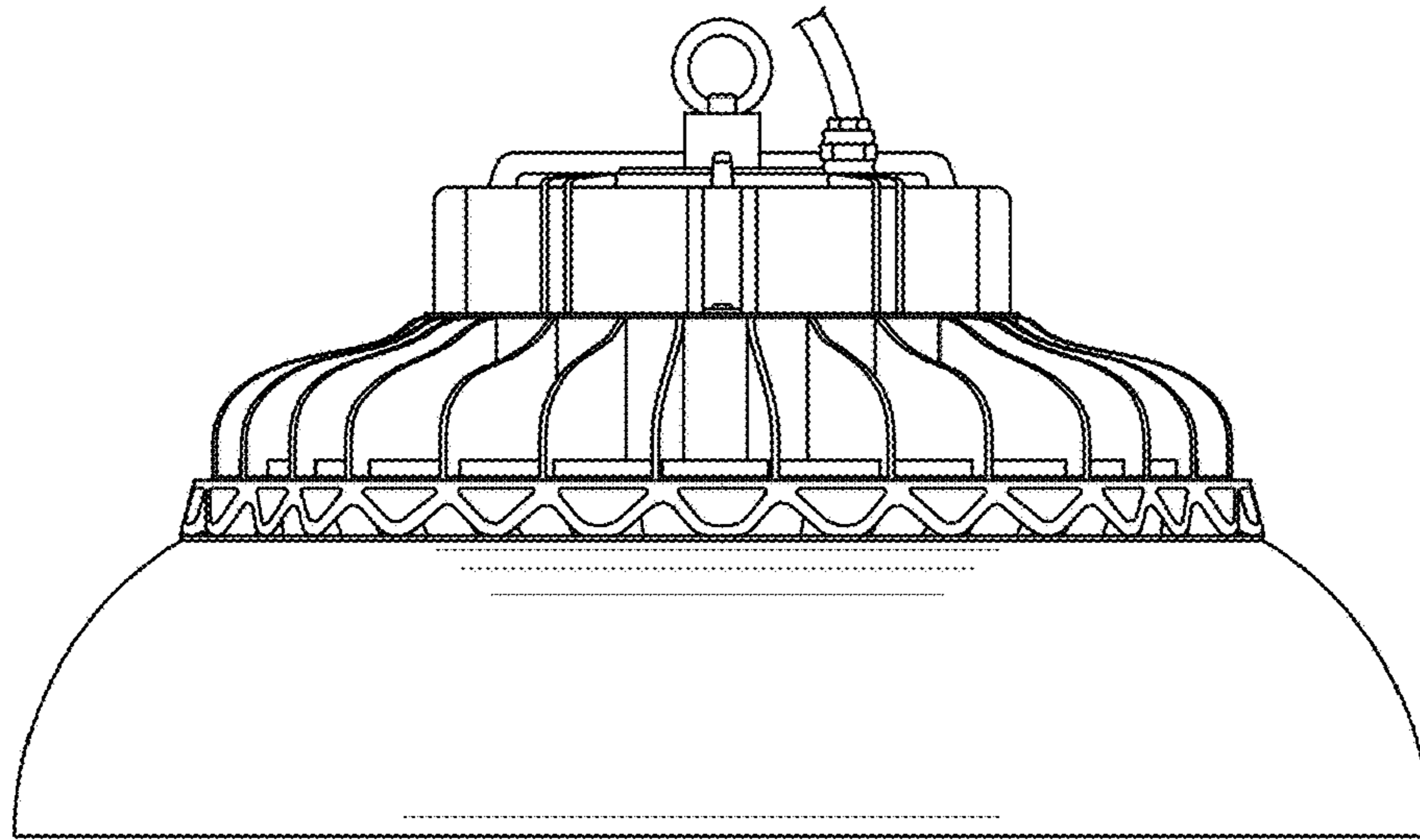


FIG. 11

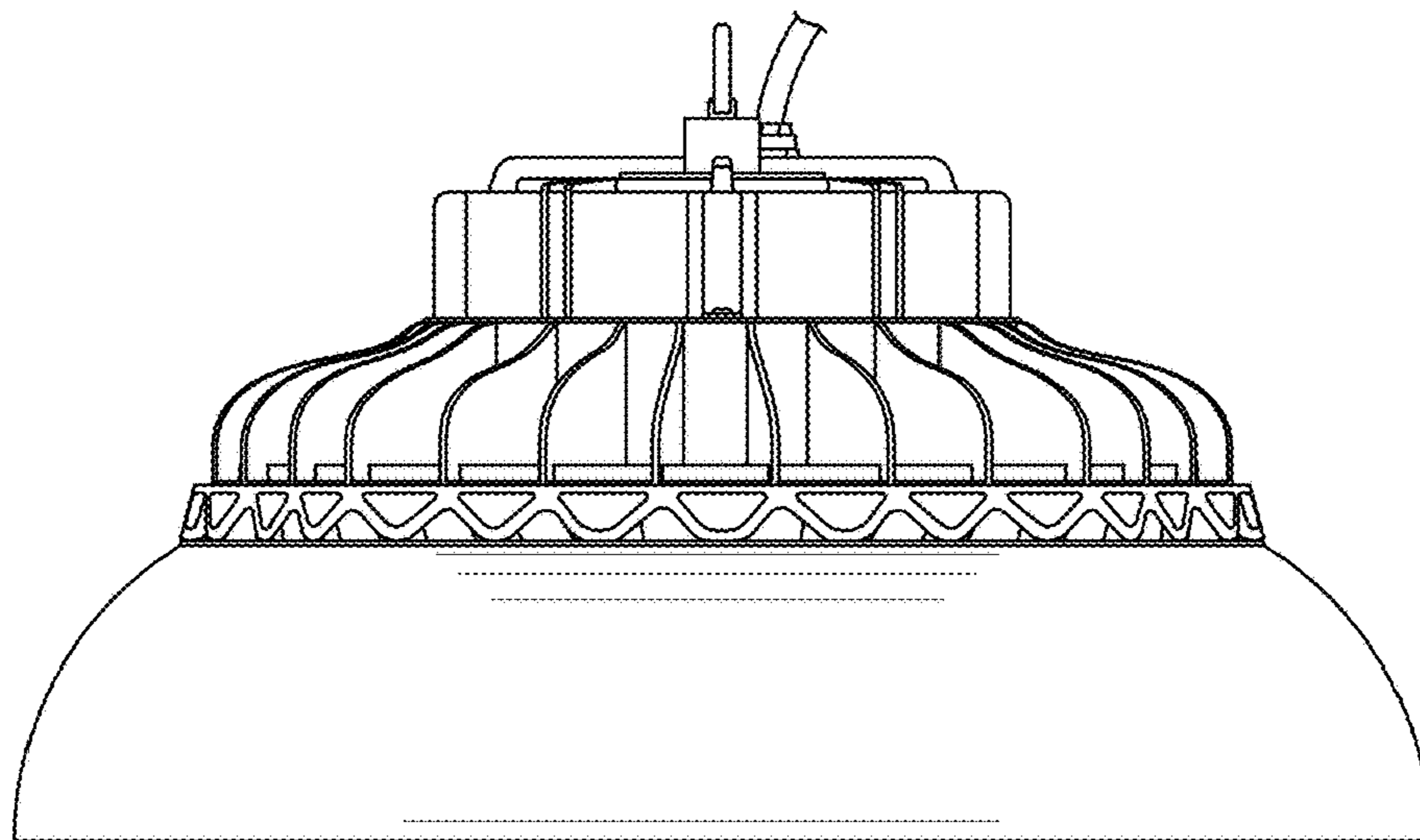


FIG. 12